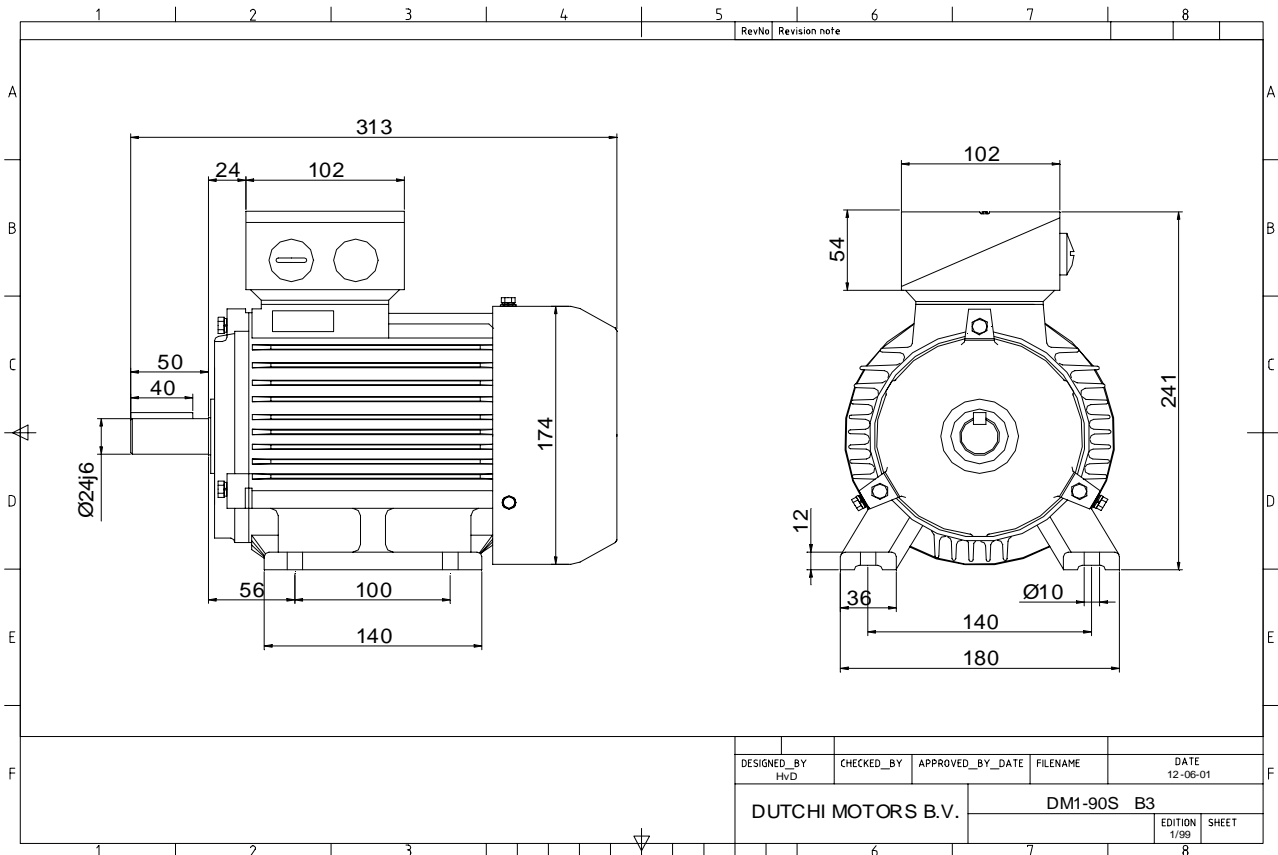


Power is our commodity, the world is our market !



Specification **IEC 60034-1**
 Manufacturer **Dutchi Motors B.V.**
 Motor type **DM1- 90 S8**
 Rated power **0,37** kW **S1** duty
 Speed **700** r.p.m
 Voltage **230 / 400** V
 Frequency **50** Hz
 Connection **Δ / Y**
 Amps full load **2,41 / 1,39** A
 Amps no-load(400V) **1,20** A
 Enclosure **IP 55**
 Insulation Class **F (temp. rise B (80 K))**

Max. coolant temp. **40°C**
 Max. altitude **1.000** mtr, above sea level
 Comment **3 x PTC 150°C**
 Cable entries **2 x M25x1,5 + 1 x M16x1,5 (ptc)**

Feature **Cast-iron motor**
 Weight **24,0** kg
 Catalog no. **11128037D**
 Warranty **12~18 months**

Efficiency class **N/A**
 Load data 100% 75% 50% 25%
 Efficiency **64,7 61,2 51,4 32,7** %
 Power factor **0,59 0,51 0,39 0,27**

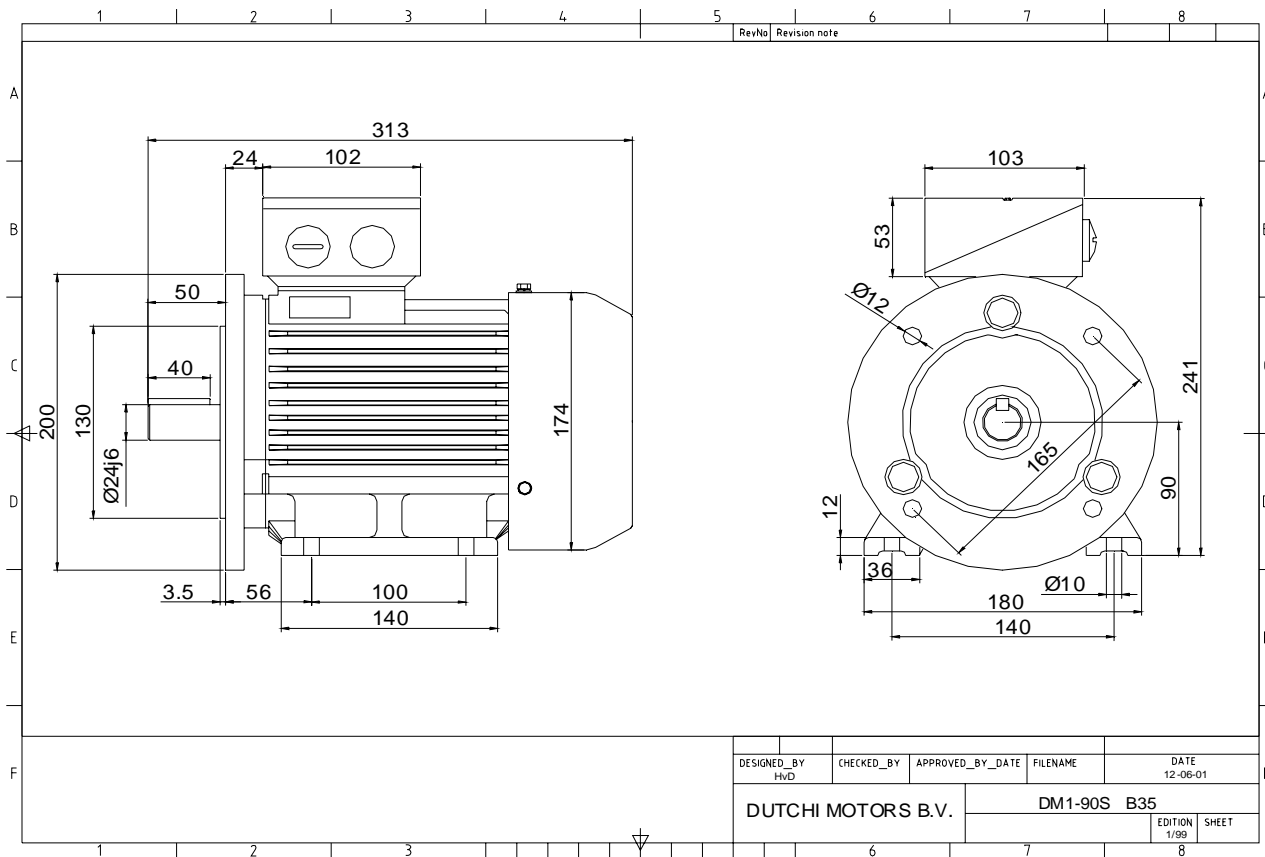
Sound pressure level (1m) **46,3** dB(A)
 Resistance R20 (open) **15,76** Ω
 Resistance R20 **Y 31,53** Ω

Full load torque **5,05** Nm
 DOL Starting torque vs FL torque **2,26**
 DOL Pull up torque vs FL torque **1,65**
 DOL Pull out torque vs FL torque **3,14**
 Star-Delta Starting torque vs FL torque **Y - motor**
 Star-Delta Pull up torque vs FL torque **Y - motor**
 Star-Delta Pull out torque vs FL torque **Y - motor**
 DOL Starting current vs FL current **3,50**
 Star Delta Starting current vs FL current **Y - motor**
 Rotor Inertia **0,0029** kgm²

Bearing DE **6205 - ZZ**
 Bearing NDE **6205 - ZZ**

WI	Change	date	sign.
Dutchi Motors B.V. P.O. Box 5390 NL-6802 EJ ARNHEM Tel : +31-(0)26 - 3541 600 Fax : +31-(0)26 - 3541 650		Discription	date
		Drawing made by :	19-04-04
		dutchi.motors@dutchi.nl www.dutchi.com	

Power is our commodity, the world is our market !

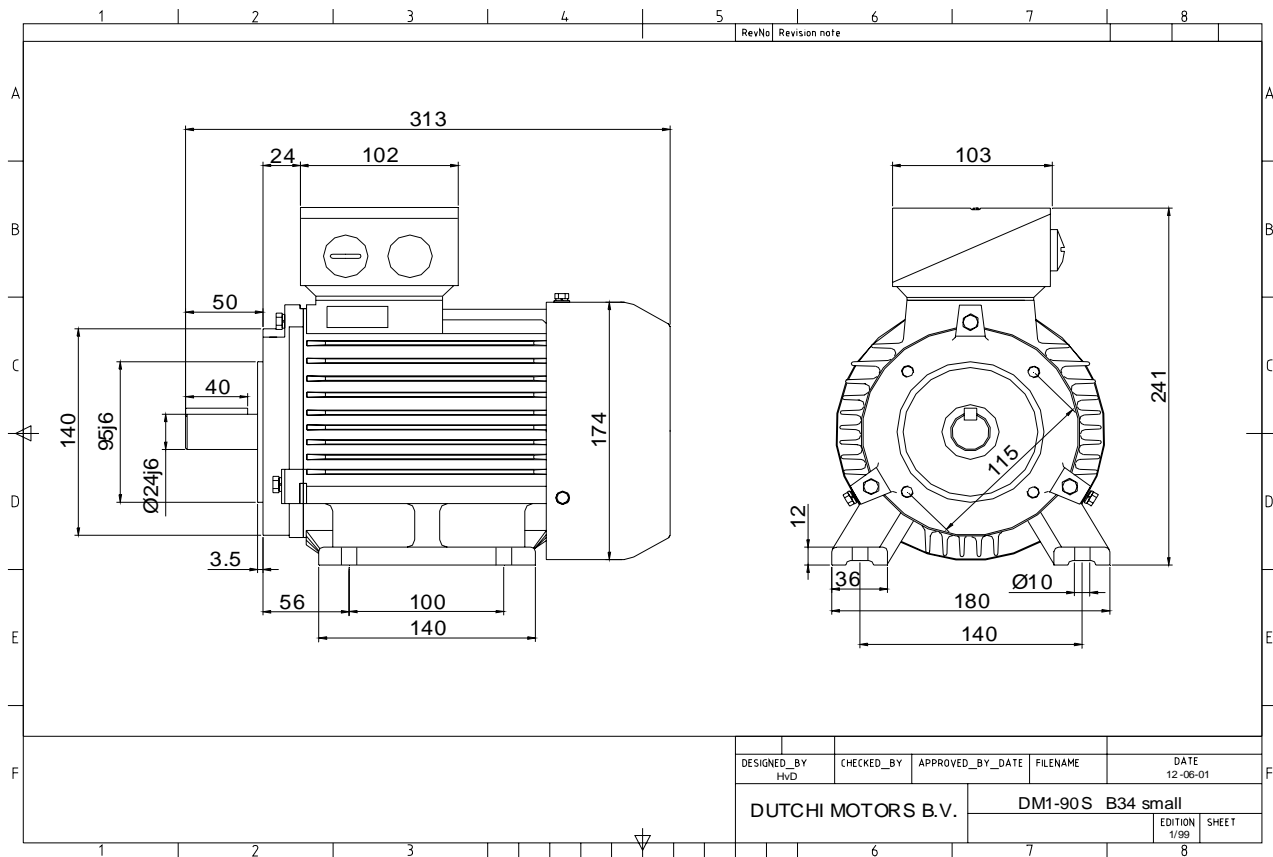


Specification	IEC 60034-1
Manufacturer	Dutchi Motors B.V.
Motor type	DM1- 90 S8
Rated power	0,37 kW S1 duty
Speed	700 r.p.m
Voltage	230 / 400 V
Frequency	50 Hz
Connection	Δ / Y
Amps full load	2,41 / 1,39 A
Amps no-load(400V)	1,20 A
Enclosure	IP 55
Insulation Class	F (temp. rise B (80 K))
Max. coolant temp.	40°C
Max. altitude	1.000 mtr, above sea level
Comment	3 x PTC 150°C
Cable entries	2 x M25x1,5 + 1 x M16x1,5 (ptc)
Feature	Cast-iron motor
Weight	24,0 kg
Catalog no.	11528037D
Warranty	12~18 months

Efficiency class	N/A			
Load data	100%	75%	50%	25%
Efficiency	64,7	61,2	51,4	32,7 %
Power factor	0,59	0,51	0,39	0,27
Sound pressure level (1m)				46,3 dB(A)
Resistance R20 (open)				15,76 Ω
Resistance R20	Y		31,53	Ω
Full load torque				5,05 Nm
DOL Starting torque vs FL torque				2,26
DOL Pull up torque vs FL torque				1,65
DOL Pull out torque vs FL torque				3,14
Star-Delta Starting torque vs FL torque				Y - motor
Star-Delta Pull up torque vs FL torque				Y - motor
Star-Delta Pull out torque vs FL torque				Y - motor
DOL Starting current vs FL current				3,50
Star Delta Starting current vs FL current				Y - motor
Rotor Inertia				0,0029 kgm ²
Bearing DE				6205 - ZZ
Bearing NDE				6205 - ZZ

WI	Change	date	sign.
Dutchi Motors B.V. P.O. Box 5390 NL-6802 EJ ARNHEM Tel : +31-(0)26 - 3541 600 Fax : +31-(0)26 - 3541 650		Description	date
		Drawing made by :	19-04-04
		dutchi.motors@dutchi.nl www.dutchi.com	

Power is our commodity, the world is our market !



Specification **IEC 60034-1**
 Manufacturer **Dutchi Motors B.V.**
 Motor type **DM1- 90 S8**
 Rated power **0,37** kW **S1** duty
 Speed **700** r.p.m
 Voltage **230 / 400** V
 Frequency **50** Hz
 Connection **Δ / Y**
 Amps full load **2,41 / 1,39** A
 Amps no-load(400V) **1,20** A
 Enclosure **IP 55**
 Insulation Class **F (temp. rise B (80 K))**

Max. coolant temp. **40°C**
 Max. altitude **1.000** mtr, above sea level
 Comment **3 x PTC 150°C**
 Cable entries **2 x M25x1,5 + 1 x M16x1,5 (ptc)**

Feature **Cast-iron motor**
 Weight **24,0** kg
 Catalog no. **11628037D**
 Warranty **12~18 months**

Efficiency class **N/A**
 Load data 100% 75% 50% 25%
 Efficiency **64,7 61,2 51,4 32,7** %
 Power factor **0,59 0,51 0,39 0,27**

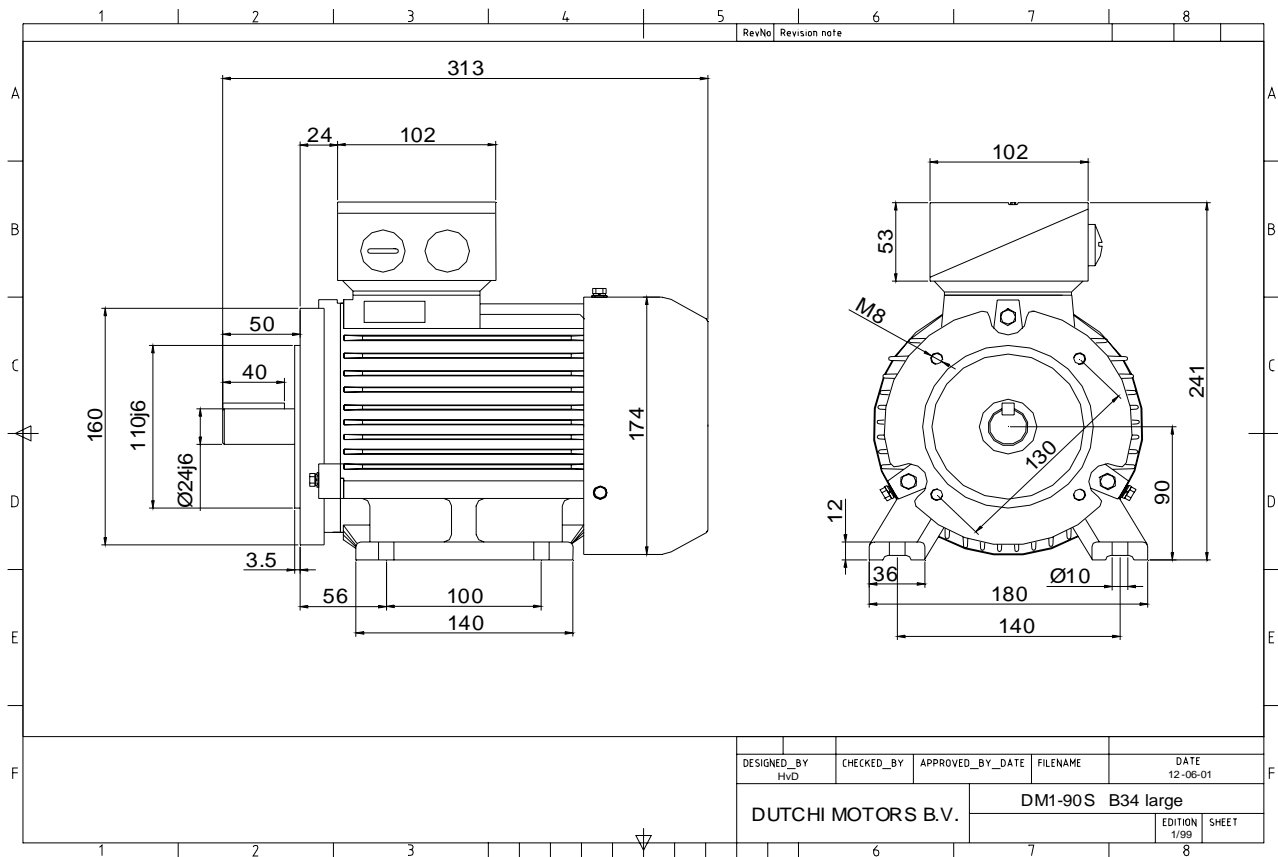
Sound pressure level (1m) **46,3** dB(A)
 Resistance R20 (open) **15,76** Ω
 Resistance R20 **Y 31,53** Ω

Full load torque **5,05** Nm
 DOL Starting torque vs FL torque **2,26**
 DOL Pull up torque vs FL torque **1,65**
 DOL Pull out torque vs FL torque **3,14**
 Star-Delta Starting torque vs FL torque **Y - motor**
 Star-Delta Pull up torque vs FL torque **Y - motor**
 Star-Delta Pull out torque vs FL torque **Y - motor**
 DOL Starting current vs FL current **3,50**
 Star Delta Starting current vs FL current **Y - motor**
 Rotor Inertia **0,0029** kgm²

Bearing DE **6205 - ZZ**
 Bearing NDE **6205 - ZZ**

WI	Change	date	sign.
Dutchi Motors B.V. P.O. Box 5390 NL-6802 EJ ARNHEM Tel : +31-(0)26 - 3541 600 Fax : +31-(0)26 - 3541 650		Discription	date
		Drawing made by :	19-04-04
dutchi.motors@dutchi.nl www.dutchi.com		sign.	HvD

Power is our commodity, the world is our market !



Specification **IEC 60034-1**
 Manufacturer **Dutchi Motors B.V.**
 Motor type **DM1- 90 S8**
 Rated power **0,37** kW **S1** duty
 Speed **700** r.p.m
 Voltage **230 / 400** V
 Frequency **50** Hz
 Connection **Δ / Y**
 Amps full load **2,41 / 1,39** A
 Amps no-load(400V) **1,20** A
 Enclosure **IP 55**
 Insulation Class **F (temp. rise B (80 K))**

Max. coolant temp. **40°C**
 Max. altitude **1.000** mtr, above sea level
 Comment **3 x PTC 150°C**
 Cable entries **2 x M25x1,5 + 1 x M16x1,5 (ptc)**

Feature **Cast-iron motor**
 Weight **24,0** kg
 Catalog no. **11728037D**
 Warranty **12~18 months**

Efficiency class **N/A**
 Load data 100% 75% 50% 25%
 Efficiency **64,7 61,2 51,4 32,7** %
 Power factor **0,59 0,51 0,39 0,27**

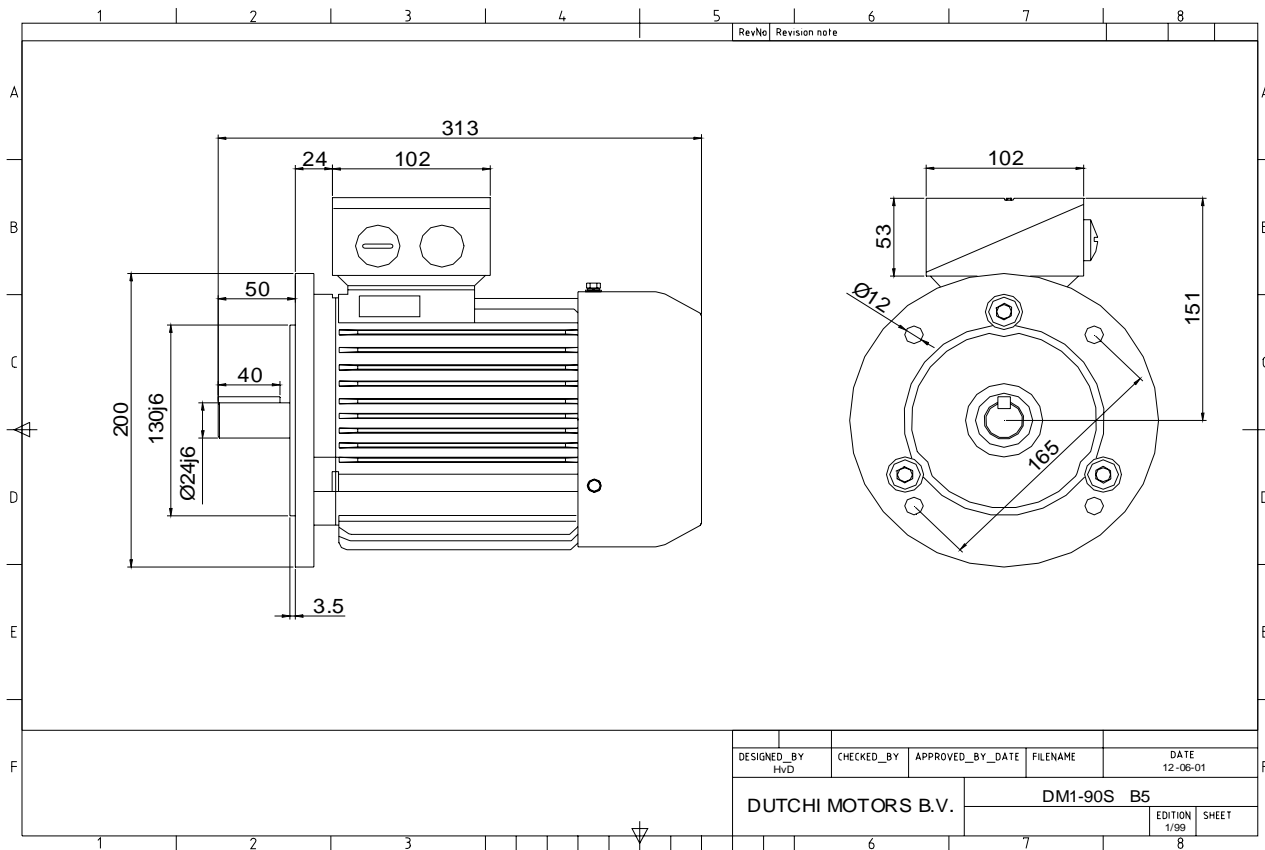
Sound pressure level (1m) **46,3** dB(A)
 Resistance R20 (open) **15,76** Ω
 Resistance R20 **Y 31,53** Ω

Full load torque **5,05** Nm
 DOL Starting torque vs FL torque **2,26**
 DOL Pull up torque vs FL torque **1,65**
 DOL Pull out torque vs FL torque **3,14**
 Star-Delta Starting torque vs FL torque **Y - motor**
 Star-Delta Pull up torque vs FL torque **Y - motor**
 Star-Delta Pull out torque vs FL torque **Y - motor**
 DOL Starting current vs FL current **3,50**
 Star Delta Starting current vs FL current **Y - motor**
 Rotor Inertia **0,0029** kgm2

Bearing DE **6205 - ZZ**
 Bearing NDE **6205 - ZZ**

WI	Change	date	sign.
Dutchi Motors B.V. P.O. Box 5390 NL-6802 EJ ARNHEM Tel : +31-(0)26 - 3541 600 Fax : +31-(0)26 - 3541 650		Description	date
		Drawing made by :	19-04-04
		dutchi.motors@dutchi.nl www.dutchi.com	

Power is our commodity, the world is our market !

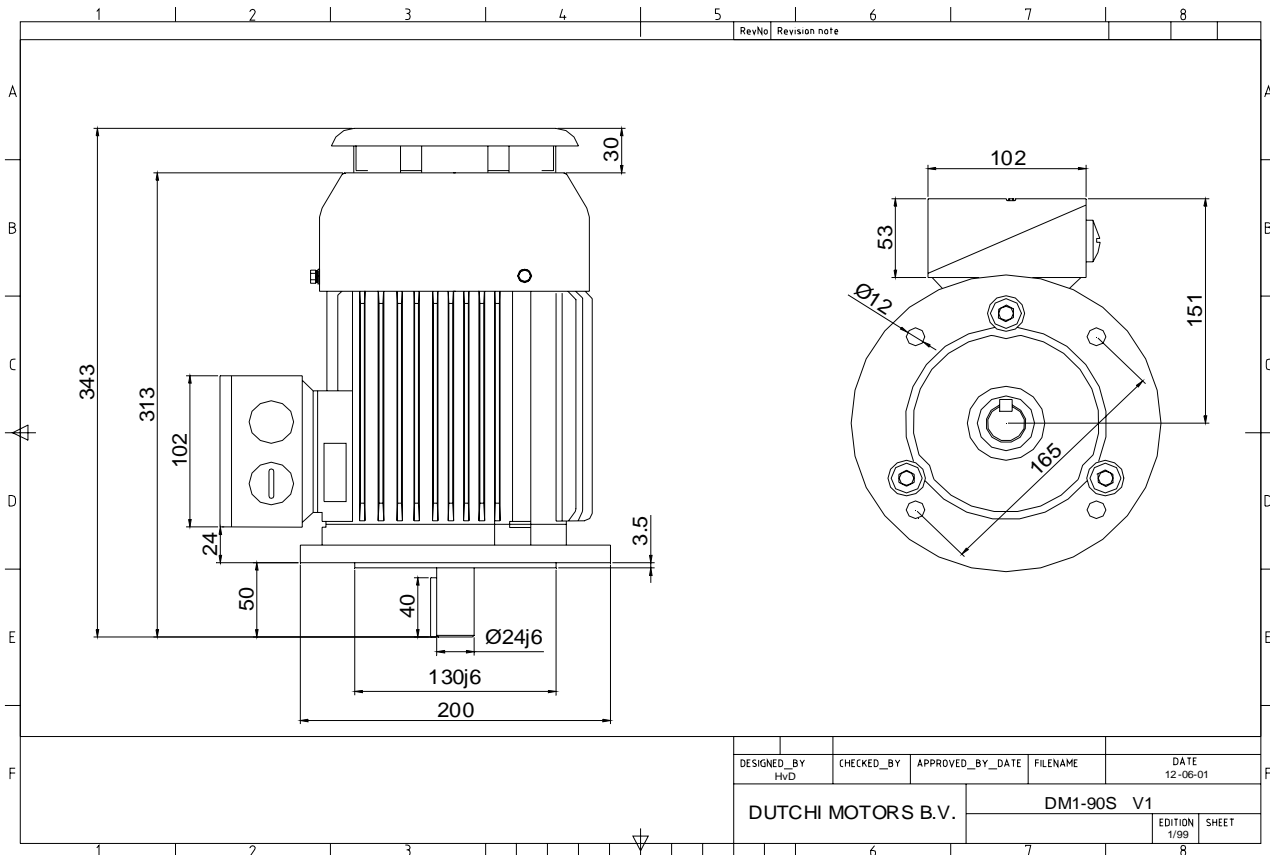


Specification	IEC 60034-1
Manufacturer	Dutchi Motors B.V.
Motor type	DM1- 90 S8
Rated power	0,37 kW S1 duty
Speed	700 r.p.m
Voltage	230 / 400 V
Frequency	50 Hz
Connection	Δ / Y
Amps full load	2,41 / 1,39 A
Amps no-load(400V)	1,20 A
Enclosure	IP 55
Insulation Class	F (temp. rise B (80 K))
Max. coolant temp.	40°C
Max. altitude	1.000 mtr, above sea level
Comment	3 x PTC 150°C
Cable entries	2 x M25x1,5 + 1 x M16x1,5 (ptc)
Feature	Cast-iron motor
Weight	24,0 kg
Catalog no.	11228037D
Warranty	12~18 months

Efficiency class	N/A			
Load data	100%	75%	50%	25%
Efficiency	64,7	61,2	51,4	32,7 %
Power factor	0,59	0,51	0,39	0,27
Sound pressure level (1m)				46,3 dB(A)
Resistance R20 (open)				15,76 Ω
Resistance R20	Y		31,53	Ω
Full load torque				5,05 Nm
DOL Starting torque vs FL torque				2,26
DOL Pull up torque vs FL torque				1,65
DOL Pull out torque vs FL torque				3,14
Star-Delta Starting torque vs FL torque				Y - motor
Star-Delta Pull up torque vs FL torque				Y - motor
Star-Delta Pull out torque vs FL torque				Y - motor
DOL Starting current vs FL current				3,50
Star Delta Starting current vs FL current				Y - motor
Rotor Inertia				0,0029 kgm ²
Bearing DE				6205 - ZZ
Bearing NDE				6205 - ZZ

WI	Change	date	sign.
Dutchi Motors B.V. P.O. Box 5390 NL-6802 EJ ARNHEM Tel : +31-(0)26 - 3541 600 Fax : +31-(0)26 - 3541 650		Discription Drawing made by :	date 19-04-04 sign. HvD
dutchi.motors@dutchi.nl www.dutchi.com			

Power is our commodity, the world is our market !



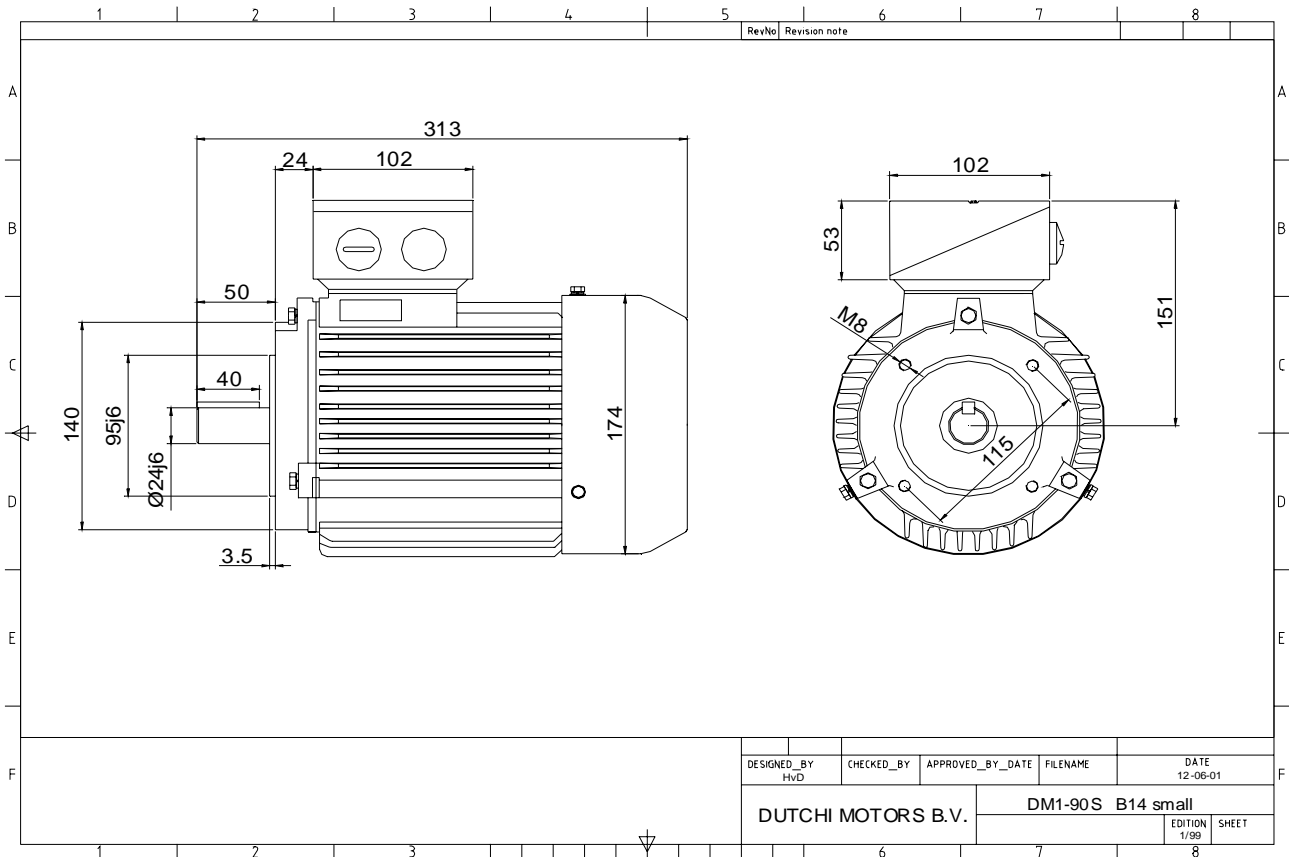
DESIGNED_BY HvD	CHECKED_BY	APPROVED_BY_DATE	FILENAME	DATE 12-06-01
DUTCHI MOTORS B.V.			DM1-90S V1	EDITION 1/99
				SHEET

Specification	IEC 60034-1
Manufacturer	Dutchi Motors B.V.
Motor type	DM1- 90 S8
Rated power	0,37 kW S1 duty
Speed	700 r.p.m
Voltage	230 / 400 V
Frequency	50 Hz
Connection	Δ / Y
Amps full load	2,41 / 1,39 A
Amps no-load(400V)	1,20 A
Enclosure	IP 55
Insulation Class	F (temp. rise B (80 K))
Max. coolant temp.	40°C
Max. altitude	1.000 mtr, above sea level
Comment	3 x PTC 150°C
Cable entries	2 x M25x1,5 + 1 x M16x1,5 (ptc)
Feature	Cast-iron motor
Weight	24,0 kg
Catalog no.	11028037D
Warranty	12~18 months

Efficiency class	N/A			
Load data	100%	75%	50%	25%
Efficiency	64,7	61,2	51,4	32,7 %
Power factor	0,59	0,51	0,39	0,27
Sound pressure level (1m)				46,3 dB(A)
Resistance R20 (open)				15,76 Ω
Resistance R20	Y		31,53	Ω
Full load torque				5,05 Nm
DOL Starting torque vs FL torque				2,26
DOL Pull up torque vs FL torque				1,65
DOL Pull out torque vs FL torque				3,14
Star-Delta Starting torque vs FL torque				Y - motor
Star-Delta Pull up torque vs FL torque				Y - motor
Star-Delta Pull out torque vs FL torque				Y - motor
DOL Starting current vs FL current				3,50
Star Delta Starting current vs FL current				Y - motor
Rotor Inertia				0,0029 kgm ²
Bearing DE				6205 - ZZ
Bearing NDE				6205 - ZZ

WI	Change	date	sign.
Dutchi Motors B.V. P.O. Box 5390 NL-6802 EJ ARNHEM Tel : +31-(0)26 - 3541 600 Fax : +31-(0)26 - 3541 650		Discription Drawing made by :	date 19-04-04 sign. HvD
		dutchi.motors@dutchi.nl www.dutchi.com	

Power is our commodity, the world is our market !



Specification **IEC 60034-1**
 Manufacturer **Dutchi Motors B.V.**
 Motor type **DM1- 90 S8**
 Rated power **0,37** kW **S1** duty
 Speed **700** r.p.m
 Voltage **230 / 400** V
 Frequency **50** Hz
 Connection **Δ / Y**
 Amps full load **2,41 / 1,39** A
 Amps no-load(400V) **1,20** A
 Enclosure **IP 55**
 Insulation Class **F (temp. rise B (80 K))**

Max. coolant temp. **40°C**
 Max. altitude **1.000** mtr, above sea level
 Comment **3 x PTC 150°C**
 Cable entries **2 x M25x1,5 + 1 x M16x1,5 (ptc)**

Feature **Cast-iron motor**
 Weight **24,0** kg
 Catalog no. **11328037D**
 Warranty **12~18 months**

Efficiency class **N/A**
 Load data 100% 75% 50% 25%
 Efficiency **64,7 61,2 51,4 32,7** %
 Power factor **0,59 0,51 0,39 0,27**

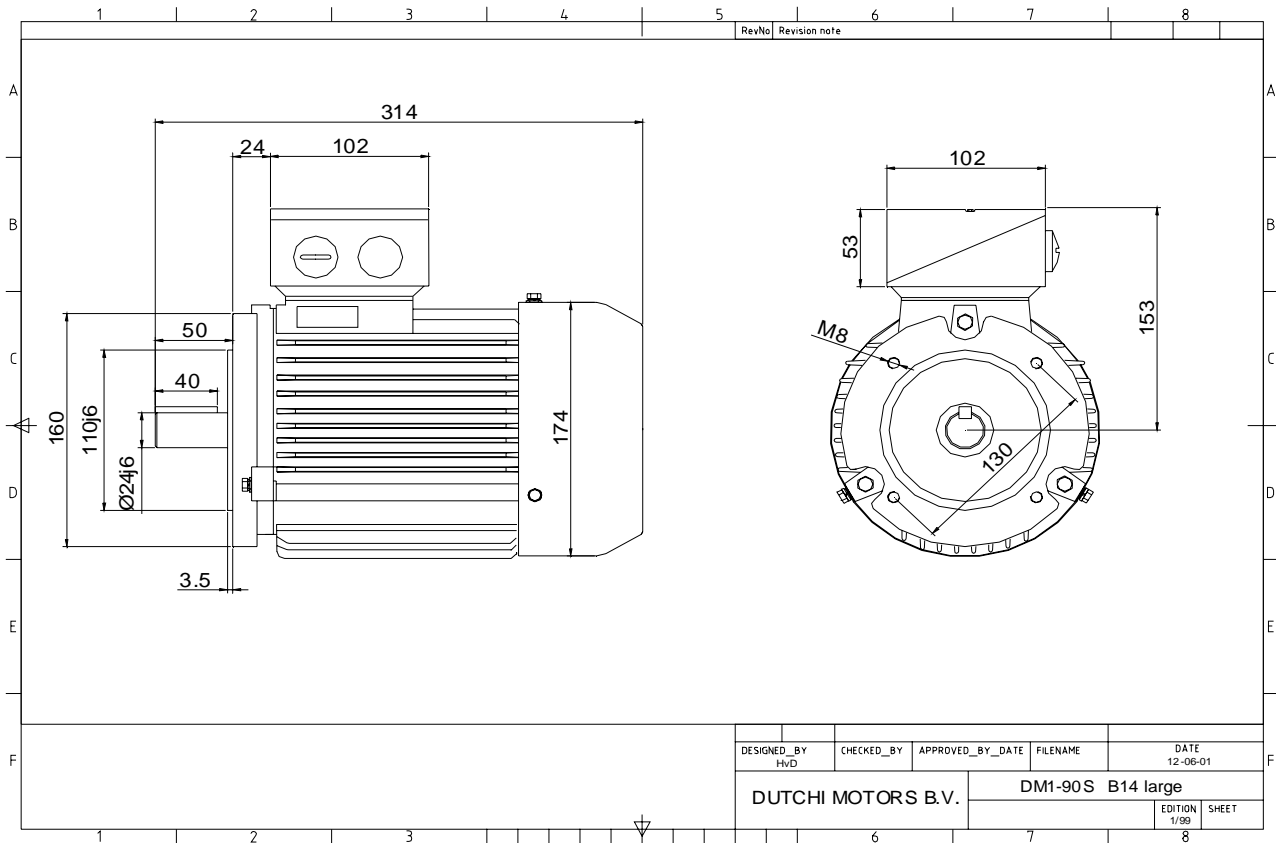
Sound pressure level (1m) **46,3** dB(A)
 Resistance R20 (open) **15,76** Ω
 Resistance R20 **Y 31,53** Ω

Full load torque **5,05** Nm
 DOL Starting torque vs FL torque **2,26**
 DOL Pull up torque vs FL torque **1,65**
 DOL Pull out torque vs FL torque **3,14**
 Star-Delta Starting torque vs FL torque **Y - motor**
 Star-Delta Pull up torque vs FL torque **Y - motor**
 Star-Delta Pull out torque vs FL torque **Y - motor**
 DOL Starting current vs FL current **3,50**
 Star Delta Starting current vs FL current **Y - motor**
 Rotor Inertia **0,0029** kgm²

Bearing DE **6205 - ZZ**
 Bearing NDE **6205 - ZZ**

WI	Change	date	sign.
Dutchi Motors B.V. P.O. Box 5390 NL-6802 EJ ARNHEM Tel : +31-(0)26 - 3541 600 Fax : +31-(0)26 - 3541 650		Description	date
		Drawing made by :	19-04-04
		dutchi.motors@dutchi.nl www.dutchi.com	

Power is our commodity, the world is our market !



Specification **IEC 60034-1**
 Manufacturer **Dutchi Motors B.V.**
 Motor type **DM1- 90 S8**
 Rated power **0,37** kW **S1** duty
 Speed **700** r.p.m
 Voltage **230 / 400** V
 Frequency **50** Hz
 Connection **Δ / Y**
 Amps full load **2,41 / 1,39** A
 Amps no-load(400V) **1,20** A
 Enclosure **IP 55**
 Insulation Class **F (temp. rise B (80 K))**

Max. coolant temp. **40°C**
 Max. altitude **1.000** mtr, above sea level
 Comment **3 x PTC 150°C**
 Cable entries **2 x M25x1,5 + 1 x M16x1,5 (ptc)**

Feature **Cast-iron motor**
 Weight **24,0** kg
 Catalog no. **11428037D**
 Warranty **12~18 months**

Efficiency class **N/A**
 Load data 100% 75% 50% 25%
 Efficiency **64,7 61,2 51,4 32,7** %
 Power factor **0,59 0,51 0,39 0,27**

Sound pressure level (1m) **46,3** dB(A)
 Resistance R20 (open) **15,76** Ω
 Resistance R20 **Y 31,53** Ω

Full load torque **5,05** Nm
 DOL Starting torque vs FL torque **2,26**
 DOL Pull up torque vs FL torque **1,65**
 DOL Pull out torque vs FL torque **3,14**
 Star-Delta Starting torque vs FL torque **Y - motor**
 Star-Delta Pull up torque vs FL torque **Y - motor**
 Star-Delta Pull out torque vs FL torque **Y - motor**
 DOL Starting current vs FL current **3,50**
 Star Delta Starting current vs FL current **Y - motor**
 Rotor Inertia **0,0029** kgm²

Bearing DE **6205 - ZZ**
 Bearing NDE **6205 - ZZ**

WI	Change	date	sign.
Dutchi Motors B.V. P.O. Box 5390 NL-6802 EJ ARNHEM Tel : +31-(0)26 - 3541 600 Fax : +31-(0)26 - 3541 650		Description	date
		Drawing made by :	19-04-04
		dutchi.motors@dutchi.nl www.dutchi.com	