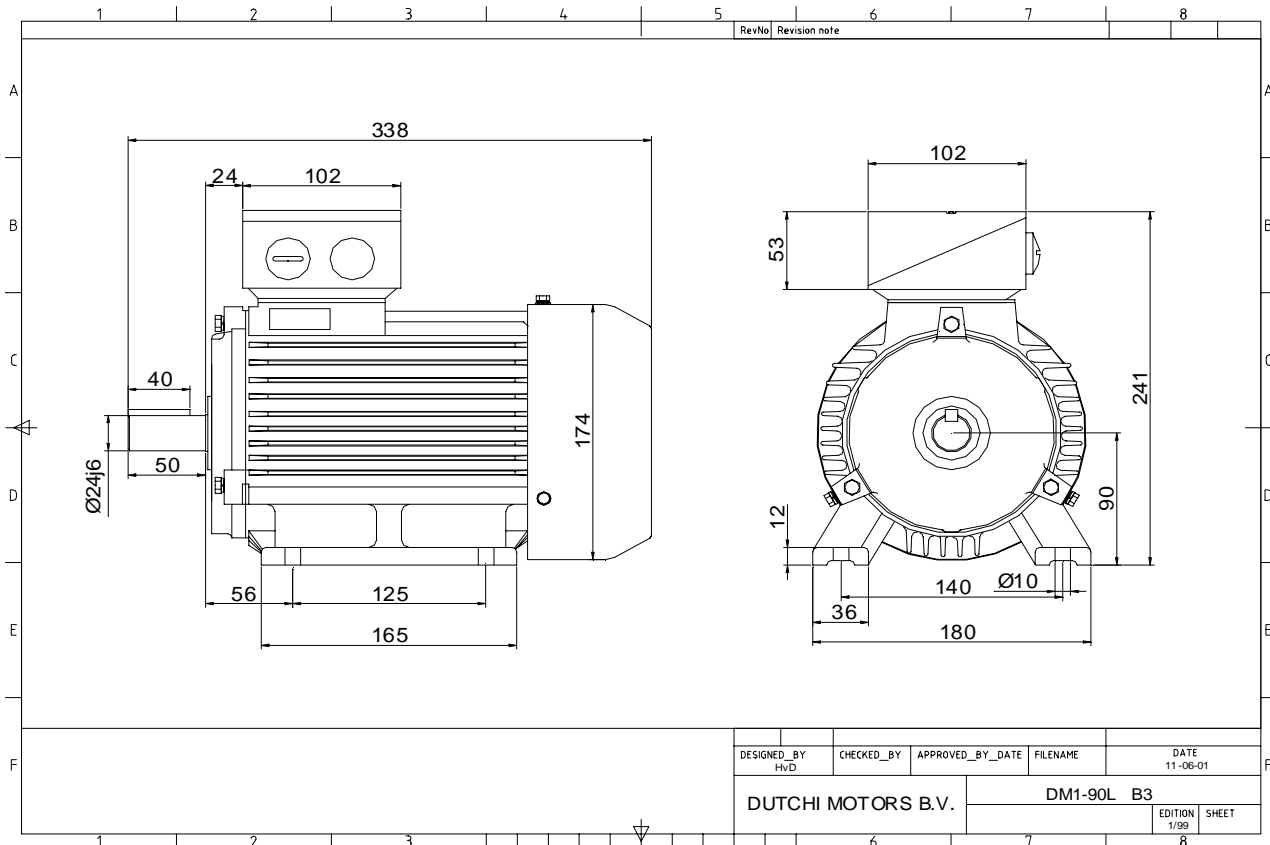


Power is our commodity, the world is our market !

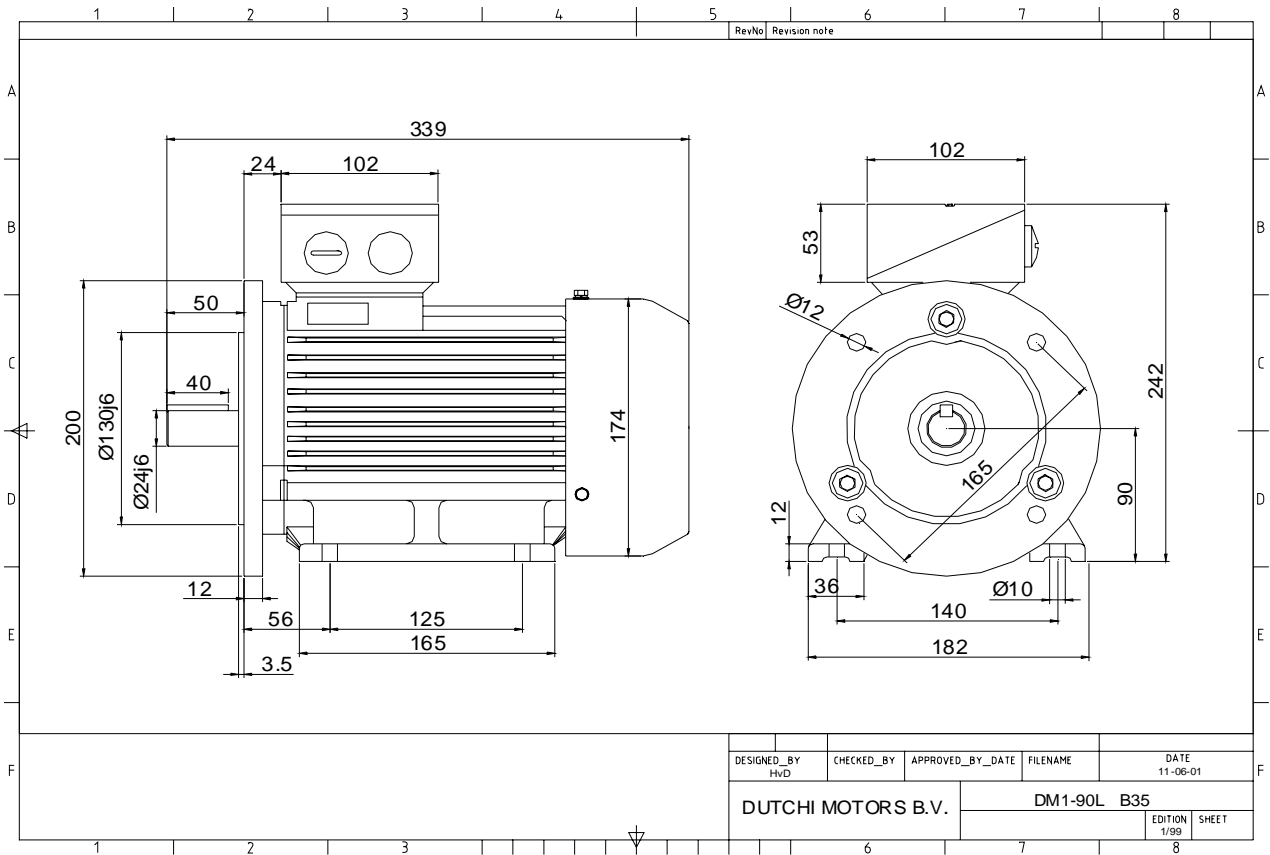


Specification	IEC 60034-1
Manufacturer	Dutchi Motors B.V.
Motor type	DM1- 90 L8
Rated power	0,55 kW S1 duty
Speed	690 r.p.m
Voltage	230 / 400 V
Frequency	50 Hz
Connection	Δ / Y
Amps full load	3,40 / 1,96 A
Amps no-load(400V)	1,65 A
Enclosure	IP 55
Insulation Class	F (temp. rise B (80 K))
Max. coolant temp.	40°C
Max. altitude	1.000 mtr, above sea level
Comment	3 x PTC 150°C
Cable entries	2 x M25x1,5 + 1 x M20x1,5 (ptc)
Feature	Cast-iron motor
Weight	25,0 kg
Catalog no.	11128055D
Warranty	12~18 months

Efficiency class	N/A			
Load data	100%	75%	50%	25%
Efficiency	67,3	64,4	57,2	41,9 %
Power factor	0,60	0,51	0,40	0,28
Sound pressure level (1m)				43,6 dB(A)
Resistance R20 (open)				11,83 Ω
Resistance R20	Y		23,66	Ω
Full load torque				7,61 Nm
DOL Starting torque vs FL torque				2,22
DOL Pull up torque vs FL torque				1,48
DOL Pull out torque vs FL torque				2,65
Star-Delta Starting torque vs FL torque				Y - motor
Star-Delta Pull up torque vs FL torque				Y - motor
Star-Delta Pull out torque vs FL torque				Y - motor
DOL Starting current vs FL current				3,72
Star Delta Starting current vs FL current				Y - motor
Rotor Inertia				0,0035 kgm ²
Bearing DE				6205 - ZZ
Bearing NDE				6205 - ZZ

WI	Change	date	sign.
Dutchi Motors B.V. P.O. Box 5390 NL-6802 EJ ARNHEM Tel : +31-(0)26 - 3541 600 Fax : +31-(0)26 - 3541 650		Discription Drawing made by :	date 19-04-04 sign. HvD
dutchi.motors@dutchi.nl www.dutchi.com			

Power is our commodity, the world is our market !



Specification **IEC 60034-1**
 Manufacturer **Dutchi Motors B.V.**
 Motor type **DM1- 90 L8**
 Rated power **0,55** kW **S1** duty
 Speed **690** r.p.m
 Voltage **230 / 400** V
 Frequency **50** Hz
 Connection **Δ / Y**
 Amps full load **3,40 / 1,96** A
 Amps no-load(400V) **1,65** A
 Enclosure **IP 55**
 Insulation Class **F (temp. rise B (80 K))**

Max. coolant temp. **40°C**
 Max. altitude **1.000** mtr, above sea level
 Comment **3 x PTC 150°C**
 Cable entries **2 x M25x1,5 + 1 x M20x1,5 (ptc)**

Feature **Cast-iron motor**
 Weight **25,0** kg
 Catalog no. **#N/B**
 Warranty **12~18 months**

Efficiency class **N/A**
 Load data 100% 75% 50% 25%
 Efficiency **67,3 64,4 57,2 41,9** %
 Power factor **0,60 0,51 0,40 0,28**

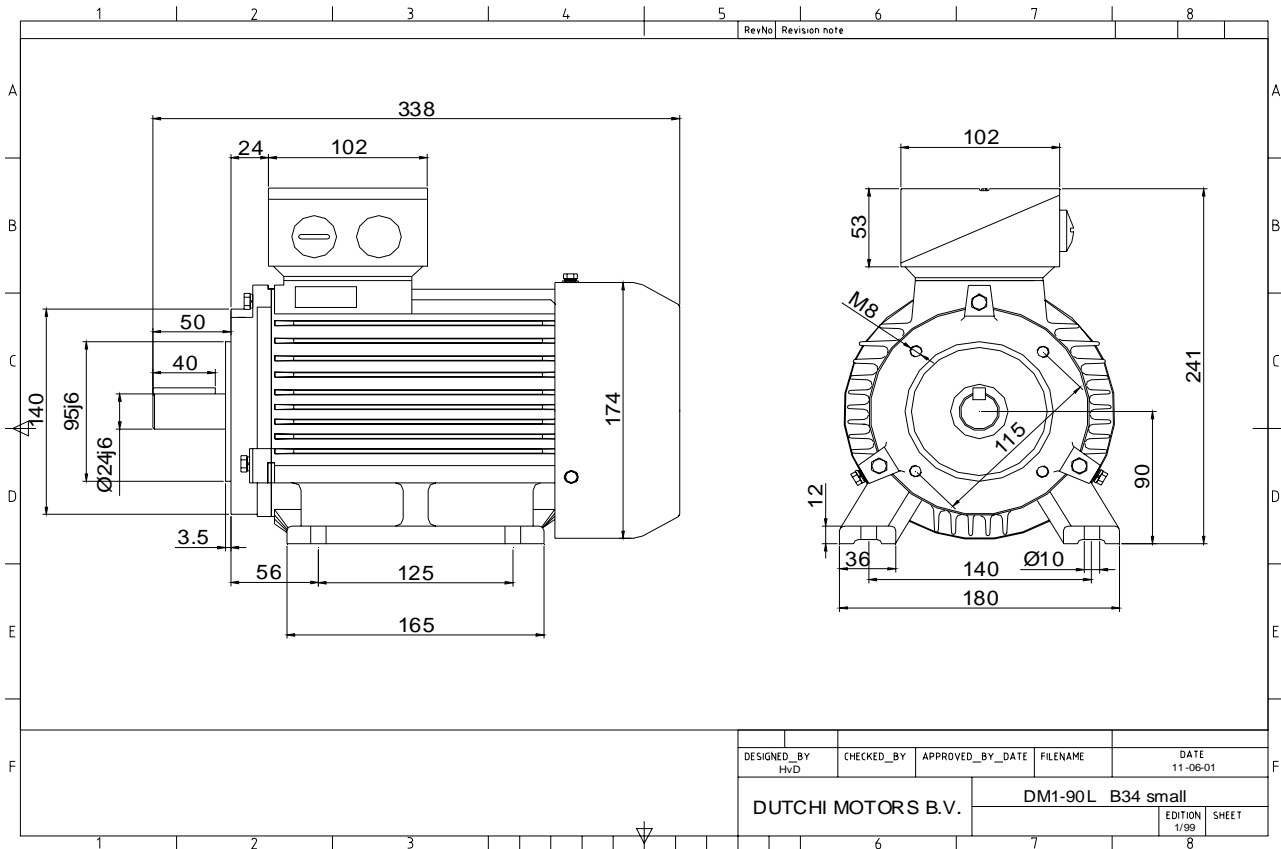
Sound pressure level (1m) **43,6** dB(A)
 Resistance R20 (open) **11,83** Ω
 Resistance R20 **Y 23,66** Ω

Full load torque **7,61** Nm
 DOL Starting torque vs FL torque **2,22**
 DOL Pull up torque vs FL torque **1,48**
 DOL Pull out torque vs FL torque **2,65**
 Star-Delta Starting torque vs FL torque **Y - motor**
 Star-Delta Pull up torque vs FL torque **Y - motor**
 Star-Delta Pull out torque vs FL torque **Y - motor**
 DOL Starting current vs FL current **3,72**
 Star Delta Starting current vs FL current **Y - motor**
 Rotor Inertia **0,0035** kgm2

Bearing DE **6205 - ZZ**
 Bearing NDE **6205 - ZZ**

WI	Change	date	sign.
Dutchi Motors B.V. P.O. Box 5390 NL-6802 EJ ARNHEM Tel : +31-(0)26 - 3541 600 Fax : +31-(0)26 - 3541 650		Discription Drawing made by : 19-04-04	date sign. HvD
dutchi.motors@dutchi.nl www.dutchi.com			

Power is our commodity, the world is our market !

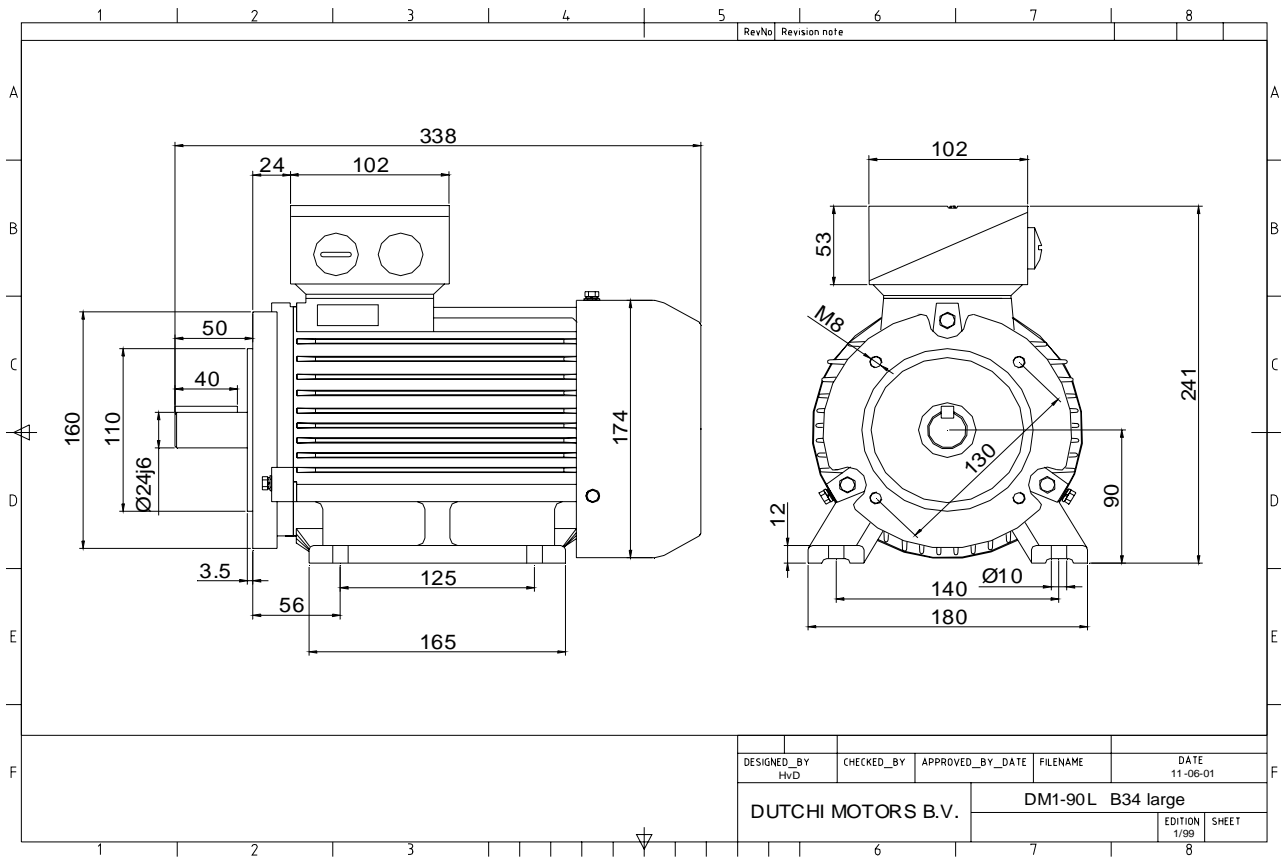


Specification	IEC 60034-1
Manufacturer	Dutchi Motors B.V.
Motor type	DM1- 90 L8
Rated power	0,55 kW S1 duty
Speed	690 r.p.m
Voltage	230 / 400 V
Frequency	50 Hz
Connection	Δ / Y
Amps full load	3,40 / 1,96 A
Amps no-load(400V)	1,65 A
Enclosure	IP 55
Insulation Class	F (temp. rise B (80 K))
Max. coolant temp.	40°C
Max. altitude	1.000 mtr, above sea level
Comment	3 x PTC 150°C
Cable entries	2 x M25x1,5 + 1 x M20x1,5 (ptc)
Feature	Cast-iron motor
Weight	25,0 kg
Catalog no.	11628055D
Warranty	12~18 months

Efficiency class	N/A			
Load data	100%	75%	50%	25%
Efficiency	67,3	64,4	57,2	41,9 %
Power factor	0,60	0,51	0,40	0,28
Sound pressure level (1m)				43,6 dB(A)
Resistance R20 (open)				11,83 Ω
Resistance R20	Y		23,66	Ω
Full load torque				7,61 Nm
DOL Starting torque vs FL torque				2,22
DOL Pull up torque vs FL torque				1,48
DOL Pull out torque vs FL torque				2,65
Star-Delta Starting torque vs FL torque				Y - motor
Star-Delta Pull up torque vs FL torque				Y - motor
Star-Delta Pull out torque vs FL torque				Y - motor
DOL Starting current vs FL current				3,72
Star Delta Starting current vs FL current				Y - motor
Rotor Inertia				0,0035 kgm ²
Bearing DE				6205 - ZZ
Bearing NDE				6205 - ZZ

WI	Change	date	sign.
Dutchi Motors B.V. P.O. Box 5390 NL-6802 EJ ARNHEM Tel : +31-(0)26 - 3541 600 Fax : +31-(0)26 - 3541 650		Discription Drawing made by :	date 19-04-04 sign. HVD
		dutchi.motors@dutchi.nl www.dutchi.com	

Power is our commodity, the world is our market !

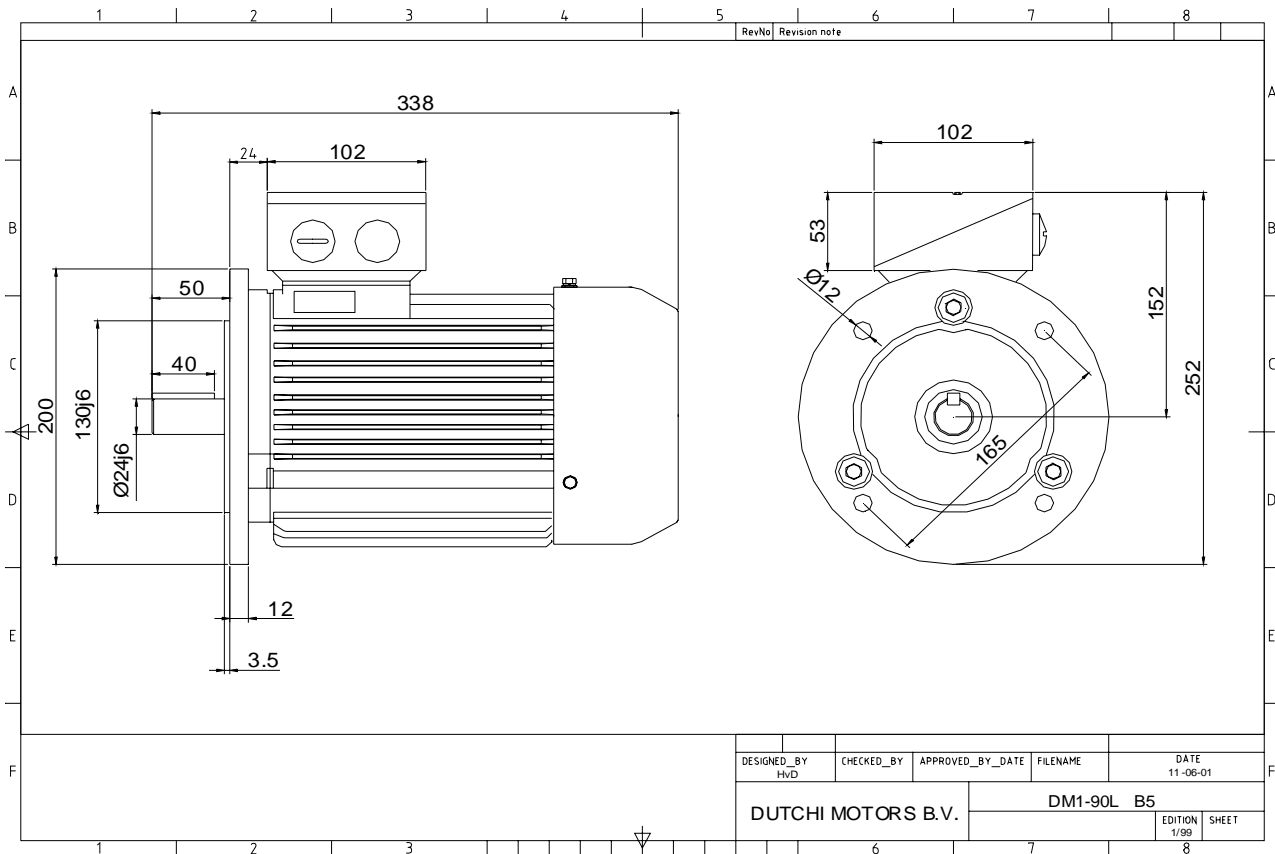


Specification	IEC 60034-1
Manufacturer	Dutchi Motors B.V.
Motor type	DM1- 90 L8
Rated power	0,55 kW S1 duty
Speed	690 r.p.m
Voltage	230 / 400 V
Frequency	50 Hz
Connection	Δ / Y
Amps full load	3,40 / 1,96 A
Amps no-load(400V)	1,65 A
Enclosure	IP 55
Insulation Class	F (temp. rise B (80 K))
Max. coolant temp.	40°C
Max. altitude	1.000 mtr, above sea level
Comment	3 x PTC 150°C
Cable entries	2 x M25x1,5 + 1 x M20x1,5 (ptc)
Feature	Cast-iron motor
Weight	25,0 kg
Catalog no.	11728055D
Warranty	12~18 months

Efficiency class	N/A			
Load data	100%	75%	50%	25%
Efficiency	67,3	64,4	57,2	41,9 %
Power factor	0,60	0,51	0,40	0,28
Sound pressure level (1m)				43,6 dB(A)
Resistance R20 (open)				11,83 Ω
Resistance R20	Y		23,66	Ω
Full load torque				7,61 Nm
DOL Starting torque vs FL torque				2,22
DOL Pull up torque vs FL torque				1,48
DOL Pull out torque vs FL torque				2,65
Star-Delta Starting torque vs FL torque				Y - motor
Star-Delta Pull up torque vs FL torque				Y - motor
Star-Delta Pull out torque vs FL torque				Y - motor
DOL Starting current vs FL current				3,72
Star Delta Starting current vs FL current				Y - motor
Rotor Inertia				0,0035 kgm ²
Bearing DE				6205 - ZZ
Bearing NDE				6205 - ZZ

WI	Change	date	sign.
Dutchi Motors B.V. P.O. Box 5390 NL-6802 EJ ARNHEM Tel : +31-(0)26 - 3541 600 Fax : +31-(0)26 - 3541 650		Description	date
		Drawing made by :	19-04-04
		dutchi.motors@dutchi.nl www.dutchi.com	

Power is our commodity, the world is our market !



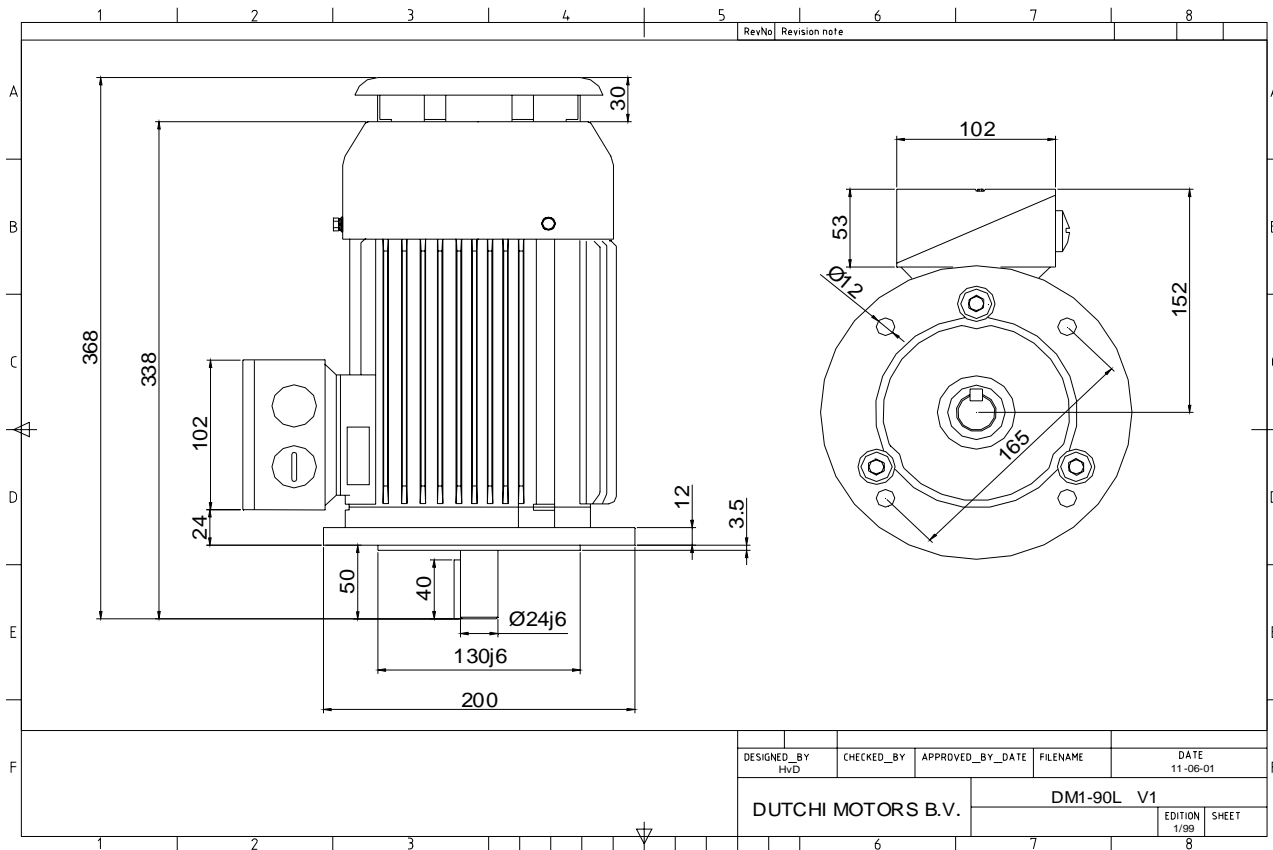
DESIGNED_BY HvD	CHECKED_BY	APPROVED_BY_DATE	FILENAME	DATE 11-06-01
DUTCHI MOTORS B.V.			DM1-90L B5	
EDITION 1/99			SHEET	

Specification	IEC 60034-1
Manufacturer	Dutchi Motors B.V.
Motor type	DM1- 90 L8
Rated power	0,55 kW S1 duty
Speed	690 r.p.m
Voltage	230 / 400 V
Frequency	50 Hz
Connection	Δ / Y
Amps full load	3,40 / 1,96 A
Amps no-load(400V)	1,65 A
Enclosure	IP 55
Insulation Class	F (temp. rise B (80 K))
Max. coolant temp.	40°C
Max. altitude	1.000 mtr, above sea level
Comment	3 x PTC 150°C
Cable entries	2 x M25x1,5 + 1 x M20x1,5 (ptc)
Feature	Cast-iron motor
Weight	25,0 kg
Catalog no.	#N/B
Warranty	12~18 months

Efficiency class	N/A			
Load data	100%	75%	50%	25%
Efficiency	67,3	64,4	57,2	41,9 %
Power factor	0,60	0,51	0,40	0,28
Sound pressure level (1m)				43,6 dB(A)
Resistance R20 (open)				11,83 Ω
Resistance R20	Y		23,66	Ω
Full load torque				7,61 Nm
DOL Starting torque vs FL torque				2,22
DOL Pull up torque vs FL torque				1,48
DOL Pull out torque vs FL torque				2,65
Star-Delta Starting torque vs FL torque				Y - motor
Star-Delta Pull up torque vs FL torque				Y - motor
Star-Delta Pull out torque vs FL torque				Y - motor
DOL Starting current vs FL current				3,72
Star Delta Starting current vs FL current				Y - motor
Rotor Inertia				0,0035 kgm ²
Bearing DE				6205 - ZZ
Bearing NDE				6205 - ZZ

WI	Change	date	sign.
Dutchi Motors B.V. P.O. Box 5390 NL-6802 EJ ARNHEM Tel : +31-(0)26 - 3541 600 Fax : +31-(0)26 - 3541 650		Discription Drawing made by :	date 19-04-04
		sign. HvD	
		dutchi.motors@dutchi.nl www.dutchi.com	

Power is our commodity, the world is our market !



Specification **IEC 60034-1**
 Manufacturer **Dutchi Motors B.V.**
 Motor type **DM1- 90 L8**
 Rated power **0,55** kW **S1** duty
 Speed **690** r.p.m
 Voltage **230 / 400** V
 Frequency **50** Hz
 Connection **Δ / Y**
 Amps full load **3,40 / 1,96** A
 Amps no-load(400V) **1,65** A
 Enclosure **IP 55**
 Insulation Class **F (temp. rise B (80 K))**

Max. coolant temp. **40°C**
 Max. altitude **1.000** mtr, above sea level
 Comment **3 x PTC 150°C**
 Cable entries **2 x M25x1,5 + 1 x M20x1,5 (ptc)**

Feature **Cast-iron motor**
 Weight **25,0** kg
 Catalog no. **#N/B**
 Warranty **12~18 months**

Efficiency class **N/A**
 Load data 100% 75% 50% 25%
 Efficiency **67,3 64,4 57,2 41,9** %
 Power factor **0,60 0,51 0,40 0,28**

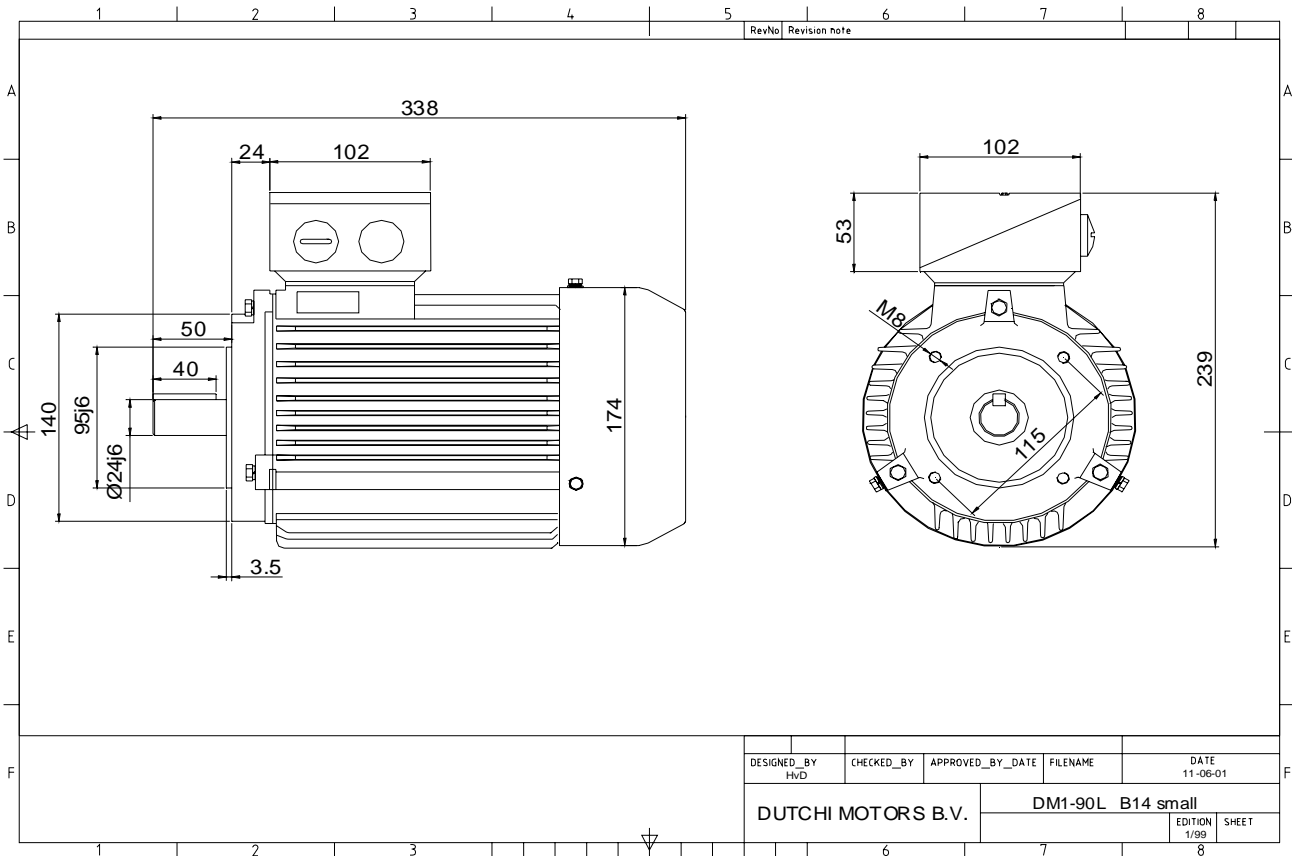
Sound pressure level (1m) **43,6** dB(A)
 Resistance R20 (open) **11,83** Ω
 Resistance R20 **Y 23,66** Ω

Full load torque **7,61** Nm
 DOL Starting torque vs FL torque **2,22**
 DOL Pull up torque vs FL torque **1,48**
 DOL Pull out torque vs FL torque **2,65**
 Star-Delta Starting torque vs FL torque **Y - motor**
 Star-Delta Pull up torque vs FL torque **Y - motor**
 Star-Delta Pull out torque vs FL torque **Y - motor**
 DOL Starting current vs FL current **3,72**
 Star Delta Starting current vs FL current **Y - motor**
 Rotor Inertia **0,0035** kgm²

Bearing DE **6205 - ZZ**
 Bearing NDE **6205 - ZZ**

WI	Change	date	sign.
Dutchi Motors B.V. P.O. Box 5390 NL-6802 EJ ARNHEM Tel : +31-(0)26 - 3541 600 Fax : +31-(0)26 - 3541 650		Discription Drawing made by : 19-04-04	date sign. HVD
dutchi.motors@dutchi.nl www.dutchi.com			

Power is our commodity, the world is our market !

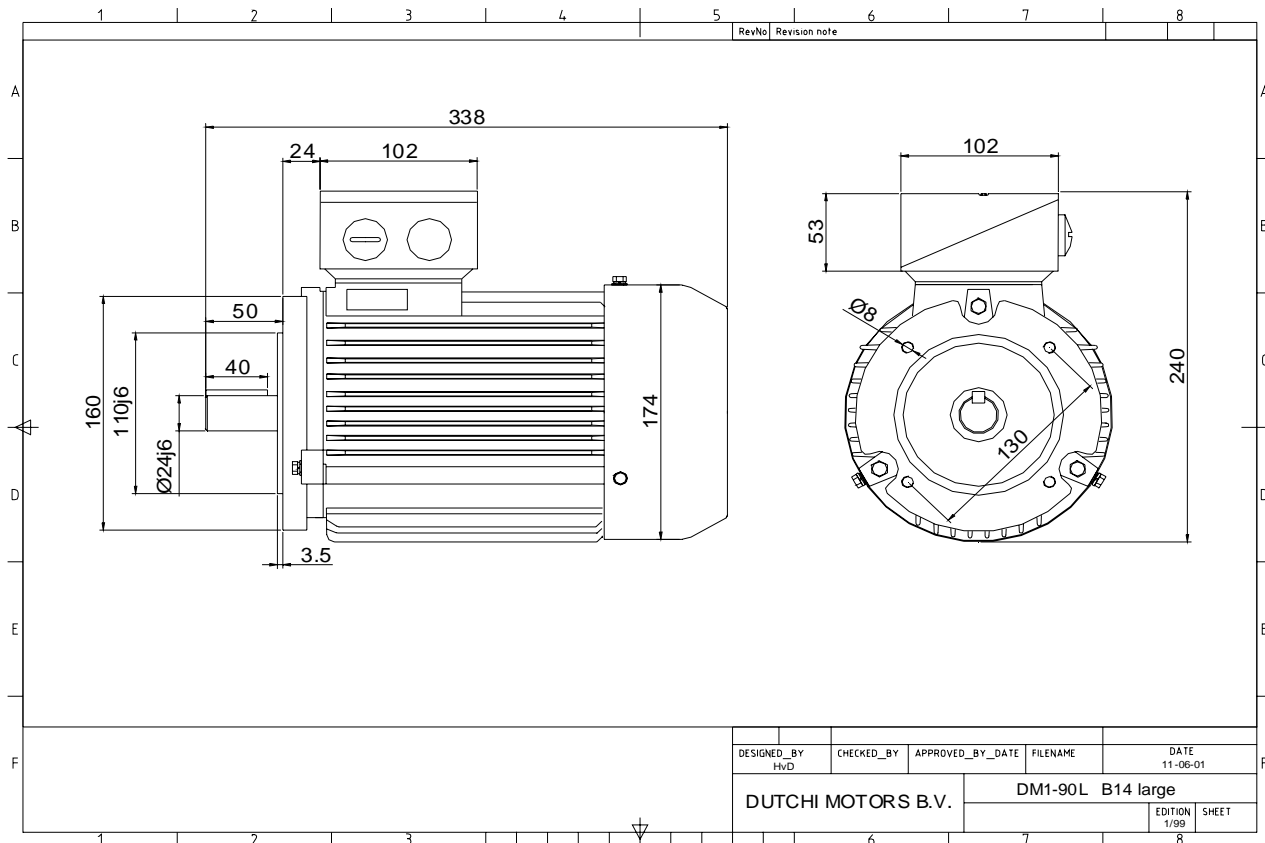


Specification	IEC 60034-1
Manufacturer	Dutchi Motors B.V.
Motor type	DM1- 90 L8
Rated power	0,55 kW S1 duty
Speed	690 r.p.m
Voltage	230 / 400 V
Frequency	50 Hz
Connection	Δ / Y
Amps full load	3,40 / 1,96 A
Amps no-load(400V)	1,65 A
Enclosure	IP 55
Insulation Class	F (temp. rise B (80 K))
Max. coolant temp.	40°C
Max. altitude	1.000 mtr, above sea level
Comment	3 x PTC 150°C
Cable entries	2 x M25x1,5 + 1 x M20x1,5 (ptc)
Feature	Cast-iron motor
Weight	25,0 kg
Catalog no.	11328055D
Warranty	12~18 months

Efficiency class	N/A			
Load data	100%	75%	50%	25%
Efficiency	67,3	64,4	57,2	41,9 %
Power factor	0,60	0,51	0,40	0,28
Sound pressure level (1m)				43,6 dB(A)
Resistance R20 (open)				11,83 Ω
Resistance R20	Y		23,66	Ω
Full load torque				7,61 Nm
DOL Starting torque vs FL torque				2,22
DOL Pull up torque vs FL torque				1,48
DOL Pull out torque vs FL torque				2,65
Star-Delta Starting torque vs FL torque				Y - motor
Star-Delta Pull up torque vs FL torque				Y - motor
Star-Delta Pull out torque vs FL torque				Y - motor
DOL Starting current vs FL current				3,72
Star Delta Starting current vs FL current				Y - motor
Rotor Inertia				0,0035 kgm ²
Bearing DE				6205 - ZZ
Bearing NDE				6205 - ZZ

WI	Change	date	sign.
Dutchi Motors B.V. P.O. Box 5390 NL-6802 EJ ARNHEM Tel : +31-(0)26 - 3541 600 Fax : +31-(0)26 - 3541 650		Discription Drawing made by :	date 19-04-04 sign. HvD
dutchi.motors@dutchi.nl www.dutchi.com			

Power is our commodity, the world is our market !



Specification **IEC 60034-1**
 Manufacturer **Dutchi Motors B.V.**
 Motor type **DM1- 90 L8**
 Rated power **0,55** kW **S1** duty
 Speed **690** r.p.m
 Voltage **230 / 400** V
 Frequency **50** Hz
 Connection **Δ / Y**
 Amps full load **3,40 / 1,96** A
 Amps no-load(400V) **1,65** A
 Enclosure **IP 55**
 Insulation Class **F (temp. rise B (80 K))**

Max. coolant temp. **40°C**
 Max. altitude **1.000** mtr, above sea level
 Comment **3 x PTC 150°C**
 Cable entries **2 x M25x1,5 + 1 x M20x1,5 (ptc)**

Feature **Cast-iron motor**
 Weight **25,0** kg
 Catalog no. **11428055D**
 Warranty **12~18 months**

Efficiency class **N/A**
 Load data 100% 75% 50% 25%
 Efficiency **67,3 64,4 57,2 41,9** %
 Power factor **0,60 0,51 0,40 0,28**

Sound pressure level (1m) **43,6** dB(A)
 Resistance R20 (open) **11,83** Ω
 Resistance R20 **Y 23,66** Ω

Full load torque **7,61** Nm
 DOL Starting torque vs FL torque **2,22**
 DOL Pull up torque vs FL torque **1,48**
 DOL Pull out torque vs FL torque **2,65**
 Star-Delta Starting torque vs FL torque **Y - motor**
 Star-Delta Pull up torque vs FL torque **Y - motor**
 Star-Delta Pull out torque vs FL torque **Y - motor**
 DOL Starting current vs FL current **3,72**
 Star Delta Starting current vs FL current **Y - motor**
 Rotor Inertia **0,0035** kgm2

Bearing DE **6205 - ZZ**
 Bearing NDE **6205 - ZZ**

WI	Change	date	sign.
Dutchi Motors B.V.		Description	sign.
P.O. Box 5390		Drawing made by :	HvD
NL-6802 EJ ARNHEM		date	19-04-04
Tel : +31-(0)26 - 3541 600		dutchi.motors@dutchi.nl	
Fax : +31-(0)26 - 3541 650		www.dutchi.com	