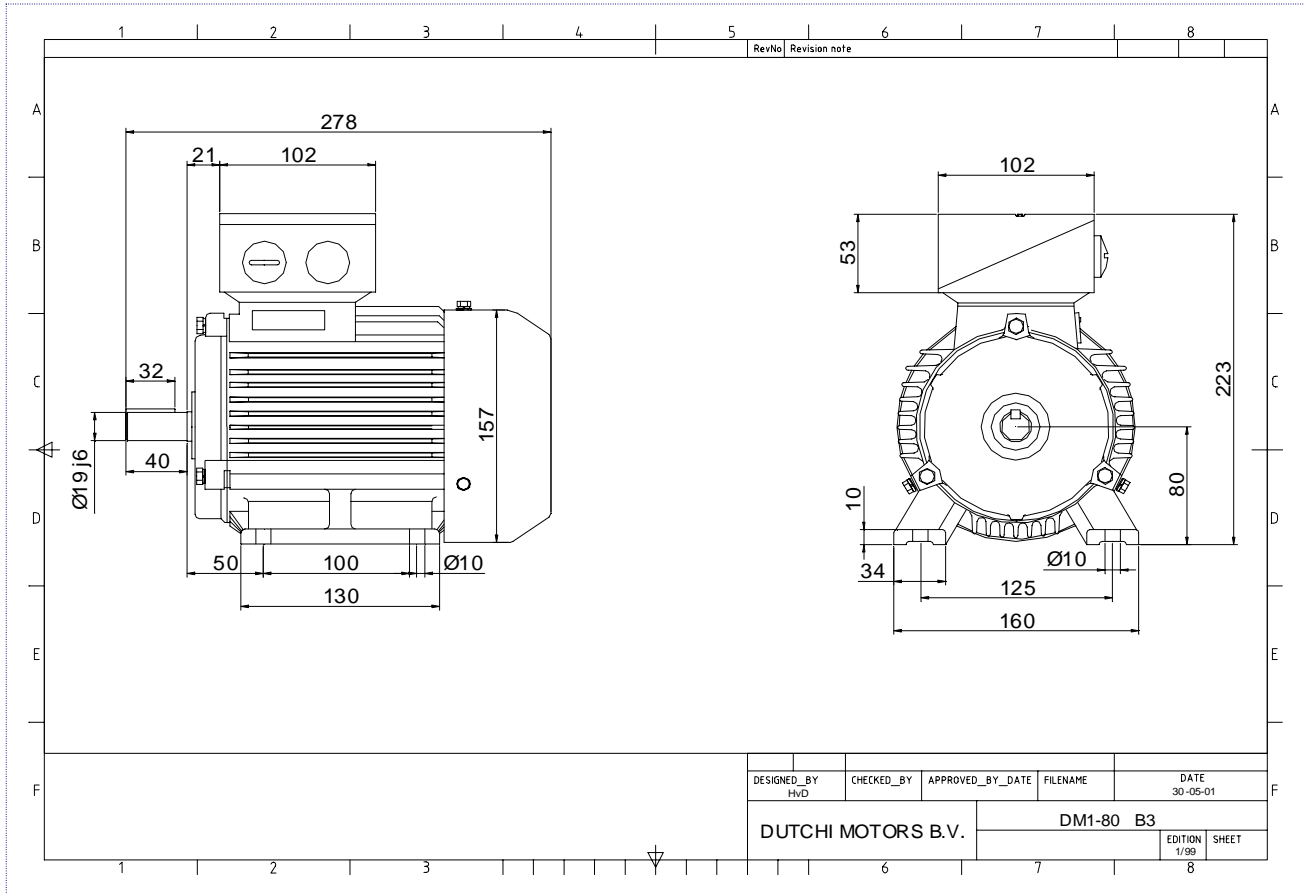


Power is our commodity, the world is our market !



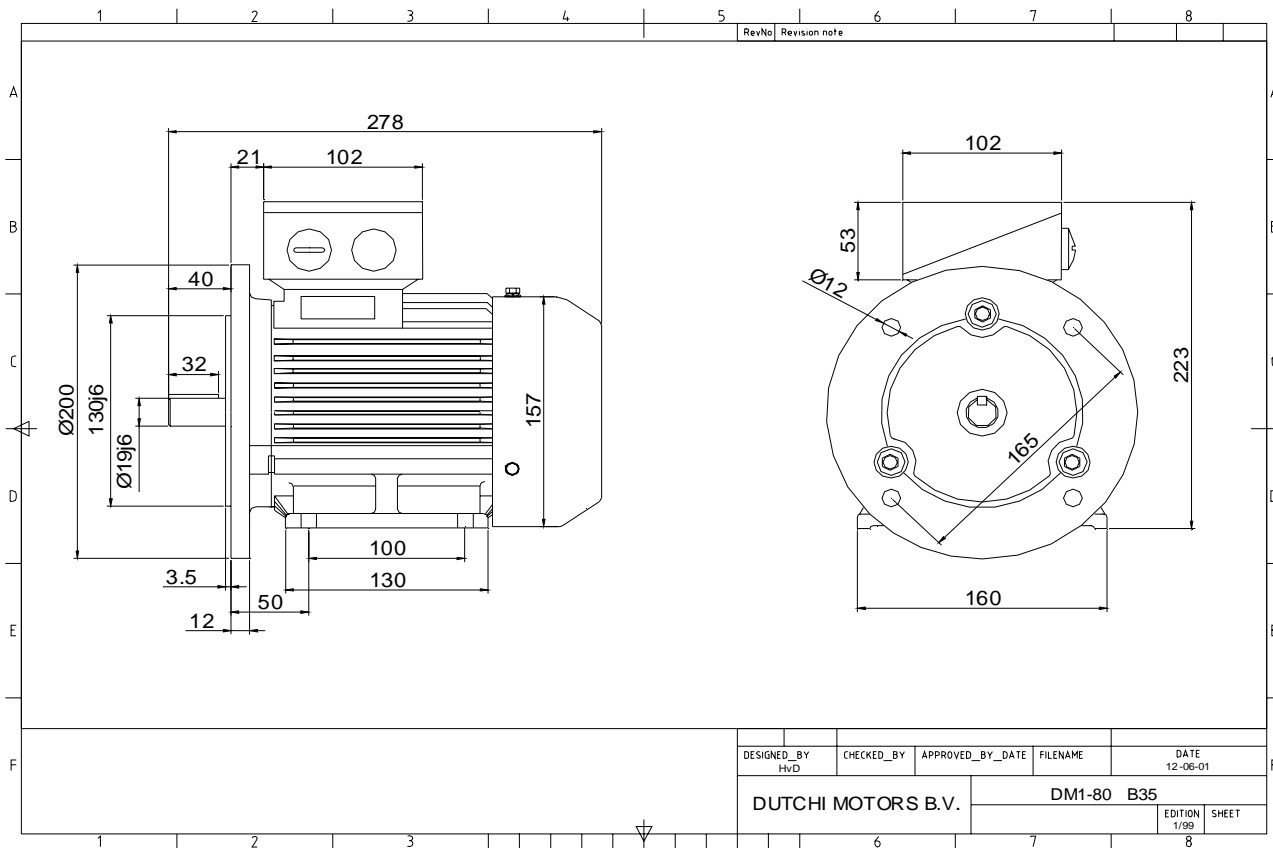
Specification	IEC 60034-1
Manufacturer	Dutchi Motors B.V.
Motor type	DM1- 80 K8
Rated power	0,18 kW S1 duty
Speed	695 r.p.m
Voltage	230 / 400 V
Frequency	50 Hz
Connection	Δ / Y
Amps full load	1,42 / 0,82 A
Amps no-load(400V)	0,80 A
Enclosure	IP 55
Insulation Class	F (temp. rise B (80 K))
Max. coolant temp.	40°C
Max. altitude	1.000 mtr, above sea level
Comment	3 x PTC 150°C
Cable entries	2 x M25x1,5 + 1 x M20x1,5 (ptc)
Feature	Cast-iron motor
Weight	19,0 kg
Catalog no.	11128018D
Warranty	12~18 months

Efficiency class	N/A			
Load data	100%	75%	50%	25%
Efficiency	53,6	50,7	41,5	23,8 %
Power factor	0,59	0,52	0,42	0,32
Sound pressure level (1m)	40,0			dB(A)
Resistance R20 (open)	37,25			Ω
Resistance R20	Y	74,50		Ω
Full load torque	2,47			Nm
DOL Starting torque vs FL torque	2,47			
DOL Pull up torque vs FL torque	1,74			
DOL Pull out torque vs FL torque	3,15			
Star-Delta Starting torque vs FL torque	Y - motor			
Star-Delta Pull up torque vs FL torque	Y - motor			
Star-Delta Pull out torque vs FL torque	Y - motor			
DOL Starting current vs FL current	2,89			
Star Delta Starting current vs FL current	Y - motor			
Rotor Inertia	0,0016			kgm2
Bearing DE	6204 - ZZ			
Bearing NDE	6204 - ZZ			

Extras / Options :

WI	Change	date	sign.
Dutchi Motors B.V. P.O. Box 5390 NL-6802 EJ ARNHEM Tel : +31-(0)26 - 3541 600 Fax : +31-(0)26 - 3541 650		Discription	date
		Drawing made by :	19-04-04
		dutchi.motors@dutchi.nl www.dutchi.com	

Power is our commodity, the world is our market !



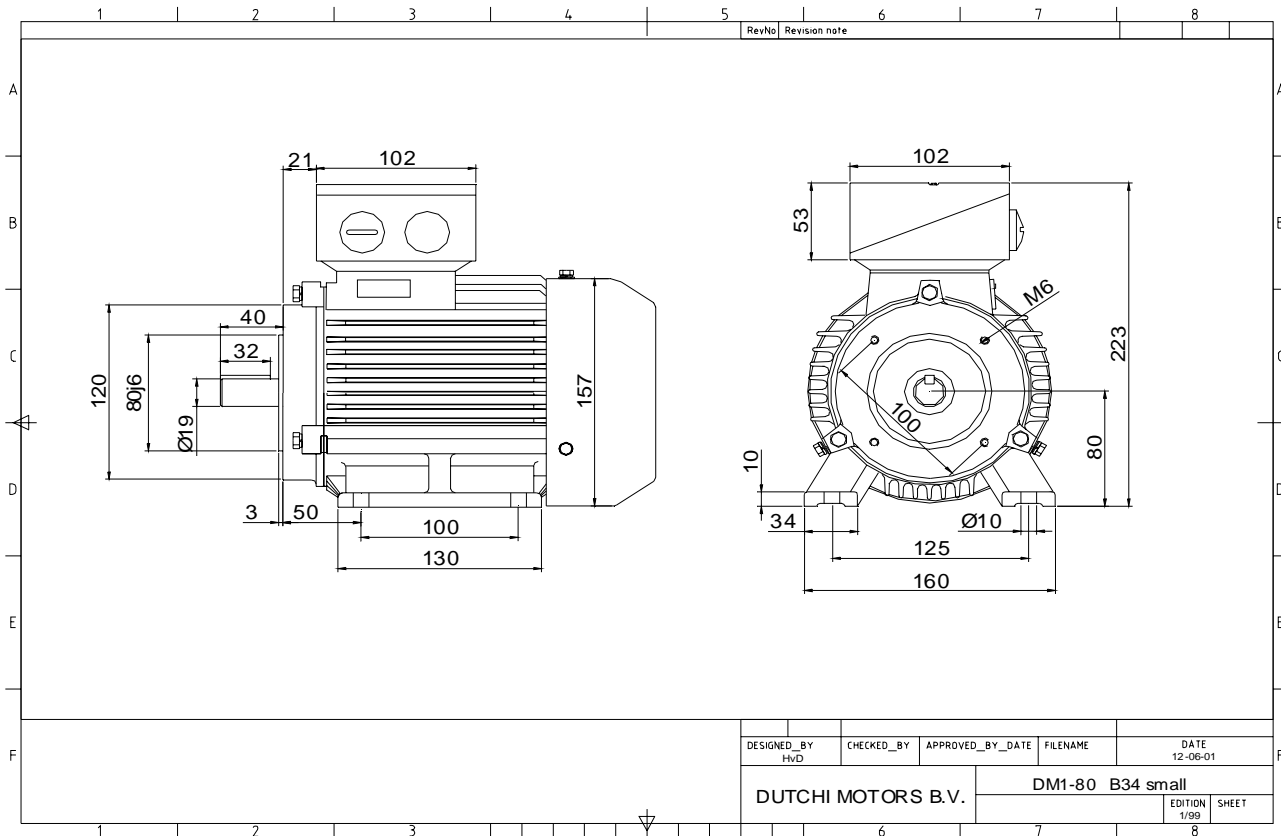
Specification	IEC 60034-1
Manufacturer	Dutchi Motors B.V.
Motor type	DM1- 80 K8
Rated power	0,18 kW S1 duty
Speed	695 r.p.m
Voltage	230 / 400 V
Frequency	50 Hz
Connection	Δ / Y
Amps full load	1,42 / 0,82 A
Amps no-load(400V)	0,80 A
Enclosure	IP 55
Insulation Class	F (temp. rise B (80 K))
Max. coolant temp.	40°C
Max. altitude	1.000 mtr, above sea level
Comment	3 x PTC 150°C
Cable entries	2 x M25x1,5 + 1 x M20x1,5 (ptc)
Feature	Cast-iron motor
Weight	19,0 kg
Catalog no.	11528018D
Warranty	12~18 months

Efficiency class	N/A			
Load data	100%	75%	50%	25%
Efficiency	53,6	50,7	41,5	23,8 %
Power factor	0,59	0,52	0,42	0,32
Sound pressure level (1m)	40,0			dB(A)
Resistance R20 (open)	37,25			Ω
Resistance R20	Y	74,50		Ω
Full load torque	2,47			Nm
DOL Starting torque vs FL torque	2,47			
DOL Pull up torque vs FL torque	1,74			
DOL Pull out torque vs FL torque	3,15			
Star-Delta Starting torque vs FL torque	Y - motor			
Star-Delta Pull up torque vs FL torque	Y - motor			
Star-Delta Pull out torque vs FL torque	Y - motor			
DOL Starting current vs FL current	2,89			
Star Delta Starting current vs FL current	Y - motor			
Rotor Inertia	0,0016			kgm ²
Bearing DE	6204 - ZZ			
Bearing NDE	6204 - ZZ			

Extras / Options :

WI	Change	date	sign.
Dutchi Motors B.V. P.O. Box 5390 NL-6802 EJ ARNHEM Tel : +31-(0)26 - 3541 600 Fax : +31-(0)26 - 3541 650		Discription Drawing made by :	date 19-04-04
dutchi.motors@dutchi.nl www.dutchi.com		sign. HvD	

Power is our commodity, the world is our market !



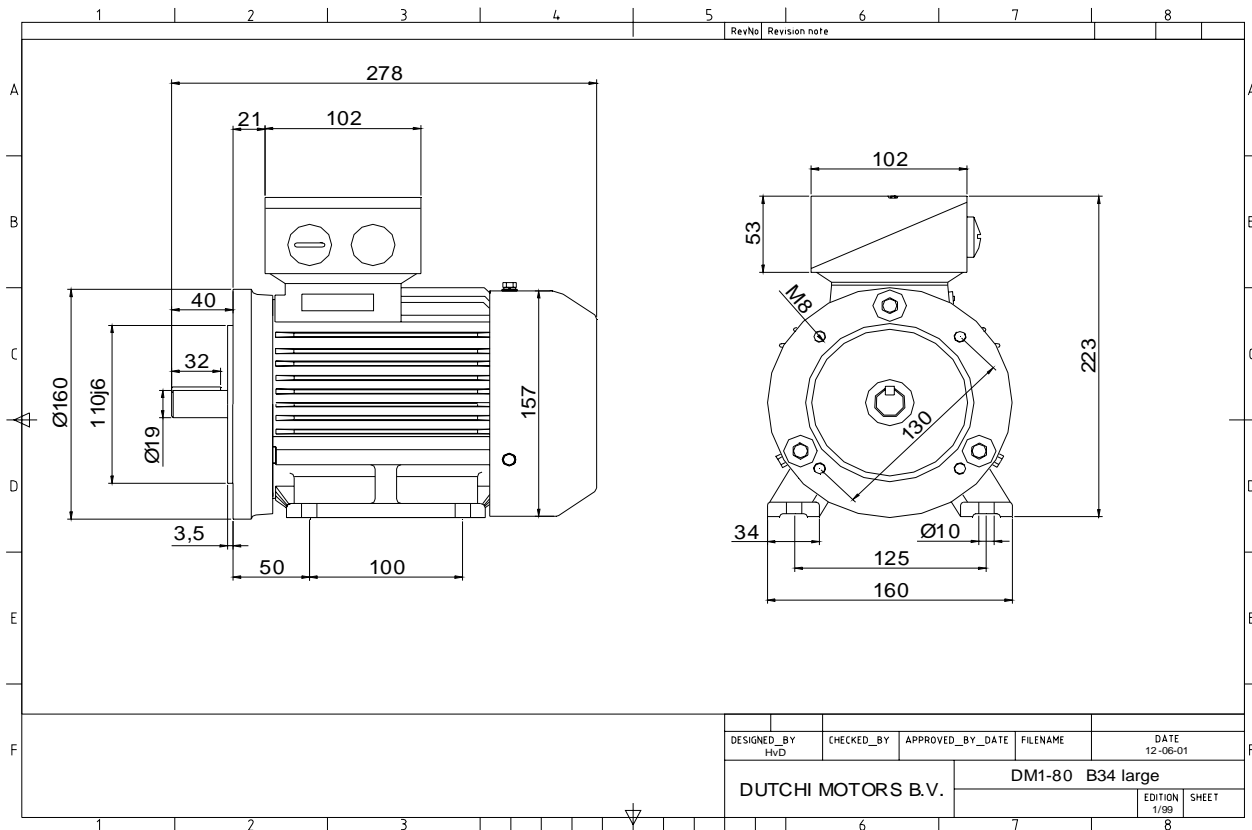
Specification	IEC 60034-1
Manufacturer	Dutchi Motors B.V.
Motor type	DM1- 80 K8
Rated power	0,18 kW S1 duty
Speed	695 r.p.m
Voltage	230 / 400 V
Frequency	50 Hz
Connection	Δ / Y
Amps full load	1,42 / 0,82 A
Amps no-load(400V)	0,80 A
Enclosure	IP 55
Insulation Class	F (temp. rise B (80 K))
Max. coolant temp.	40°C
Max. altitude	1.000 mtr, above sea level
Comment	3 x PTC 150°C
Cable entries	2 x M25x1,5 + 1 x M20x1,5 (ptc)
Feature	Cast-iron motor
Weight	19,0 kg
Catalog no.	11628018D
Warranty	12~18 months

Efficiency class	N/A			
Load data	100%	75%	50%	25%
Efficiency	53,6	50,7	41,5	23,8 %
Power factor	0,59	0,52	0,42	0,32
Sound pressure level (1m)				40,0 dB(A)
Resistance R20 (open)				37,25 Ω
Resistance R20	Y		74,50	Ω
Full load torque				2,47 Nm
DOL Starting torque vs FL torque				2,47
DOL Pull up torque vs FL torque				1,74
DOL Pull out torque vs FL torque				3,15
Star-Delta Starting torque vs FL torque				Y - motor
Star-Delta Pull up torque vs FL torque				Y - motor
Star-Delta Pull out torque vs FL torque				Y - motor
DOL Starting current vs FL current				2,89
Star Delta Starting current vs FL current				Y - motor
Rotor Inertia				0,0016 kgm ²
Bearing DE				6204 - ZZ
Bearing NDE				6204 - ZZ

Extras / Options :

WI	Change	date	sign.
Dutchi Motors B.V. P.O. Box 5390 NL-6802 EJ ARNHEM Tel : +31-(0)26 - 3541 600 Fax : +31-(0)26 - 3541 650		Discription Drawing made by :	date 19-04-04 sign. HvD
		dutchi.motors@dutchi.nl www.dutchi.com	

Power is our commodity, the world is our market !



Specification **IEC 60034-1**
 Manufacturer **Dutchi Motors B.V.**
 Motor type **DM1- 80 K8**
 Rated power **0,18** kW **S1** duty
 Speed **695** r.p.m
 Voltage **230 / 400** V
 Frequency **50** Hz
 Connection **Δ / Y**
 Amps full load **1,42 / 0,82** A
 Amps no-load(400V) **0,80** A
 Enclosure **IP 55**
 Insulation Class **F (temp. rise B (80 K))**

Max. coolant temp. **40°C**
 Max. altitude **1.000** mtr, above sea level
 Comment **3 x PTC 150°C**
 Cable entries **2 x M25x1,5 + 1 x M20x1,5 (ptc)**

Feature **Cast-iron motor**
 Weight **19,0** kg
 Catalog no. **11728018D**
 Warranty **12~18 months**

Efficiency class **N/A**
 Load data 100% 75% 50% 25%
 Efficiency **53,6 50,7 41,5 23,8** %
 Power factor **0,59 0,52 0,42 0,32**

Sound pressure level (1m) **40,0** dB(A)
 Resistance R20 (open) **37,25** Ω
 Resistance R20 **Y 74,50** Ω

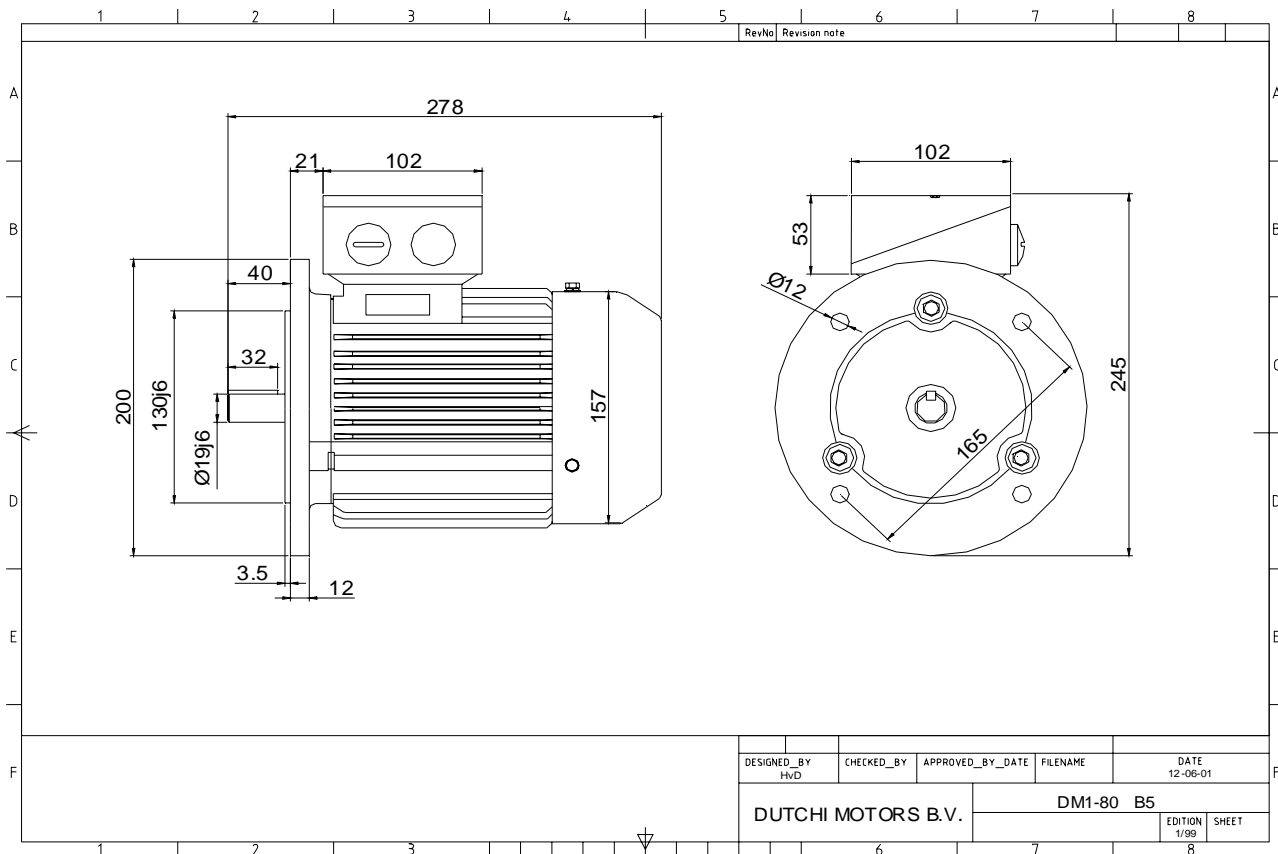
Full load torque **2,47** Nm
 DOL Starting torque vs FL torque **2,47**
 DOL Pull up torque vs FL torque **1,74**
 DOL Pull out torque vs FL torque **3,15**
 Star-Delta Starting torque vs FL torque **Y - motor**
 Star-Delta Pull up torque vs FL torque **Y - motor**
 Star-Delta Pull out torque vs FL torque **Y - motor**
 DOL Starting current vs FL current **2,89**
 Star Delta Starting current vs FL current **Y - motor**
 Rotor Inertia **0,0016** kgm2

Bearing DE **6204 - ZZ**
 Bearing NDE **6204 - ZZ**

Extras / Options :

WI	Change	date	sign.
Dutchi Motors B.V.		Description	date
P.O. Box 5390		Drawing made by :	19-04-04
NL-6802 EJ ARNHEM			
Tel : +31-(0)26 - 3541 600		dutchi.motors@dutchi.nl	
Fax : +31-(0)26 - 3541 650		www.dutchi.com	

Power is our commodity, the world is our market !



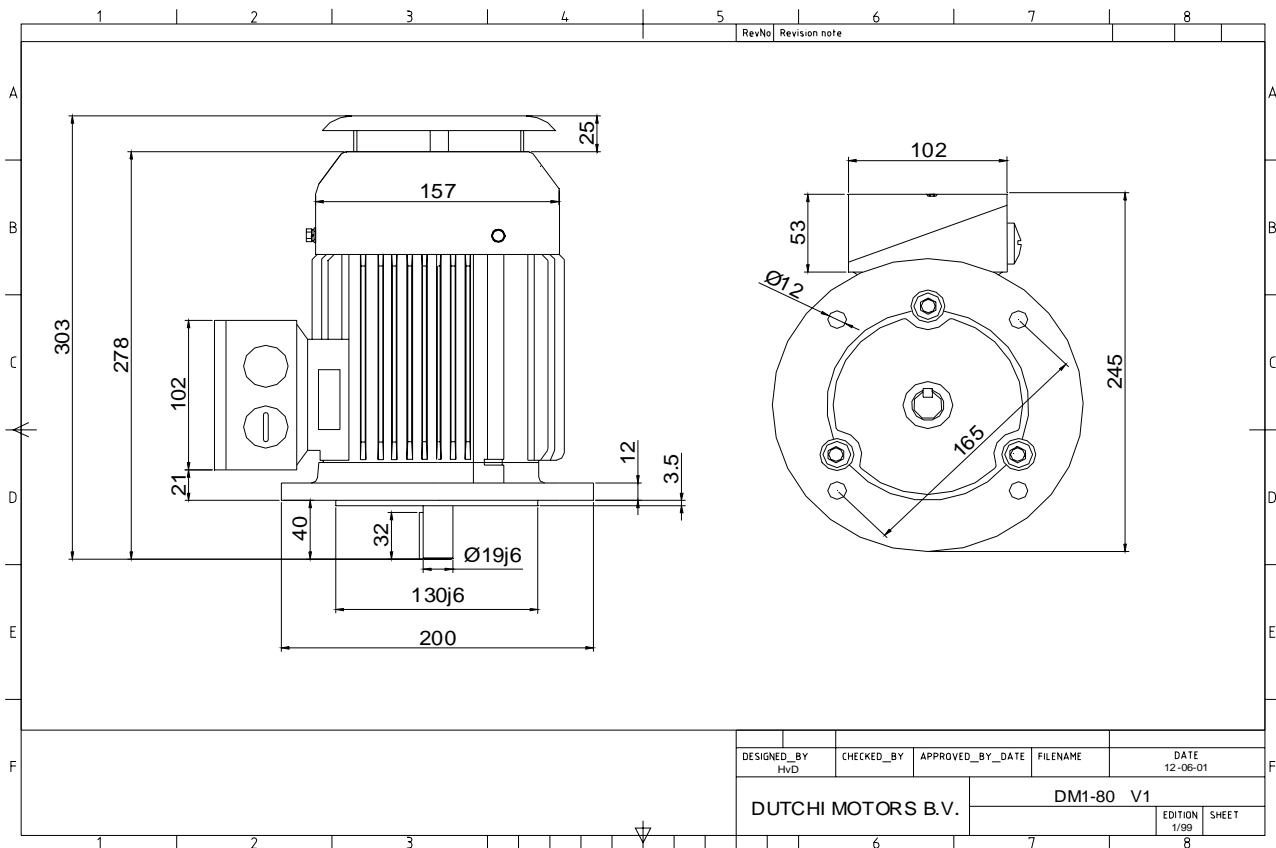
Specification	IEC 60034-1
Manufacturer	Dutchi Motors B.V.
Motor type	DM1- 80 K8
Rated power	0,18 kW S1 duty
Speed	695 r.p.m
Voltage	230 / 400 V
Frequency	50 Hz
Connection	Δ / Y
Amps full load	1,42 / 0,82 A
Amps no-load(400V)	0,80 A
Enclosure	IP 55
Insulation Class	F (temp. rise B (80 K))
Max. coolant temp.	40°C
Max. altitude	1.000 mtr, above sea level
Comment	3 x PTC 150°C
Cable entries	2 x M25x1,5 + 1 x M20x1,5 (ptc)
Feature	Cast-iron motor
Weight	19,0 kg
Catalog no.	11228018D
Warranty	12~18 months

Efficiency class	N/A			
Load data	100%	75%	50%	25%
Efficiency	53,6	50,7	41,5	23,8 %
Power factor	0,59	0,52	0,42	0,32
Sound pressure level (1m)				40,0 dB(A)
Resistance R20 (open)				37,25 Ω
Resistance R20	Y		74,50	Ω
Full load torque				2,47 Nm
DOL Starting torque vs FL torque				2,47
DOL Pull up torque vs FL torque				1,74
DOL Pull out torque vs FL torque				3,15
Star-Delta Starting torque vs FL torque				Y - motor
Star-Delta Pull up torque vs FL torque				Y - motor
Star-Delta Pull out torque vs FL torque				Y - motor
DOL Starting current vs FL current				2,89
Star Delta Starting current vs FL current				Y - motor
Rotor Inertia				0,0016 kgm ²
Bearing DE				6204 - ZZ
Bearing NDE				6204 - ZZ

Extras / Options :

WI	Change	date	sign.
Dutchi Motors B.V. P.O. Box 5390 NL-6802 EJ ARNHEM Tel : +31-(0)26 - 3541 600 Fax : +31-(0)26 - 3541 650		Discription Drawing made by :	date sign. HVD
dutchi.motors@dutchi.nl www.dutchi.com		19-04-04	

Power is our commodity, the world is our market !



Specification **IEC 60034-1**
 Manufacturer **Dutchi Motors B.V.**
 Motor type **DM1- 80 K8**
 Rated power **0,18** kW **S1** duty
 Speed **695** r.p.m
 Voltage **230 / 400** V
 Frequency **50** Hz
 Connection **Δ / Y**
 Amps full load **1,42 / 0,82** A
 Amps no-load(400V) **0,80** A
 Enclosure **IP 55**
 Insulation Class **F (temp. rise B (80 K))**

Max. coolant temp. **40°C**
 Max. altitude **1.000** mtr, above sea level
 Comment **3 x PTC 150°C**
 Cable entries **2 x M25x1,5 + 1 x M20x1,5 (ptc)**

Feature **Cast-iron motor**
 Weight **19,0** kg
 Catalog no. **11028018D**
 Warranty **12~18 months**

Efficiency class **N/A**
 Load data 100% 75% 50% 25%
 Efficiency **53,6 50,7 41,5 23,8** %
 Power factor **0,59 0,52 0,42 0,32**

Sound pressure level (1m) **40,0** dB(A)
 Resistance R20 (open) **37,25** Ω
 Resistance R20 **Y 74,50** Ω

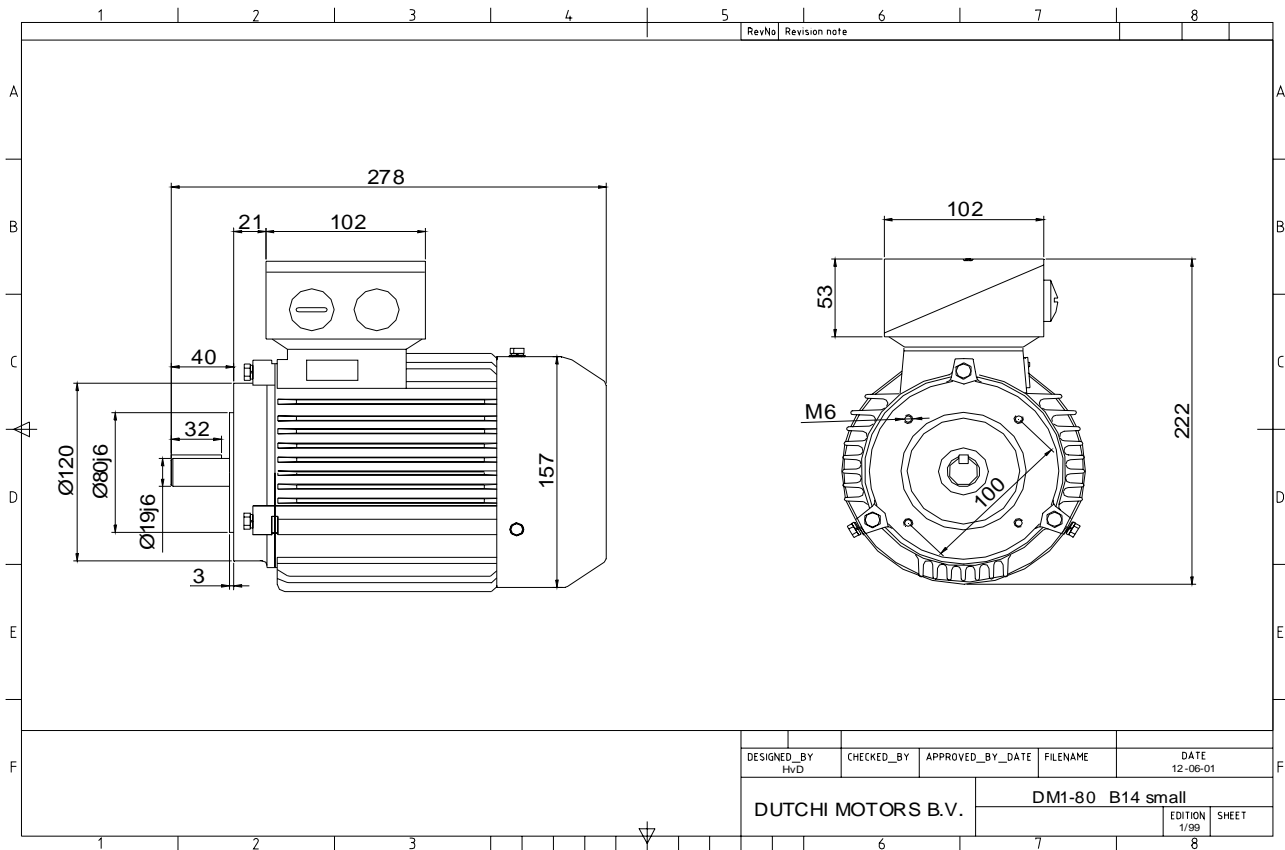
Full load torque **2,47** Nm
 DOL Starting torque vs FL torque **2,47**
 DOL Pull up torque vs FL torque **1,74**
 DOL Pull out torque vs FL torque **3,15**
 Star-Delta Starting torque vs FL torque **Y - motor**
 Star-Delta Pull up torque vs FL torque **Y - motor**
 Star-Delta Pull out torque vs FL torque **Y - motor**
 DOL Starting current vs FL current **2,89**
 Star Delta Starting current vs FL current **Y - motor**
 Rotor Inertia **0,0016** kgm2

Bearing DE **6204 - ZZ**
 Bearing NDE **6204 - ZZ**

Extras / Options :

WI	Change	date	sign.
Dutchi Motors B.V.		Description	date
P.O. Box 5390		Drawing made by :	19-04-04
NL-6802 EJ ARNHEM			
Tel : +31-(0)26 - 3541 600		dutchi.motors@dutchi.nl	
Fax : +31-(0)26 - 3541 650		www.dutchi.com	

Power is our commodity, the world is our market !



Specification **IEC 60034-1**
 Manufacturer **Dutchi Motors B.V.**
 Motor type **DM1- 80 K8**
 Rated power **0,18** kW **S1** duty
 Speed **695** r.p.m
 Voltage **230 / 400** V
 Frequency **50** Hz
 Connection **Δ / Y**
 Amps full load **1,42 / 0,82** A
 Amps no-load(400V) **0,80** A
 Enclosure **IP 55**
 Insulation Class **F (temp. rise B (80 K))**

Max. coolant temp. **40°C**
 Max. altitude **1.000** mtr, above sea level
 Comment **3 x PTC 150°C**
 Cable entries **2 x M25x1,5 + 1 x M20x1,5 (ptc)**

Feature **Cast-iron motor**
 Weight **19,0** kg
 Catalog no. **11328018D**
 Warranty **12~18 months**

Efficiency class **N/A**
 Load data 100% 75% 50% 25%
 Efficiency **53,6 50,7 41,5 23,8** %
 Power factor **0,59 0,52 0,42 0,32**

Sound pressure level (1m) **40,0** dB(A)
 Resistance R20 (open) **37,25** Ω
 Resistance R20 **Y 74,50** Ω

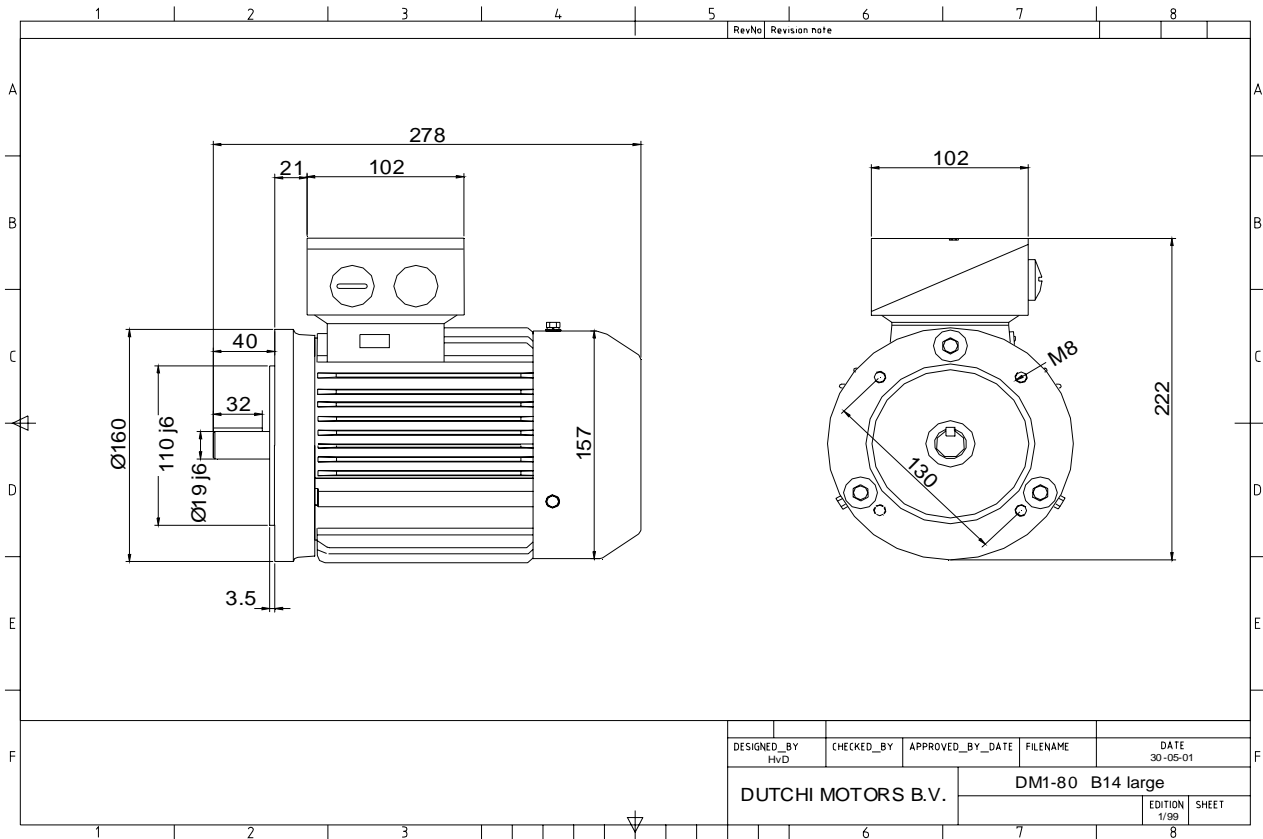
Full load torque **2,47** Nm
 DOL Starting torque vs FL torque **2,47**
 DOL Pull up torque vs FL torque **1,74**
 DOL Pull out torque vs FL torque **3,15**
 Star-Delta Starting torque vs FL torque **Y - motor**
 Star-Delta Pull up torque vs FL torque **Y - motor**
 Star-Delta Pull out torque vs FL torque **Y - motor**
 DOL Starting current vs FL current **2,89**
 Star Delta Starting current vs FL current **Y - motor**
 Rotor Inertia **0,0016** kgm2

Bearing DE **6204 - ZZ**
 Bearing NDE **6204 - ZZ**

Extras / Options :

WI	Change	date	sign.
Dutchi Motors B.V. P.O. Box 5390 NL-6802 EJ ARNHEM Tel : +31-(0)26 - 3541 600 Fax : +31-(0)26 - 3541 650		Description	date
		Drawing made by :	19-04-04
		dutchi.motors@dutchi.nl www.dutchi.com	

Power is our commodity, the world is our market !



Specification **IEC 60034-1**
 Manufacturer **Dutchi Motors B.V.**
 Motor type **DM1- 80 K8**
 Rated power **0,18** kW **S1** duty
 Speed **695** r.p.m
 Voltage **230 / 400** V
 Frequency **50** Hz
 Connection **Δ / Y**
 Amps full load **1,42 / 0,82** A
 Amps no-load(400V) **0,80** A
 Enclosure **IP 55**
 Insulation Class **F (temp. rise B (80 K))**

Max. coolant temp. **40°C**
 Max. altitude **1.000** mtr, above sea level
 Comment **3 x PTC 150°C**
 Cable entries **2 x M25x1,5 + 1 x M20x1,5 (ptc)**

Feature **Cast-iron motor**
 Weight **19,0** kg
 Catalog no. **11428018D**
 Warranty **12~18 months**

Efficiency class **N/A**
 Load data 100% 75% 50% 25%
 Efficiency **53,6 50,7 41,5 23,8** %
 Power factor **0,59 0,52 0,42 0,32**

Sound pressure level (1m) **40,0** dB(A)
 Resistance R20 (open) **37,25** Ω
 Resistance R20 **Y 74,50** Ω

Full load torque **2,47** Nm
 DOL Starting torque vs FL torque **2,47**
 DOL Pull up torque vs FL torque **1,74**
 DOL Pull out torque vs FL torque **3,15**
 Star-Delta Starting torque vs FL torque **Y - motor**
 Star-Delta Pull up torque vs FL torque **Y - motor**
 Star-Delta Pull out torque vs FL torque **Y - motor**
 DOL Starting current vs FL current **2,89**
 Star Delta Starting current vs FL current **Y - motor**
 Rotor Inertia **0,0016** kgm²

Bearing DE **6204 - ZZ**
 Bearing NDE **6204 - ZZ**

Extras / Options :

WI	Change	date	sign.
Dutchi Motors B.V.		Description	date
P.O. Box 5390		Drawing made by :	19-04-04
NL-6802 EJ ARNHEM			
Tel : +31-(0)26 - 3541 600		dutchi.motors@dutchi.nl	
Fax : +31-(0)26 - 3541 650		www.dutchi.com	