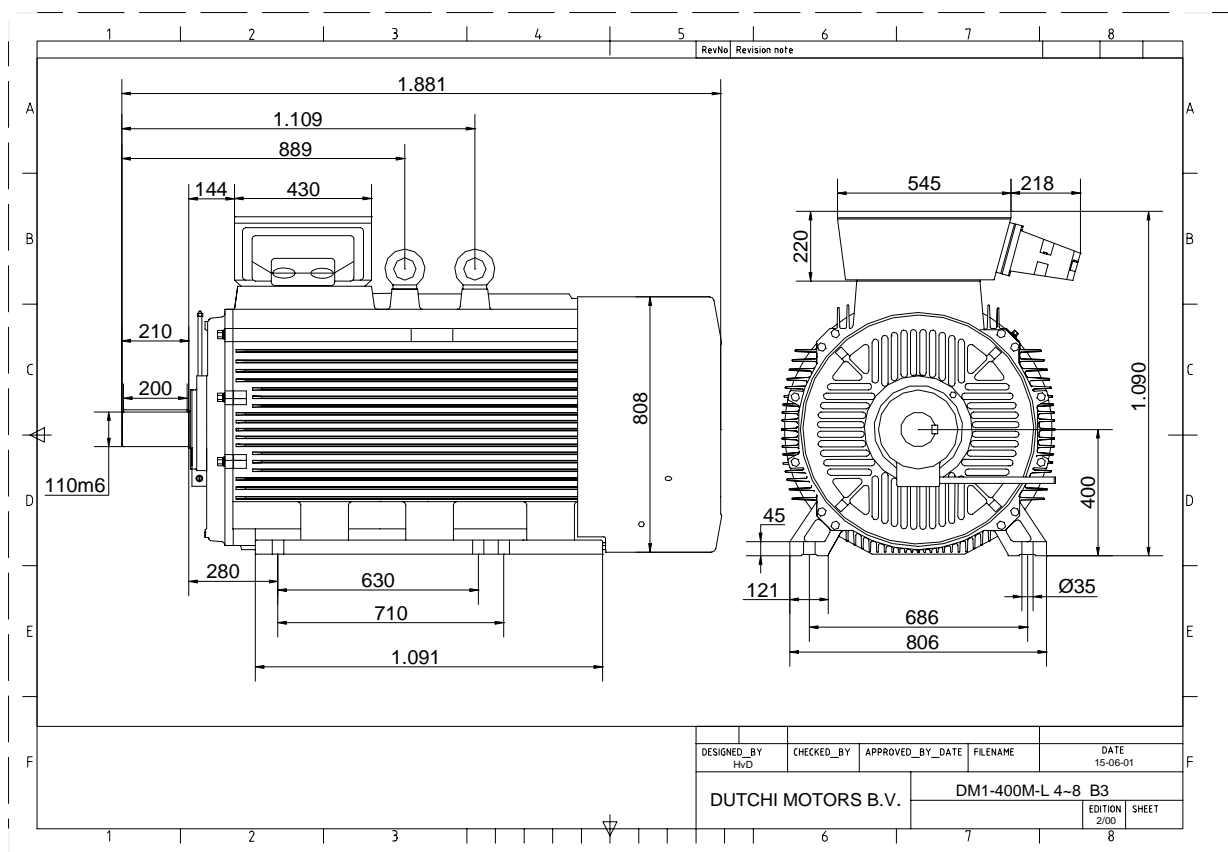


Power is our commodity, the world is our market !



Specification **IEC 60034-1**
 Manufacturer **Dutchi Motors B.V.**
 Motor type **DM1- 400 M8**
 Rated power **250** kW **S1** duty
 Speed **740** r.p.m
 Voltage **400** / **690** V
 Frequency **50** Hz
 Connection **Δ** / **Y**
 Amps full load **473** / **273** A
 Amps no-load(400V) **224** A
 Enclosure **IP 55**
 Insulation Class **F (temp. rise B (80 K))**

Max. coolant temp. **40°C**
 Max. altitude **1.000** mtr, above sea level
 Comment **3 x PTC 150°C**
 Cable entries **2 x Ø 100 mm + 1 x M20x1,5 (ptc)**

Feature **Cast-iron motor**
 Weight **3120** kg
 Catalog no. **11138C50D**
 Warranty **12~18 months**

Efficiency class **N/A**
 Load data 100% 75% 50% 25%
 Efficiency **95,1 94,5 92,8 87,4** %
 Power factor **0,80 0,74 0,64 0,43**

Sound pressure level (1m) **78,1** dB(A)
 Resistance R20 (open) **0,00660** Ω
 Resistance R20 **Δ 0,00440** Ω

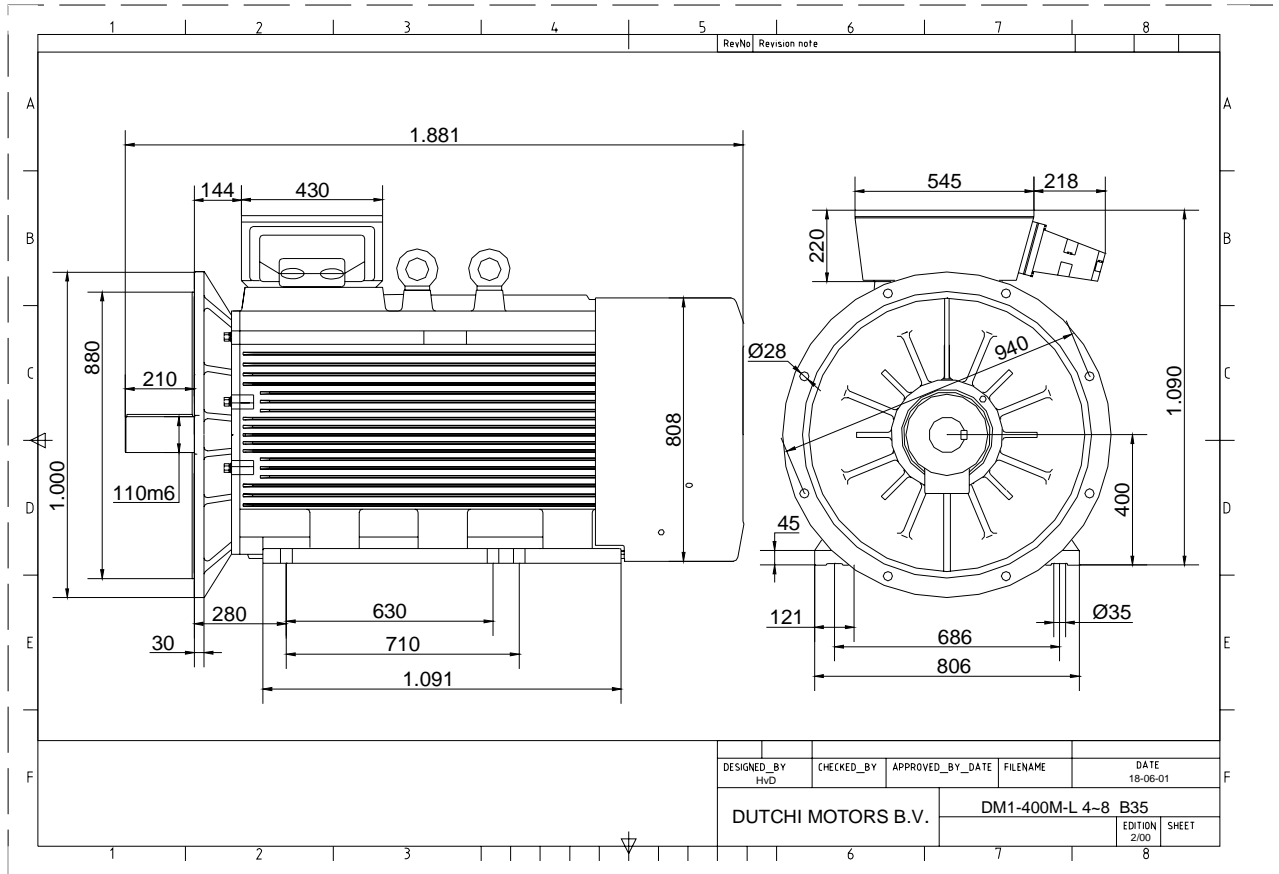
Full load torque **3226** Nm
 DOL Starting torque vs FL torque **1,37**
 DOL Pull up torque vs FL torque **1,29**
 DOL Pull out torque vs FL torque **3,76**
 Star-Delta Starting torque vs FL torque **0,43**
 Star-Delta Pull up torque vs FL torque **0,40**
 Star-Delta Pull out torque vs FL torque **1,18**
 DOL Starting current vs FL current **6,84**
 Star Delta Starting current vs FL current **2,14**
 Rotor Inertia **25,40** kgm²

Bearing DE **6326 - C3 or NU326**
 Bearing NDE **6326 - C3 (IM V1 7326B)**

Extras / Options :
Terminal box with extra 7 x M63x1,5

WI	Change	date	sign.
Dutchi Motors B.V.		Description	date
P.O. Box 5390		Drawing made by :	19-04-04
NL-6802 EJ ARNHEM			HvD
Tel : +31-(0)26 - 3541 600		dutchi.motors@dutchi.nl	
Fax : +31-(0)26 - 3541 650		www.dutchi.com	

Power is our commodity, the world is our market !



Specification	IEC 60034-1
Manufacturer	Dutchi Motors B.V.
Motor type	DM1- 400 M8
Rated power	250 kW S1 duty
Speed	740 r.p.m
Voltage	400 / 690 V
Frequency	50 Hz
Connection	Δ / Y
Amps full load	473 / 273 A
Amps no-load(400V)	224 A
Enclosure	IP 55
Insulation Class	F (temp. rise B (80 K))

Max. coolant temp.	40°C
Max. altitude	1.000 mtr, above sea level
Comment	3 x PTC 150°C
Cable entries	2 x Ø 100 mm + 1 x M20x1,5 (ptc)

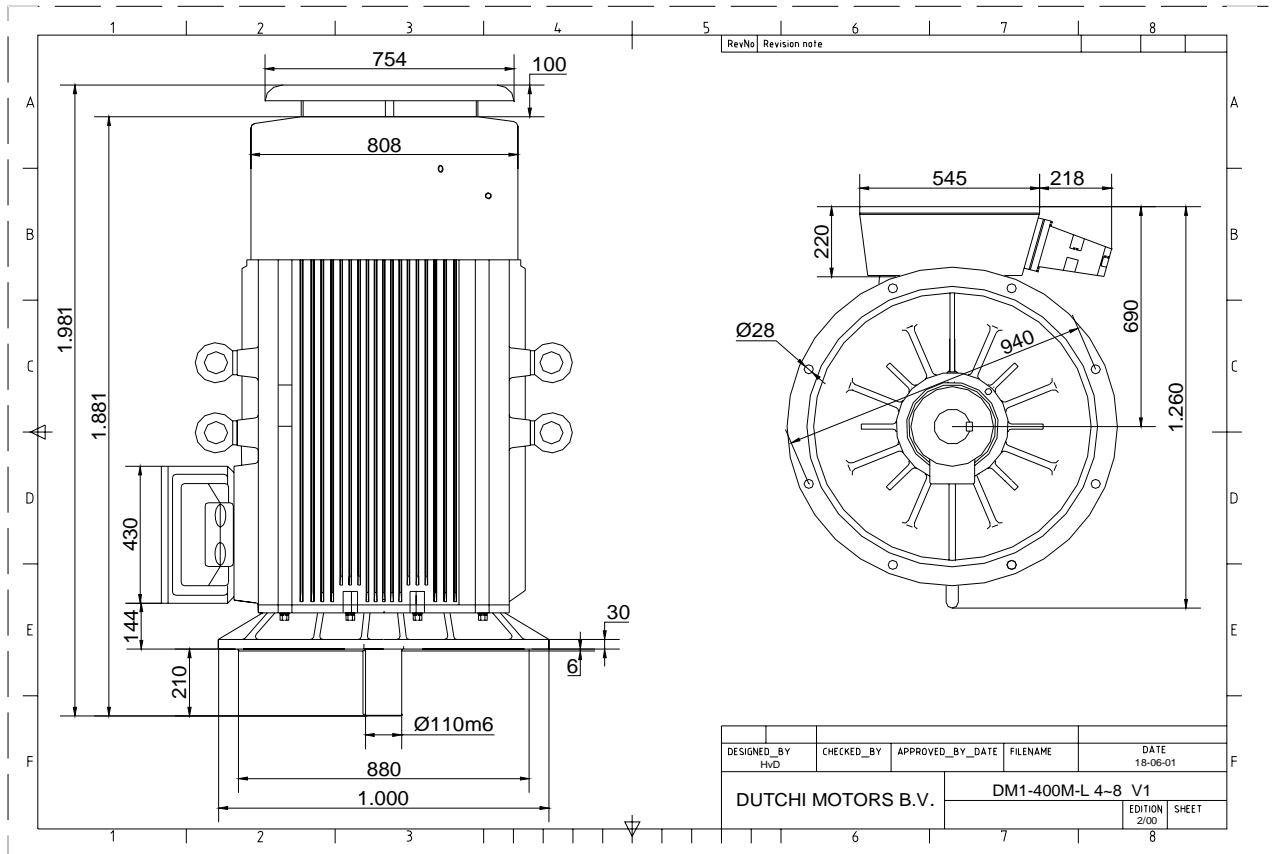
Feature	Cast-iron motor
Weight	3120 kg
Catalog no.	11538C50D
Warranty	12~18 months

Efficiency class	N/A			
Load data	100%	75%	50%	25%
Efficiency	95,1	94,5	92,8	87,4 %
Power factor	0,80	0,74	0,64	0,43
Sound pressure level (1m)				78,1 dB(A)
Resistance R20 (open)				0,00660 Ω
Resistance R20	Δ			0,00440 Ω
Full load torque				3226 Nm
DOL Starting torque vs FL torque				1,37
DOL Pull up torque vs FL torque				1,29
DOL Pull out torque vs FL torque				3,76
Star-Delta Starting torque vs FL torque				0,43
Star-Delta Pull up torque vs FL torque				0,40
Star-Delta Pull out torque vs FL torque				1,18
DOL Starting current vs FL current				6,84
Star Delta Starting current vs FL current				2,14
Rotor Inertia				25,40 kgm ²
Bearing DE				6326 - C3 or NU326
Bearing NDE				6326 - C3 (IM V1 7326B)

Extras / Options :
Terminal box with extra 7 x M63x1,5

WI	Change	date	sign.
Dutchi Motors B.V.		Discription	date
P.O. Box 5390		Drawing made by :	19-04-04
NL-6802 EJ ARNHEM			
Tel : +31-(0)26 - 3541 600		dutchi.motors@dutchi.nl	
Fax : +31-(0)26 - 3541 650		www.dutchi.com	

Power is our commodity, the world is our market !



Specification	IEC 60034-1
Manufacturer	Dutchi Motors B.V.
Motor type	DM1- 400 M8
Rated power	250 kW S1 duty
Speed	740 r.p.m
Voltage	400 / 690 V
Frequency	50 Hz
Connection	Δ / Y
Amps full load	473 / 273 A
Amps no-load(400V)	224 A
Enclosure	IP 55
Insulation Class	F (temp. rise B (80 K))
Max. coolant temp.	40°C
Max. altitude	1.000 mtr, above sea level
Comment	3 x PTC 150°C
Cable entries	2 x Ø 100 mm + 1 x M20x1,5 (ptc)
Feature	Cast-iron motor
Weight	3120 kg
Catalog no.	11038C50D
Warranty	12~18 months

Efficiency class	N/A			
Load data	100%	75%	50%	25%
Efficiency	95,1	94,5	92,8	87,4 %
Power factor	0,80	0,74	0,64	0,43
Sound pressure level (1m)				78,1 dB(A)
Resistance R20 (open)				0,00660 Ω
Resistance R20	Δ			0,00440 Ω
Full load torque				3226 Nm
DOL Starting torque vs FL torque				1,37
DOL Pull up torque vs FL torque				1,29
DOL Pull out torque vs FL torque				3,76
Star-Delta Starting torque vs FL torque				0,43
Star-Delta Pull up torque vs FL torque				0,40
Star-Delta Pull out torque vs FL torque				1,18
DOL Starting current vs FL current				6,84
Star Delta Starting current vs FL current				2,14
Rotor Inertia				25,40 kgm ²
Bearing DE				6326 - C3 or NU326
Bearing NDE				6326 - C3 (IM V1 7326B)

Extras / Options :
Terminal box with extra 7 x M63x1,5

WI	Change	date	sign.
Dutchi Motors B.V.		Discription	date
P.O. Box 5390		Drawing made by :	19-04-04
NL-6802 EJ ARNHEM			
Tel : +31-(0)26 - 3541 600		dutchi.motors@dutchi.nl	
Fax : +31-(0)26 - 3541 650		www.dutchi.com	