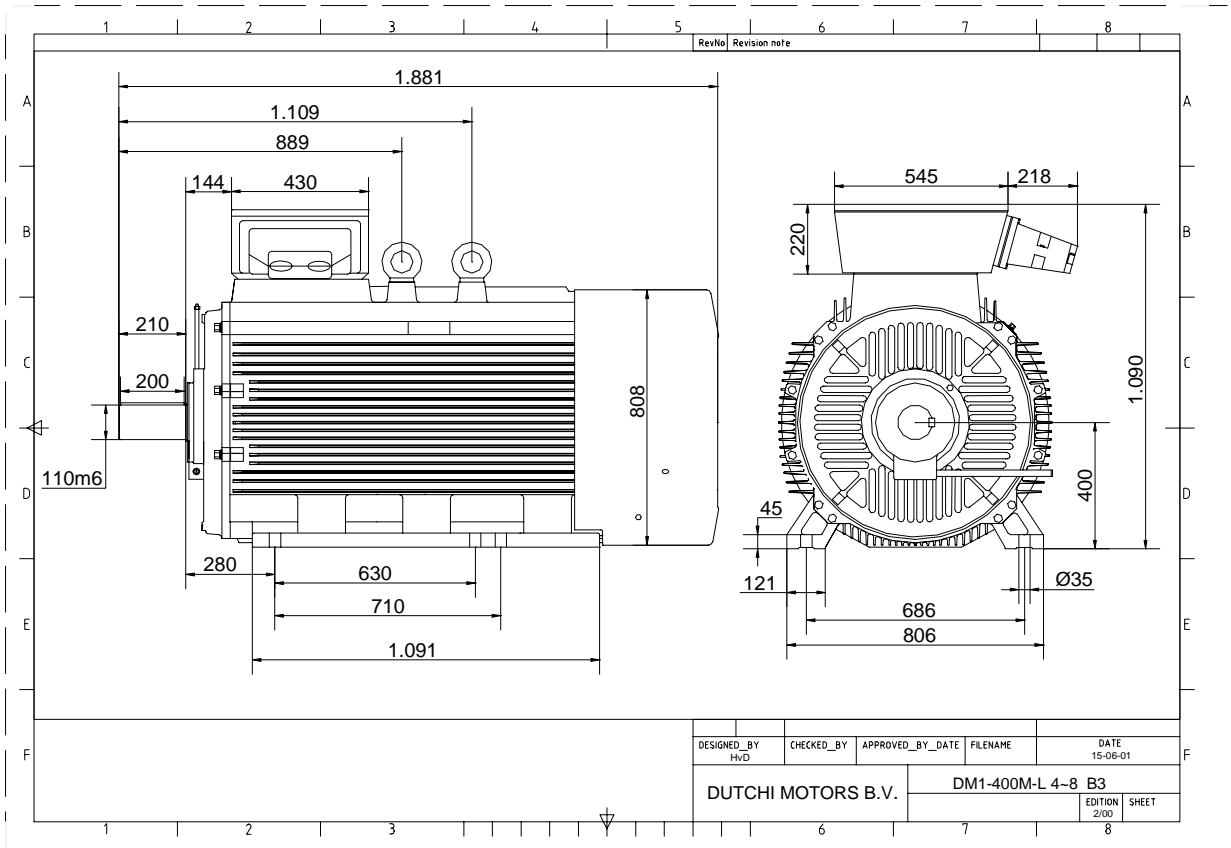


Power is our commodity, the world is our market !



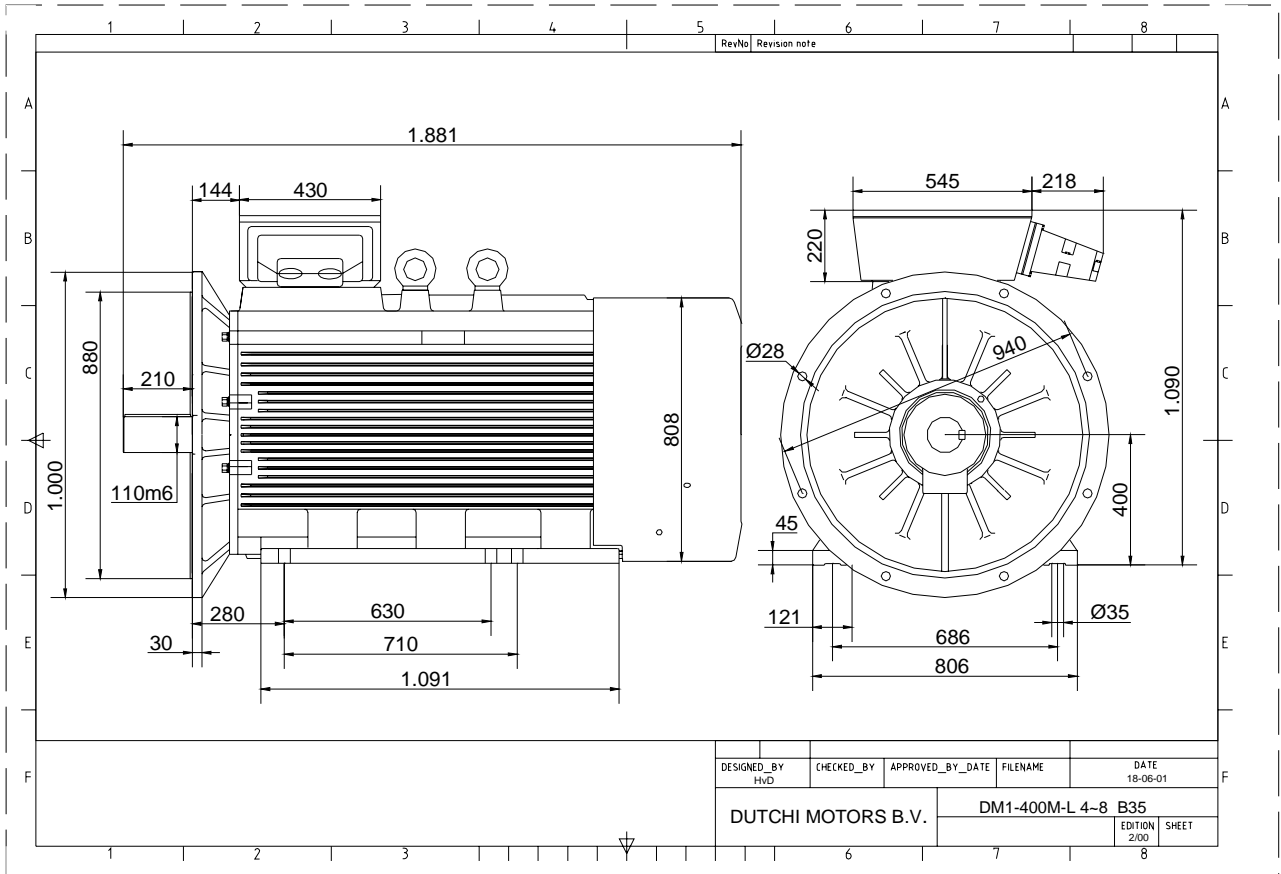
| | |
|--------------------|---|
| Specification | IEC 60034-1 |
| Manufacturer | Dutchi Motors B.V. |
| Motor type | DM1- 400 LY8 |
| Rated power | 400 kW S1 duty |
| Speed | 745 r.p.m |
| Voltage | 400 / 690 V |
| Frequency | 50 Hz |
| Connection | Δ / Y |
| Amps full load | 747 / 431 A |
| Amps no-load(400V) | 284 A |
| Enclosure | IP 55 |
| Insulation Class | F (temp. rise B (80 K)) |
| Max. coolant temp. | 40°C |
| Max. altitude | 1.000 mtr, above sea level |
| Comment | 3 x PTC 150°C |
| Cable entries | 2 x Ø 100 mm + 1 x M20x1,5 (ptc) |
| Feature | Cast-iron motor |
| Weight | 3210 kg |
| Catalog no. | 11138E00D |
| Warranty | 12~18 months |

| | | | | |
|---|--------------------------------|-------------|-------------|---------------|
| Efficiency class | N/A | | | |
| Load data | 100% | 75% | 50% | 25% |
| Efficiency | 95,2 | 95,0 | 93,9 | 90,0 % |
| Power factor | 0,81 | 0,78 | 0,70 | 0,53 |
| Sound pressure level (1m) | 78,0 dB(A) | | | |
| Resistance R20 (open) | 0,00463 Ω | | | |
| Resistance R20 | Δ 0,00308 Ω | | | |
| Full load torque | 5128 Nm | | | |
| DOL Starting torque vs FL torque | 1,12 | | | |
| DOL Pull up torque vs FL torque | 1,07 | | | |
| DOL Pull out torque vs FL torque | 3,05 | | | |
| Star-Delta Starting torque vs FL torque | 0,35 | | | |
| Star-Delta Pull up torque vs FL torque | 0,33 | | | |
| Star-Delta Pull out torque vs FL torque | 0,95 | | | |
| DOL Starting current vs FL current | 5,70 | | | |
| Star Delta Starting current vs FL current | 1,78 | | | |
| Rotor Inertia | 31,10 kgm ² | | | |
| Bearing DE | 6326 - C3 or NU326 | | | |
| Bearing NDE | 6326 - C3 (IM V1 7326B) | | | |

| |
|--|
| |
| |
| |
| Extras / Options : |
| Terminal box with extra 7 x M63x1,5 |
| |
| |

| | | | |
|----------------------------|--------|--------------------------------|----------|
| WI | Change | date | sign. |
| | | | |
| Dutchi Motors B.V. | | Discription | date |
| P.O. Box 5390 | | Drawing made by : | 19-04-04 |
| NL-6802 EJ ARNHEM | | | |
| Tel : +31-(0)26 - 3541 600 | | dutchi.motors@dutchi.nl | |
| Fax : +31-(0)26 - 3541 650 | | www.dutchi.com | |

Power is our commodity, the world is our market !



| | |
|--------------------|--------------------------------|
| Specification | IEC 60034-1 |
| Manufacturer | Dutchi Motors B.V. |
| Motor type | DM1- 400 LY8 |
| Rated power | 400 kW S1 duty |
| Speed | 745 r.p.m |
| Voltage | 400 / 690 V |
| Frequency | 50 Hz |
| Connection | Δ / Y |
| Amps full load | 747 / 431 A |
| Amps no-load(400V) | 284 A |
| Enclosure | IP 55 |
| Insulation Class | F (temp. rise B (80 K)) |

| | |
|--------------------|---|
| Max. coolant temp. | 40°C |
| Max. altitude | 1.000 mtr, above sea level |
| Comment | 3 x PTC 150°C |
| Cable entries | 2 x Ø 100 mm + 1 x M20x1,5 (ptc) |

| | |
|-------------|------------------------|
| Feature | Cast-iron motor |
| Weight | 3210 kg |
| Catalog no. | 11538E00D |
| Warranty | 12~18 months |

| | | | | |
|---------------------------|-------------|-------------|-------------|-------------------|
| Efficiency class | N/A | | | |
| Load data | 100% | 75% | 50% | 25% |
| Efficiency | 95,2 | 95,0 | 93,9 | 90,0 % |
| Power factor | 0,81 | 0,78 | 0,70 | 0,53 |
| Sound pressure level (1m) | | | | 78,0 dB(A) |
| Resistance R20 (open) | | | | 0,00463 Ω |
| Resistance R20 | Δ | | | 0,00308 Ω |

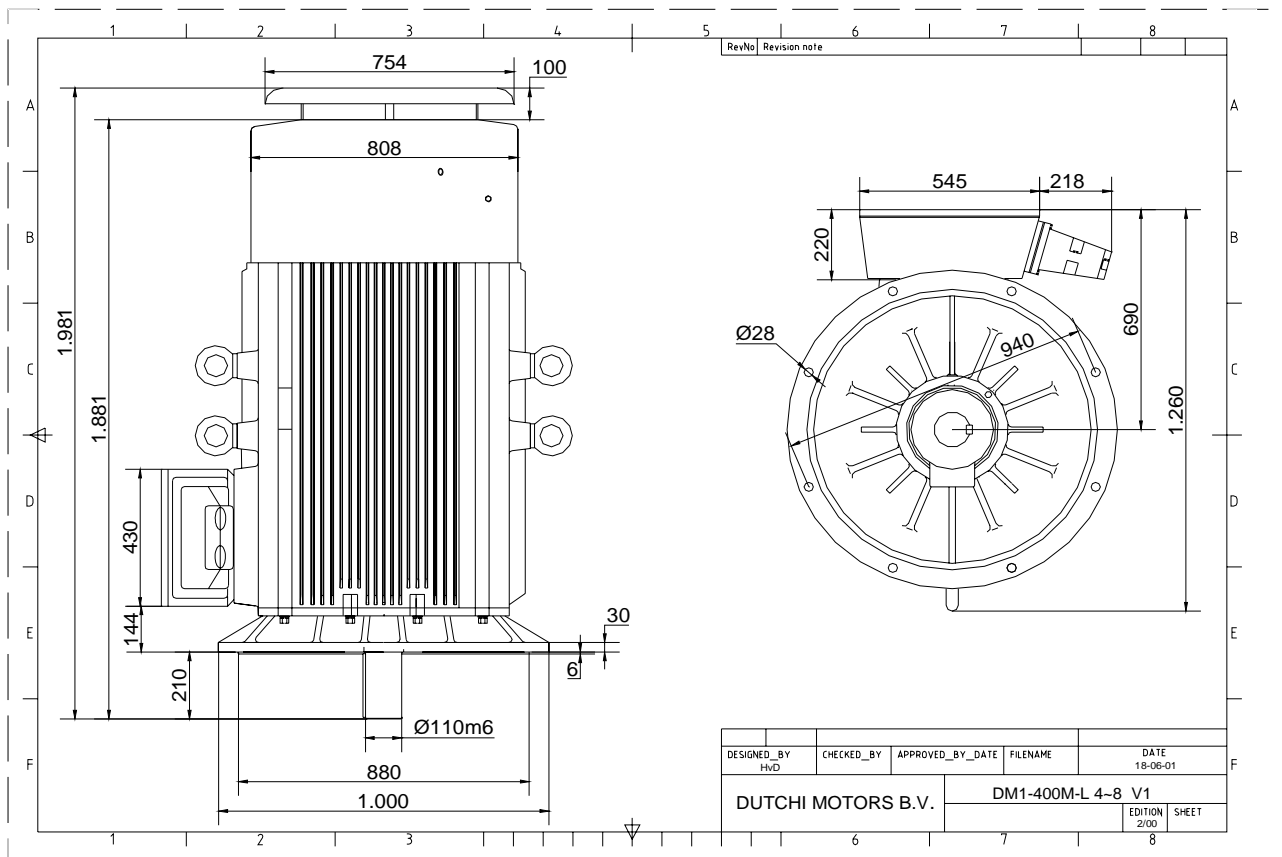
| | | |
|---|--------------|------------------|
| Full load torque | 5128 | Nm |
| DOL Starting torque vs FL torque | 1,12 | |
| DOL Pull up torque vs FL torque | 1,07 | |
| DOL Pull out torque vs FL torque | 3,05 | |
| Star-Delta Starting torque vs FL torque | 0,35 | |
| Star-Delta Pull up torque vs FL torque | 0,33 | |
| Star-Delta Pull out torque vs FL torque | 0,95 | |
| DOL Starting current vs FL current | 5,70 | |
| Star Delta Starting current vs FL current | 1,78 | |
| Rotor Inertia | 31,10 | kgm ² |

| | |
|-------------|--------------------------------|
| Bearing DE | 6326 - C3 or NU326 |
| Bearing NDE | 6326 - C3 (IM V1 7326B) |

| |
|--|
| |
| |
| |
| Extras / Options : |
| Terminal box with extra 7 x M63x1,5 |
| |
| |

| | | | |
|----------------------------|--------|--------------------------------|----------|
| WI | Change | date | sign. |
| | | | |
| Dutchi Motors B.V. | | Discription | date |
| P.O. Box 5390 | | Drawing made by : | 19-04-04 |
| NL-6802 EJ ARNHEM | | | |
| Tel : +31-(0)26 - 3541 600 | | dutchi.motors@dutchi.nl | |
| Fax : +31-(0)26 - 3541 650 | | www.dutchi.com | |

Power is our commodity, the world is our market !



| | |
|--------------------|---|
| Specification | IEC 60034-1 |
| Manufacturer | Dutchi Motors B.V. |
| Motor type | DM1- 400 LY8 |
| Rated power | 400 kW S1 duty |
| Speed | 745 r.p.m |
| Voltage | 400 / 690 V |
| Frequency | 50 Hz |
| Connection | Δ / Y |
| Amps full load | 747 / 431 A |
| Amps no-load(400V) | 284 A |
| Enclosure | IP 55 |
| Insulation Class | F (temp. rise B (80 K)) |
| Max. coolant temp. | 40°C |
| Max. altitude | 1.000 mtr, above sea level |
| Comment | 3 x PTC 150°C |
| Cable entries | 2 x Ø 100 mm + 1 x M20x1,5 (ptc) |
| Feature | Cast-iron motor |
| Weight | 3210 kg |
| Catalog no. | 11038E00D |
| Warranty | 12~18 months |

| | | | | |
|---|-------------|-------------|-------------|--------------------------------|
| Efficiency class | N/A | | | |
| Load data | 100% | 75% | 50% | 25% |
| Efficiency | 95,2 | 95,0 | 93,9 | 90,0 % |
| Power factor | 0,81 | 0,78 | 0,70 | 0,53 |
| Sound pressure level (1m) | | | | 78,0 dB(A) |
| Resistance R20 (open) | | | | 0,00463 Ω |
| Resistance R20 | Δ | | | 0,00308 Ω |
| Full load torque | | | | 5128 Nm |
| DOL Starting torque vs FL torque | | | | 1,12 |
| DOL Pull up torque vs FL torque | | | | 1,07 |
| DOL Pull out torque vs FL torque | | | | 3,05 |
| Star-Delta Starting torque vs FL torque | | | | 0,35 |
| Star-Delta Pull up torque vs FL torque | | | | 0,33 |
| Star-Delta Pull out torque vs FL torque | | | | 0,95 |
| DOL Starting current vs FL current | | | | 5,70 |
| Star Delta Starting current vs FL current | | | | 1,78 |
| Rotor Inertia | | | | 31,10 kgm ² |
| Bearing DE | | | | 6326 - C3 or NU326 |
| Bearing NDE | | | | 6326 - C3 (IM V1 7326B) |

| |
|--|
| |
| |
| |
| Extras / Options : |
| Terminal box with extra 7 x M63x1,5 |
| |
| |

| | | | |
|----------------------------|--------|--------------------------------|----------|
| WI | Change | date | sign. |
| | | | |
| Dutchi Motors B.V. | | Discription | date |
| P.O. Box 5390 | | Drawing made by : | 19-04-04 |
| NL-6802 EJ ARNHEM | | | |
| Tel : +31-(0)26 - 3541 600 | | dutchi.motors@dutchi.nl | |
| Fax : +31-(0)26 - 3541 650 | | www.dutchi.com | |