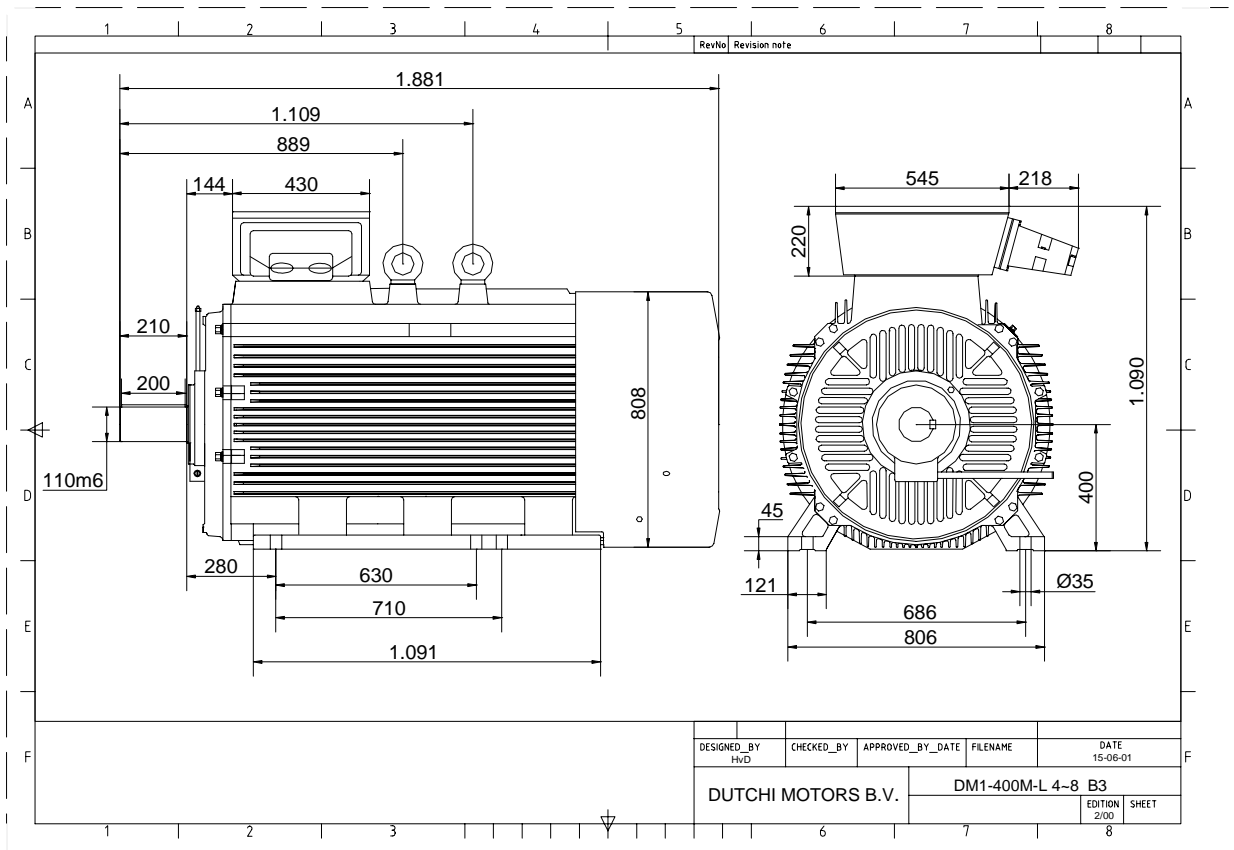


Power is our commodity, the world is our market !



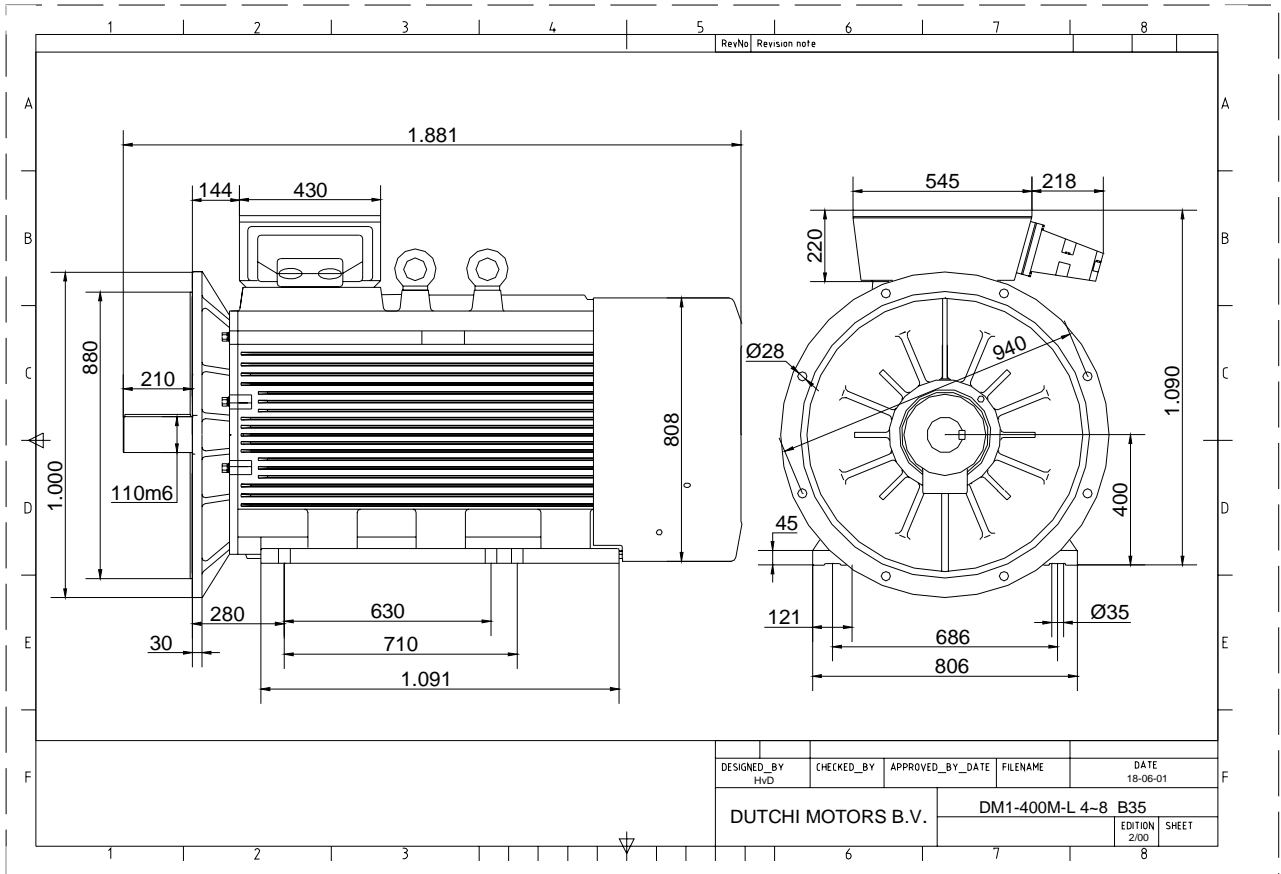
Specification	<b>IEC 60034-1</b>
Manufacturer	<b>Dutchi Motors B.V.</b>
Motor type	<b>DM1- 400 LX8</b>
Rated power	<b>355</b> kW <b>S1</b> duty
Speed	<b>740</b> r.p.m
Voltage	<b>400</b> / <b>690</b> V
Frequency	<b>50</b> Hz
Connection	<b>Δ</b> / <b>Y</b>
Amps full load	<b>651</b> / <b>376</b> A
Amps no-load(400V)	<b>276</b> A
Enclosure	<b>IP 55</b>
Insulation Class	<b>F (temp. rise B (80 K))</b>
Max. coolant temp.	<b>40°C</b>
Max. altitude	<b>1.000</b> mtr, above sea level
Comment	<b>3 x PTC 150°C</b>
Cable entries	<b>2 x Ø 100 mm + 1 x M20x1,5 (ptc)</b>
Feature	<b>Cast-iron motor</b>
Weight	<b>3180</b> kg
Catalog no.	<b>11138D55D</b>
Warranty	<b>12~18 months</b>

Efficiency class	<b>N/A</b>			
Load data	100%	75%	50%	25%
Efficiency	<b>95,5</b>	<b>95,2</b>	<b>94,0</b>	<b>89,9</b> %
Power factor	<b>0,82</b>	<b>0,78</b>	<b>0,68</b>	<b>0,45</b>
Sound pressure level (1m)	<b>72,3</b> dB(A)			
Resistance R20 (open)	<b>0,00551</b> Ω			
Resistance R20	<b>Δ 0,00367</b> Ω			
Full load torque	<b>4581</b> Nm			
DOL Starting torque vs FL torque	<b>1,24</b>			
DOL Pull up torque vs FL torque	<b>1,11</b>			
DOL Pull out torque vs FL torque	<b>2,98</b>			
Star-Delta Starting torque vs FL torque	<b>0,39</b>			
Star-Delta Pull up torque vs FL torque	<b>0,35</b>			
Star-Delta Pull out torque vs FL torque	<b>0,93</b>			
DOL Starting current vs FL current	<b>5,92</b>			
Star Delta Starting current vs FL current	<b>1,85</b>			
Rotor Inertia	<b>29,20</b> kgm <sup>2</sup>			
Bearing DE	<b>6326 - C3 or NU326</b>			
Bearing NDE	<b>6326 - C3 (IM V1 7326B)</b>			

<b>Extras / Options :</b>
<b>Terminal box with extra 7 x M63x1,5</b>

WI	Change	date	sign.
<b>Dutchi Motors B.V.</b> P.O. Box 5390 NL-6802 EJ ARNHEM Tel : +31-(0)26 - 3541 600 Fax : +31-(0)26 - 3541 650		Discription Drawing made by :	date 19-04-04 sign. Hvd
		<b>dutchi.motors@dutchi.nl</b> <b>www.dutchi.com</b>	

Power is our commodity, the world is our market !



DESIGNED_BY HvD	CHECKED_BY	APPROVED_BY_DATE	FILENAME	DATE 18-06-01
DUTCHI MOTORS B.V.			DM1-400M-L 4-8 B35	EDITION 2/00
				SHEET

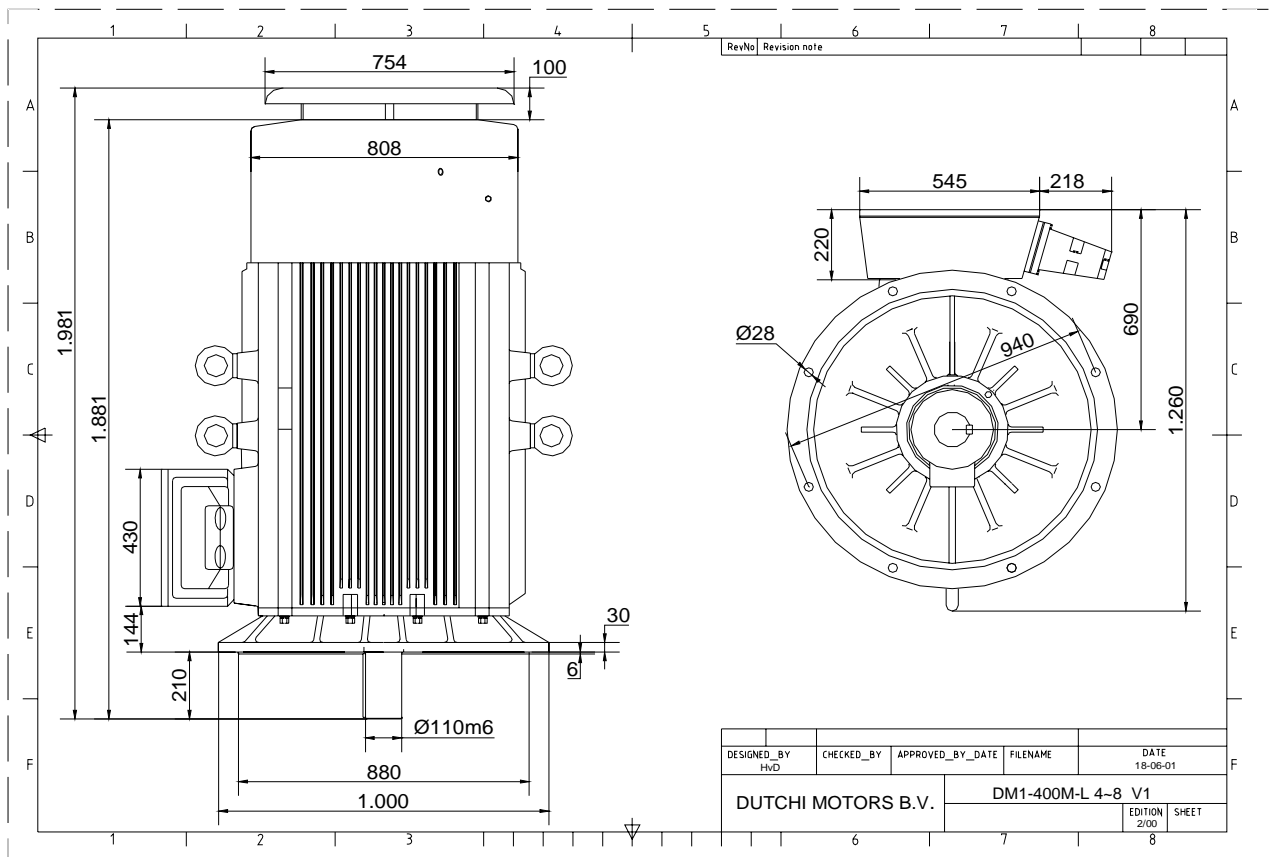
Specification	<b>IEC 60034-1</b>
Manufacturer	<b>Dutchi Motors B.V.</b>
Motor type	<b>DM1- 400 LX8</b>
Rated power	<b>355</b> kW <b>S1</b> duty
Speed	<b>740</b> r.p.m
Voltage	<b>400 / 690</b> V
Frequency	<b>50</b> Hz
Connection	<b>Δ / Y</b>
Amps full load	<b>651 / 376</b> A
Amps no-load(400V)	<b>276</b> A
Enclosure	<b>IP 55</b>
Insulation Class	<b>F (temp. rise B (80 K))</b>
Max. coolant temp.	<b>40°C</b>
Max. altitude	<b>1.000</b> mtr, above sea level
Comment	<b>3 x PTC 150°C</b>
Cable entries	<b>2 x Ø 100 mm + 1 x M20x1,5 (ptc)</b>
Feature	<b>Cast-iron motor</b>
Weight	<b>3180</b> kg
Catalog no.	<b>11538D55D</b>
Warranty	<b>12~18 months</b>

Efficiency class	<b>N/A</b>			
Load data	100%	75%	50%	25%
Efficiency	<b>95,5</b>	<b>95,2</b>	<b>94,0</b>	<b>89,9</b> %
Power factor	<b>0,82</b>	<b>0,78</b>	<b>0,68</b>	<b>0,45</b>
Sound pressure level (1m)				<b>72,3</b> dB(A)
Resistance R20 (open)				<b>0,00551</b> Ω
Resistance R20	<b>Δ</b>			<b>0,00367</b> Ω
Full load torque				<b>4581</b> Nm
DOL Starting torque vs FL torque				<b>1,24</b>
DOL Pull up torque vs FL torque				<b>1,11</b>
DOL Pull out torque vs FL torque				<b>2,98</b>
Star-Delta Starting torque vs FL torque				<b>0,39</b>
Star-Delta Pull up torque vs FL torque				<b>0,35</b>
Star-Delta Pull out torque vs FL torque				<b>0,93</b>
DOL Starting current vs FL current				<b>5,92</b>
Star Delta Starting current vs FL current				<b>1,85</b>
Rotor Inertia				<b>29,20</b> kgm <sup>2</sup>
Bearing DE				<b>6326 - C3 or NU326</b>
Bearing NDE				<b>6326 - C3 (IM V1 7326B)</b>

<b>Extras / Options :</b>
<b>Terminal box with extra 7 x M63x1,5</b>

WI	Change	date	sign.
<b>Dutchi Motors B.V.</b>		Discription	date
P.O. Box 5390		Drawing made by :	19-04-04
NL-6802 EJ ARNHEM			
Tel : +31-(0)26 - 3541 600		<b>dutchi.motors@dutchi.nl</b>	
Fax : +31-(0)26 - 3541 650		<b>www.dutchi.com</b>	

Power is our commodity, the world is our market !



Specification	<b>IEC 60034-1</b>
Manufacturer	<b>Dutchi Motors B.V.</b>
Motor type	<b>DM1- 400 LX8</b>
Rated power	<b>355</b> kW <b>S1</b> duty
Speed	<b>740</b> r.p.m
Voltage	<b>400 / 690</b> V
Frequency	<b>50</b> Hz
Connection	<b>Δ / Y</b>
Amps full load	<b>651 / 376</b> A
Amps no-load(400V)	<b>276</b> A
Enclosure	<b>IP 55</b>
Insulation Class	<b>F (temp. rise B (80 K))</b>
Max. coolant temp.	<b>40°C</b>
Max. altitude	<b>1.000</b> mtr, above sea level
Comment	<b>3 x PTC 150°C</b>
Cable entries	<b>2 x Ø 100 mm + 1 x M20x1,5 (ptc)</b>
Feature	<b>Cast-iron motor</b>
Weight	<b>3180</b> kg
Catalog no.	<b>11038D55D</b>
Warranty	<b>12~18 months</b>

Efficiency class	<b>N/A</b>			
Load data	100%	75%	50%	25%
Efficiency	<b>95,5</b>	<b>95,2</b>	<b>94,0</b>	<b>89,9</b> %
Power factor	<b>0,82</b>	<b>0,78</b>	<b>0,68</b>	<b>0,45</b>
Sound pressure level (1m)				<b>72,3</b> dB(A)
Resistance R20 (open)				<b>0,00551</b> Ω
Resistance R20	<b>Δ</b>			<b>0,00367</b> Ω
Full load torque				<b>4581</b> Nm
DOL Starting torque vs FL torque				<b>1,24</b>
DOL Pull up torque vs FL torque				<b>1,11</b>
DOL Pull out torque vs FL torque				<b>2,98</b>
Star-Delta Starting torque vs FL torque				<b>0,39</b>
Star-Delta Pull up torque vs FL torque				<b>0,35</b>
Star-Delta Pull out torque vs FL torque				<b>0,93</b>
DOL Starting current vs FL current				<b>5,92</b>
Star Delta Starting current vs FL current				<b>1,85</b>
Rotor Inertia				<b>29,20</b> kgm <sup>2</sup>
Bearing DE				<b>6326 - C3 or NU326</b>
Bearing NDE				<b>6326 - C3 (IM V1 7326B)</b>

<b>Extras / Options :</b>
<b>Terminal box with extra 7 x M63x1,5</b>

WI	Change	date	sign.
<b>Dutchi Motors B.V.</b>		Discription	date
P.O. Box 5390		Drawing made by :	19-04-04
NL-6802 EJ ARNHEM			
Tel : +31-(0)26 - 3541 600		<b>dutchi.motors@dutchi.nl</b>	
Fax : +31-(0)26 - 3541 650		<b>www.dutchi.com</b>	