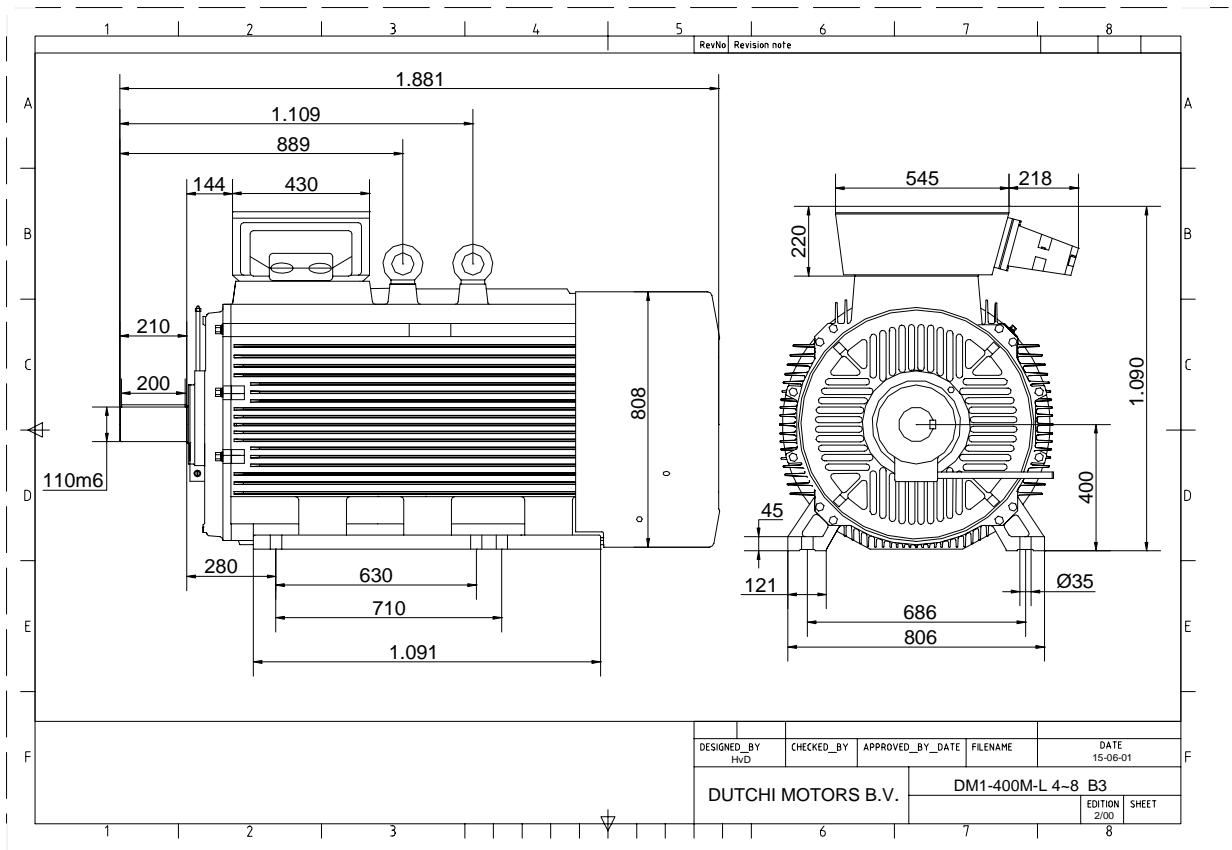


Power is our commodity, the world is our market !



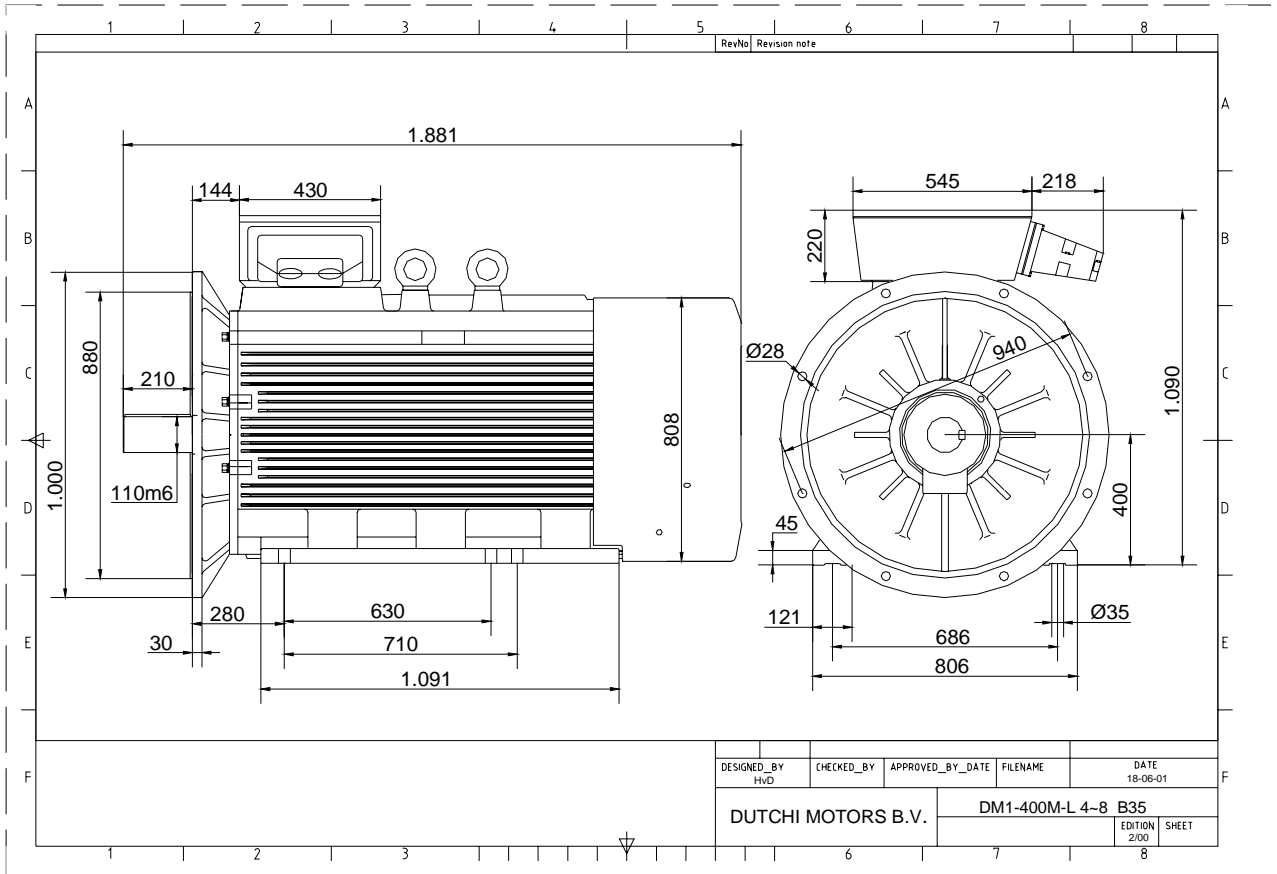
Specification	IEC 60034-1
Manufacturer	Dutchi Motors B.V.
Motor type	DM1- 400 L8
Rated power	315 kW S1 duty
Speed	740 r.p.m
Voltage	400 / 690 V
Frequency	50 Hz
Connection	Δ / Y
Amps full load	557 / 322 A
Amps no-load(400V)	243 A
Enclosure	IP 55
Insulation Class	F (temp. rise B (80 K))
Max. coolant temp.	40°C
Max. altitude	1.000 mtr, above sea level
Comment	3 x PTC 150°C
Cable entries	2 x Ø 100 mm + 1 x M20x1,5 (ptc)
Feature	Cast-iron motor
Weight	3150 kg
Catalog no.	11138D15D
Warranty	12~18 months

Efficiency class	N/A			
Load data	100%	75%	50%	25%
Efficiency	95,5	94,8	93,1	87,6 %
Power factor	0,86	0,78	0,61	0,35
Sound pressure level (1m)				76,7 dB(A)
Resistance R20 (open)				0,00547 Ω
Resistance R20	Δ			0,00365 Ω
Full load torque				4065 Nm
DOL Starting torque vs FL torque				0,98
DOL Pull up torque vs FL torque				0,98
DOL Pull out torque vs FL torque				2,97
Star-Delta Starting torque vs FL torque				0,30
Star-Delta Pull up torque vs FL torque				0,30
Star-Delta Pull out torque vs FL torque				0,93
DOL Starting current vs FL current				6,13
Star Delta Starting current vs FL current				1,92
Rotor Inertia				27,50 kgm ²
Bearing DE				6326 - C3 or NU326
Bearing NDE				6326 - C3 (IM V1 7326B)

Extras / Options :
Terminal box with extra 7 x M63x1,5

WI	Change	date	sign.
Dutchi Motors B.V. P.O. Box 5390 NL-6802 EJ ARNHEM Tel : +31-(0)26 - 3541 600 Fax : +31-(0)26 - 3541 650		Discription	date
		Drawing made by :	19-04-04
		HvD	
		dutchi.motors@dutchi.nl	www.dutchi.com

Power is our commodity, the world is our market !



DESIGNED_BY HvD	CHECKED_BY	APPROVED_BY_DATE	FILENAME	DATE 18-06-01
DUTCHI MOTORS B.V.			DM1-400M-L 4-8 B35	EDITION 2/00
				SHEET

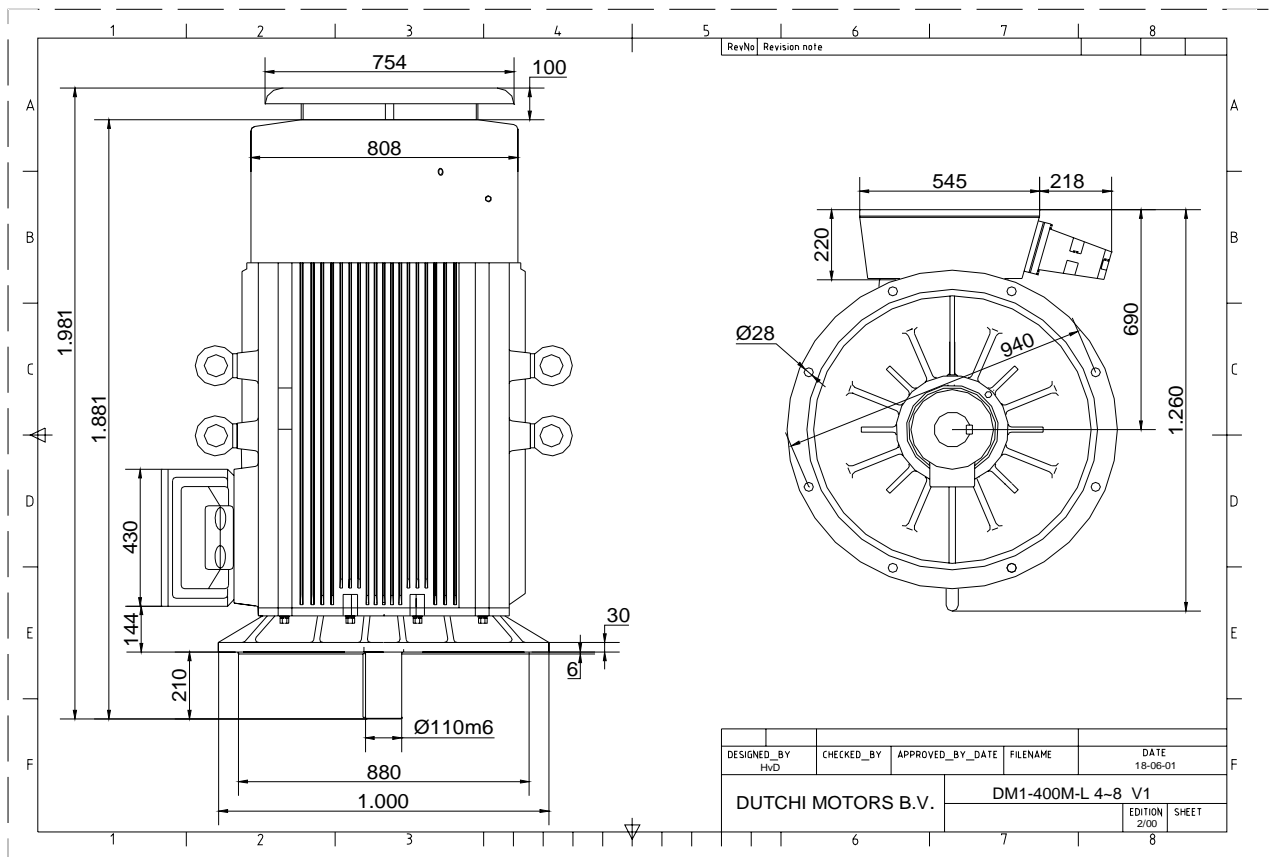
Specification	IEC 60034-1
Manufacturer	Dutchi Motors B.V.
Motor type	DM1- 400 L8
Rated power	315 kW S1 duty
Speed	740 r.p.m
Voltage	400 / 690 V
Frequency	50 Hz
Connection	Δ / Y
Amps full load	557 / 322 A
Amps no-load(400V)	243 A
Enclosure	IP 55
Insulation Class	F (temp. rise B (80 K))
Max. coolant temp.	40°C
Max. altitude	1.000 mtr, above sea level
Comment	3 x PTC 150°C
Cable entries	2 x Ø 100 mm + 1 x M20x1,5 (ptc)
Feature	Cast-iron motor
Weight	3150 kg
Catalog no.	11538D15D
Warranty	12~18 months

Efficiency class	N/A			
Load data	100%	75%	50%	25%
Efficiency	95,5	94,8	93,1	87,6 %
Power factor	0,86	0,78	0,61	0,35
Sound pressure level (1m)				76,7 dB(A)
Resistance R20 (open)				0,00547 Ω
Resistance R20	Δ			0,00365 Ω
Full load torque				4065 Nm
DOL Starting torque vs FL torque				0,98
DOL Pull up torque vs FL torque				0,98
DOL Pull out torque vs FL torque				2,97
Star-Delta Starting torque vs FL torque				0,30
Star-Delta Pull up torque vs FL torque				0,30
Star-Delta Pull out torque vs FL torque				0,93
DOL Starting current vs FL current				6,13
Star Delta Starting current vs FL current				1,92
Rotor Inertia				27,50 kgm ²
Bearing DE				6326 - C3 or NU326
Bearing NDE				6326 - C3 (IM V1 7326B)

Extras / Options :
Terminal box with extra 7 x M63x1,5

WI	Change	date	sign.
Dutchi Motors B.V.		Discription	date
P.O. Box 5390		Drawing made by :	19-04-04
NL-6802 EJ ARNHEM			
Tel : +31-(0)26 - 3541 600		dutchi.motors@dutchi.nl	
Fax : +31-(0)26 - 3541 650		www.dutchi.com	

Power is our commodity, the world is our market !



Specification	IEC 60034-1
Manufacturer	Dutchi Motors B.V.
Motor type	DM1- 400 L8
Rated power	315 kW S1 duty
Speed	740 r.p.m
Voltage	400 / 690 V
Frequency	50 Hz
Connection	Δ / Y
Amps full load	557 / 322 A
Amps no-load(400V)	243 A
Enclosure	IP 55
Insulation Class	F (temp. rise B (80 K))
Max. coolant temp.	40°C
Max. altitude	1.000 mtr, above sea level
Comment	3 x PTC 150°C
Cable entries	2 x Ø 100 mm + 1 x M20x1,5 (ptc)
Feature	Cast-iron motor
Weight	3150 kg
Catalog no.	11038D15D
Warranty	12~18 months

Efficiency class	N/A			
Load data	100%	75%	50%	25%
Efficiency	95,5	94,8	93,1	87,6 %
Power factor	0,86	0,78	0,61	0,35
Sound pressure level (1m)				76,7 dB(A)
Resistance R20 (open)				0,00547 Ω
Resistance R20	Δ			0,00365 Ω
Full load torque				4065 Nm
DOL Starting torque vs FL torque				0,98
DOL Pull up torque vs FL torque				0,98
DOL Pull out torque vs FL torque				2,97
Star-Delta Starting torque vs FL torque				0,30
Star-Delta Pull up torque vs FL torque				0,30
Star-Delta Pull out torque vs FL torque				0,93
DOL Starting current vs FL current				6,13
Star Delta Starting current vs FL current				1,92
Rotor Inertia				27,50 kgm ²
Bearing DE				6326 - C3 or NU326
Bearing NDE				6326 - C3 (IM V1 7326B)

Extras / Options :
Terminal box with extra 7 x M63x1,5

WI	Change	date	sign.
Dutchi Motors B.V.		Discription	date
P.O. Box 5390		Drawing made by :	19-04-04
NL-6802 EJ ARNHEM			
Tel : +31-(0)26 - 3541 600		dutchi.motors@dutchi.nl	
Fax : +31-(0)26 - 3541 650		www.dutchi.com	