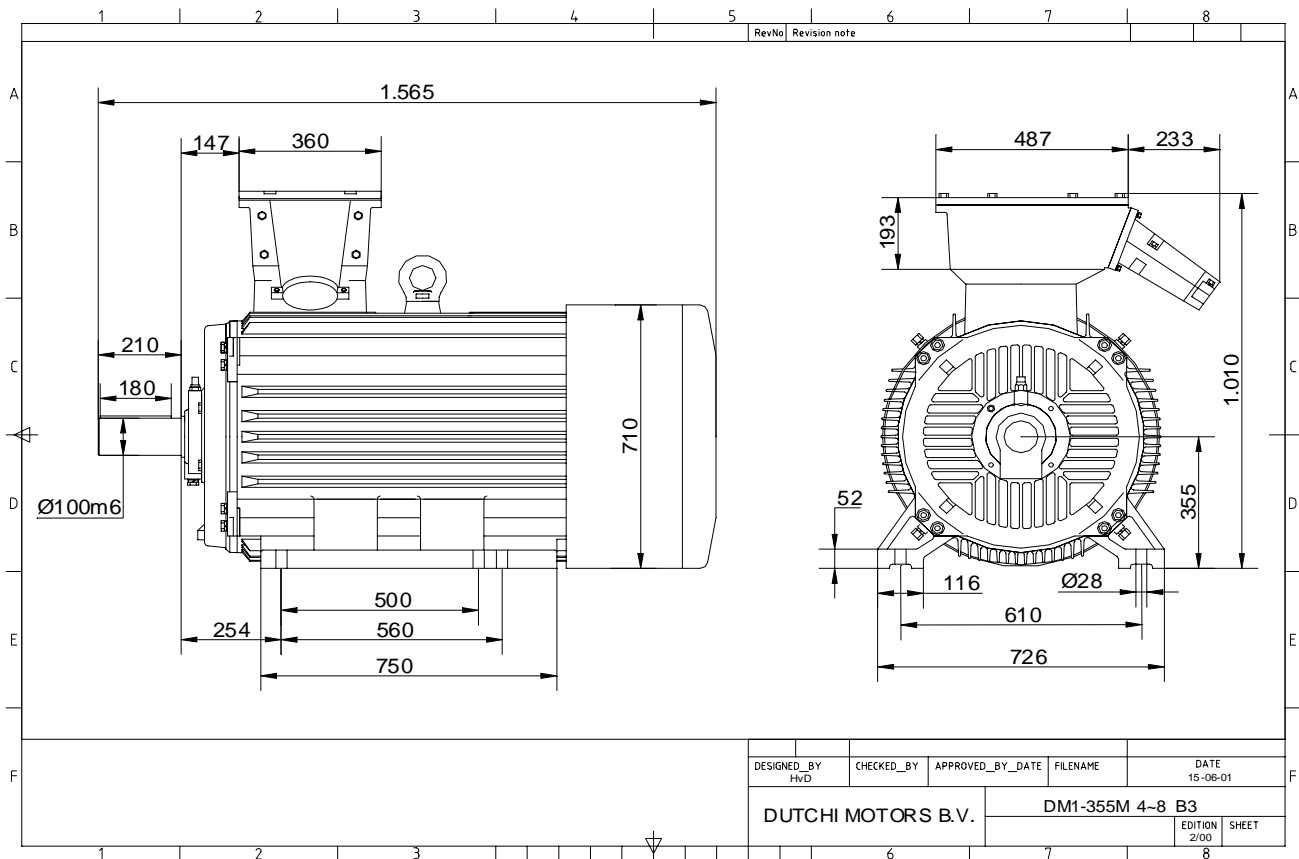


Power is our commodity, the world is our market !

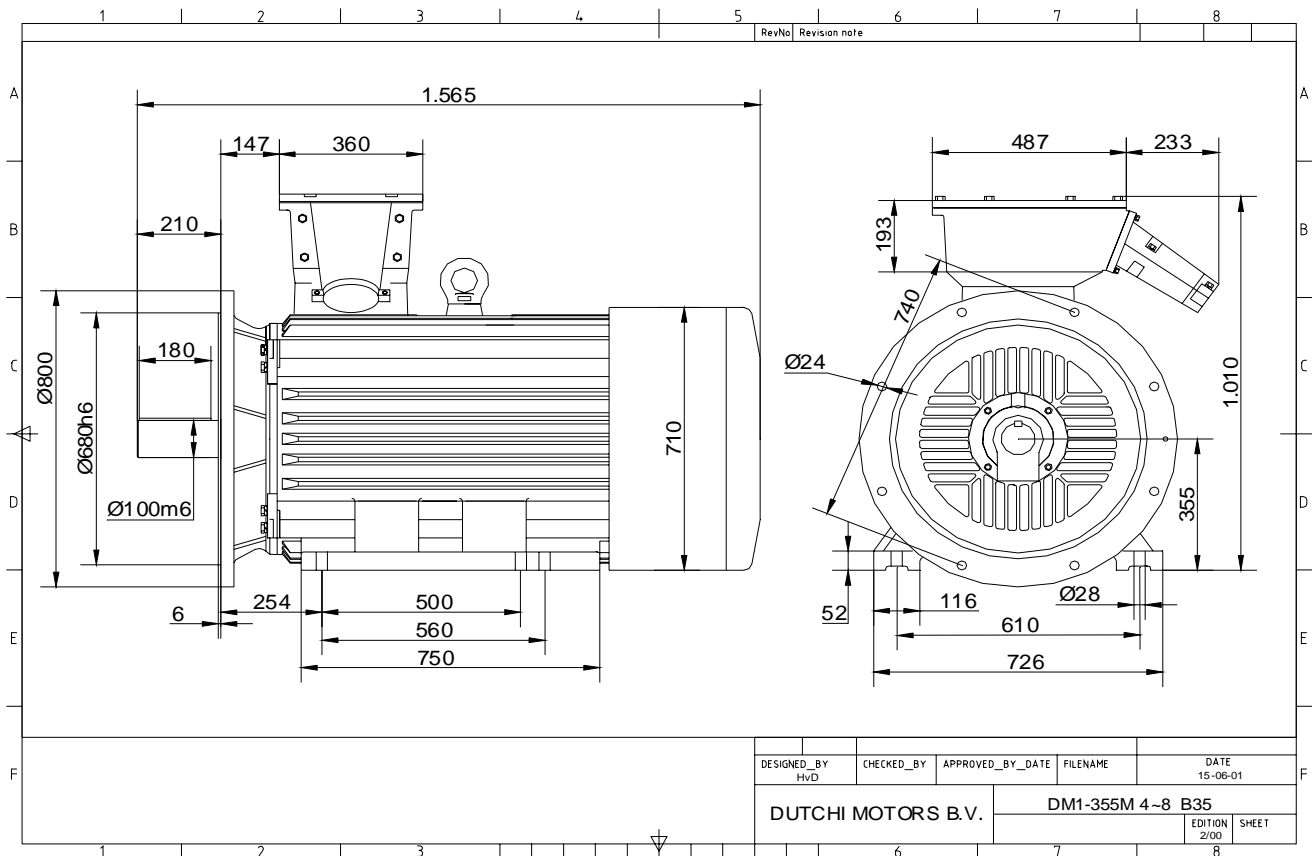


Specification	IEC 60034-1
Manufacturer	Dutchi Motors B.V.
Motor type	DM1- 355 M8
Rated power	132 kW S1 duty
Speed	740 r.p.m
Voltage	400 / 690 V
Frequency	50 Hz
Connection	Δ / Y
Amps full load	247 / 143 A
Amps no-load(400V)	95,30 A
Enclosure	IP 55
Insulation Class	F (temp. rise B (80 K))
Max. coolant temp.	40°C
Max. altitude	1.000 mtr, above sea level
Comment	3 x PTC 150°C
Cable entries	2 x Ø 70 mm + 1 x M20x1,5 (ptc)
Feature	Cast-iron motor
Weight	1800 kg
Catalog no.	11138B32D
Warranty	12~18 months

Efficiency class	N/A			
Load data	100%	75%	50%	25%
Efficiency	94,6	94,1	92,7	87,7 %
Power factor	0,82	0,79	0,73	0,56
Sound pressure level (1m)				71,5 dB(A)
Resistance R20 (open)				0,0198 Ω
Resistance R20	Δ			0,0132 Ω
Full load torque				1703,51 Nm
DOL Starting torque vs FL torque				1,84
DOL Pull up torque vs FL torque				1,41
DOL Pull out torque vs FL torque				3,11
Star-Delta Starting torque vs FL torque				0,58
Star-Delta Pull up torque vs FL torque				0,44
Star-Delta Pull out torque vs FL torque				0,97
DOL Starting current vs FL current				6,53
Star Delta Starting current vs FL current				2,04
Rotor Inertia				12,855 kgm ²
Bearing DE				6322 - C3 or NU322
Bearing NDE				6320 - C3 (IM V1 7320B)

WI	Change	date	sign.
Dutchi Motors B.V. P.O. Box 5390 NL-6802 EJ ARNHEM Tel : +31-(0)26 - 3541 600 Fax : +31-(0)26 - 3541 650		Discription Drawing made by :	date 27-04-04
dutchi.motors@dutchi.nl www.dutchi.com		sign. HVD	

Power is our commodity, the world is our market !



Specification **IEC 60034-1**
 Manufacturer **Dutchi Motors B.V.**
 Motor type **DM1- 355 M8**
 Rated power **132** kW **S1** duty
 Speed **740** r.p.m
 Voltage **400 / 690** V
 Frequency **50** Hz
 Connection **Δ / Y**
 Amps full load **247 / 143** A
 Amps no-load(400V) **95,30** A
 Enclosure **IP 55**
 Insulation Class **F (temp. rise B (80 K))**

Max. coolant temp. **40°C**
 Max. altitude **1.000** mtr, above sea level
 Comment **3 x PTC 150°C**
 Cable entries **2 x Ø 70 mm + 1 x M20x1,5 (ptc)**

Feature **Cast-iron motor**
 Weight **1800** kg
 Catalog no. **11538B32D**
 Warranty **12~18 months**

Efficiency class **N/A**
 Load data 100% 75% 50% 25%
 Efficiency **94,6 94,1 92,7 87,7** %
 Power factor **0,82 0,79 0,73 0,56**

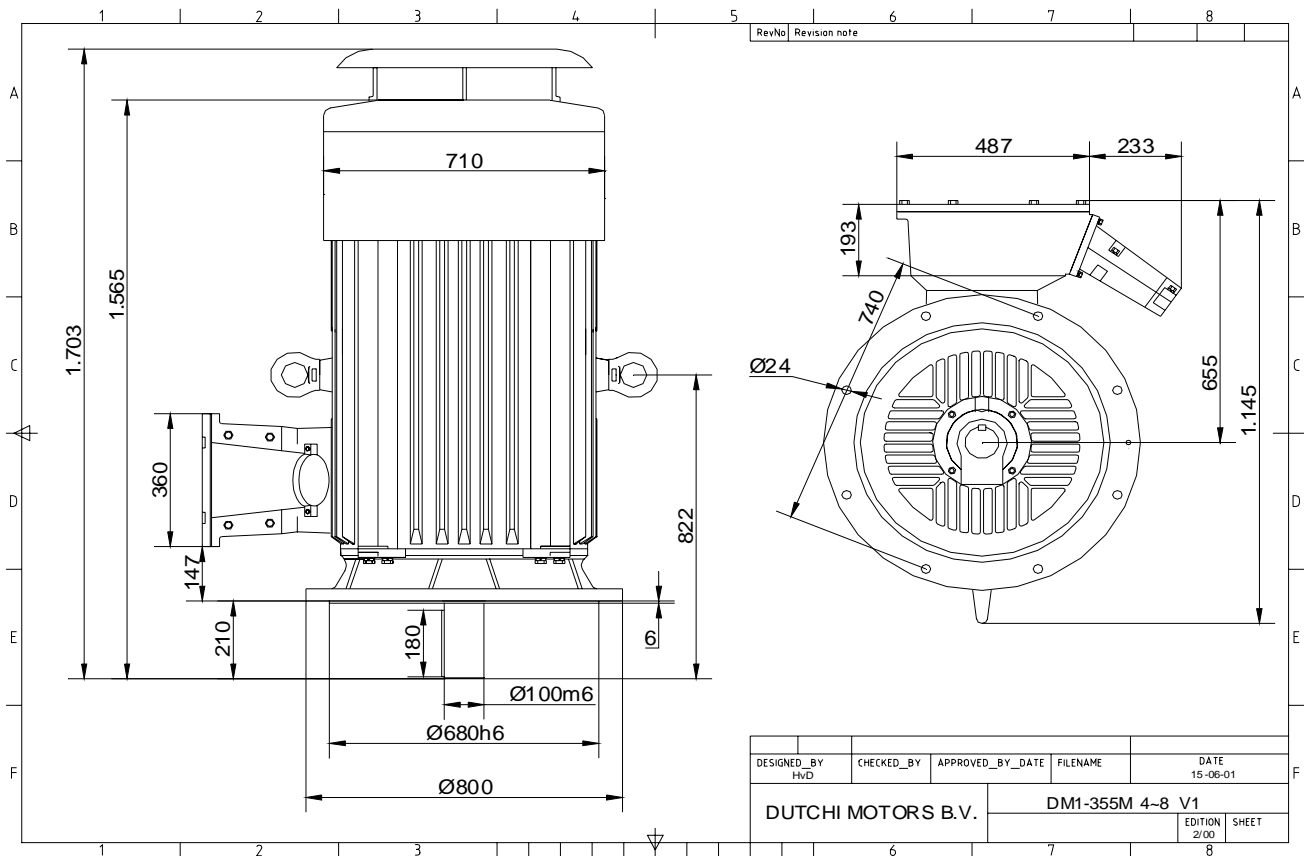
Sound pressure level (1m) **71,5** dB(A)
 Resistance R20 (open) **0,0198** Ω
 Resistance R20 **Δ 0,0132** Ω

Full load torque **1703,51** Nm
 DOL Starting torque vs FL torque **1,84**
 DOL Pull up torque vs FL torque **1,41**
 DOL Pull out torque vs FL torque **3,11**
 Star-Delta Starting torque vs FL torque **0,58**
 Star-Delta Pull up torque vs FL torque **0,44**
 Star-Delta Pull out torque vs FL torque **0,97**
 DOL Starting current vs FL current **6,53**
 Star Delta Starting current vs FL current **2,04**
 Rotor Inertia **12,855** kgm²

Bearing DE **6322 - C3 or NU322**
 Bearing NDE **6320 - C3 (IM V1 7320B)**

WI	Change	date	sign.
Dutchi Motors B.V.		Description	date
P.O. Box 5390		Drawing made by :	27-04-04
NL-6802 EJ ARNHEM			
Tel : +31-(0)26 - 3541 600		dutchi.motors@dutchi.nl	
Fax : +31-(0)26 - 3541 650		www.dutchi.com	

Power is our commodity, the world is our market !



Specification **IEC 60034-1**
 Manufacturer **Dutchi Motors B.V.**
 Motor type **DM1- 355 M8**
 Rated power **132** kW **S1** duty
 Speed **740** r.p.m
 Voltage **400 / 690** V
 Frequency **50** Hz
 Connection **Δ / Y**
 Amps full load **247 / 143** A
 Amps no-load(400V) **95,30** A
 Enclosure **IP 55**
 Insulation Class **F (temp. rise B (80 K))**

Max. coolant temp. **40°C**
 Max. altitude **1.000** mtr, above sea level
 Comment **3 x PTC 150°C**
 Cable entries **2 x Ø 70 mm + 1 x M20x1,5 (ptc)**

Feature **Cast-iron motor**
 Weight **1800** kg
 Catalog no. **11038B32D**
 Warranty **12~18 months**

Efficiency class **N/A**
 Load data 100% 75% 50% 25%
 Efficiency **94,6 94,1 92,7 87,7** %
 Power factor **0,82 0,79 0,73 0,56**

Sound pressure level (1m) **71,5** dB(A)
 Resistance R20 (open) **0,0198** Ω
 Resistance R20 **Δ 0,0132** Ω

Full load torque **1703,51** Nm
 DOL Starting torque vs FL torque **1,84**
 DOL Pull up torque vs FL torque **1,41**
 DOL Pull out torque vs FL torque **3,11**
 Star-Delta Starting torque vs FL torque **0,58**
 Star-Delta Pull up torque vs FL torque **0,44**
 Star-Delta Pull out torque vs FL torque **0,97**
 DOL Starting current vs FL current **6,53**
 Star Delta Starting current vs FL current **2,04**
 Rotor Inertia **12,855** kgm²

Bearing DE **6322 - C3 or NU322**
 Bearing NDE **6320 - C3 (IM V1 7320B)**

WI	Change	date	sign.
Dutchi Motors B.V.		Description	date
P.O. Box 5390		Drawing made by :	27-04-04
NL-6802 EJ ARNHEM			
Tel : +31-(0)26 - 3541 600		dutchi.motors@dutchi.nl	
Fax : +31-(0)26 - 3541 650		www.dutchi.com	