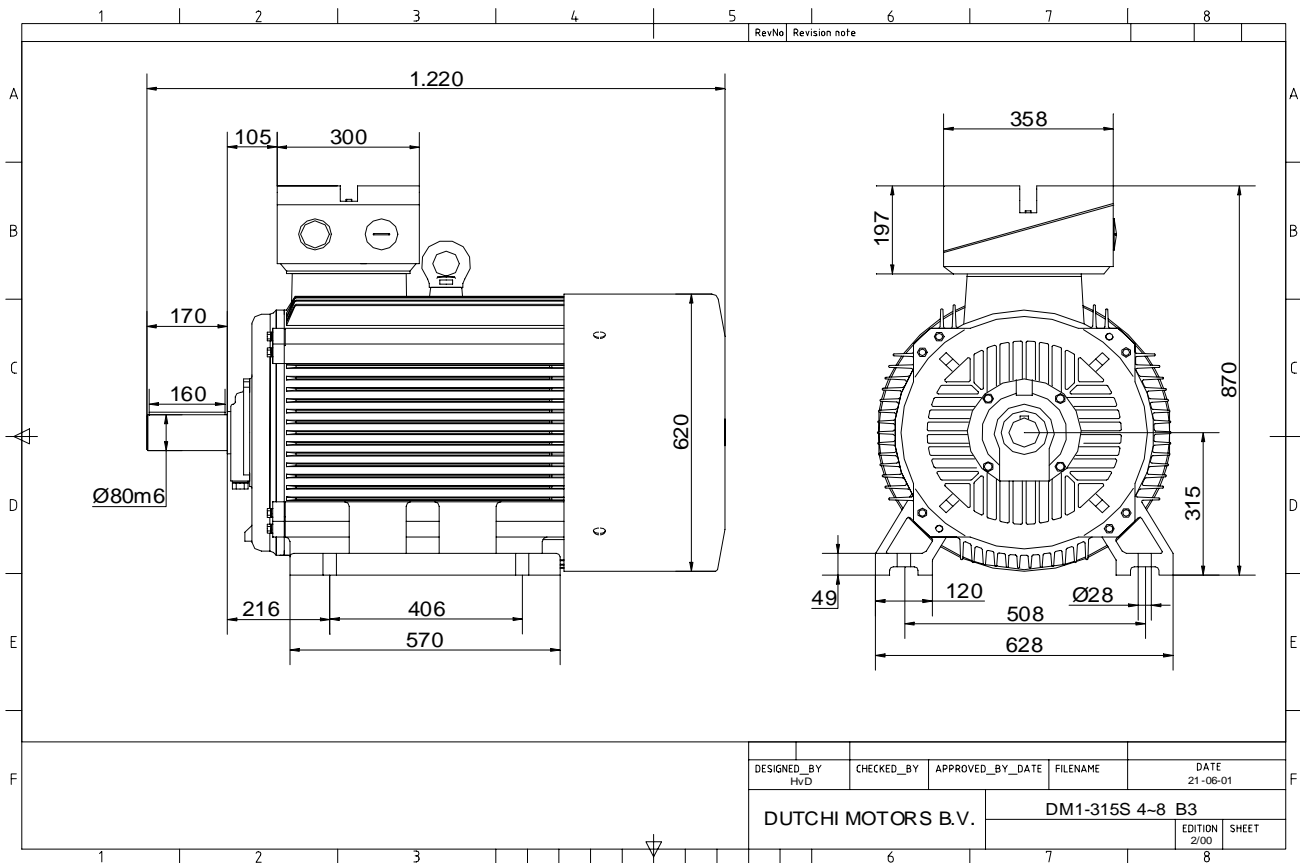


Power is our commodity, the world is our market !

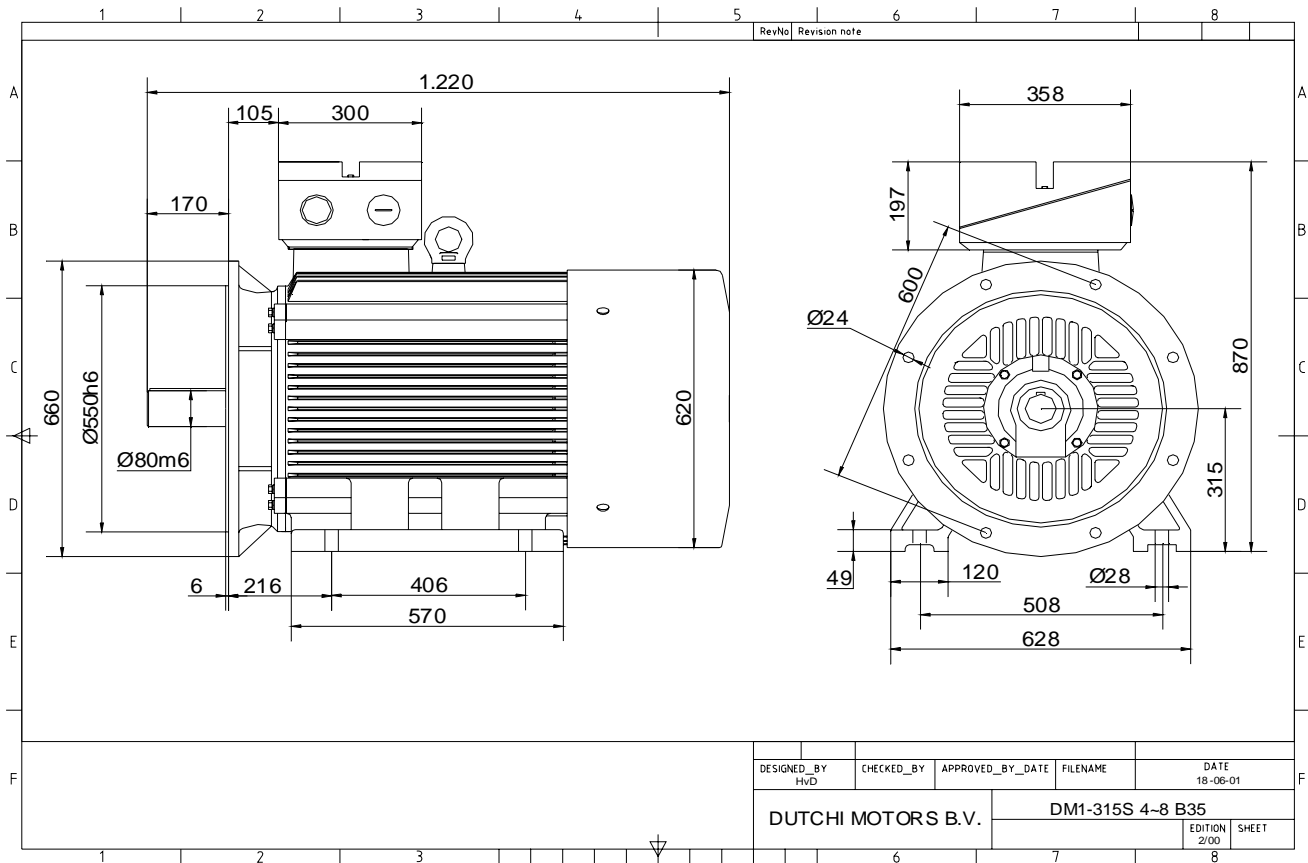


Specification	IEC 60034-1
Manufacturer	Dutchi Motors B.V.
Motor type	DM1- 315 S8
Rated power	55 kW S1 duty
Speed	740 r.p.m
Voltage	400 / 690 V
Frequency	50 Hz
Connection	Δ / Y
Amps full load	109 / 63 A
Amps no-load(400V)	43,90 A
Enclosure	IP 55
Insulation Class	F (temp. rise B (80 K))
Max. coolant temp.	40°C
Max. altitude	1.000 mtr, above sea level
Comment	3 x PTC 150°C
Cable entries	2 x M63x1,5 + 1 x M20x1,5 (ptc)
Feature	Cast-iron motor
Weight	905 kg
Catalog no.	11138A55D
Warranty	12~18 months

Efficiency class	N/A			
Load data	100%	75%	50%	25%
Efficiency	92,4	92,2	90,6	84,5 %
Power factor	0,79	0,76	0,67	0,45
Sound pressure level (1m)				63,1 dB(A)
Resistance R20 (open)				0,0886 Ω
Resistance R20	Δ			0,0591 Ω
Full load torque				709,80 Nm
DOL Starting torque vs FL torque				1,62
DOL Pull up torque vs FL torque				1,24
DOL Pull out torque vs FL torque				2,85
Star-Delta Starting torque vs FL torque				0,51
Star-Delta Pull up torque vs FL torque				0,39
Star-Delta Pull out torque vs FL torque				0,89
DOL Starting current vs FL current				5,00
Star Delta Starting current vs FL current				1,56
Rotor Inertia				4,590 kgm ²
Bearing DE				6319 - C3 or NU319
Bearing NDE				6319 - C3 (IM V1 7319B)

WI	Change	date	sign.
Dutchi Motors B.V. P.O. Box 5390 NL-6802 EJ ARNHEM Tel : +31-(0)26 - 3541 600 Fax : +31-(0)26 - 3541 650		Discription Drawing made by :	date 27-04-04 sign. HVD
dutchi.motors@dutchi.nl www.dutchi.com			

Power is our commodity, the world is our market !



Specification **IEC 60034-1**
 Manufacturer **Dutchi Motors B.V.**
 Motor type **DM1- 315 S8**
 Rated power **55** kW **S1** duty
 Speed **740** r.p.m
 Voltage **400 / 690** V
 Frequency **50** Hz
 Connection **Δ / Y**
 Amps full load **109 / 63** A
 Amps no-load(400V) **43,90** A
 Enclosure **IP 55**
 Insulation Class **F (temp. rise B (80 K))**

Max. coolant temp. **40°C**
 Max. altitude **1.000** mtr, above sea level
 Comment **3 x PTC 150°C**
 Cable entries **2 x M63x1,5 + 1 x M20x1,5 (ptc)**

Feature **Cast-iron motor**
 Weight **905** kg
 Catalog no. **11538A55D**
 Warranty **12~18 months**

Efficiency class **N/A**
 Load data 100% 75% 50% 25%
 Efficiency **92,4 92,2 90,6 84,5** %
 Power factor **0,79 0,76 0,67 0,45**

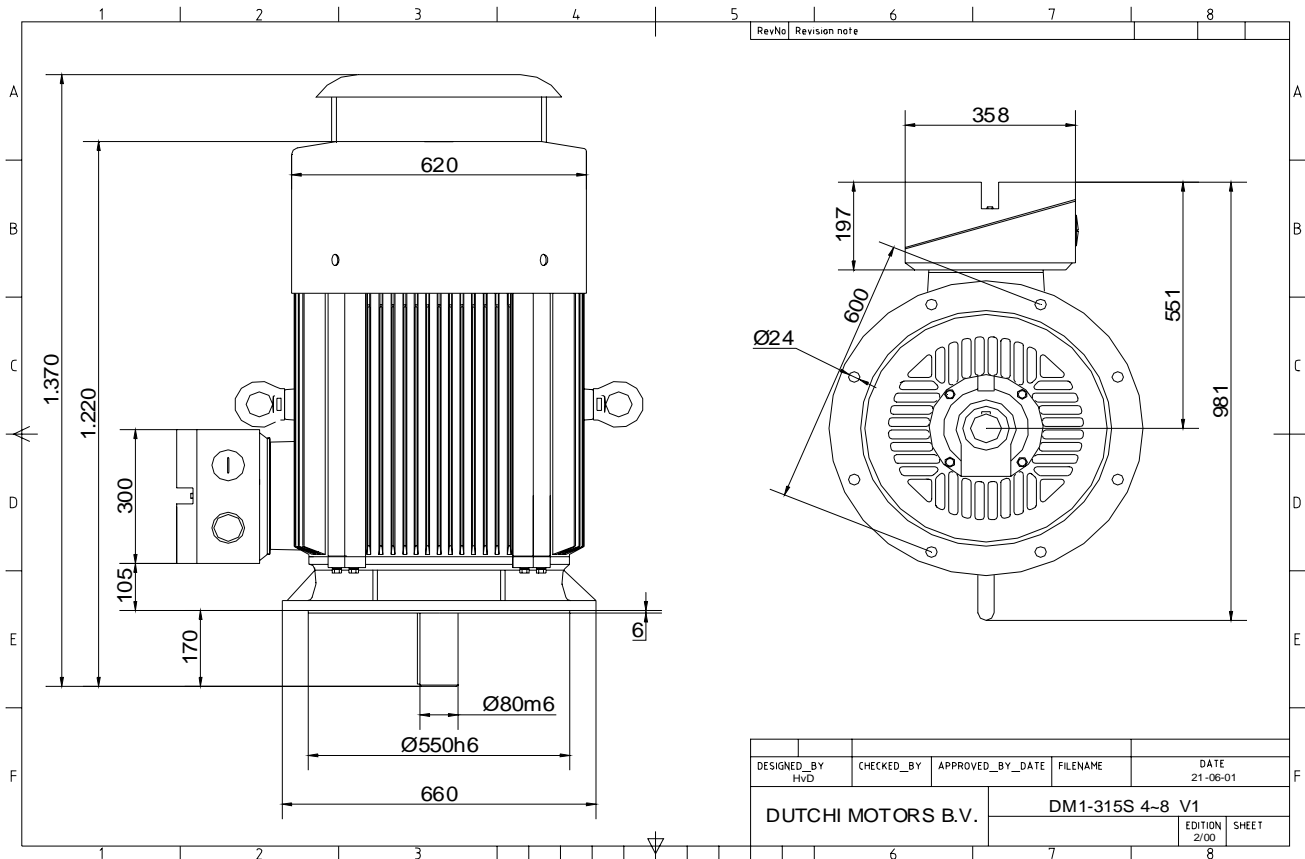
Sound pressure level (1m) **63,1** dB(A)
 Resistance R20 (open) **0,0886** Ω
 Resistance R20 **Δ 0,0591** Ω

Full load torque **709,80** Nm
 DOL Starting torque vs FL torque **1,62**
 DOL Pull up torque vs FL torque **1,24**
 DOL Pull out torque vs FL torque **2,85**
 Star-Delta Starting torque vs FL torque **0,51**
 Star-Delta Pull up torque vs FL torque **0,39**
 Star-Delta Pull out torque vs FL torque **0,89**
 DOL Starting current vs FL current **5,00**
 Star Delta Starting current vs FL current **1,56**
 Rotor Inertia **4,590** kgm²

Bearing DE **6319 - C3 or NU319**
 Bearing NDE **6319 - C3 (IM V1 7319B)**

WI	Change	date	sign.
Dutchi Motors B.V.		Description	date
P.O. Box 5390		Drawing made by :	27-04-04
NL-6802 EJ ARNHEM			
Tel : +31-(0)26 - 3541 600		dutchi.motors@dutchi.nl	
Fax : +31-(0)26 - 3541 650		www.dutchi.com	

Power is our commodity, the world is our market !



Specification **IEC 60034-1**
 Manufacturer **Dutchi Motors B.V.**
 Motor type **DM1- 315 S8**
 Rated power **55** kW **S1** duty
 Speed **740** r.p.m
 Voltage **400 / 690** V
 Frequency **50** Hz
 Connection **Δ / Y**
 Amps full load **109 / 63** A
 Amps no-load(400V) **43,90** A
 Enclosure **IP 55**
 Insulation Class **F (temp. rise B (80 K))**

Max. coolant temp. **40°C**
 Max. altitude **1.000** mtr, above sea level
 Comment **3 x PTC 150°C**
 Cable entries **2 x M63x1,5 + 1 x M20x1,5 (ptc)**

Feature **Cast-iron motor**
 Weight **905** kg
 Catalog no. **11038A55D**
 Warranty **12~18 months**

Efficiency class **N/A**
 Load data 100% 75% 50% 25%
 Efficiency **92,4 92,2 90,6 84,5** %
 Power factor **0,79 0,76 0,67 0,45**

Sound pressure level (1m) **63,1** dB(A)
 Resistance R20 (open) **0,0886** Ω
 Resistance R20 **Δ 0,0591** Ω

Full load torque **709,80** Nm
 DOL Starting torque vs FL torque **1,62**
 DOL Pull up torque vs FL torque **1,24**
 DOL Pull out torque vs FL torque **2,85**
 Star-Delta Starting torque vs FL torque **0,51**
 Star-Delta Pull up torque vs FL torque **0,39**
 Star-Delta Pull out torque vs FL torque **0,89**
 DOL Starting current vs FL current **5,00**
 Star Delta Starting current vs FL current **1,56**
 Rotor Inertia **4,590** kgm²

Bearing DE **6319 - C3 or NU319**
 Bearing NDE **6319 - C3 (IM V1 7319B)**

WI	Change	date	sign.
Dutchi Motors B.V. P.O. Box 5390 NL-6802 EJ ARNHEM Tel : +31-(0)26 - 3541 600 Fax : +31-(0)26 - 3541 650		Discription Drawing made by :	date sign. HVD
dutchi.motors@dutchi.nl www.dutchi.com		27-04-04	