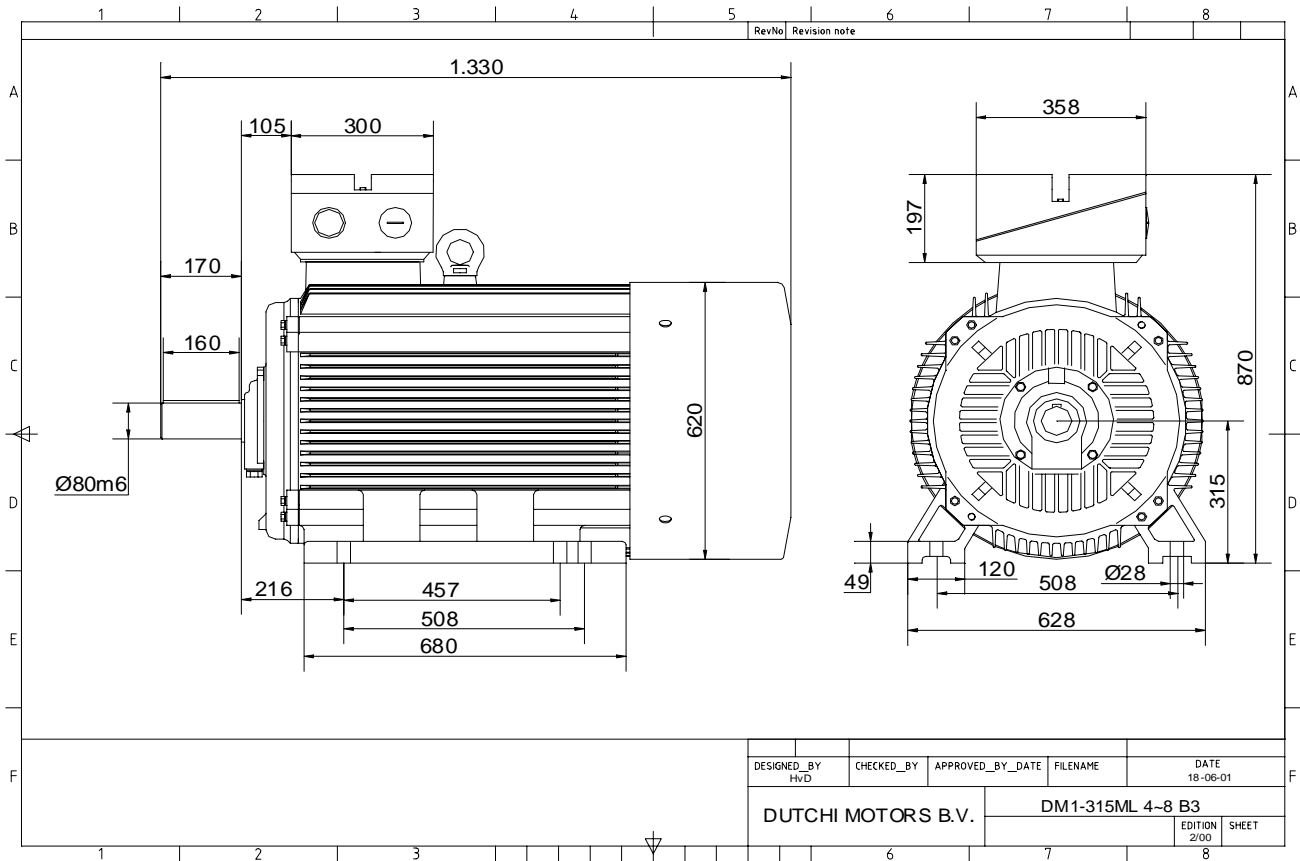


Power is our commodity, the world is our market !



Specification **IEC 60034-1**
 Manufacturer **Dutchi Motors B.V.**
 Motor type **DM1- 315 L8**
 Rated power **90** kW **S1** duty
 Speed **740** r.p.m
 Voltage **400** / **690** V
 Frequency **50** Hz
 Connection **Δ** / **Y**
 Amps full load **167** / **96** A
 Amps no-load(400V) **72,60** A
 Enclosure **IP 55**
 Insulation Class **F (temp. rise B (80 K))**

Max. coolant temp. **40°C**
 Max. altitude **1.000** mtr, above sea level
 Comment **3 x PTC 150°C**
 Cable entries **2 x M63x1,5 + 1 x M20x1,5 (ptc)**

Feature **Cast-iron motor**
 Weight **1071** kg
 Catalog no. **11138A90D**
 Warranty **12-18 months**

Efficiency class **N/A**
 Load data 100% 75% 50% 25%
 Efficiency **94,0 93,9 93,5 87,9** %
 Power factor **0,83 0,79 0,70 0,52**

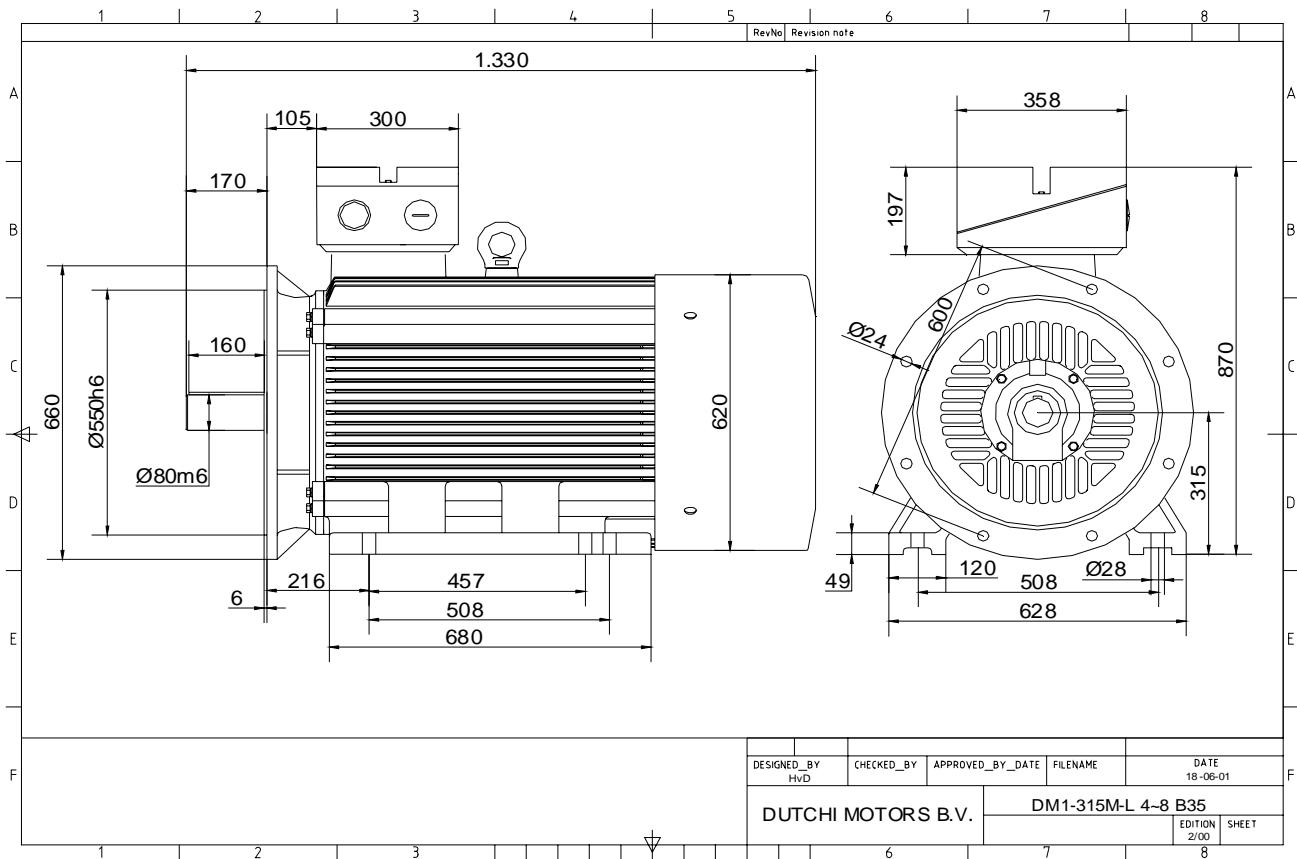
Sound pressure level (1m) **64,3** dB(A)
 Resistance R20 (open) **0,0444** Ω
 Resistance R20 **Δ 0,0296** Ω

Full load torque **1161** Nm
 DOL Starting torque vs FL torque **1,83**
 DOL Pull up torque vs FL torque **1,52**
 DOL Pull out torque vs FL torque **2,86**
 Star-Delta Starting torque vs FL torque **0,57**
 Star-Delta Pull up torque vs FL torque **0,47**
 Star-Delta Pull out torque vs FL torque **0,89**
 DOL Starting current vs FL current **6,32**
 Star Delta Starting current vs FL current **1,97**
 Rotor Inertia **6,1100** kgm²

Bearing DE **6319 - C3 or NU319**
 Bearing NDE **6319 - C3 (IM V1 7319B)**

WI	Change	date	sign.
Dutchi Motors B.V. P.O. Box 5390 NL-6802 EJ ARNHEM Tel : +31-(0)26 - 3541 600 Fax : +31-(0)26 - 3541 650		Discription Drawing made by : 27-04-04	date sign. HvD
dutchi.motors@dutchi.nl www.dutchi.com			

Power is our commodity, the world is our market !

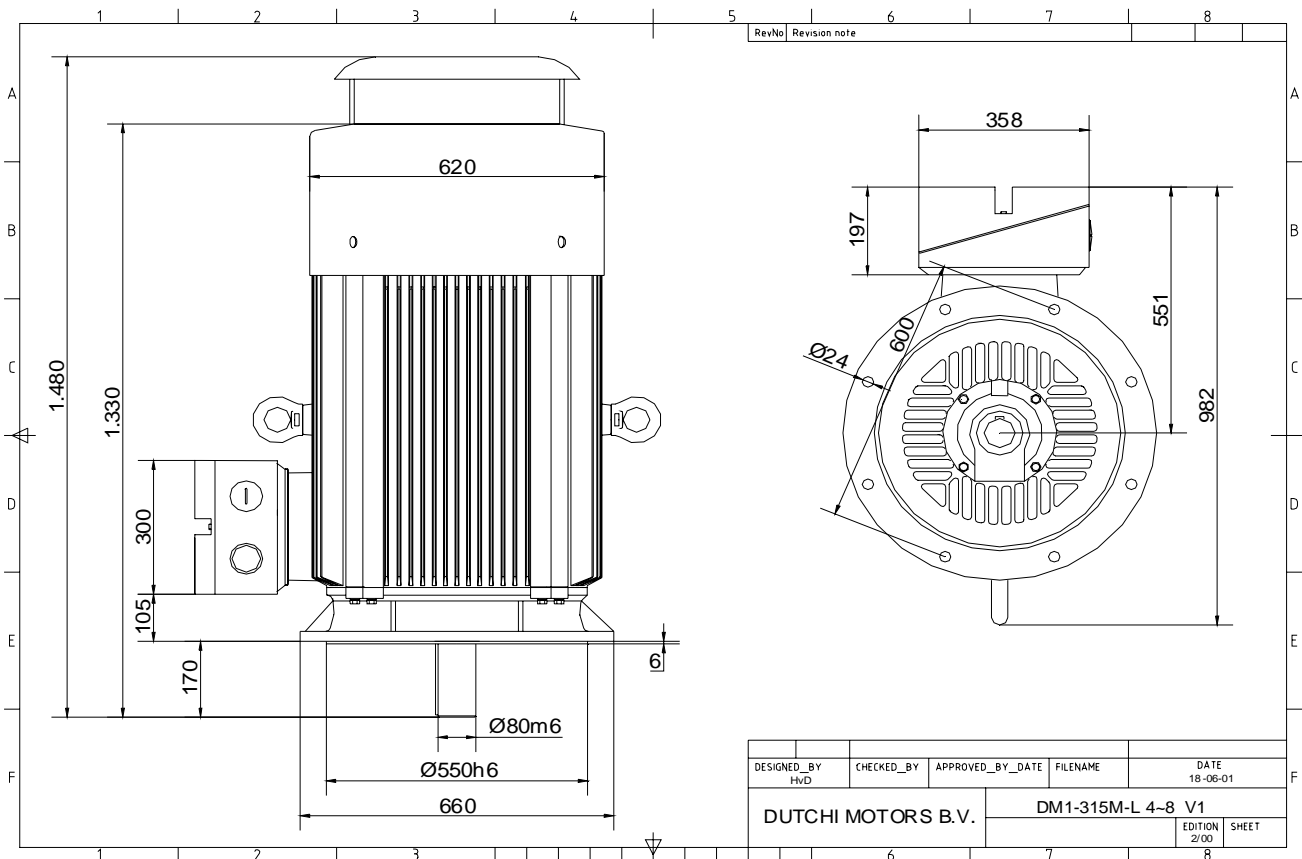


Specification	IEC 60034-1
Manufacturer	Dutchi Motors B.V.
Motor type	DM1- 315 L8
Rated power	90 kW S1 duty
Speed	740 r.p.m
Voltage	400 / 690 V
Frequency	50 Hz
Connection	Δ / Y
Amps full load	167 / 96 A
Amps no-load(400V)	72,60 A
Enclosure	IP 55
Insulation Class	F (temp. rise B (80 K))
Max. coolant temp.	40°C
Max. altitude	1.000 mtr, above sea level
Comment	3 x PTC 150°C
Cable entries	2 x M63x1,5 + 1 x M20x1,5 (ptc)
Feature	Cast-iron motor
Weight	1071 kg
Catalog no.	11538A90D
Warranty	12~18 months

Efficiency class	N/A			
Load data	100%	75%	50%	25%
Efficiency	94,0	93,9	93,5	87,9 %
Power factor	0,83	0,79	0,70	0,52
Sound pressure level (1m)	64,3 dB(A)			
Resistance R20 (open)	0,0444 Ω			
Resistance R20	Δ 0,0296 Ω			
Full load torque	1161 Nm			
DOL Starting torque vs FL torque	1,83			
DOL Pull up torque vs FL torque	1,52			
DOL Pull out torque vs FL torque	2,86			
Star-Delta Starting torque vs FL torque	0,57			
Star-Delta Pull up torque vs FL torque	0,47			
Star-Delta Pull out torque vs FL torque	0,89			
DOL Starting current vs FL current	6,32			
Star Delta Starting current vs FL current	1,97			
Rotor Inertia	6,1100 kgm ²			
Bearing DE	6319 - C3 or NU319			
Bearing NDE	6319 - C3 (IM V1 7319B)			

WI	Change	date	sign.
Dutchi Motors B.V. P.O. Box 5390 NL-6802 EJ ARNHEM Tel : +31-(0)26 - 3541 600 Fax : +31-(0)26 - 3541 650		Discription Drawing made by :	date 27-04-04 sign. HvD
dutchi.motors@dutchi.nl www.dutchi.com			

Power is our commodity, the world is our market !



Specification **IEC 60034-1**
 Manufacturer **Dutchi Motors B.V.**
 Motor type **DM1- 315 L8**
 Rated power **90** kW **S1** duty
 Speed **740** r.p.m
 Voltage **400** / **690** V
 Frequency **50** Hz
 Connection **Δ** / **Y**
 Amps full load **167** / **96** A
 Amps no-load(400V) **72,60** A
 Enclosure **IP 55**
 Insulation Class **F (temp. rise B (80 K))**

Max. coolant temp. **40°C**
 Max. altitude **1.000** mtr, above sea level
 Comment **3 x PTC 150°C**
 Cable entries **2 x M63x1,5 + 1 x M20x1,5 (ptc)**

Feature **Cast-iron motor**
 Weight **1071** kg
 Catalog no. **11038A90D**
 Warranty **12~18 months**

Efficiency class **N/A**
 Load data 100% 75% 50% 25%
 Efficiency **94,0 93,9 93,5 87,9** %
 Power factor **0,83 0,79 0,70 0,52**

Sound pressure level (1m) **64,3** dB(A)
 Resistance R20 (open) **0,0444** Ω
 Resistance R20 **Δ 0,0296** Ω

Full load torque **1161** Nm
 DOL Starting torque vs FL torque **1,83**
 DOL Pull up torque vs FL torque **1,52**
 DOL Pull out torque vs FL torque **2,86**
 Star-Delta Starting torque vs FL torque **0,57**
 Star-Delta Pull up torque vs FL torque **0,47**
 Star-Delta Pull out torque vs FL torque **0,89**
 DOL Starting current vs FL current **6,32**
 Star Delta Starting current vs FL current **1,97**
 Rotor Inertia **6,1100** kgm²

Bearing DE **6319 - C3 or NU319**
 Bearing NDE **6319 - C3 (IM V1 7319B)**

WI	Change	date	sign.
Dutchi Motors B.V. P.O. Box 5390 NL-6802 EJ ARNHEM Tel : +31-(0)26 - 3541 600 Fax : +31-(0)26 - 3541 650		Description Drawing made by : 27-04-04	date 27-04-04
		sign. HvD	
		dutchi.motors@dutchi.nl www.dutchi.com	