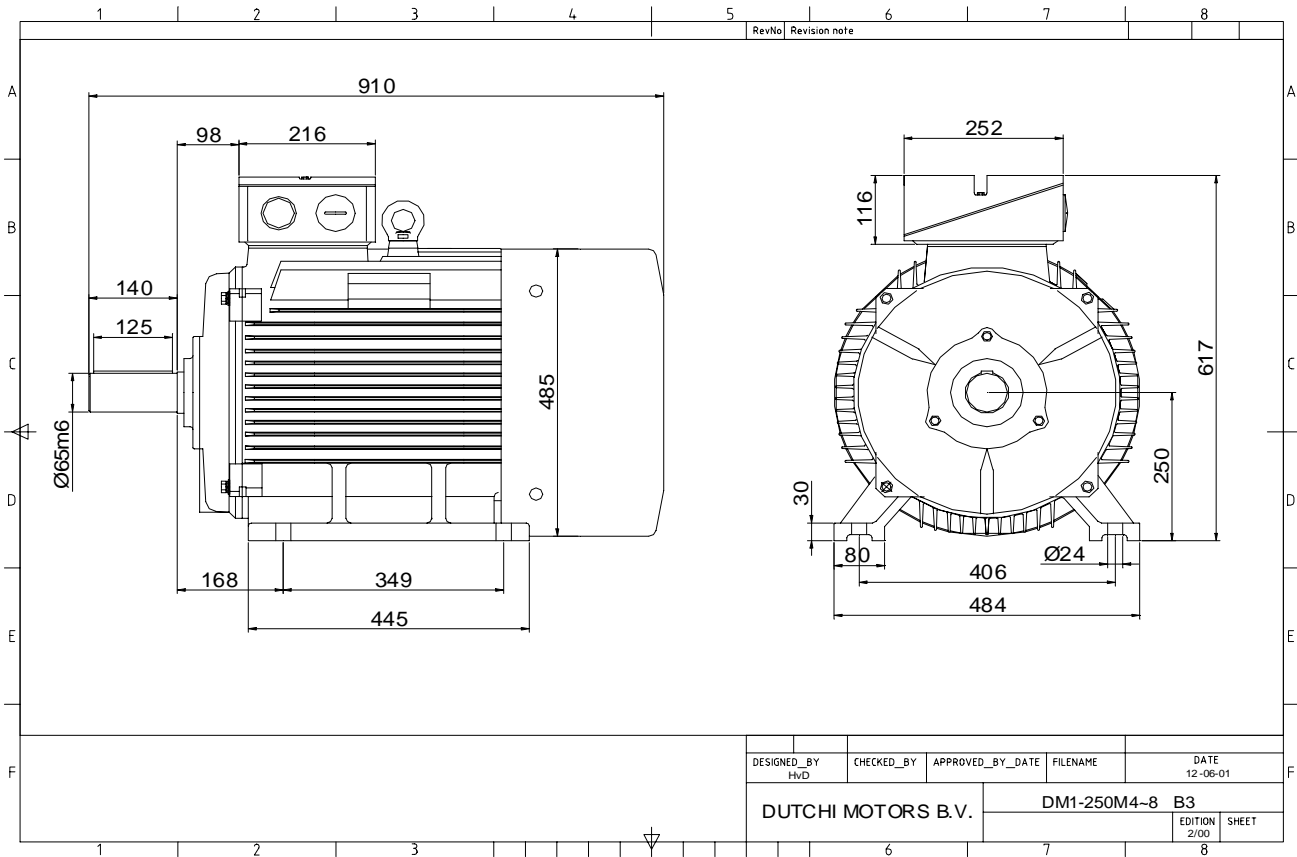


Power is our commodity, the world is our market !



Specification **IEC 60034-1**
 Manufacturer **Dutchi Motors B.V.**
 Motor type **DM1- 250 M8**
 Rated power **30** kW **S1** duty
 Speed **735** r.p.m
 Voltage **400 / 690** V
 Frequency **50** Hz
 Connection **Δ / Y**
 Amps full load **59,7 / 34,4** A
 Amps no-load(400V) **27,70** A
 Enclosure **IP 55**
 Insulation Class **F (temp. rise B (80 K))**

Max. coolant temp. **40°C**
 Max. altitude **1.000** mtr, above sea level
 Comment **3 x PTC 150°C**
 Cable entries **2 x M63x1,5 + 1 x M20x1,5 (ptc)**

Feature **Cast-iron motor**
 Weight **370** kg
 Catalog no. **11138A30D**
 Warranty **12~18 months**

Efficiency class **N/A**
 Load data 100% 75% 50% 25%
 Efficiency **90,4 90,4 89,0 82,8** %
 Power factor **0,80 0,76 0,65 0,43**

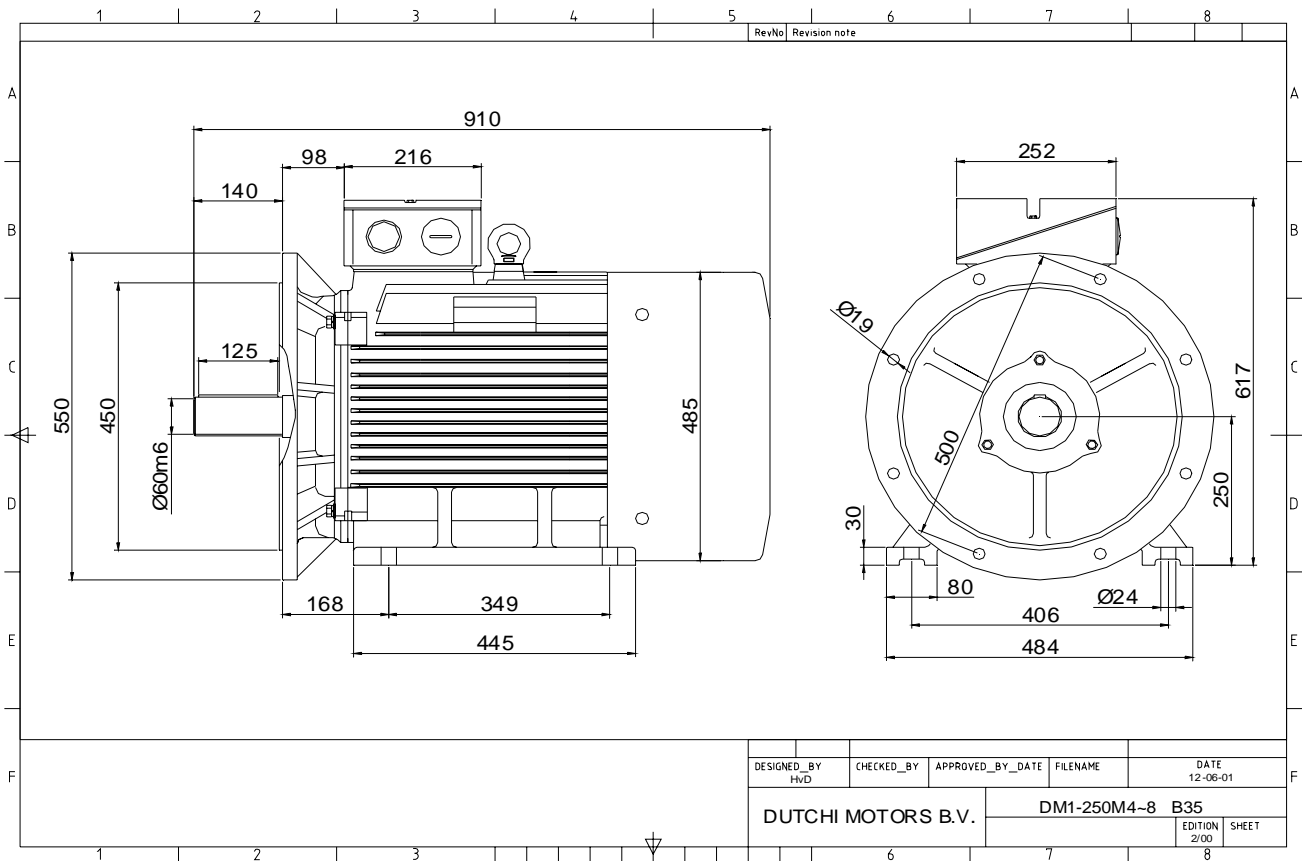
Sound pressure level (1m) **65,7** dB(A)
 Resistance R20 (open) **0,264** Ω
 Resistance R20 **Δ 0,176** Ω

Full load torque **389,80** Nm
 DOL Starting torque vs FL torque **2,05**
 DOL Pull up torque vs FL torque **1,50**
 DOL Pull out torque vs FL torque **2,97**
 Star-Delta Starting torque vs FL torque **0,64**
 Star-Delta Pull up torque vs FL torque **0,47**
 Star-Delta Pull out torque vs FL torque **0,93**
 DOL Starting current vs FL current **5,96**
 Star Delta Starting current vs FL current **1,86**
 Rotor Inertia **0,8090** kgm2

Bearing DE **6314 - ZZ C3**
 Bearing NDE **6314 - ZZ C3**

WI	Change	date	sign.
Dutchi Motors B.V.		Description	date
P.O. Box 5390		Drawing made by :	27-04-04
NL-6802 EJ ARNHEM			
Tel : +31-(0)26 - 3541 600		dutchi.motors@dutchi.nl	
Fax : +31-(0)26 - 3541 650		www.dutchi.com	

Power is our commodity, the world is our market !



Specification **IEC 60034-1**
 Manufacturer **Dutchi Motors B.V.**
 Motor type **DM1- 250 M8**
 Rated power **30** kW **S1** duty
 Speed **735** r.p.m
 Voltage **400** / **690** V
 Frequency **50** Hz
 Connection **Δ** / **Y**
 Amps full load **59,7** / **34,4** A
 Amps no-load(400V) **27,70** A
 Enclosure **IP 55**
 Insulation Class **F (temp. rise B (80 K))**

Max. coolant temp. **40°C**
 Max. altitude **1.000** mtr, above sea level
 Comment **3 x PTC 150°C**
 Cable entries **2 x M63x1,5 + 1 x M20x1,5 (ptc)**

Feature **Cast-iron motor**
 Weight **370** kg
 Catalog no. **11538A30D**
 Warranty **12~18 months**

Efficiency class **N/A**
 Load data 100% 75% 50% 25%
 Efficiency **90,4 90,4 89,0 82,8** %
 Power factor **0,80 0,76 0,65 0,43**

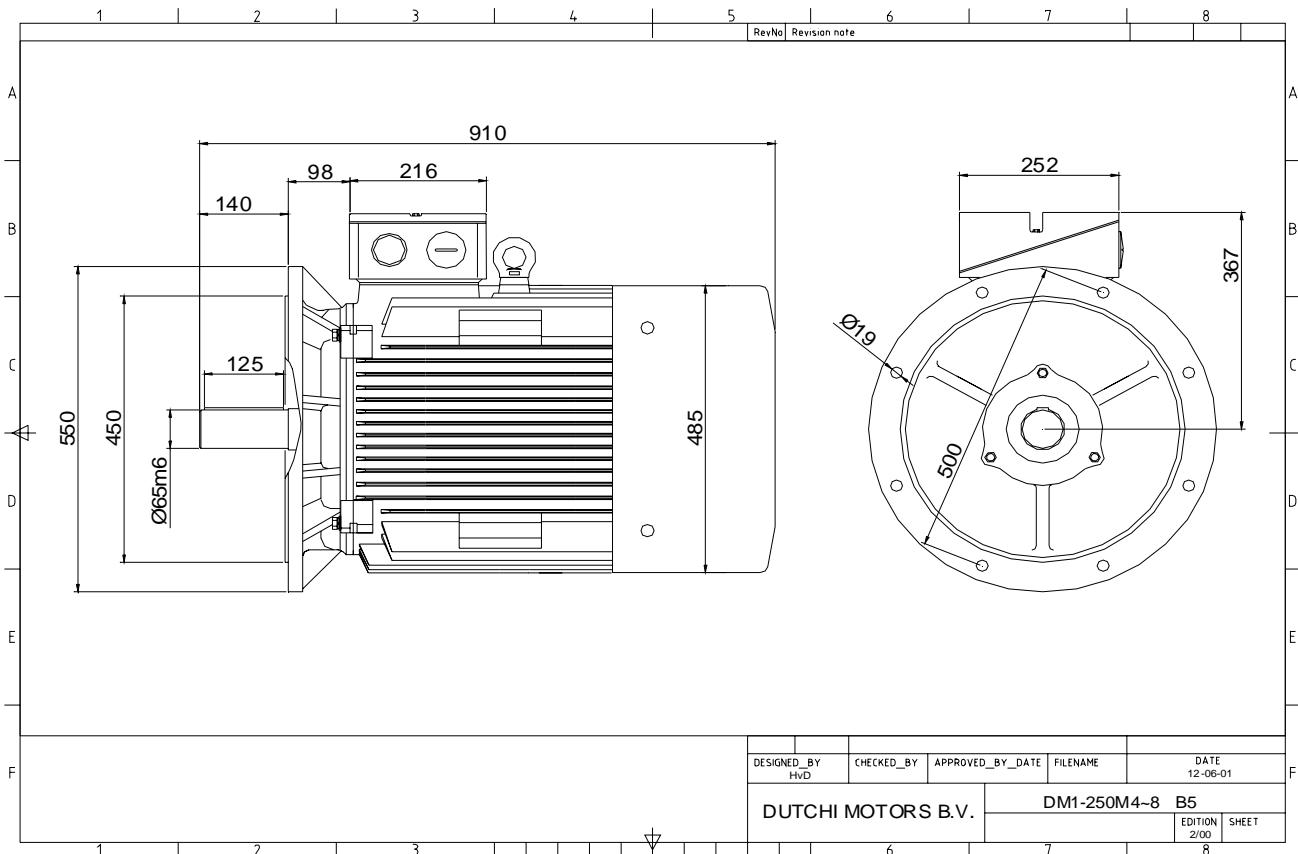
Sound pressure level (1m) **65,7** dB(A)
 Resistance R20 (open) **0,264** Ω
 Resistance R20 **Δ 0,176** Ω

Full load torque **389,80** Nm
 DOL Starting torque vs FL torque **2,05**
 DOL Pull up torque vs FL torque **1,50**
 DOL Pull out torque vs FL torque **2,97**
 Star-Delta Starting torque vs FL torque **0,64**
 Star-Delta Pull up torque vs FL torque **0,47**
 Star-Delta Pull out torque vs FL torque **0,93**
 DOL Starting current vs FL current **5,96**
 Star Delta Starting current vs FL current **1,86**
 Rotor Inertia **0,8090** kgm2

Bearing DE **6314 - ZZ C3**
 Bearing NDE **6314 - ZZ C3**

WI	Change	date	sign.
Dutchi Motors B.V.		Description	date
P.O. Box 5390		Drawing made by :	27-04-04
NL-6802 EJ ARNHEM			
Tel : +31-(0)26 - 3541 600		dutchi.motors@dutchi.nl	
Fax : +31-(0)26 - 3541 650		www.dutchi.com	

Power is our commodity, the world is our market !



Specification **IEC 60034-1**
 Manufacturer **Dutchi Motors B.V.**
 Motor type **DM1- 250 M8**
 Rated power **30** kW **S1** duty
 Speed **735** r.p.m
 Voltage **400 / 690** V
 Frequency **50** Hz
 Connection **Δ / Y**
 Amps full load **59,7 / 34,4** A
 Amps no-load(400V) **27,70** A
 Enclosure **IP 55**
 Insulation Class **F (temp. rise B (80 K))**

Max. coolant temp. **40°C**
 Max. altitude **1.000** mtr, above sea level
 Comment **3 x PTC 150°C**
 Cable entries **2 x M63x1,5 + 1 x M20x1,5 (ptc)**

Feature **Cast-iron motor**
 Weight **370** kg
 Catalog no. **11238A30D**
 Warranty **12~18 months**

Efficiency class **N/A**
 Load data 100% 75% 50% 25%
 Efficiency **90,4 90,4 89,0 82,8** %
 Power factor **0,80 0,76 0,65 0,43**

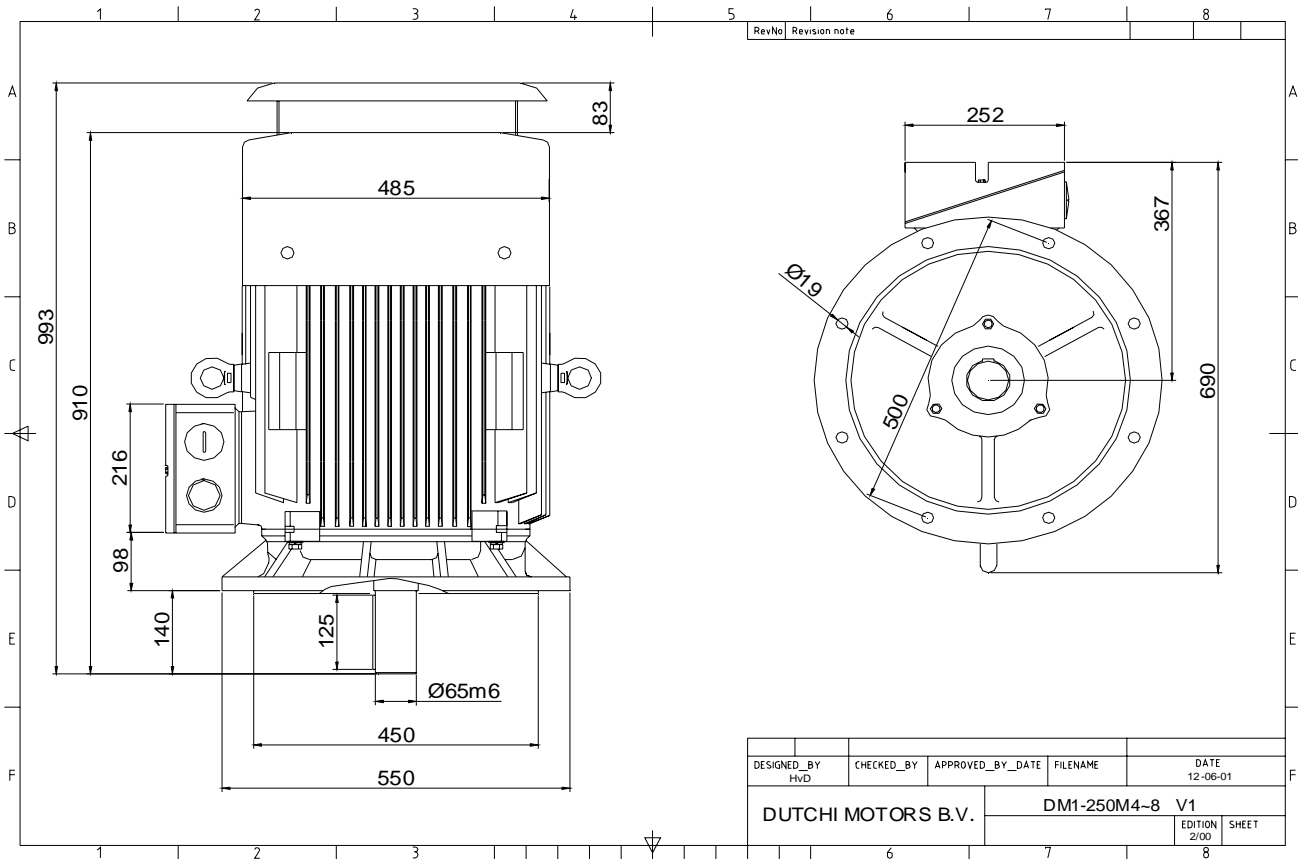
Sound pressure level (1m) **65,7** dB(A)
 Resistance R20 (open) **0,264** Ω
 Resistance R20 **Δ 0,176** Ω

Full load torque **389,80** Nm
 DOL Starting torque vs FL torque **2,05**
 DOL Pull up torque vs FL torque **1,50**
 DOL Pull out torque vs FL torque **2,97**
 Star-Delta Starting torque vs FL torque **0,64**
 Star-Delta Pull up torque vs FL torque **0,47**
 Star-Delta Pull out torque vs FL torque **0,93**
 DOL Starting current vs FL current **5,96**
 Star Delta Starting current vs FL current **1,86**
 Rotor Inertia **0,8090** kgm²

Bearing DE **6314 - ZZ C3**
 Bearing NDE **6314 - ZZ C3**

WI	Change	date	sign.
Dutchi Motors B.V.		Description	date
P.O. Box 5390		Drawing made by :	27-04-04
NL-6802 EJ ARNHEM			
Tel : +31-(0)26 - 3541 600		dutchi.motors@dutchi.nl	
Fax : +31-(0)26 - 3541 650		www.dutchi.com	

Power is our commodity, the world is our market !



Specification **IEC 60034-1**
 Manufacturer **Dutchi Motors B.V.**
 Motor type **DM1- 250 M8**
 Rated power **30** kW **S1** duty
 Speed **735** r.p.m
 Voltage **400 / 690** V
 Frequency **50** Hz
 Connection **Δ / Y**
 Amps full load **59,7 / 34,4** A
 Amps no-load(400V) **27,70** A
 Enclosure **IP 55**
 Insulation Class **F (temp. rise B (80 K))**

Max. coolant temp. **40°C**
 Max. altitude **1.000** mtr, above sea level
 Comment **3 x PTC 150°C**
 Cable entries **2 x M63x1,5 + 1 x M20x1,5 (ptc)**

Feature **Cast-iron motor**
 Weight **370** kg
 Catalog no. **11038A30D**
 Warranty **12~18 months**

Efficiency class **N/A**
 Load data 100% 75% 50% 25%
 Efficiency **90,4 90,4 89,0 82,8** %
 Power factor **0,80 0,76 0,65 0,43**

Sound pressure level (1m) **65,7** dB(A)
 Resistance R20 (open) **0,264** Ω
 Resistance R20 **Δ 0,176** Ω

Full load torque **389,80** Nm
 DOL Starting torque vs FL torque **2,05**
 DOL Pull up torque vs FL torque **1,50**
 DOL Pull out torque vs FL torque **2,97**
 Star-Delta Starting torque vs FL torque **0,64**
 Star-Delta Pull up torque vs FL torque **0,47**
 Star-Delta Pull out torque vs FL torque **0,93**
 DOL Starting current vs FL current **5,96**
 Star Delta Starting current vs FL current **1,86**
 Rotor Inertia **0,8090** kgm2

Bearing DE **6314 - ZZ C3**
 Bearing NDE **6314 - ZZ C3**

WI	Change	date	sign.
Dutchi Motors B.V. P.O. Box 5390 NL-6802 EJ ARNHEM Tel : +31-(0)26 - 3541 600 Fax : +31-(0)26 - 3541 650		Description	date
		Drawing made by :	27-04-04
		dutchi.motors@dutchi.nl www.dutchi.com	