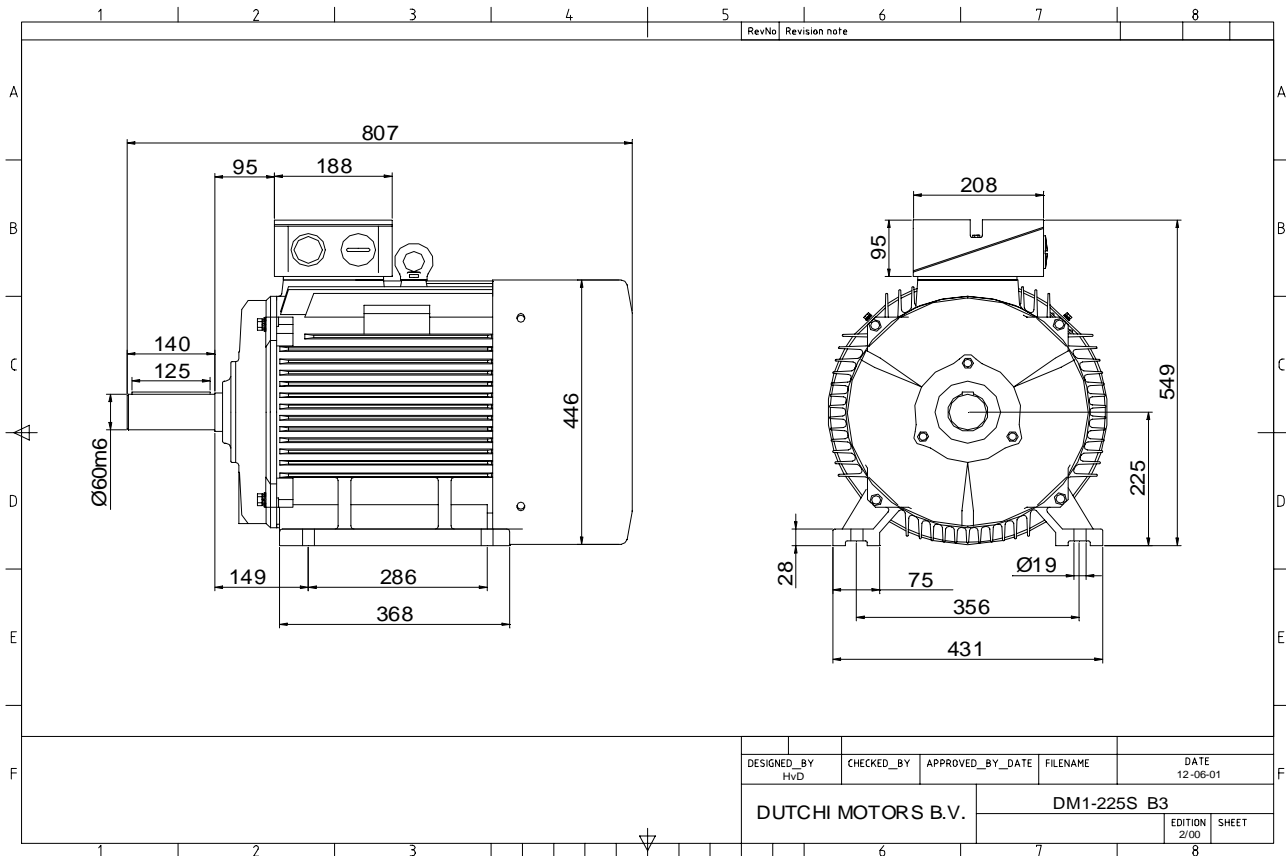


Power is our commodity, the world is our market !



Specification **IEC 60034-1**
 Manufacturer **Dutchi Motors B.V.**
 Motor type **DM1- 225 S8**
 Rated power **18,5** kW **S1** duty
 Speed **730** r.p.m
 Voltage **400 / 690** V
 Frequency **50** Hz
 Connection **Δ / Y**
 Amps full load **39,1 / 22,6** A
 Amps no-load(400V) **19,9** A
 Enclosure **IP 55**
 Insulation Class **F (temp. rise B (80 K))**

Max. coolant temp. **40°C**
 Max. altitude **1.000** mtr, above sea level
 Comment **3 x PTC 150°C**
 Cable entries **2 x M50x1,5 + 1 x M20x1,5 (ptc)**

Feature **Cast-iron motor**
 Weight **272** kg
 Catalog no. **11138A18D**
 Warranty **12~18 months**

Efficiency class **N/A**
 Load data 100% 75% 50% 25%
 Efficiency **90,2 90,2 88,8 83,2** %
 Power factor **0,76 0,70 0,58 0,38**

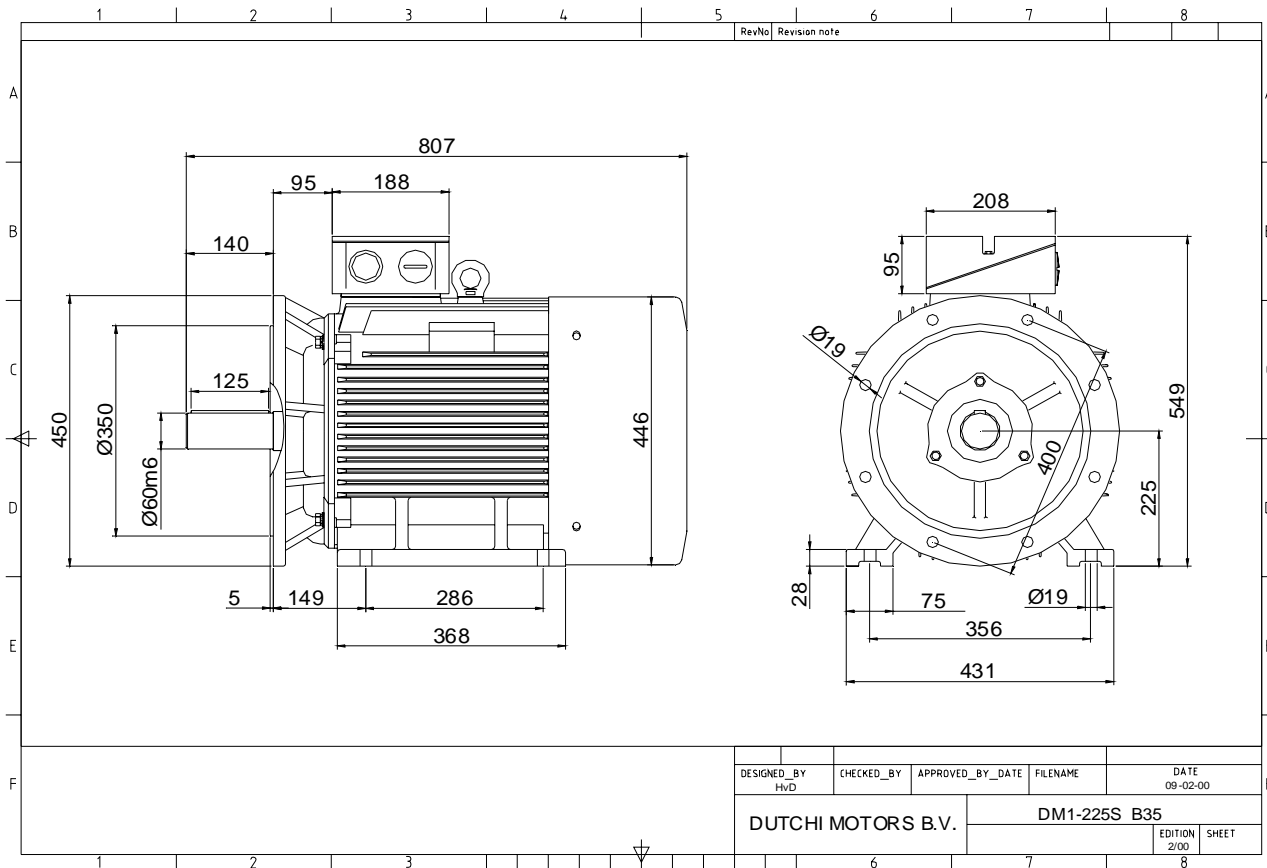
Sound pressure level (1m) **60,0** dB(A)
 Resistance R20 (open) **0,427** Ω
 Resistance R20 **Δ 0,284** Ω

Full load torque **242** Nm
 DOL Starting torque vs FL torque **2,19**
 DOL Pull up torque vs FL torque **1,54**
 DOL Pull out torque vs FL torque **2,78**
 Star-Delta Starting torque vs FL torque **0,68**
 Star-Delta Pull up torque vs FL torque **0,48**
 Star-Delta Pull out torque vs FL torque **0,87**
 DOL Starting current vs FL current **6,62**
 Star Delta Starting current vs FL current **2,07**
 Rotor Inertia **0,4810** kgm²

Bearing DE **6313 - ZZ C3**
 Bearing NDE **6313 - ZZ C3**

WI	Change	date	sign.
Dutchi Motors B.V. P.O. Box 5390 NL-6802 EJ ARNHEM Tel : +31-(0)26 - 3541 600 Fax : +31-(0)26 - 3541 650		Description	date
		Drawing made by :	27-04-04
		dutchi.motors@dutchi.nl www.dutchi.com	

Power is our commodity, the world is our market !

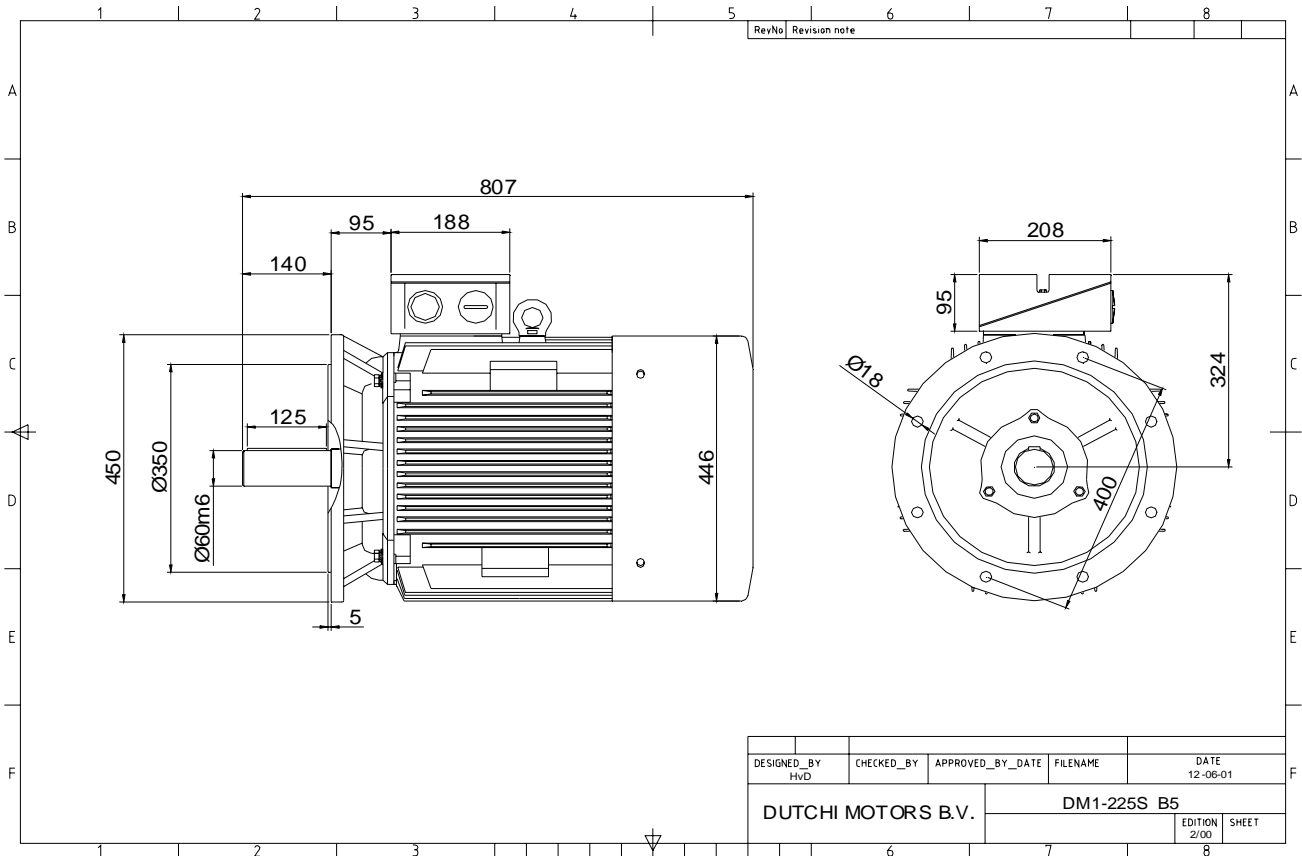


Specification	IEC 60034-1
Manufacturer	Dutchi Motors B.V.
Motor type	DM1- 225 S8
Rated power	18,5 kW S1 duty
Speed	730 r.p.m
Voltage	400 / 690 V
Frequency	50 Hz
Connection	Δ / Y
Amps full load	39,1 / 22,6 A
Amps no-load(400V)	19,9 A
Enclosure	IP 55
Insulation Class	F (temp. rise B (80 K))
Max. coolant temp.	40°C
Max. altitude	1.000 mtr, above sea level
Comment	3 x PTC 150°C
Cable entries	2 x M50x1,5 + 1 x M20x1,5 (ptc)
Feature	Cast-iron motor
Weight	272 kg
Catalog no.	11538A18D
Warranty	12~18 months

Efficiency class	N/A			
Load data	100%	75%	50%	25%
Efficiency	90,2	90,2	88,8	83,2 %
Power factor	0,76	0,70	0,58	0,38
Sound pressure level (1m)				60,0 dB(A)
Resistance R20 (open)				0,427 Ω
Resistance R20	Δ			0,284 Ω
Full load torque				242 Nm
DOL Starting torque vs FL torque				2,19
DOL Pull up torque vs FL torque				1,54
DOL Pull out torque vs FL torque				2,78
Star-Delta Starting torque vs FL torque				0,68
Star-Delta Pull up torque vs FL torque				0,48
Star-Delta Pull out torque vs FL torque				0,87
DOL Starting current vs FL current				6,62
Star Delta Starting current vs FL current				2,07
Rotor Inertia				0,4810 kgm ²
Bearing DE				6313 - ZZ C3
Bearing NDE				6313 - ZZ C3

WI	Change	date	sign.
Dutchi Motors B.V. P.O. Box 5390 NL-6802 EJ ARNHEM Tel : +31-(0)26 - 3541 600 Fax : +31-(0)26 - 3541 650		Discription Drawing made by :	date 27-04-04 sign. HvD
		dutchi.motors@dutchi.nl www.dutchi.com	

Power is our commodity, the world is our market !

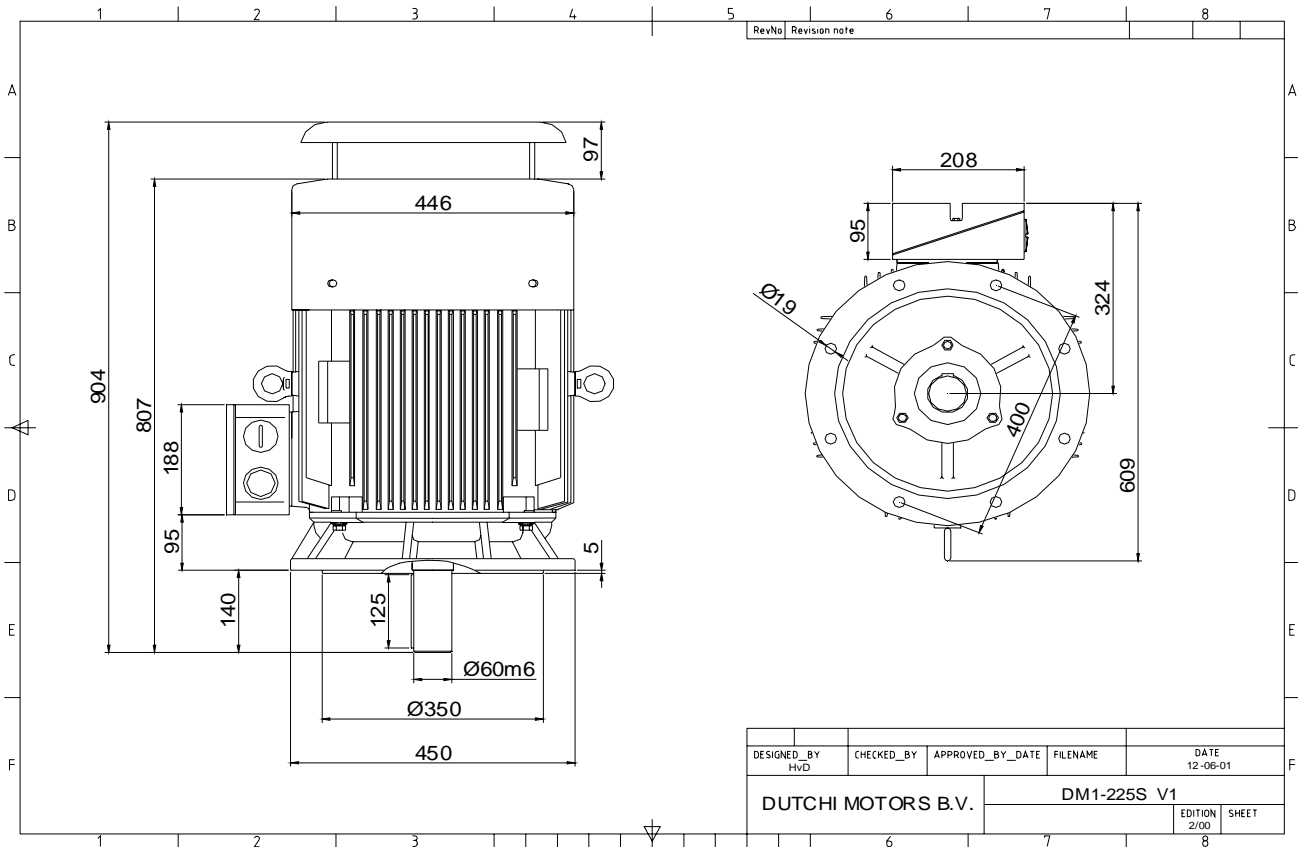


Specification	IEC 60034-1
Manufacturer	Dutchi Motors B.V.
Motor type	DM1- 225 S8
Rated power	18,5 kW S1 duty
Speed	730 r.p.m
Voltage	400 / 690 V
Frequency	50 Hz
Connection	Δ / Y
Amps full load	39,1 / 22,6 A
Amps no-load(400V)	19,9 A
Enclosure	IP 55
Insulation Class	F (temp. rise B (80 K))
Max. coolant temp.	40°C
Max. altitude	1.000 mtr, above sea level
Comment	3 x PTC 150°C
Cable entries	2 x M50x1,5 + 1 x M20x1,5 (ptc)
Feature	Cast-iron motor
Weight	272 kg
Catalog no.	11238A18D
Warranty	12~18 months

Efficiency class	N/A			
Load data	100%	75%	50%	25%
Efficiency	90,2	90,2	88,8	83,2 %
Power factor	0,76	0,70	0,58	0,38
Sound pressure level (1m)				60,0 dB(A)
Resistance R20 (open)				0,427 Ω
Resistance R20	Δ			0,284 Ω
Full load torque				242 Nm
DOL Starting torque vs FL torque				2,19
DOL Pull up torque vs FL torque				1,54
DOL Pull out torque vs FL torque				2,78
Star-Delta Starting torque vs FL torque				0,68
Star-Delta Pull up torque vs FL torque				0,48
Star-Delta Pull out torque vs FL torque				0,87
DOL Starting current vs FL current				6,62
Star Delta Starting current vs FL current				2,07
Rotor Inertia				0,4810 kgm ²
Bearing DE				6313 - ZZ C3
Bearing NDE				6313 - ZZ C3

WI	Change	date	sign.
Dutchi Motors B.V. P.O. Box 5390 NL-6802 EJ ARNHEM Tel : +31-(0)26 - 3541 600 Fax : +31-(0)26 - 3541 650		Discription Drawing made by :	date 27-04-04 sign. HvD
dutchi.motors@dutchi.nl www.dutchi.com			

Power is our commodity, the world is our market !



Specification **IEC 60034-1**
 Manufacturer **Dutchi Motors B.V.**
 Motor type **DM1- 225 S8**
 Rated power **18,5** kW **S1** duty
 Speed **730** r.p.m
 Voltage **400** / **690** V
 Frequency **50** Hz
 Connection **Δ** / **Y**
 Amps full load **39,1** / **22,6** A
 Amps no-load(400V) **19,9** A
 Enclosure **IP 55**
 Insulation Class **F (temp. rise B (80 K))**

Max. coolant temp. **40°C**
 Max. altitude **1.000** mtr, above sea level
 Comment **3 x PTC 150°C**
 Cable entries **2 x M50x1,5 + 1 x M20x1,5 (ptc)**

Feature **Cast-iron motor**
 Weight **272** kg
 Catalog no. **11038A18D**
 Warranty **12~18 months**

Efficiency class **N/A**
 Load data 100% 75% 50% 25%
 Efficiency **90,2 90,2 88,8 83,2** %
 Power factor **0,76 0,70 0,58 0,38**

Sound pressure level (1m) **60,0** dB(A)
 Resistance R20 (open) **0,427** Ω
 Resistance R20 **Δ 0,284** Ω

Full load torque **242** Nm
 DOL Starting torque vs FL torque **2,19**
 DOL Pull up torque vs FL torque **1,54**
 DOL Pull out torque vs FL torque **2,78**
 Star-Delta Starting torque vs FL torque **0,68**
 Star-Delta Pull up torque vs FL torque **0,48**
 Star-Delta Pull out torque vs FL torque **0,87**
 DOL Starting current vs FL current **6,62**
 Star Delta Starting current vs FL current **2,07**
 Rotor Inertia **0,4810** kgm²

Bearing DE **6313 - ZZ C3**
 Bearing NDE **6313 - ZZ C3**

WI	Change	date	sign.
Dutchi Motors B.V. P.O. Box 5390 NL-6802 EJ ARNHEM Tel : +31-(0)26 - 3541 600 Fax : +31-(0)26 - 3541 650		Discription Drawing made by : 27-04-04	date sign. HVD
		dutchi.motors@dutchi.nl www.dutchi.com	