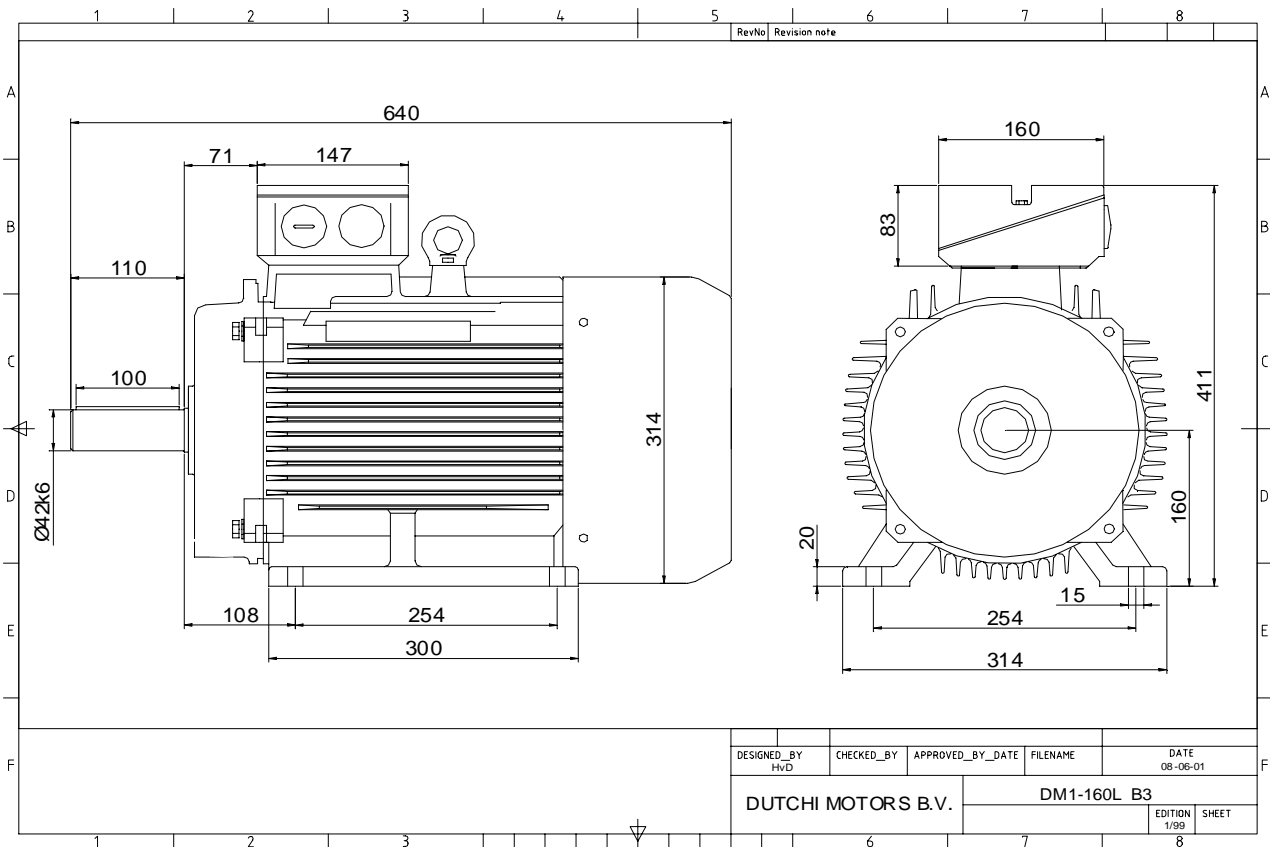


Power is our commodity, the world is our market !

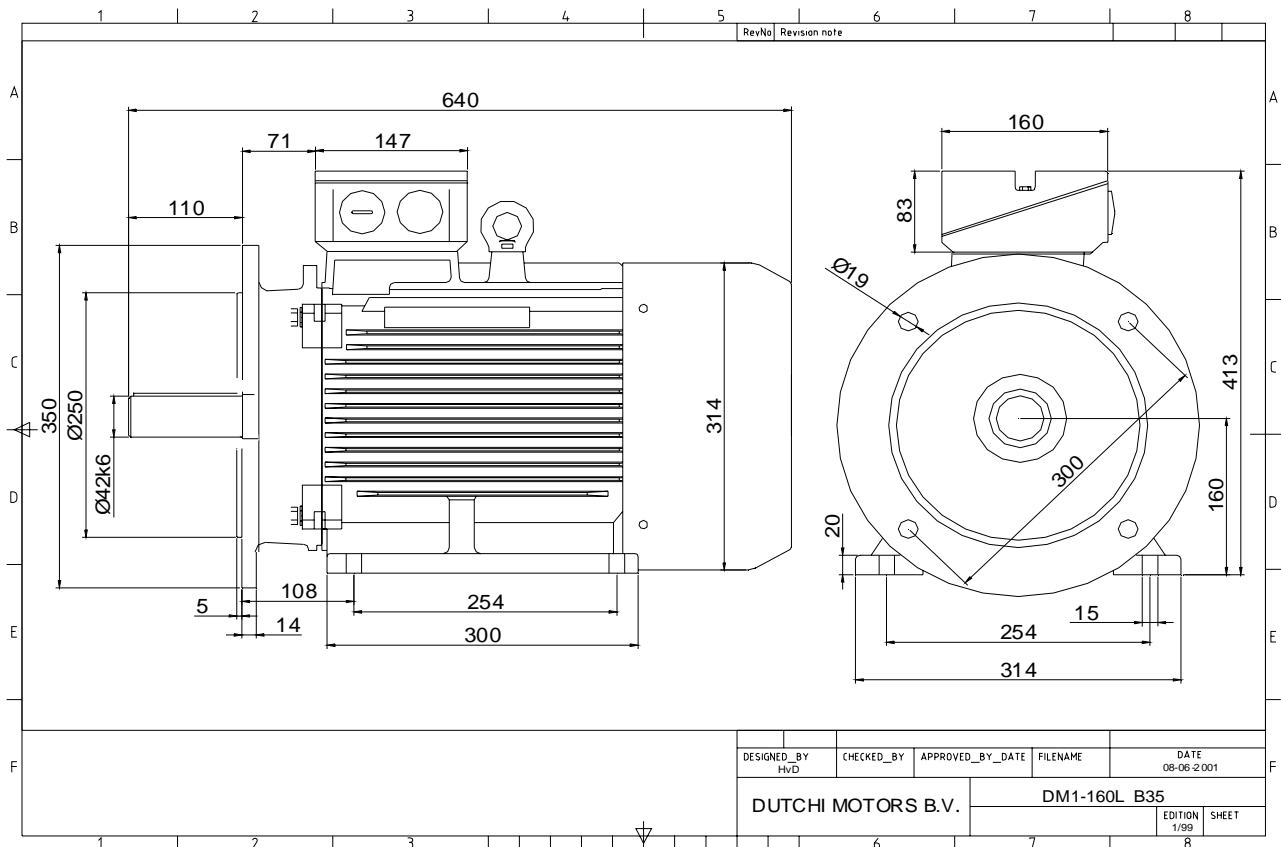


Specification	IEC 60034-1
Manufacturer	Dutchi Motors B.V.
Motor type	DM1- 160 L8
Rated power	7,5 kW S1 duty
Speed	720 r.p.m
Voltage	400 / 690 V
Frequency	50 Hz
Connection	Δ / Y
Amps full load	16,3 / 9,4 A
Amps no-load(400V)	9,40 A
Enclosure	IP 55
Insulation Class	F (temp. rise B (80 K))
Max. coolant temp.	40°C
Max. altitude	1.000 mtr, above sea level
Comment	3 x PTC 150°C
Cable entries	2 x M40x1,5 + 1 x M20x1,5 (ptc)
Feature	Cast-iron motor
Weight	128 kg
Catalog no.	11138750D
Warranty	12~18 months

Efficiency class	N/A			
Load data	100%	75%	50%	25%
Efficiency	85,8	86,5	85,2	78,1 %
Power factor	0,77	0,70	0,57	0,35
Sound pressure level (1m)				52,6 dB(A)
Resistance R20 (open)				1,777 Ω
Resistance R20	Δ			1,184 Ω
Full load torque				99 Nm
DOL Starting torque vs FL torque				2,07
DOL Pull up torque vs FL torque				1,60
DOL Pull out torque vs FL torque				3,30
Star-Delta Starting torque vs FL torque				0,65
Star-Delta Pull up torque vs FL torque				0,50
Star-Delta Pull out torque vs FL torque				1,03
DOL Starting current vs FL current				5,97
Star Delta Starting current vs FL current				1,87
Rotor Inertia				0,1140 kgm ²
Bearing DE				6309 - ZZ C3
Bearing NDE				6309 - ZZ C3

WI	Change	date	sign.
Dutchi Motors B.V. P.O. Box 5390 NL-6802 EJ ARNHEM Tel : +31-(0)26 - 3541 600 Fax : +31-(0)26 - 3541 650		Discription Drawing made by :	date 27-04-04 sign. HvD
		dutchi.motors@dutchi.nl www.dutchi.com	

Power is our commodity, the world is our market !



Specification **IEC 60034-1**
 Manufacturer **Dutchi Motors B.V.**
 Motor type **DM1- 160 L8**
 Rated power **7,5** kW **S1** duty
 Speed **720** r.p.m
 Voltage **400 / 690** V
 Frequency **50** Hz
 Connection **Δ / Y**
 Amps full load **16,30 / 9,41** A
 Amps no-load(400V) **9,40** A
 Enclosure **IP 55**
 Insulation Class **F (temp. rise B (80 K))**

Max. coolant temp. **40°C**
 Max. altitude **1.000** mtr, above sea level
 Comment **3 x PTC 150°C**
 Cable entries **2 x M40x1,5 + 1 x M20x1,5 (ptc)**

Feature **Cast-iron motor**
 Weight **128** kg
 Catalog no. **11538750D**
 Warranty **12~18 months**

Efficiency class **N/A**
 Load data 100% 75% 50% 25%
 Efficiency **85,8 86,5 85,2 78,1** %
 Power factor **0,77 0,70 0,57 0,35**

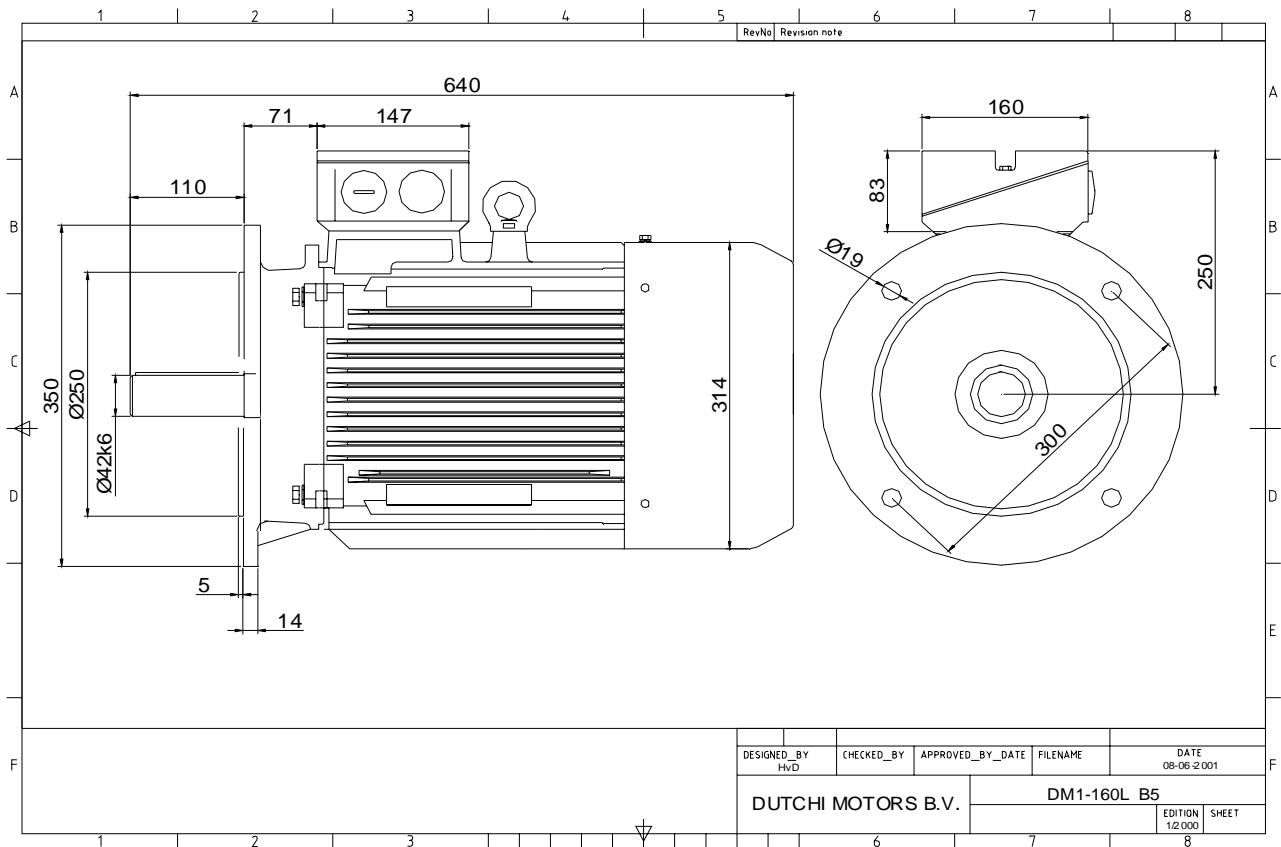
Sound pressure level (1m) **52,6** dB(A)
 Resistance R20 (open) **1,777** Ω
 Resistance R20 **Δ 1,184** Ω

Full load torque **99,48** Nm
 DOL Starting torque vs FL torque **2,07**
 DOL Pull up torque vs FL torque **1,60**
 DOL Pull out torque vs FL torque **3,30**
 Star-Delta Starting torque vs FL torque **0,65**
 Star-Delta Pull up torque vs FL torque **0,50**
 Star-Delta Pull out torque vs FL torque **1,03**
 DOL Starting current vs FL current **5,97**
 Star Delta Starting current vs FL current **1,87**
 Rotor Inertia **0,1140** kgm²

Bearing DE **6309 - ZZ C3**
 Bearing NDE **6309 - ZZ C3**

WI	Change	date	sign.
Dutchi Motors B.V.		Description	date
P.O. Box 5390		Drawing made by :	19-04-04
NL-6802 EJ ARNHEM			
Tel : +31-(0)26 - 3541 600		dutchi.motors@dutchi.nl	
Fax : +31-(0)26 - 3541 650		www.dutchi.com	

Power is our commodity, the world is our market !



Specification **IEC 60034-1**
 Manufacturer **Dutchi Motors B.V.**
 Motor type **DM1- 160 L8**
 Rated power **7,5** kW **S1** duty
 Speed **720** r.p.m
 Voltage **400 / 690** V
 Frequency **50** Hz
 Connection **Δ / Y**
 Amps full load **16,30 / 9,41** A
 Amps no-load(400V) **9,40** A
 Enclosure **IP 55**
 Insulation Class **F (temp. rise B (80 K))**

Max. coolant temp. **40°C**
 Max. altitude **1.000** mtr, above sea level
 Comment **3 x PTC 150°C**
 Cable entries **2 x M40x1,5 + 1 x M20x1,5 (ptc)**

Feature **Cast-iron motor**
 Weight **128** kg
 Catalog no. **11238750D**
 Warranty **12~18 months**

Efficiency class **N/A**
 Load data 100% 75% 50% 25%
 Efficiency **85,8 86,5 85,2 78,1** %
 Power factor **0,77 0,70 0,57 0,35**

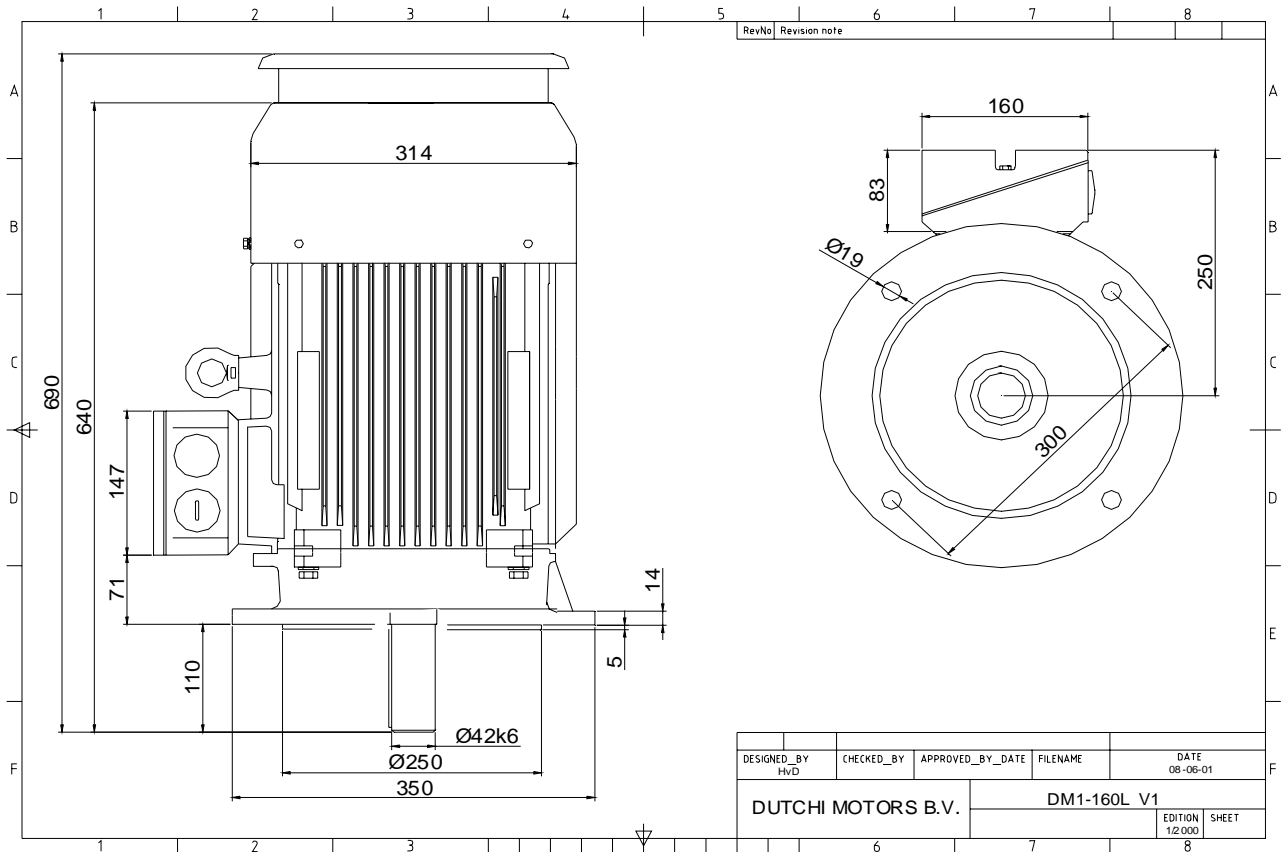
Sound pressure level (1m) **52,6** dB(A)
 Resistance R20 (open) **1,777** Ω
 Resistance R20 **Δ 1,184** Ω

Full load torque **99,48** Nm
 DOL Starting torque vs FL torque **2,07**
 DOL Pull up torque vs FL torque **1,60**
 DOL Pull out torque vs FL torque **3,30**
 Star-Delta Starting torque vs FL torque **0,65**
 Star-Delta Pull up torque vs FL torque **0,50**
 Star-Delta Pull out torque vs FL torque **1,03**
 DOL Starting current vs FL current **5,97**
 Star Delta Starting current vs FL current **1,87**
 Rotor Inertia **0,1140** kgm²

Bearing DE **6309 - ZZ C3**
 Bearing NDE **6309 - ZZ C3**

WI	Change	date	sign.
Dutchi Motors B.V. P.O. Box 5390 NL-6802 EJ ARNHEM Tel : +31-(0)26 - 3541 600 Fax : +31-(0)26 - 3541 650		Description	date
		Drawing made by :	19-04-04
		dutchi.motors@dutchi.nl www.dutchi.com	

Power is our commodity, the world is our market !



Specification **IEC 60034-1**
 Manufacturer **Dutchi Motors B.V.**
 Motor type **DM1- 160 L8**
 Rated power **7,5** kW **S1** duty
 Speed **720** r.p.m
 Voltage **400 / 690** V
 Frequency **50** Hz
 Connection **Δ / Y**
 Amps full load **16,30 / 9,41** A
 Amps no-load(400V) **9,40** A
 Enclosure **IP 55**
 Insulation Class **F (temp. rise B (80 K))**

Max. coolant temp. **40°C**
 Max. altitude **1.000** mtr, above sea level
 Comment **3 x PTC 150°C**
 Cable entries **2 x M40x1,5 + 1 x M20x1,5 (ptc)**

Feature **Cast-iron motor**
 Weight **128** kg
 Catalog no. **11038750D**
 Warranty **12~18 months**

Efficiency class **N/A**
 Load data 100% 75% 50% 25%
 Efficiency **85,8 86,5 85,2 78,1** %
 Power factor **0,77 0,70 0,57 0,35**

Sound pressure level (1m) **52,6** dB(A)
 Resistance R20 (open) **1,777** Ω
 Resistance R20 **Δ 1,184** Ω

Full load torque **99,48** Nm
 DOL Starting torque vs FL torque **2,07**
 DOL Pull up torque vs FL torque **1,60**
 DOL Pull out torque vs FL torque **3,30**
 Star-Delta Starting torque vs FL torque **0,65**
 Star-Delta Pull up torque vs FL torque **0,50**
 Star-Delta Pull out torque vs FL torque **1,03**
 DOL Starting current vs FL current **5,97**
 Star Delta Starting current vs FL current **1,87**
 Rotor Inertia **0,1140** kgm²

Bearing DE **6309 - ZZ C3**
 Bearing NDE **6309 - ZZ C3**

WI	Change	date	sign.
Dutchi Motors B.V. P.O. Box 5390 NL-6802 EJ ARNHEM Tel : +31-(0)26 - 3541 600 Fax : +31-(0)26 - 3541 650		Description Drawing made by : 19-04-04	date 19-04-04 sign. HvD
		dutchi.motors@dutchi.nl www.dutchi.com	