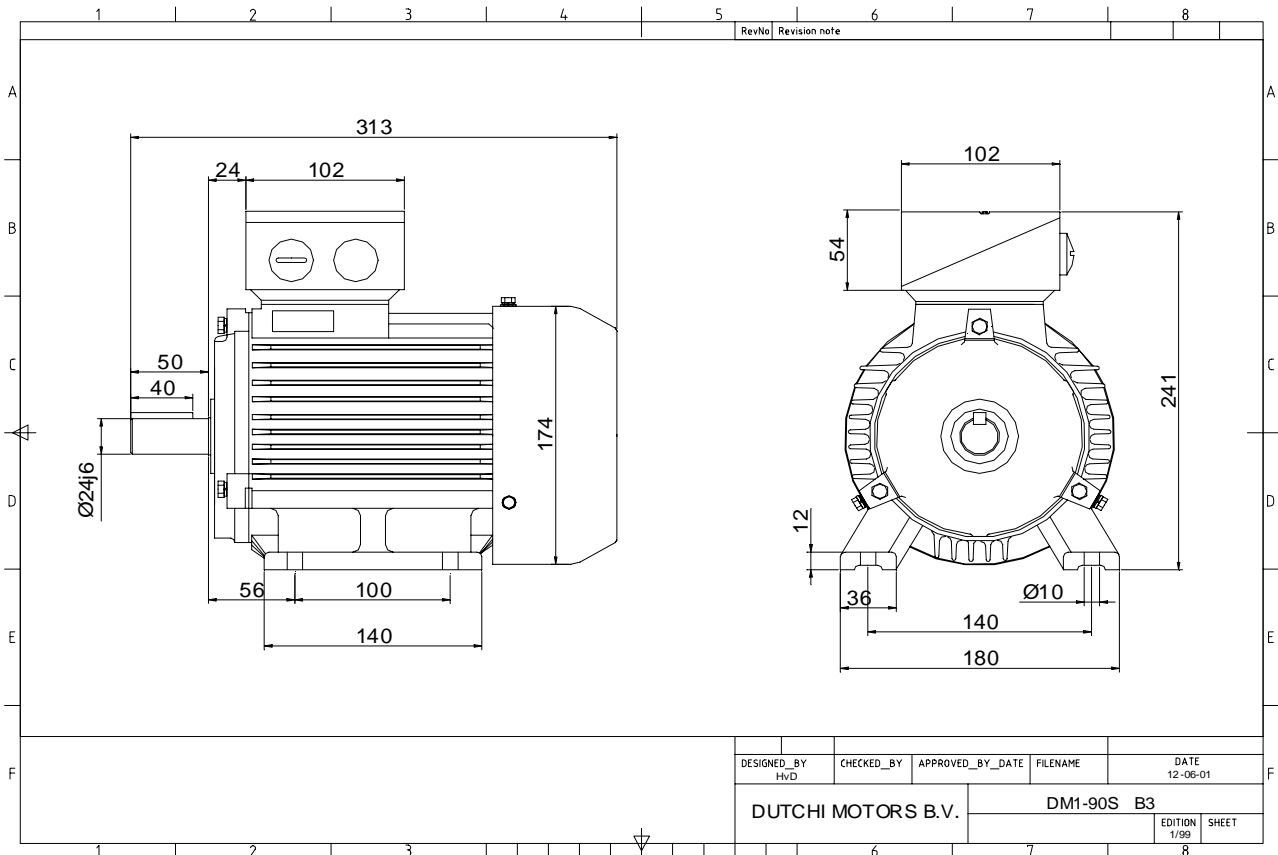


Power is our commodity, the world is our market !



Specification **IEC 60034-1**
 Manufacturer **Dutchi Motors B.V.**
 Motor type **DM1-HE 90S2**
 Rated power **1,50** kW **S1** duty
 Speed **2840** r.p.m
 Voltage **230 / 400** V
 Frequency **50** Hz
 Connection **Δ / Y**
 Amps full load **5,3 / 3,1** A
 Amps no-load(400V) **1,38** A
 Enclosure **IP 55**
 Insulation Class **F (temp. rise B (80 K))**

Max. coolant temp. **40°C**
 Max. altitude **1.000** mtr, above sea level
 Comment **3 x PTC 150°C**
 Cable entries **2 x M25x1,5 + 1 x M20x1,5 (ptc)**

Feature **Cast-iron motor**
 Weight **kg**
 Catalog no. **11122150DH**
 Warranty **12~18 months**

Efficiency class **EFF 1**
 Load data 100% 75% 50% 25%
 Efficiency **85,3 86,0 84,9 78,1** %
 Power factor **0,83 0,78 0,67 0,46**

Sound pressure level (1m) **51,4** dB(A)
 Resistance R20 (open) **3,263** Ω
 Resistance R20 **Y 6,527** Ω

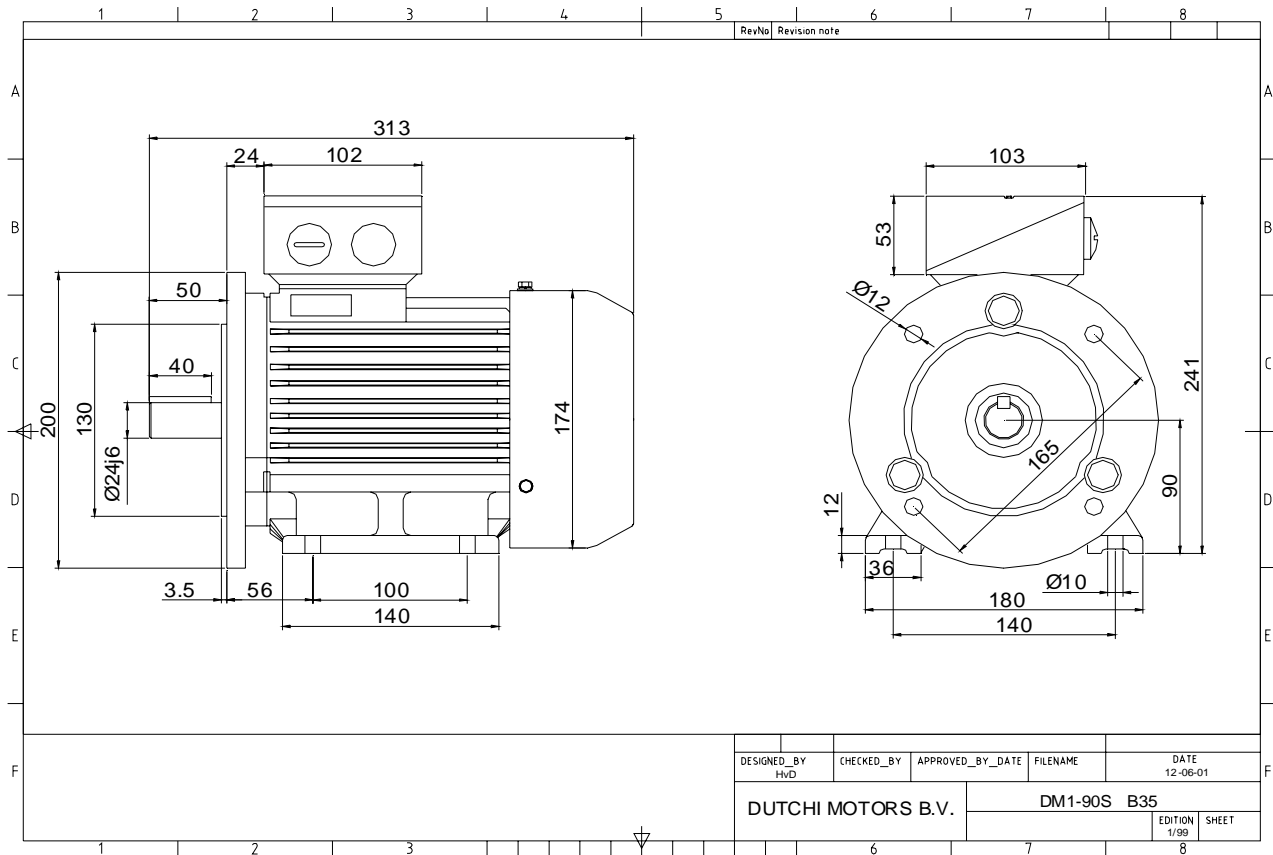
Full load torque **5** Nm
 DOL Starting torque vs FL torque **3,09**
 DOL Pull up torque vs FL torque **1,91**
 DOL Pull out torque vs FL torque **3,46**
 Star-Delta Starting torque vs FL torque **Y - motor**
 Star-Delta Pull up torque vs FL torque **Y - motor**
 Star-Delta Pull out torque vs FL torque **Y - motor**
 DOL Starting current vs FL current **7,91**
 Star Delta Starting current vs FL current **Y - motor**

Rotor Inertia **kgm2**

Bearing DE **6205 - ZZ**
 Bearing NDE **6205 - ZZ**

WI	Change	date	sign.
Dutchi Motors B.V.		Description	date
P.O. Box 5390		Drawing made by :	27-04-04
NL-6802 EJ ARNHEM			
Tel : +31-(0)26 - 3541 600		dutchi.motors@dutchi.nl	
Fax : +31-(0)26 - 3541 650		www.dutchi.com	

Power is our commodity, the world is our market !



Specification **IEC 60034-1**
 Manufacturer **Dutchi Motors B.V.**
 Motor type **DM1-HE 90S2**
 Rated power **1,50** kW **S1** duty
 Speed **2840** r.p.m
 Voltage **230** / **400** V
 Frequency **50** Hz
 Connection **Δ** / **Y**
 Amps full load **5,3** / **3,1** A
 Amps no-load(400V) **1,38** A
 Enclosure **IP 55**
 Insulation Class **F (temp. rise B (80 K))**

Max. coolant temp. **40°C**
 Max. altitude **1.000** mtr, above sea level
 Comment **3 x PTC 150°C**
 Cable entries **2 x M25x1,5 + 1 x M20x1,5 (ptc)**

Feature **Cast-iron motor**
 Weight kg
 Catalog no. **11522150DH**
 Warranty **12~18 months**

Efficiency class **EFF 1**
 Load data 100% 75% 50% 25%
 Efficiency **85,3 86,0 84,9 78,1** %
 Power factor **0,83 0,78 0,67 0,46**

Sound pressure level (1m) **51,4** dB(A)
 Resistance R20 (open) **3,263** Ω
 Resistance R20 **Y 6,527** Ω

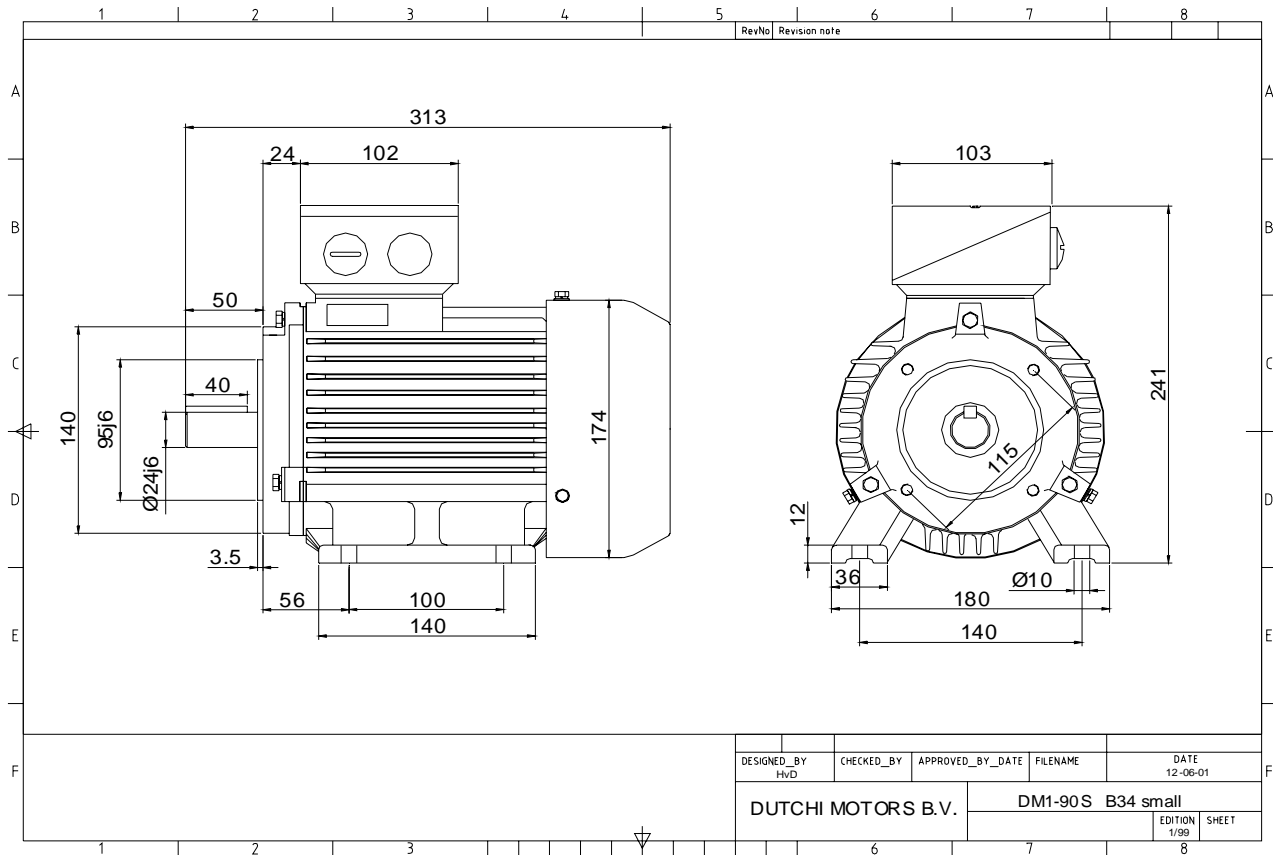
Full load torque **5** Nm
 DOL Starting torque vs FL torque **3,09**
 DOL Pull up torque vs FL torque **1,91**
 DOL Pull out torque vs FL torque **3,46**
 Star-Delta Starting torque vs FL torque **Y - motor**
 Star-Delta Pull up torque vs FL torque **Y - motor**
 Star-Delta Pull out torque vs FL torque **Y - motor**
 DOL Starting current vs FL current **7,91**
 Star Delta Starting current vs FL current **Y - motor**

Rotor Inertia kgm2

Bearing DE **6205 - ZZ**
 Bearing NDE **6205 - ZZ**

WI	Change	date	sign.
Dutchi Motors B.V. P.O. Box 5390 NL-6802 EJ ARNHEM Tel : +31-(0)26 - 3541 600 Fax : +31-(0)26 - 3541 650		Description	date
		Drawing made by :	27-04-04
		dutchi.motors@dutchi.nl www.dutchi.com	

Power is our commodity, the world is our market !



Specification **IEC 60034-1**
 Manufacturer **Dutchi Motors B.V.**
 Motor type **DM1-HE 90S2**
 Rated power **1,50** kW **S1** duty
 Speed **2840** r.p.m
 Voltage **230 / 400** V
 Frequency **50** Hz
 Connection **Δ / Y**
 Amps full load **5,3 / 3,1** A
 Amps no-load(400V) **1,38** A
 Enclosure **IP 55**
 Insulation Class **F (temp. rise B (80 K))**

Max. coolant temp. **40°C**
 Max. altitude **1.000** mtr, above sea level
 Comment **3 x PTC 150°C**
 Cable entries **2 x M25x1,5 + 1 x M20x1,5 (ptc)**

Feature **Cast-iron motor**
 Weight **kg**
 Catalog no. **11622150DH**
 Warranty **12~18 months**

Efficiency class **EFF 1**
 Load data 100% 75% 50% 25%
 Efficiency **85,3 86,0 84,9 78,1** %
 Power factor **0,83 0,78 0,67 0,46**

Sound pressure level (1m) **51,4** dB(A)
 Resistance R20 (open) **3,263** Ω
 Resistance R20 **Y 6,527** Ω

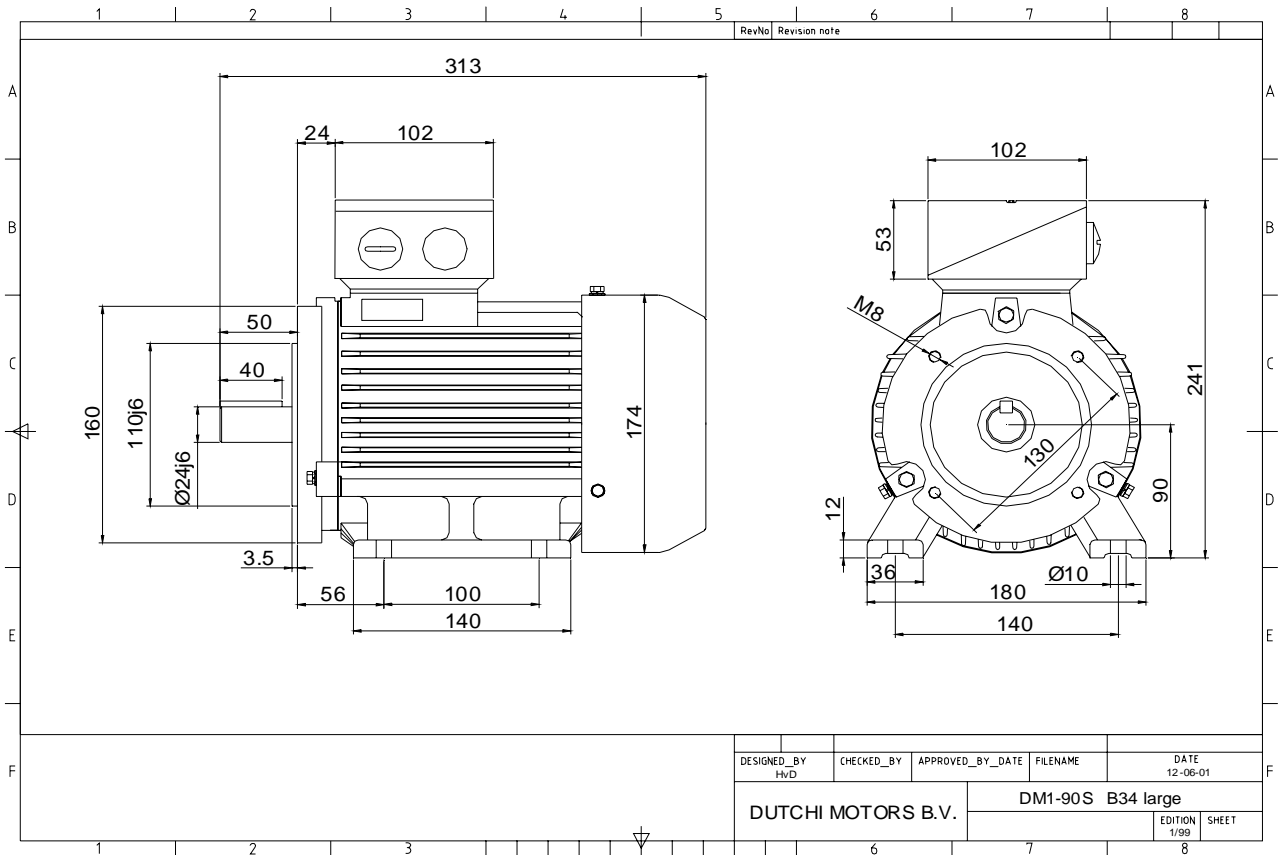
Full load torque **5** Nm
 DOL Starting torque vs FL torque **3,09**
 DOL Pull up torque vs FL torque **1,91**
 DOL Pull out torque vs FL torque **3,46**
 Star-Delta Starting torque vs FL torque **Y - motor**
 Star-Delta Pull up torque vs FL torque **Y - motor**
 Star-Delta Pull out torque vs FL torque **Y - motor**
 DOL Starting current vs FL current **7,91**
 Star Delta Starting current vs FL current **Y - motor**

Rotor Inertia **kgm2**

Bearing DE **6205 - ZZ**
 Bearing NDE **6205 - ZZ**

WI	Change	date	sign.
Dutchi Motors B.V.		Description	date
P.O. Box 5390		Drawing made by :	27-04-04
NL-6802 EJ ARNHEM			
Tel : +31-(0)26 - 3541 600		dutchi.motors@dutchi.nl	
Fax : +31-(0)26 - 3541 650		www.dutchi.com	

Power is our commodity, the world is our market !



Specification **IEC 60034-1**
 Manufacturer **Dutchi Motors B.V.**
 Motor type **DM1-HE 90S2**
 Rated power **1,50** kW **S1** duty
 Speed **2840** r.p.m
 Voltage **230 / 400** V
 Frequency **50** Hz
 Connection **Δ / Y**
 Amps full load **5,3 / 3,1** A
 Amps no-load(400V) **1,38** A
 Enclosure **IP 55**
 Insulation Class **F (temp. rise B (80 K))**

Max. coolant temp. **40°C**
 Max. altitude **1.000** mtr, above sea level
 Comment **3 x PTC 150°C**
 Cable entries **2 x M25x1,5 + 1 x M20x1,5 (ptc)**

Feature **Cast-iron motor**
 Weight **kg**
 Catalog no. **11722150DH**
 Warranty **12~18 months**

Efficiency class **EFF 1**
 Load data 100% 75% 50% 25%
 Efficiency **85,3 86,0 84,9 78,1** %
 Power factor **0,83 0,78 0,67 0,46**

Sound pressure level (1m) **51,4** dB(A)
 Resistance R20 (open) **3,263** Ω
 Resistance R20 **Y 6,527** Ω

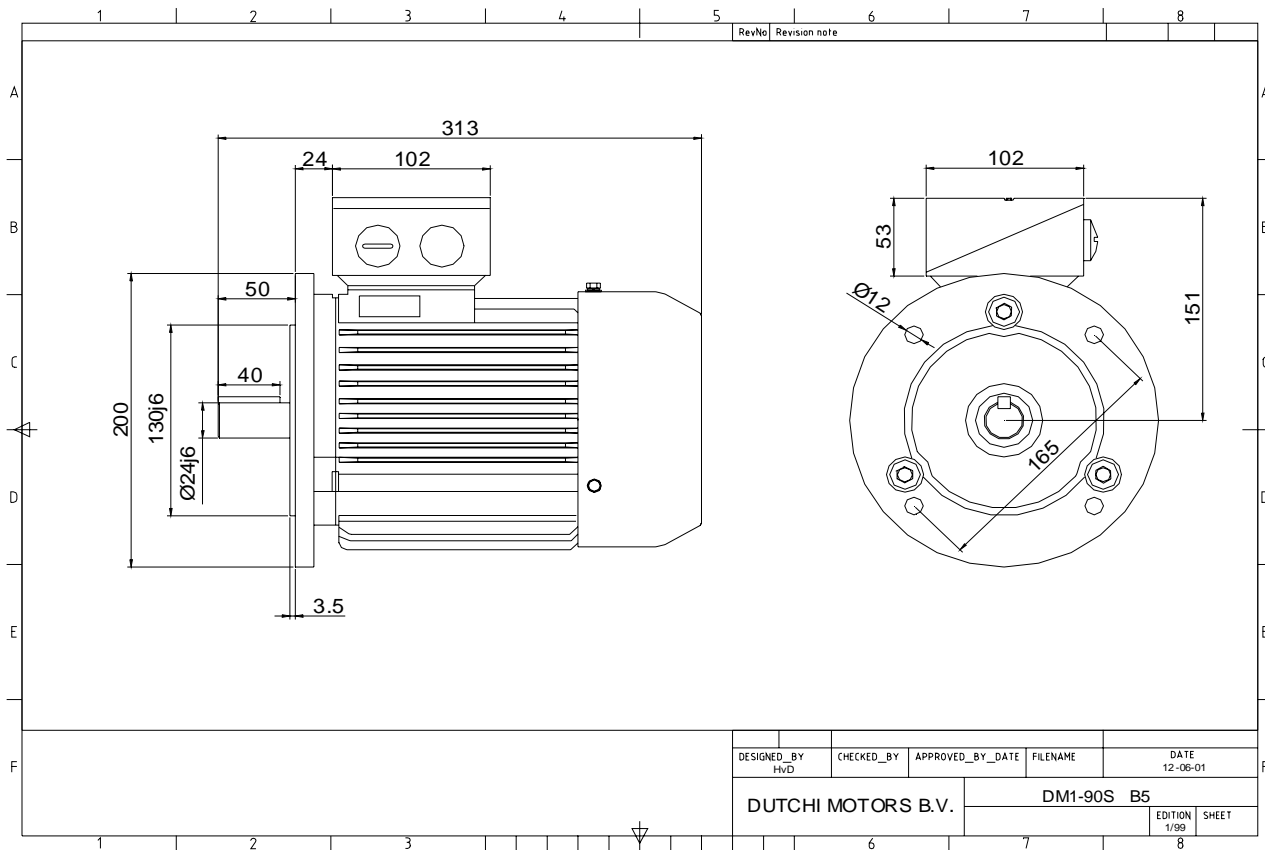
Full load torque **5** Nm
 DOL Starting torque vs FL torque **3,09**
 DOL Pull up torque vs FL torque **1,91**
 DOL Pull out torque vs FL torque **3,46**
 Star-Delta Starting torque vs FL torque **Y - motor**
 Star-Delta Pull up torque vs FL torque **Y - motor**
 Star-Delta Pull out torque vs FL torque **Y - motor**
 DOL Starting current vs FL current **7,91**
 Star Delta Starting current vs FL current **Y - motor**

Rotor Inertia **kgm2**

Bearing DE **6205 - ZZ**
 Bearing NDE **6205 - ZZ**

WI	Change	date	sign.
Dutchi Motors B.V.		Description	date
P.O. Box 5390		Drawing made by :	27-04-04
NL-6802 EJ ARNHEM			
Tel : +31-(0)26 - 3541 600		dutchi.motors@dutchi.nl	
Fax : +31-(0)26 - 3541 650		www.dutchi.com	

Power is our commodity, the world is our market !



Specification **IEC 60034-1**
 Manufacturer **Dutchi Motors B.V.**
 Motor type **DM1-HE 90S2**
 Rated power **1,50** kW **S1** duty
 Speed **2840** r.p.m
 Voltage **230** / **400** V
 Frequency **50** Hz
 Connection **Δ** / **Y**
 Amps full load **5,3** / **3,1** A
 Amps no-load(400V) **1,38** A
 Enclosure **IP 55**
 Insulation Class **F (temp. rise B (80 K))**

Max. coolant temp. **40°C**
 Max. altitude **1.000** mtr, above sea level
 Comment **3 x PTC 150°C**
 Cable entries **2 x M25x1,5 + 1 x M20x1,5 (ptc)**

Feature **Cast-iron motor**
 Weight **kg**
 Catalog no. **11222150DH**
 Warranty **12~18 months**

Efficiency class **EFF 1**
 Load data 100% 75% 50% 25%
 Efficiency **85,3 86,0 84,9 78,1** %
 Power factor **0,83 0,78 0,67 0,46**

Sound pressure level (1m) **51,4** dB(A)
 Resistance R20 (open) **3,263** Ω
 Resistance R20 **Y 6,527** Ω

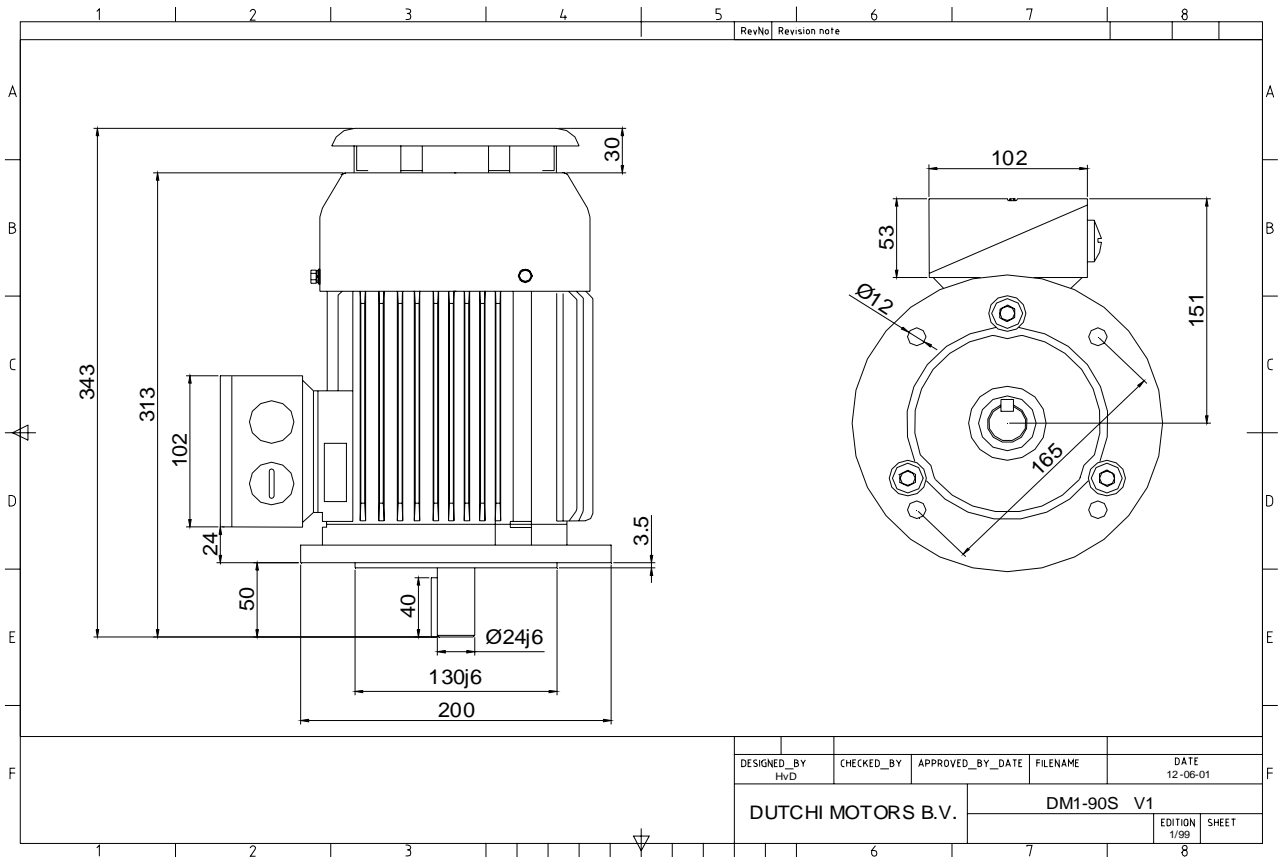
Full load torque **5** Nm
 DOL Starting torque vs FL torque **3,09**
 DOL Pull up torque vs FL torque **1,91**
 DOL Pull out torque vs FL torque **3,46**
 Star-Delta Starting torque vs FL torque **Y - motor**
 Star-Delta Pull up torque vs FL torque **Y - motor**
 Star-Delta Pull out torque vs FL torque **Y - motor**
 DOL Starting current vs FL current **7,91**
 Star Delta Starting current vs FL current **Y - motor**

Rotor Inertia **kgm2**

Bearing DE **6205 - ZZ**
 Bearing NDE **6205 - ZZ**

WI	Change	date	sign.
Dutchi Motors B.V.		Description	date
P.O. Box 5390		Drawing made by :	27-04-04
NL-6802 EJ ARNHEM			
Tel : +31-(0)26 - 3541 600		dutchi.motors@dutchi.nl	
Fax : +31-(0)26 - 3541 650		www.dutchi.com	

Power is our commodity, the world is our market !



Specification **IEC 60034-1**
 Manufacturer **Dutchi Motors B.V.**
 Motor type **DM1-HE 90S2**
 Rated power **1,50** kW **S1** duty
 Speed **2840** r.p.m
 Voltage **230** / **400** V
 Frequency **50** Hz
 Connection **Δ** / **Y**
 Amps full load **5,3** / **3,1** A
 Amps no-load(400V) **1,38** A
 Enclosure **IP 55**
 Insulation Class **F (temp. rise B (80 K))**

Max. coolant temp. **40°C**
 Max. altitude **1.000** mtr, above sea level
 Comment **3 x PTC 150°C**
 Cable entries **2 x M25x1,5 + 1 x M20x1,5 (ptc)**

Feature **Cast-iron motor**
 Weight **kg**
 Catalog no. **11022150DH**
 Warranty **12~18 months**

Efficiency class **EFF 1**
 Load data 100% 75% 50% 25%
 Efficiency **85,3 86,0 84,9 78,1** %
 Power factor **0,83 0,78 0,67 0,46**

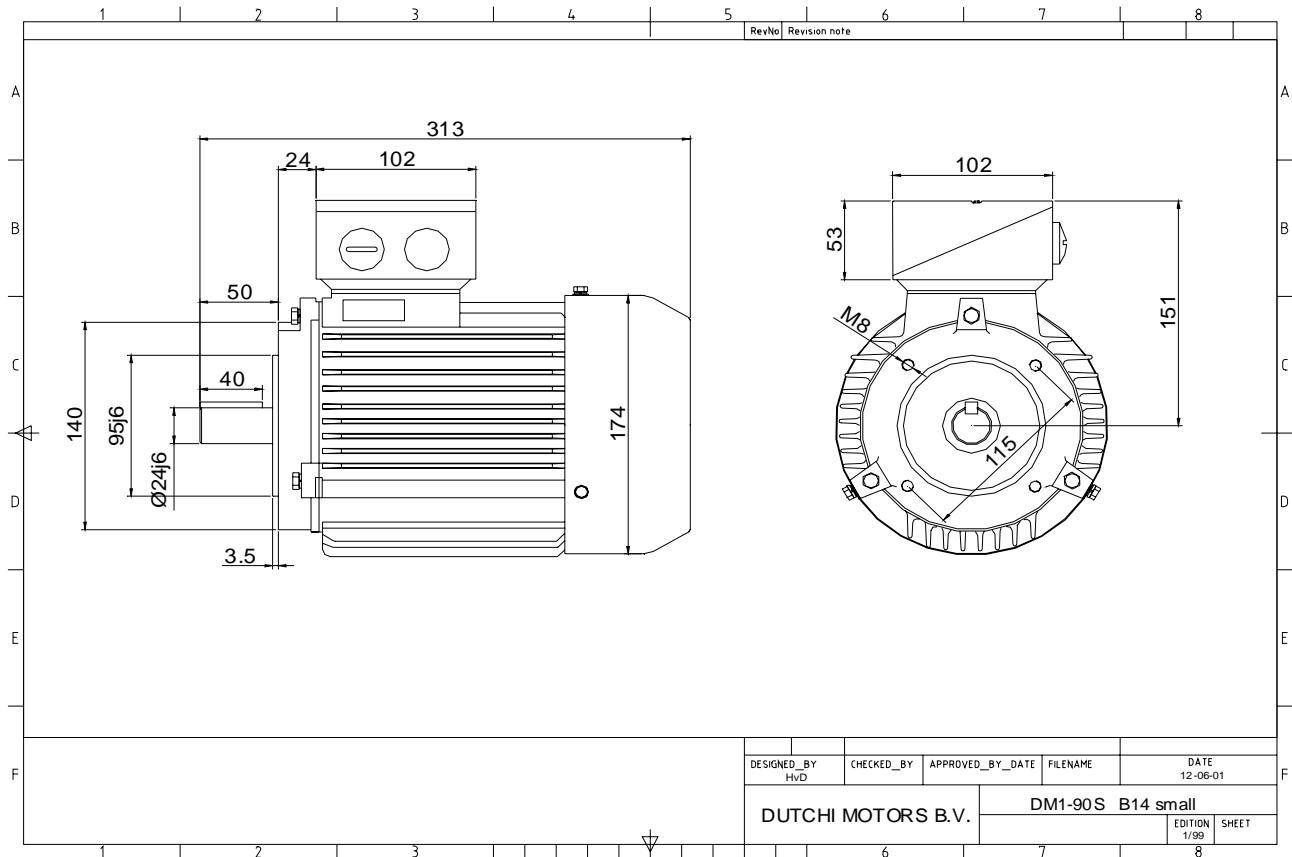
Sound pressure level (1m) **51,4** dB(A)
 Resistance R20 (open) **3,263** Ω
 Resistance R20 **Y 6,527** Ω

Full load torque **5** Nm
 DOL Starting torque vs FL torque **3,09**
 DOL Pull up torque vs FL torque **1,91**
 DOL Pull out torque vs FL torque **3,46**
 Star-Delta Starting torque vs FL torque **Y - motor**
 Star-Delta Pull up torque vs FL torque **Y - motor**
 Star-Delta Pull out torque vs FL torque **Y - motor**
 DOL Starting current vs FL current **7,91**
 Star Delta Starting current vs FL current **Y - motor**
 Rotor Inertia **kgm2**

Bearing DE **6205 - ZZ**
 Bearing NDE **6205 - ZZ**

WI	Change	date	sign.
Dutchi Motors B.V.		Discription	date
P.O. Box 5390		Drawing made by :	27-04-04
NL-6802 EJ ARNHEM			
Tel : +31-(0)26 - 3541 600		dutchi.motors@dutchi.nl	
Fax : +31-(0)26 - 3541 650		www.dutchi.com	

Power is our commodity, the world is our market !



Specification **IEC 60034-1**
 Manufacturer **Dutchi Motors B.V.**
 Motor type **DM1-HE 90S2**
 Rated power **1,50** kW **S1** duty
 Speed **2840** r.p.m
 Voltage **230** / **400** V
 Frequency **50** Hz
 Connection **Δ** / **Y**
 Amps full load **5,3** / **3,1** A
 Amps no-load(400V) **1,38** A
 Enclosure **IP 55**
 Insulation Class **F (temp. rise B (80 K))**

Max. coolant temp. **40°C**
 Max. altitude **1.000** mtr, above sea level
 Comment **3 x PTC 150°C**
 Cable entries **2 x M25x1,5 + 1 x M20x1,5 (ptc)**

Feature **Cast-iron motor**
 Weight **kg**
 Catalog no. **11322150DH**
 Warranty **12~18 months**

Efficiency class **EFF 1**
 Load data 100% 75% 50% 25%
 Efficiency **85,3 86,0 84,9 78,1** %
 Power factor **0,83 0,78 0,67 0,46**

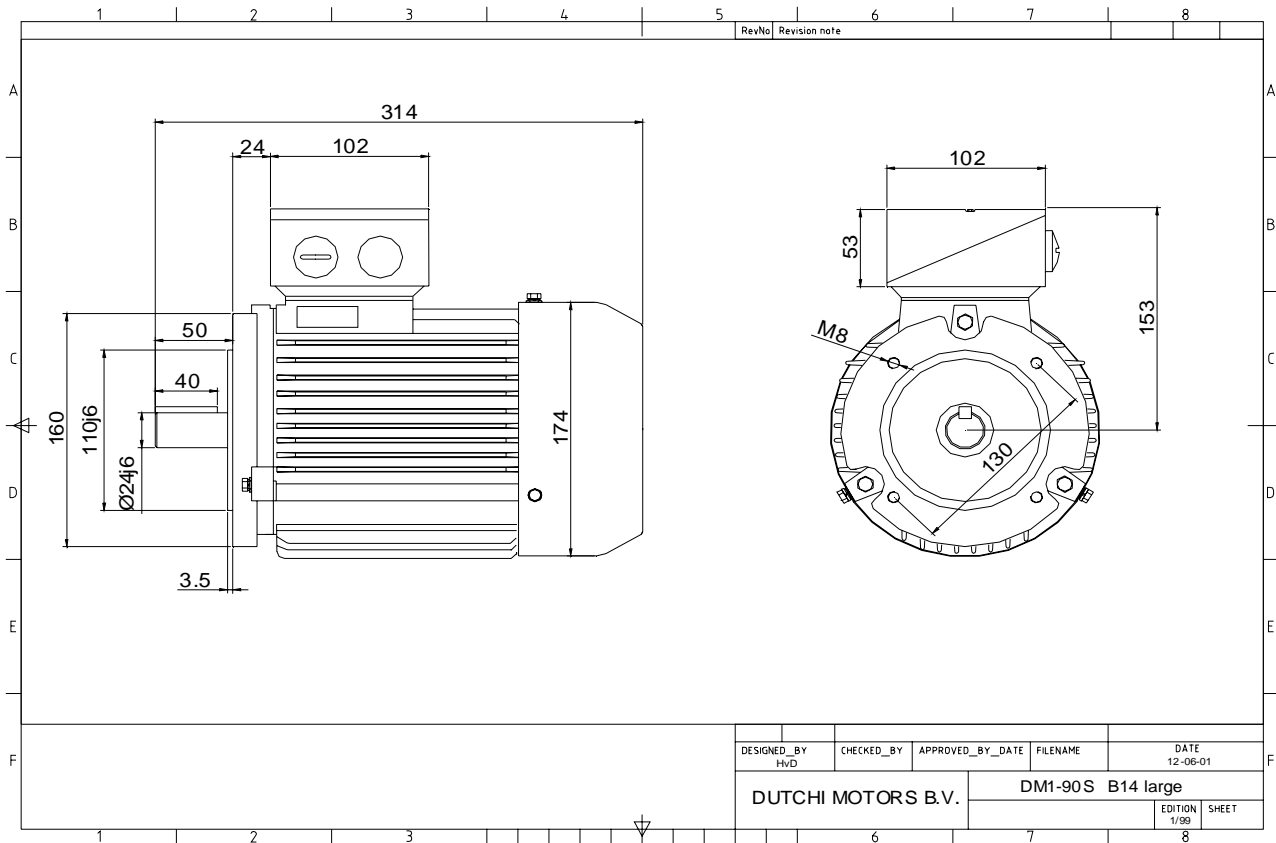
Sound pressure level (1m) **51,4** dB(A)
 Resistance R20 (open) **3,263** Ω
 Resistance R20 **Y 6,527** Ω

Full load torque **5** Nm
 DOL Starting torque vs FL torque **3,09**
 DOL Pull up torque vs FL torque **1,91**
 DOL Pull out torque vs FL torque **3,46**
 Star-Delta Starting torque vs FL torque **Y - motor**
 Star-Delta Pull up torque vs FL torque **Y - motor**
 Star-Delta Pull out torque vs FL torque **Y - motor**
 DOL Starting current vs FL current **7,91**
 Star Delta Starting current vs FL current **Y - motor**
 Rotor Inertia **kgm2**

Bearing DE **6205 - ZZ**
 Bearing NDE **6205 - ZZ**

WI	Change	date	sign.
Dutchi Motors B.V. P.O. Box 5390 NL-6802 EJ ARNHEM Tel : +31-(0)26 - 3541 600 Fax : +31-(0)26 - 3541 650		Description	date
		Drawing made by :	27-04-04
		dutchi.motors@dutchi.nl www.dutchi.com	

Power is our commodity, the world is our market !



Specification **IEC 60034-1**
 Manufacturer **Dutchi Motors B.V.**
 Motor type **DM1-HE 90S2**
 Rated power **1,50** kW **S1** duty
 Speed **2840** r.p.m
 Voltage **230** / **400** V
 Frequency **50** Hz
 Connection **Δ** / **Y**
 Amps full load **5,3** / **3,1** A
 Amps no-load(400V) **1,38** A
 Enclosure **IP 55**
 Insulation Class **F (temp. rise B (80 K))**

Max. coolant temp. **40°C**
 Max. altitude **1.000** mtr, above sea level
 Comment **3 x PTC 150°C**
 Cable entries **2 x M25x1,5 + 1 x M20x1,5 (ptc)**

Feature **Cast-iron motor**
 Weight kg
 Catalog no. **11422150DH**
 Warranty **12~18 months**

Efficiency class **EFF 1**
 Load data 100% 75% 50% 25%
 Efficiency **85,3 86,0 84,9 78,1** %
 Power factor **0,83 0,78 0,67 0,46**

Sound pressure level (1m) **51,4** dB(A)
 Resistance R20 (open) **3,263** Ω
 Resistance R20 **Y 6,527** Ω

Full load torque **5** Nm
 DOL Starting torque vs FL torque **3,09**
 DOL Pull up torque vs FL torque **1,91**
 DOL Pull out torque vs FL torque **3,46**
 Star-Delta Starting torque vs FL torque **Y - motor**
 Star-Delta Pull up torque vs FL torque **Y - motor**
 Star-Delta Pull out torque vs FL torque **Y - motor**
 DOL Starting current vs FL current **7,91**
 Star Delta Starting current vs FL current **Y - motor**
 Rotor Inertia kgm2

Bearing DE **6205 - ZZ**
 Bearing NDE **6205 - ZZ**

WI	Change	date	sign.
Dutchi Motors B.V.		Description	date
P.O. Box 5390		Drawing made by :	27-04-04
NL-6802 EJ ARNHEM			
Tel : +31-(0)26 - 3541 600		dutchi.motors@dutchi.nl	
Fax : +31-(0)26 - 3541 650		www.dutchi.com	