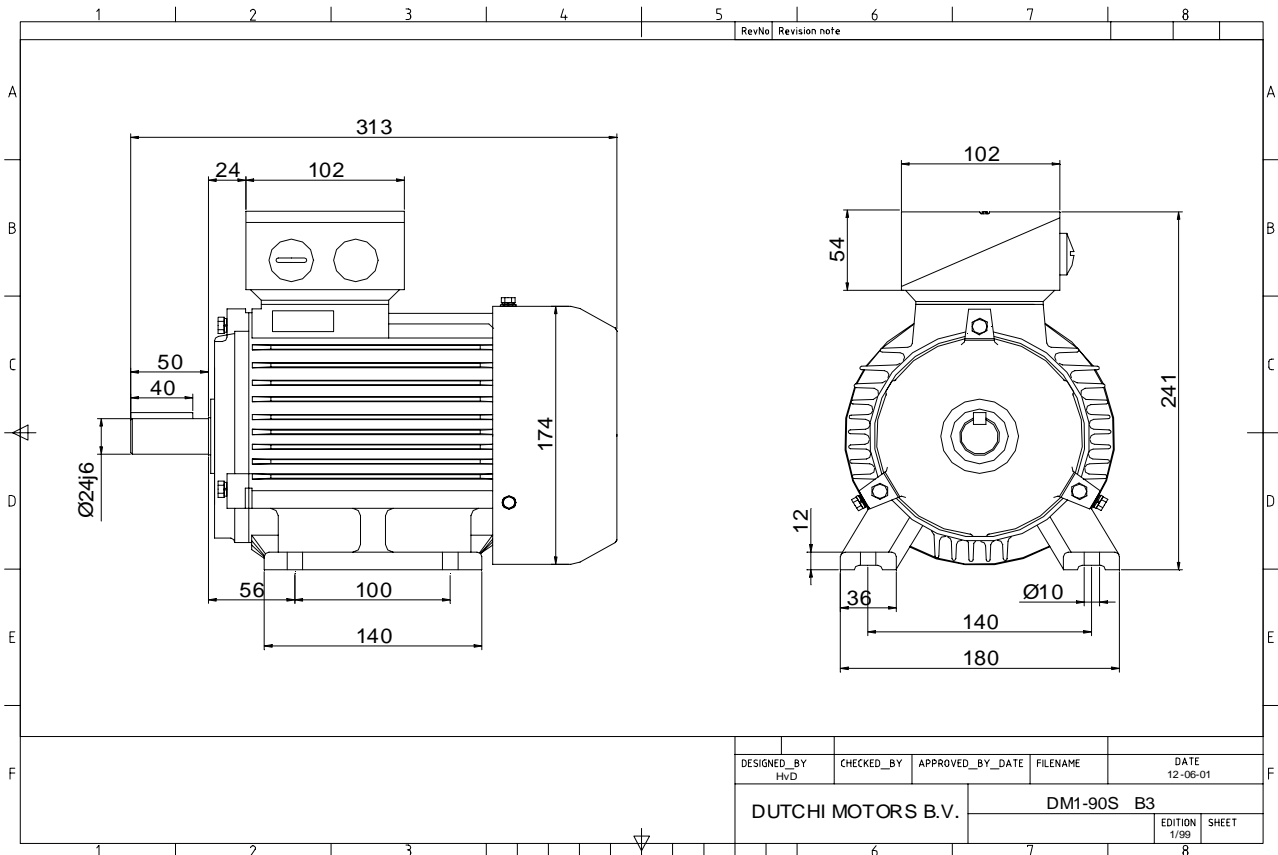


Power is our commodity, the world is our market !



Specification **IEC 60034-1**
 Manufacturer **Dutchi Motors B.V.**
 Motor type **DM1- 90 S2**
 Rated power **1,5** kW **S1** duty
 Speed **2840** r.p.m
 Voltage **230 / 400** V
 Frequency **50** Hz
 Connection **Δ / Y**
 Amps full load **5,54 / 3,20** A
 Amps no-load(400V) **1,60** A
 Enclosure **IP 55**
 Insulation Class **F (temp. rise B (80 K))**

Max. coolant temp. **40°C**
 Max. altitude **1.000** mtr, above sea level
 Comment **3 x PTC 150°C**
 Cable entries **2 x M25x1,5 + 1 x M16x1,5 (ptc)**

Feature **Cast-iron motor**
 Weight **22,0** kg
 Catalog no. **11122150D**
 Warranty **12~18 months**

Efficiency class **EFF 2**
 Load data 100% 75% 50% 25%
 Efficiency **79,3 78,9 76,4 65,6** %
 Power factor **0,85 0,79 0,71 0,51**

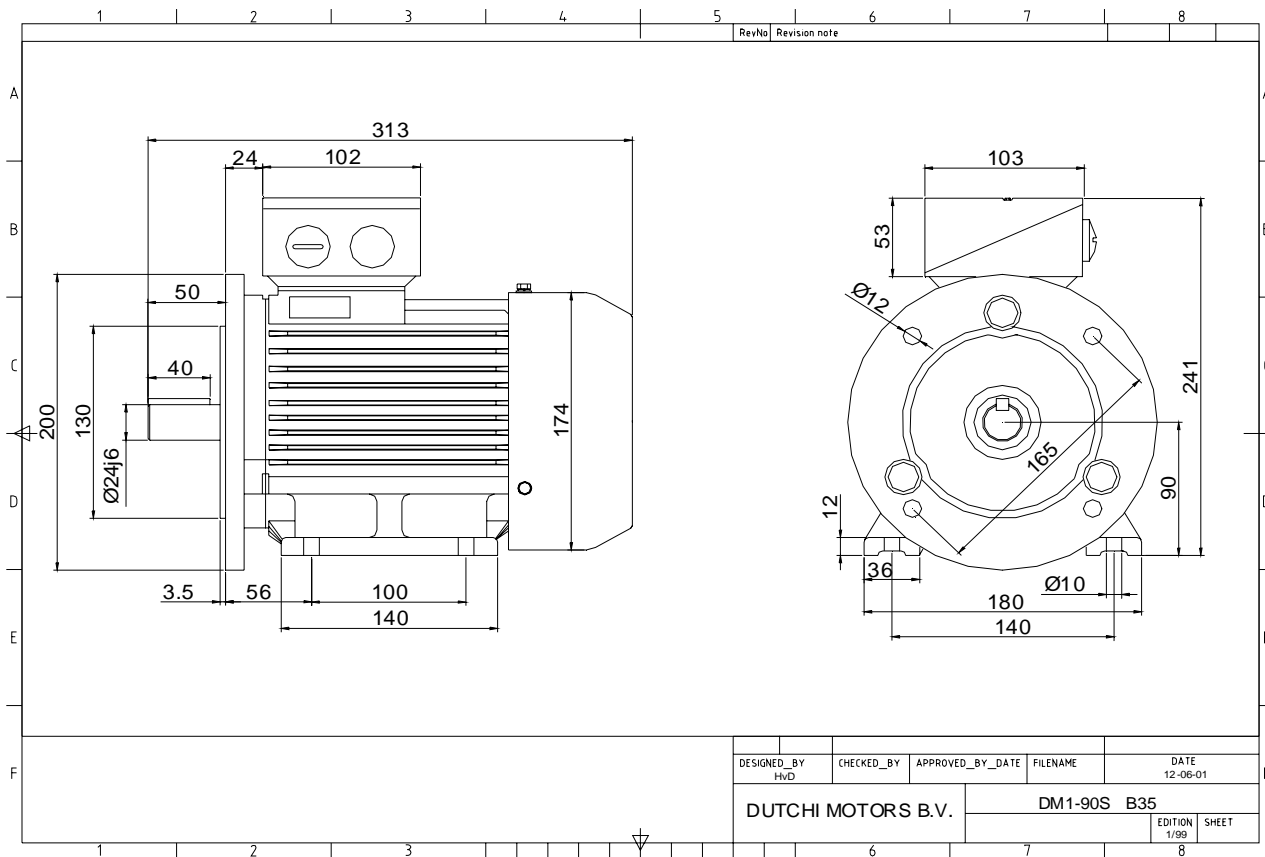
Sound pressure level (1m) **59,6** dB(A)
 Resistance R20 (open) **3,86** Ω
 Resistance R20 **Y 7,72** Ω

Full load torque **5,04** Nm
 DOL Starting torque vs FL torque **2,72**
 DOL Pull up torque vs FL torque **1,77**
 DOL Pull out torque vs FL torque **3,12**
 Star-Delta Starting torque vs FL torque **Y - motor**
 Star-Delta Pull up torque vs FL torque **Y - motor**
 Star-Delta Pull out torque vs FL torque **Y - motor**
 DOL Starting current vs FL current **6,47**
 Star Delta Starting current vs FL current **Y - motor**
 Rotor Inertia **0,0012** kgm2

Bearing DE **6205 - ZZ C3**
 Bearing NDE **6205 - ZZ C3**

WI	Change	date	sign.
Dutchi Motors B.V. P.O. Box 5390 NL-6802 EJ ARNHEM Tel : +31-(0)26 - 3541 600 Fax : +31-(0)26 - 3541 650		Description	date
		Drawing made by :	19-04-04
		dutchi.motors@dutchi.nl www.dutchi.com	

Power is our commodity, the world is our market !



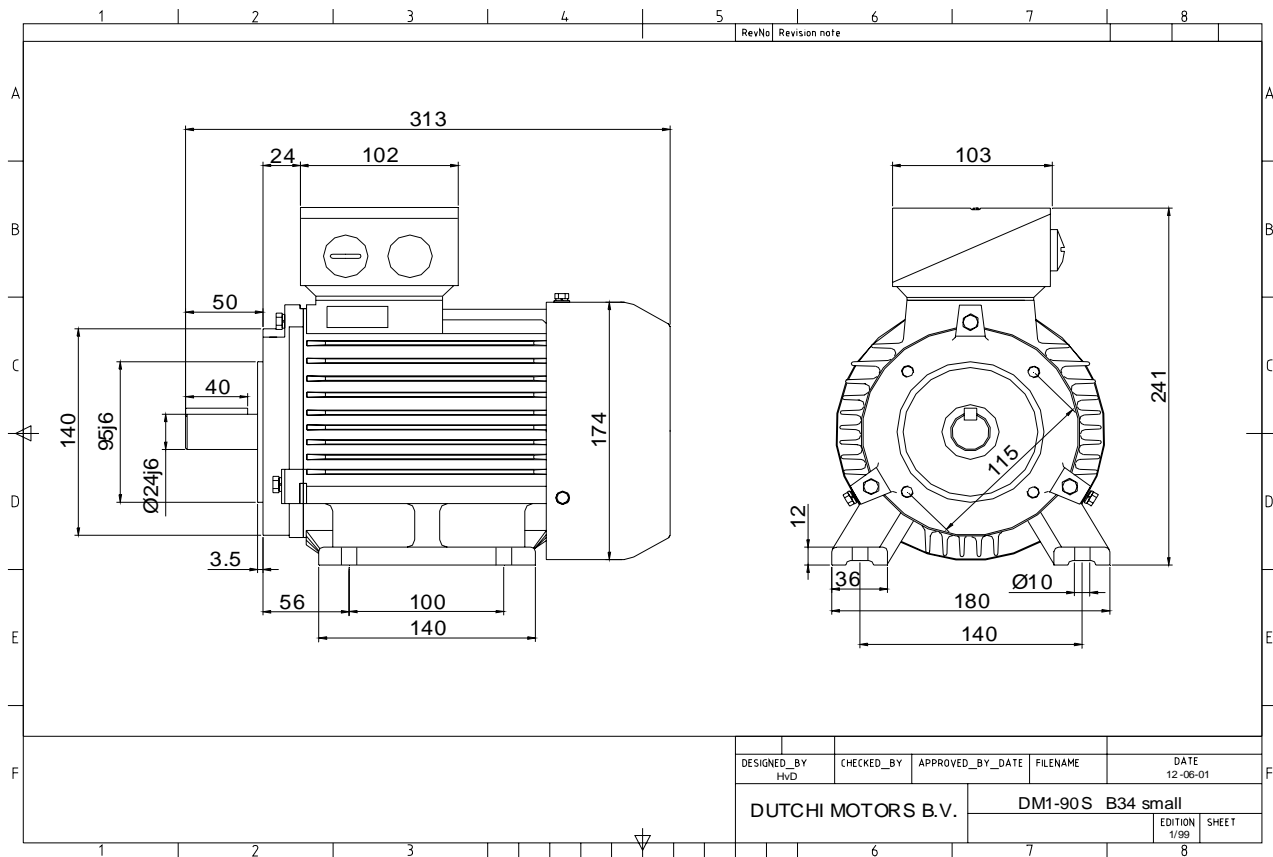
DESIGNED_BY HvD	CHECKED_BY	APPROVED_BY_DATE	FILENAME	DATE 12-06-01
DUTCHI MOTORS B.V.			DM1-90S B35	EDITION 1/99
				SHEET

Specification	IEC 60034-1
Manufacturer	Dutchi Motors B.V.
Motor type	DM1- 90 S2
Rated power	1,5 kW S1 duty
Speed	2840 r.p.m
Voltage	230 / 400 V
Frequency	50 Hz
Connection	Δ / Y
Amps full load	5,54 / 3,20 A
Amps no-load(400V)	1,60 A
Enclosure	IP 55
Insulation Class	F (temp. rise B (80 K))
Max. coolant temp.	40°C
Max. altitude	1.000 mtr, above sea level
Comment	3 x PTC 150°C
Cable entries	2 x M25x1,5 + 1 x M16x1,5 (ptc)
Feature	Cast-iron motor
Weight	22,0 kg
Catalog no.	11522150D
Warranty	12~18 months

Efficiency class	EFF 2
Load data	100% 75% 50% 25%
Efficiency	79,3 78,9 76,4 65,6 %
Power factor	0,85 0,79 0,71 0,51
Sound pressure level (1m)	59,6 dB(A)
Resistance R20 (open)	3,86 Ω
Resistance R20	Y 7,72 Ω
Full load torque	5,04 Nm
DOL Starting torque vs FL torque	2,72
DOL Pull up torque vs FL torque	1,77
DOL Pull out torque vs FL torque	3,12
Star-Delta Starting torque vs FL torque	Y - motor
Star-Delta Pull up torque vs FL torque	Y - motor
Star-Delta Pull out torque vs FL torque	Y - motor
DOL Starting current vs FL current	6,47
Star Delta Starting current vs FL current	Y - motor
Rotor Inertia	0,0012 kgm ²
Bearing DE	6205 - ZZ C3
Bearing NDE	6205 - ZZ C3

WI	Change	date	sign.
Dutchi Motors B.V. P.O. Box 5390 NL-6802 EJ ARNHEM Tel : +31-(0)26 - 3541 600 Fax : +31-(0)26 - 3541 650		Discription Drawing made by :	date 19-04-04 sign. HvD
dutchi.motors@dutchi.nl www.dutchi.com			

Power is our commodity, the world is our market !



Specification **IEC 60034-1**
 Manufacturer **Dutchi Motors B.V.**
 Motor type **DM1- 90 S2**
 Rated power **1,5** kW **S1** duty
 Speed **2840** r.p.m
 Voltage **230 / 400** V
 Frequency **50** Hz
 Connection **Δ / Y**
 Amps full load **5,54 / 3,20** A
 Amps no-load(400V) **1,60** A
 Enclosure **IP 55**
 Insulation Class **F (temp. rise B (80 K))**

Max. coolant temp. **40°C**
 Max. altitude **1.000** mtr, above sea level
 Comment **3 x PTC 150°C**
 Cable entries **2 x M25x1,5 + 1 x M16x1,5 (ptc)**

Feature **Cast-iron motor**
 Weight **22,0** kg
 Catalog no. **11622150D**
 Warranty **12~18 months**

Efficiency class **EFF 2**
 Load data 100% 75% 50% 25%
 Efficiency **79,3 78,9 76,4 65,6** %
 Power factor **0,85 0,79 0,71 0,51**

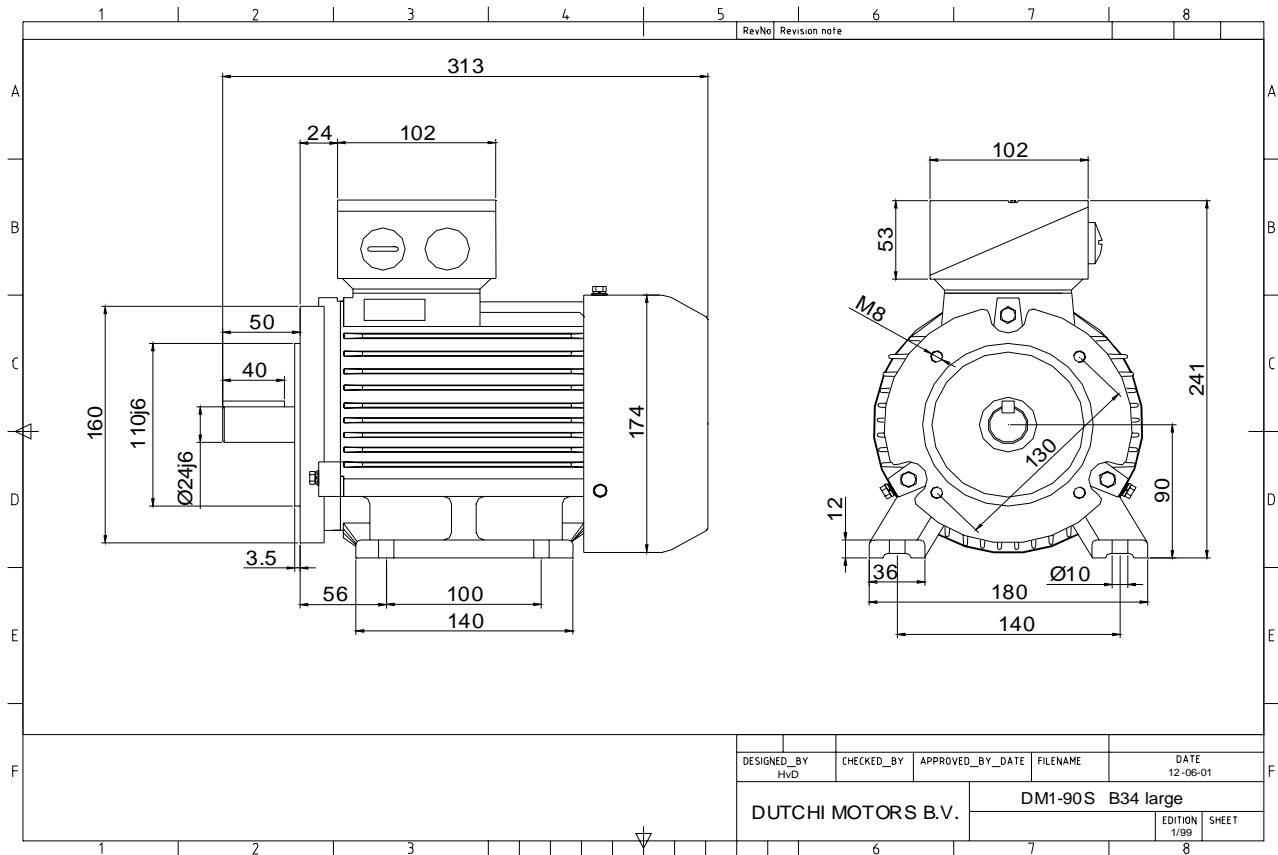
Sound pressure level (1m) **59,6** dB(A)
 Resistance R20 (open) **3,86** Ω
 Resistance R20 **Y 7,72** Ω

Full load torque **5,04** Nm
 DOL Starting torque vs FL torque **2,72**
 DOL Pull up torque vs FL torque **1,77**
 DOL Pull out torque vs FL torque **3,12**
 Star-Delta Starting torque vs FL torque **Y - motor**
 Star-Delta Pull up torque vs FL torque **Y - motor**
 Star-Delta Pull out torque vs FL torque **Y - motor**
 DOL Starting current vs FL current **6,47**
 Star Delta Starting current vs FL current **Y - motor**
 Rotor Inertia **0,0012** kgm²

Bearing DE **6205 - ZZ C3**
 Bearing NDE **6205 - ZZ C3**

WI	Change	date	sign.
Dutchi Motors B.V. P.O. Box 5390 NL-6802 EJ ARNHEM Tel : +31-(0)26 - 3541 600 Fax : +31-(0)26 - 3541 650		Description	date
		Drawing made by :	19-04-04
		dutchi.motors@dutchi.nl www.dutchi.com	

Power is our commodity, the world is our market !



Specification **IEC 60034-1**
 Manufacturer **Dutchi Motors B.V.**
 Motor type **DM1- 90 S2**
 Rated power **1,5** kW **S1** duty
 Speed **2840** r.p.m
 Voltage **230 / 400** V
 Frequency **50** Hz
 Connection **Δ / Y**
 Amps full load **5,54 / 3,20** A
 Amps no-load(400V) **1,60** A
 Enclosure **IP 55**
 Insulation Class **F (temp. rise B (80 K))**

Max. coolant temp. **40°C**
 Max. altitude **1.000** mtr, above sea level
 Comment **3 x PTC 150°C**
 Cable entries **2 x M25x1,5 + 1 x M16x1,5 (ptc)**

Feature **Cast-iron motor**
 Weight **22,0** kg
 Catalog no. **11722150D**
 Warranty **12~18 months**

Efficiency class **EFF 2**
 Load data 100% 75% 50% 25%
 Efficiency **79,3 78,9 76,4 65,6** %
 Power factor **0,85 0,79 0,71 0,51**

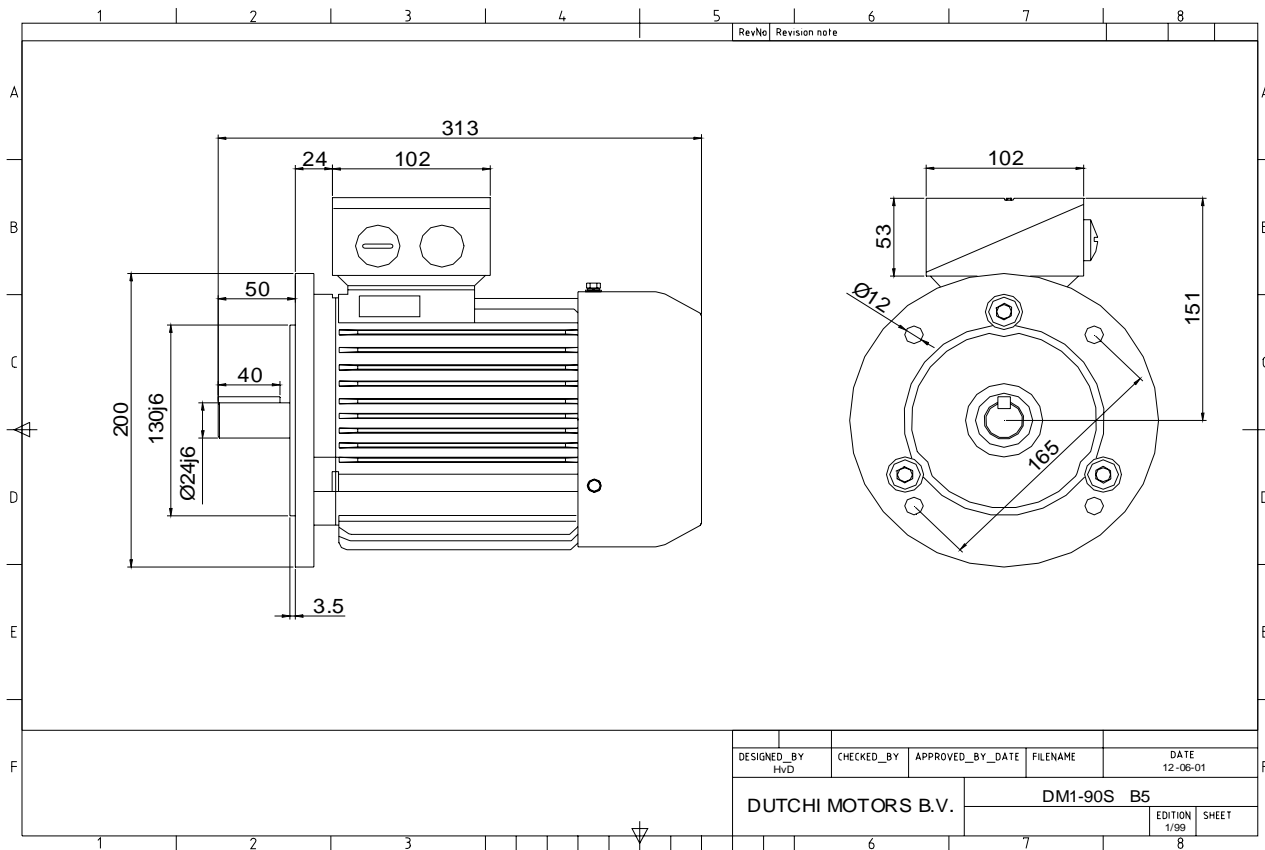
Sound pressure level (1m) **59,6** dB(A)
 Resistance R20 (open) **3,86** Ω
 Resistance R20 **Y 7,72** Ω

Full load torque **5,04** Nm
 DOL Starting torque vs FL torque **2,72**
 DOL Pull up torque vs FL torque **1,77**
 DOL Pull out torque vs FL torque **3,12**
 Star-Delta Starting torque vs FL torque **Y - motor**
 Star-Delta Pull up torque vs FL torque **Y - motor**
 Star-Delta Pull out torque vs FL torque **Y - motor**
 DOL Starting current vs FL current **6,47**
 Star Delta Starting current vs FL current **Y - motor**
 Rotor Inertia **0,0012** kgm2

Bearing DE **6205 - ZZ C3**
 Bearing NDE **6205 - ZZ C3**

WI	Change	date	sign.
Dutchi Motors B.V. P.O. Box 5390 NL-6802 EJ ARNHEM Tel : +31-(0)26 - 3541 600 Fax : +31-(0)26 - 3541 650		Description	date
		Drawing made by :	19-04-04
		dutchi.motors@dutchi.nl www.dutchi.com	

Power is our commodity, the world is our market !



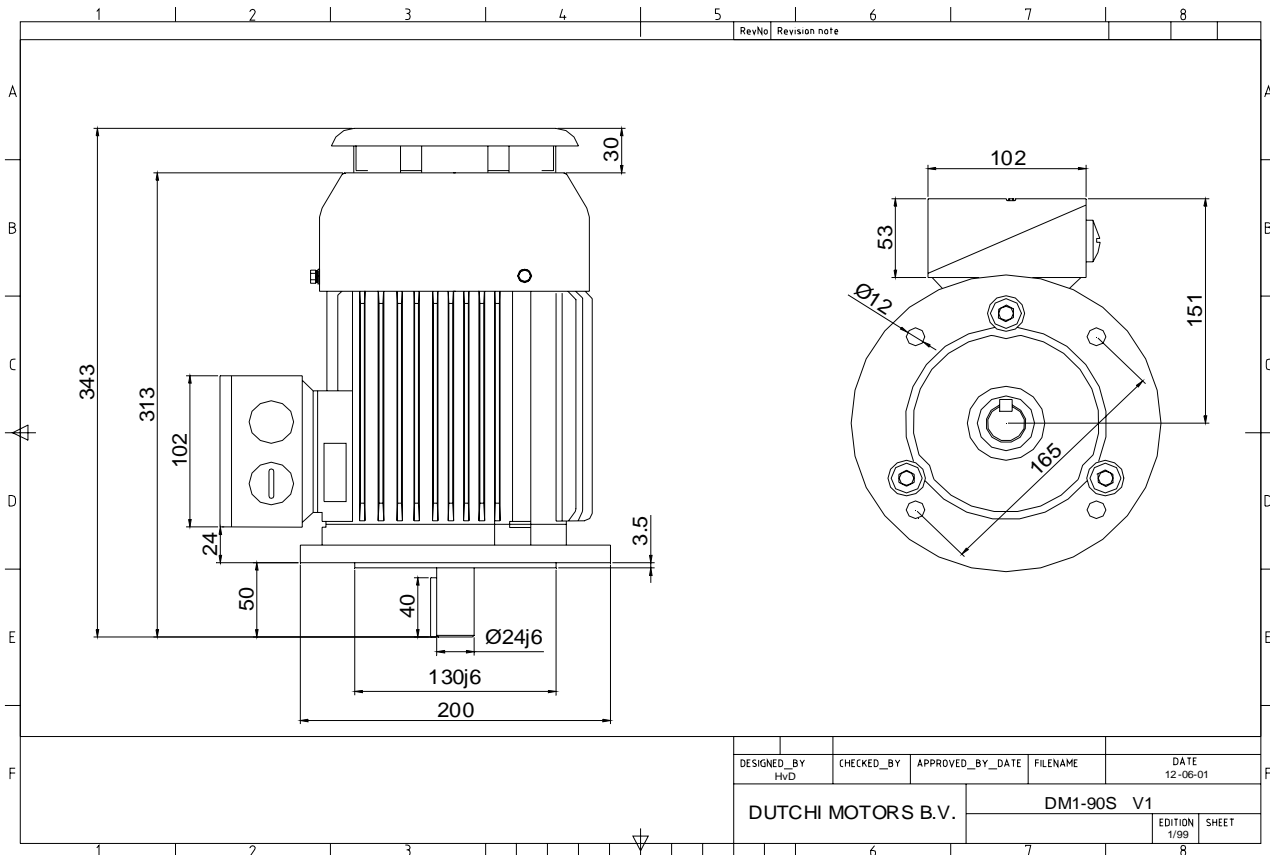
DESIGNED_BY HvD	CHECKED_BY	APPROVED_BY_DATE	FILENAME	DATE 12-06-01
DUTCHI MOTORS B.V.		DM1-90S B5		EDITION 1/99
				SHEET

Specification	IEC 60034-1
Manufacturer	Dutchi Motors B.V.
Motor type	DM1- 90 S2
Rated power	1,5 kW S1 duty
Speed	2840 r.p.m
Voltage	230 / 400 V
Frequency	50 Hz
Connection	Δ / Y
Amps full load	5,54 / 3,20 A
Amps no-load(400V)	1,60 A
Enclosure	IP 55
Insulation Class	F (temp. rise B (80 K))
Max. coolant temp.	40°C
Max. altitude	1.000 mtr, above sea level
Comment	3 x PTC 150°C
Cable entries	2 x M25x1,5 + 1 x M16x1,5 (ptc)
Feature	Cast-iron motor
Weight	22,0 kg
Catalog no.	11222150D
Warranty	12~18 months

Efficiency class	EFF 2			
Load data	100%	75%	50%	25%
Efficiency	79,3	78,9	76,4	65,6 %
Power factor	0,85	0,79	0,71	0,51
Sound pressure level (1m)				59,6 dB(A)
Resistance R20 (open)				3,86 Ω
Resistance R20	Y		7,72	Ω
Full load torque				5,04 Nm
DOL Starting torque vs FL torque				2,72
DOL Pull up torque vs FL torque				1,77
DOL Pull out torque vs FL torque				3,12
Star-Delta Starting torque vs FL torque				Y - motor
Star-Delta Pull up torque vs FL torque				Y - motor
Star-Delta Pull out torque vs FL torque				Y - motor
DOL Starting current vs FL current				6,47
Star Delta Starting current vs FL current				Y - motor
Rotor Inertia				0,0012 kgm ²
Bearing DE				6205 - ZZ C3
Bearing NDE				6205 - ZZ C3

WI	Change	date	sign.
Dutchi Motors B.V.		Description	date
P.O. Box 5390		Drawing made by :	19-04-04
NL-6802 EJ ARNHEM			
Tel : +31-(0)26 - 3541 600		dutchi.motors@dutchi.nl	
Fax : +31-(0)26 - 3541 650		www.dutchi.com	

Power is our commodity, the world is our market !



Specification **IEC 60034-1**
 Manufacturer **Dutchi Motors B.V.**
 Motor type **DM1- 90 S2**
 Rated power **1,5** kW **S1** duty
 Speed **2840** r.p.m
 Voltage **230 / 400** V
 Frequency **50** Hz
 Connection **Δ / Y**
 Amps full load **5,54 / 3,20** A
 Amps no-load(400V) **1,60** A
 Enclosure **IP 55**
 Insulation Class **F (temp. rise B (80 K))**

Max. coolant temp. **40°C**
 Max. altitude **1.000** mtr, above sea level
 Comment **3 x PTC 150°C**
 Cable entries **2 x M25x1,5 + 1 x M16x1,5 (ptc)**

Feature **Cast-iron motor**
 Weight **22,0** kg
 Catalog no. **11022150D**
 Warranty **12~18 months**

Efficiency class **EFF 2**
 Load data 100% 75% 50% 25%
 Efficiency **79,3 78,9 76,4 65,6** %
 Power factor **0,85 0,79 0,71 0,51**

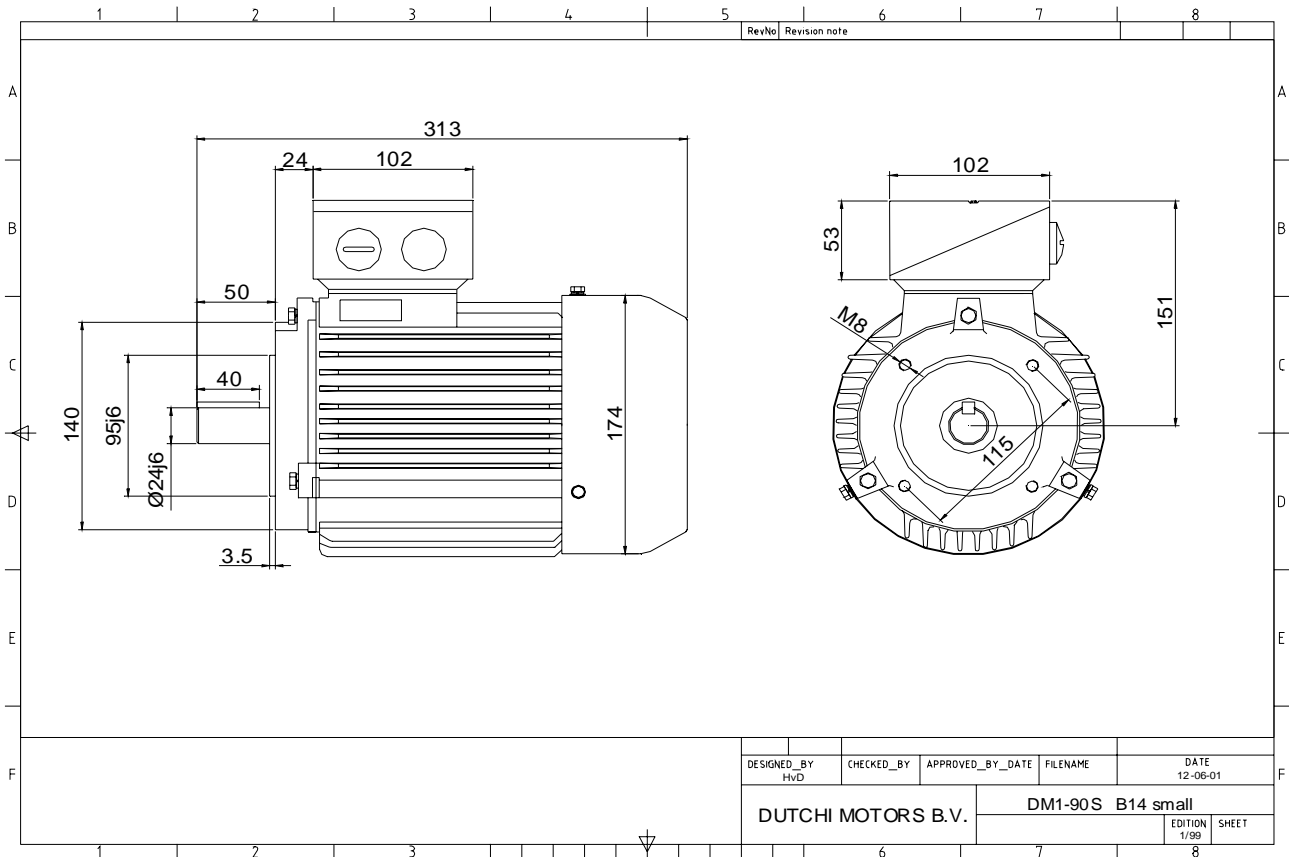
Sound pressure level (1m) **59,6** dB(A)
 Resistance R20 (open) **3,86** Ω
 Resistance R20 **Y 7,72** Ω

Full load torque **5,04** Nm
 DOL Starting torque vs FL torque **2,72**
 DOL Pull up torque vs FL torque **1,77**
 DOL Pull out torque vs FL torque **3,12**
 Star-Delta Starting torque vs FL torque **Y - motor**
 Star-Delta Pull up torque vs FL torque **Y - motor**
 Star-Delta Pull out torque vs FL torque **Y - motor**
 DOL Starting current vs FL current **6,47**
 Star Delta Starting current vs FL current **Y - motor**
 Rotor Inertia **0,0012** kgm2

Bearing DE **6205 - ZZ C3**
 Bearing NDE **6205 - ZZ C3**

WI	Change	date	sign.
Dutchi Motors B.V.		Description	date
P.O. Box 5390		Drawing made by :	19-04-04
NL-6802 EJ ARNHEM			
Tel : +31-(0)26 - 3541 600		dutchi.motors@dutchi.nl	
Fax : +31-(0)26 - 3541 650		www.dutchi.com	

Power is our commodity, the world is our market !



Specification **IEC 60034-1**
 Manufacturer **Dutchi Motors B.V.**
 Motor type **DM1- 90 S2**
 Rated power **1,5** kW **S1** duty
 Speed **2840** r.p.m
 Voltage **230 / 400** V
 Frequency **50** Hz
 Connection **Δ / Y**
 Amps full load **5,54 / 3,20** A
 Amps no-load(400V) **1,60** A
 Enclosure **IP 55**
 Insulation Class **F (temp. rise B (80 K))**

Max. coolant temp. **40°C**
 Max. altitude **1.000** mtr, above sea level
 Comment **3 x PTC 150°C**
 Cable entries **2 x M25x1,5 + 1 x M16x1,5 (ptc)**

Feature **Cast-iron motor**
 Weight **22,0** kg
 Catalog no. **11322150D**
 Warranty **12~18 months**

Efficiency class **EFF 2**
 Load data 100% 75% 50% 25%
 Efficiency **79,3 78,9 76,4 65,6** %
 Power factor **0,85 0,79 0,71 0,51**

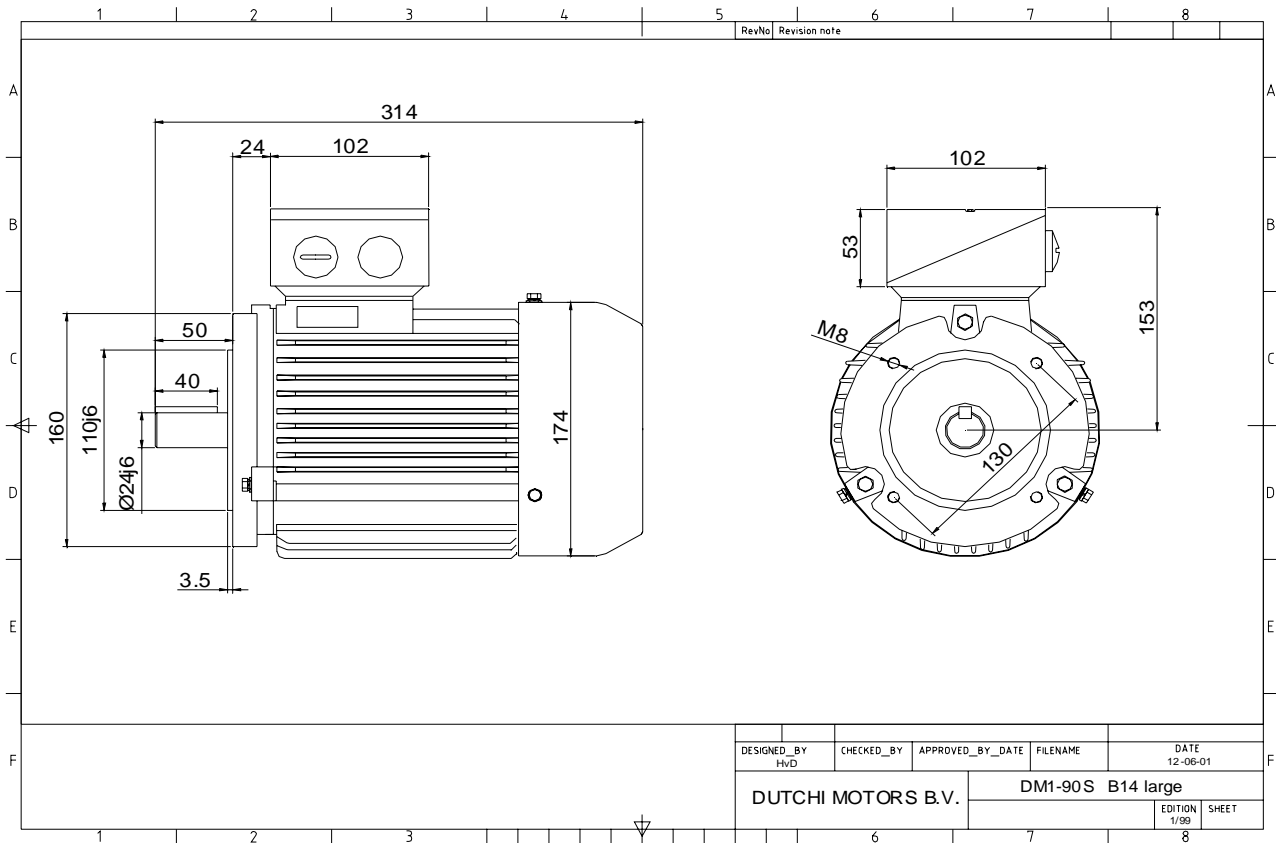
Sound pressure level (1m) **59,6** dB(A)
 Resistance R20 (open) **3,86** Ω
 Resistance R20 **Y 7,72** Ω

Full load torque **5,04** Nm
 DOL Starting torque vs FL torque **2,72**
 DOL Pull up torque vs FL torque **1,77**
 DOL Pull out torque vs FL torque **3,12**
 Star-Delta Starting torque vs FL torque **Y - motor**
 Star-Delta Pull up torque vs FL torque **Y - motor**
 Star-Delta Pull out torque vs FL torque **Y - motor**
 DOL Starting current vs FL current **6,47**
 Star Delta Starting current vs FL current **Y - motor**
 Rotor Inertia **0,0012** kgm2

Bearing DE **6205 - ZZ C3**
 Bearing NDE **6205 - ZZ C3**

WI	Change	date	sign.
Dutchi Motors B.V.		Description	date
P.O. Box 5390		Drawing made by :	19-04-04
NL-6802 EJ ARNHEM			
Tel : +31-(0)26 - 3541 600		dutchi.motors@dutchi.nl	
Fax : +31-(0)26 - 3541 650		www.dutchi.com	

Power is our commodity, the world is our market !



Specification **IEC 60034-1**
 Manufacturer **Dutchi Motors B.V.**
 Motor type **DM1- 90 S2**
 Rated power **1,5** kW **S1** duty
 Speed **2840** r.p.m
 Voltage **230 / 400** V
 Frequency **50** Hz
 Connection **Δ / Y**
 Amps full load **5,54 / 3,20** A
 Amps no-load(400V) **1,60** A
 Enclosure **IP 55**
 Insulation Class **F (temp. rise B (80 K))**

Max. coolant temp. **40°C**
 Max. altitude **1.000** mtr, above sea level
 Comment **3 x PTC 150°C**
 Cable entries **2 x M25x1,5 + 1 x M16x1,5 (ptc)**

Feature **Cast-iron motor**
 Weight **22,0** kg
 Catalog no. **11422150D**
 Warranty **12~18 months**

Efficiency class **EFF 2**
 Load data 100% 75% 50% 25%
 Efficiency **79,3 78,9 76,4 65,6** %
 Power factor **0,85 0,79 0,71 0,51**

Sound pressure level (1m) **59,6** dB(A)
 Resistance R20 (open) **3,86** Ω
 Resistance R20 **Y 7,72** Ω

Full load torque **5,04** Nm
 DOL Starting torque vs FL torque **2,72**
 DOL Pull up torque vs FL torque **1,77**
 DOL Pull out torque vs FL torque **3,12**
 Star-Delta Starting torque vs FL torque **Y - motor**
 Star-Delta Pull up torque vs FL torque **Y - motor**
 Star-Delta Pull out torque vs FL torque **Y - motor**
 DOL Starting current vs FL current **6,47**
 Star Delta Starting current vs FL current **Y - motor**
 Rotor Inertia **0,0012** kgm2

Bearing DE **6205 - ZZ C3**
 Bearing NDE **6205 - ZZ C3**

WI	Change	date	sign.
Dutchi Motors B.V. P.O. Box 5390 NL-6802 EJ ARNHEM Tel : +31-(0)26 - 3541 600 Fax : +31-(0)26 - 3541 650		Discription Drawing made by : 19-04-04	date sign. HvD
dutchi.motors@dutchi.nl www.dutchi.com			