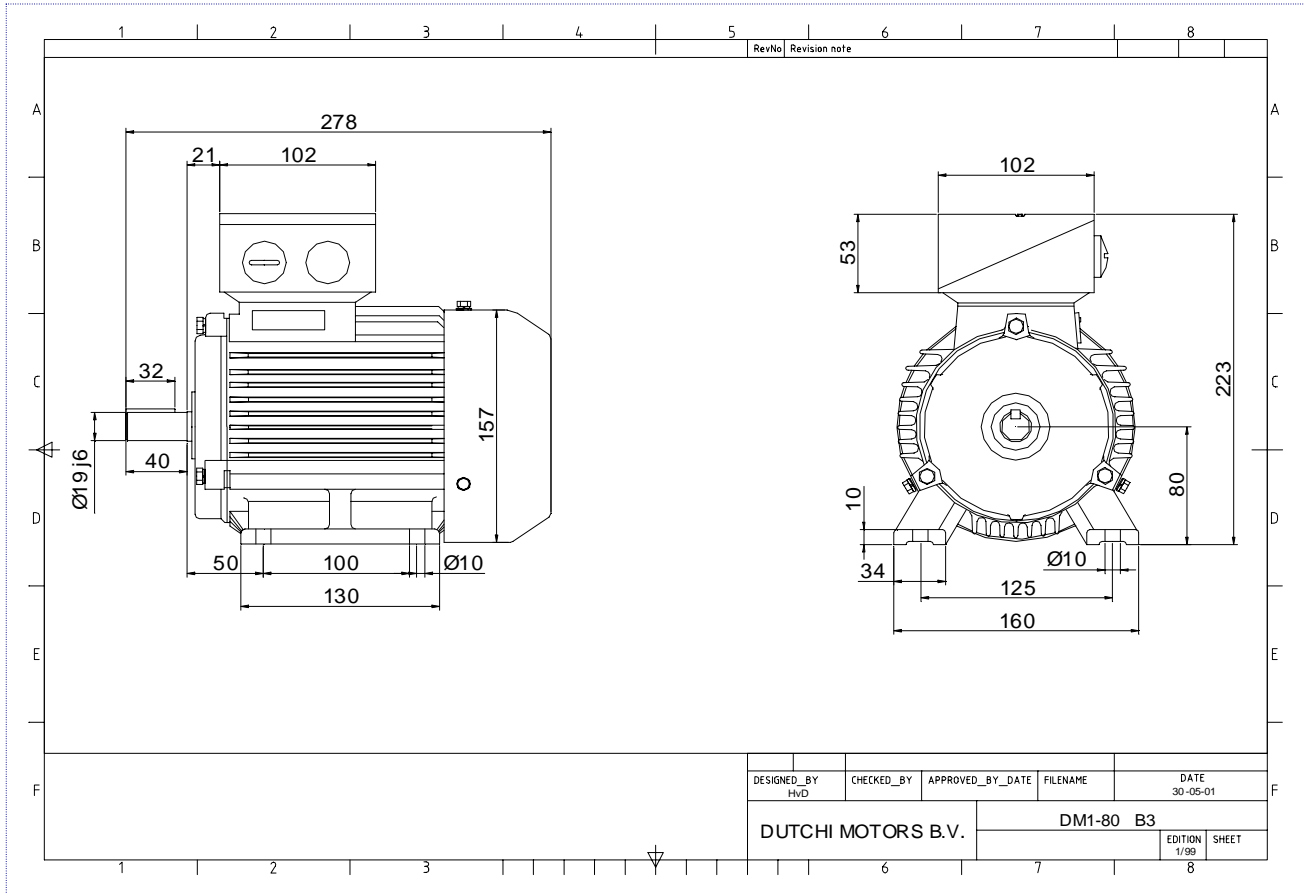


Power is our commodity, the world is our market !



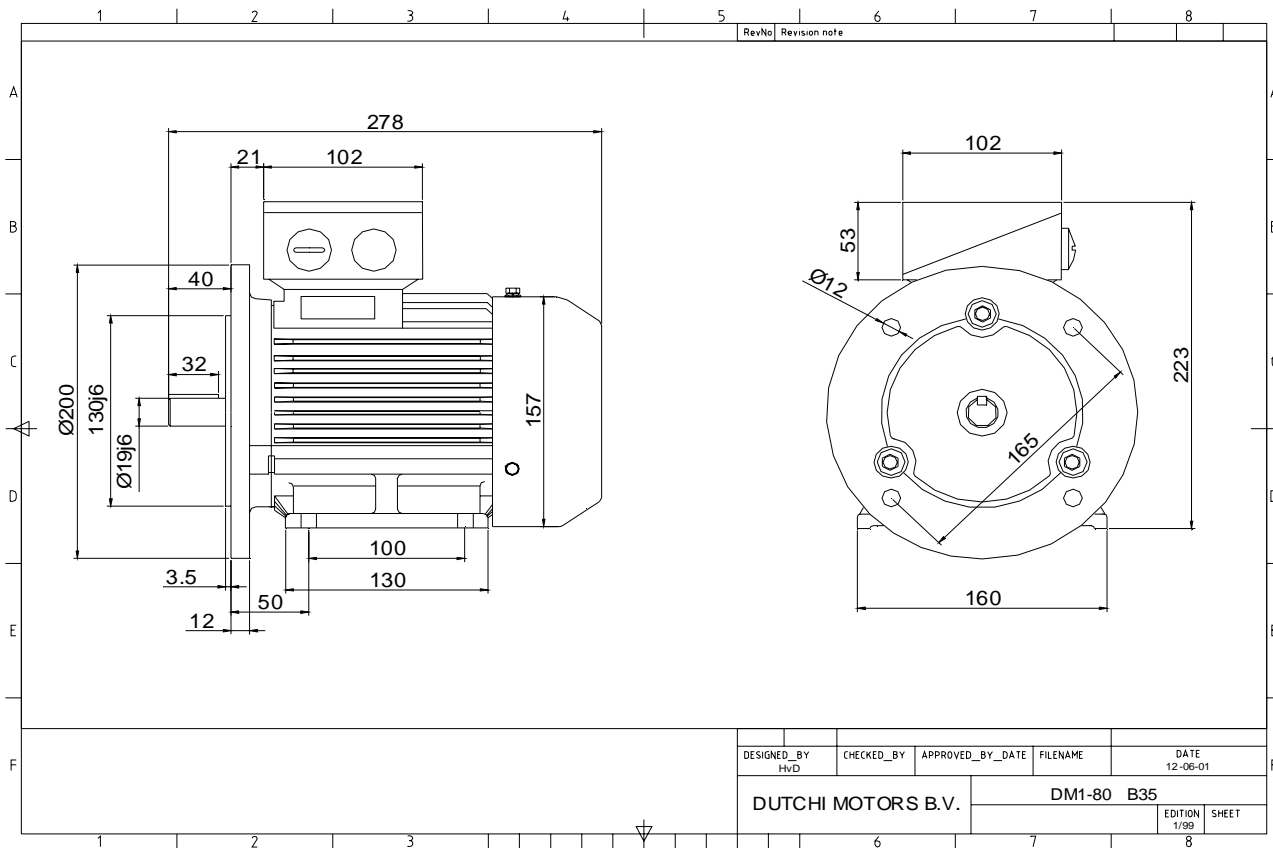
Specification	IEC 60034-1
Manufacturer	Dutchi Motors B.V.
Motor type	DM1- 80 K2
Rated power	0,75 kW S1 duty
Speed	2825 r.p.m
Voltage	230 / 400 V
Frequency	50 Hz
Connection	Δ / Y
Amps full load	3,13 / 1,81 A
Amps no-load(400V)	1,10 A
Enclosure	IP 55
Insulation Class	F (temp. rise B (80 K))
Max. coolant temp.	40°C
Max. altitude	1.000 mtr, above sea level
Comment	3 x PTC 150°C
Cable entries	2 x M25x1,5 + 1 x M20x1,5 (ptc)
Feature	Cast-iron motor
Weight	16,0 kg
Catalog no.	11122075D
Warranty	12~18 months

Efficiency class	N/A			
Load data	100%	75%	50%	25%
Efficiency	75,7	74,4	67,7	56,1 %
Power factor	0,79	0,73	0,56	0,41
Sound pressure level (1m)				66,6 dB(A)
Resistance R20 (open)				8,19 Ω
Resistance R20	Y		16,38 Ω	
Full load torque				2,54 Nm
DOL Starting torque vs FL torque				2,43
DOL Pull up torque vs FL torque				1,88
DOL Pull out torque vs FL torque				3,57
Star-Delta Starting torque vs FL torque				Y - motor
Star-Delta Pull up torque vs FL torque				Y - motor
Star-Delta Pull out torque vs FL torque				Y - motor
DOL Starting current vs FL current				6,67
Star Delta Starting current vs FL current				Y - motor
Rotor Inertia				0,0008 kgm ²
Bearing DE				6204 - ZZ
Bearing NDE				6204 - ZZ

Extras / Options :

WI	Change	date	sign.
Dutchi Motors B.V. P.O. Box 5390 NL-6802 EJ ARNHEM Tel : +31-(0)26 - 3541 600 Fax : +31-(0)26 - 3541 650		Discription	date
		Drawing made by :	19-04-04
		dutchi.motors@dutchi.nl www.dutchi.com	

Power is our commodity, the world is our market !



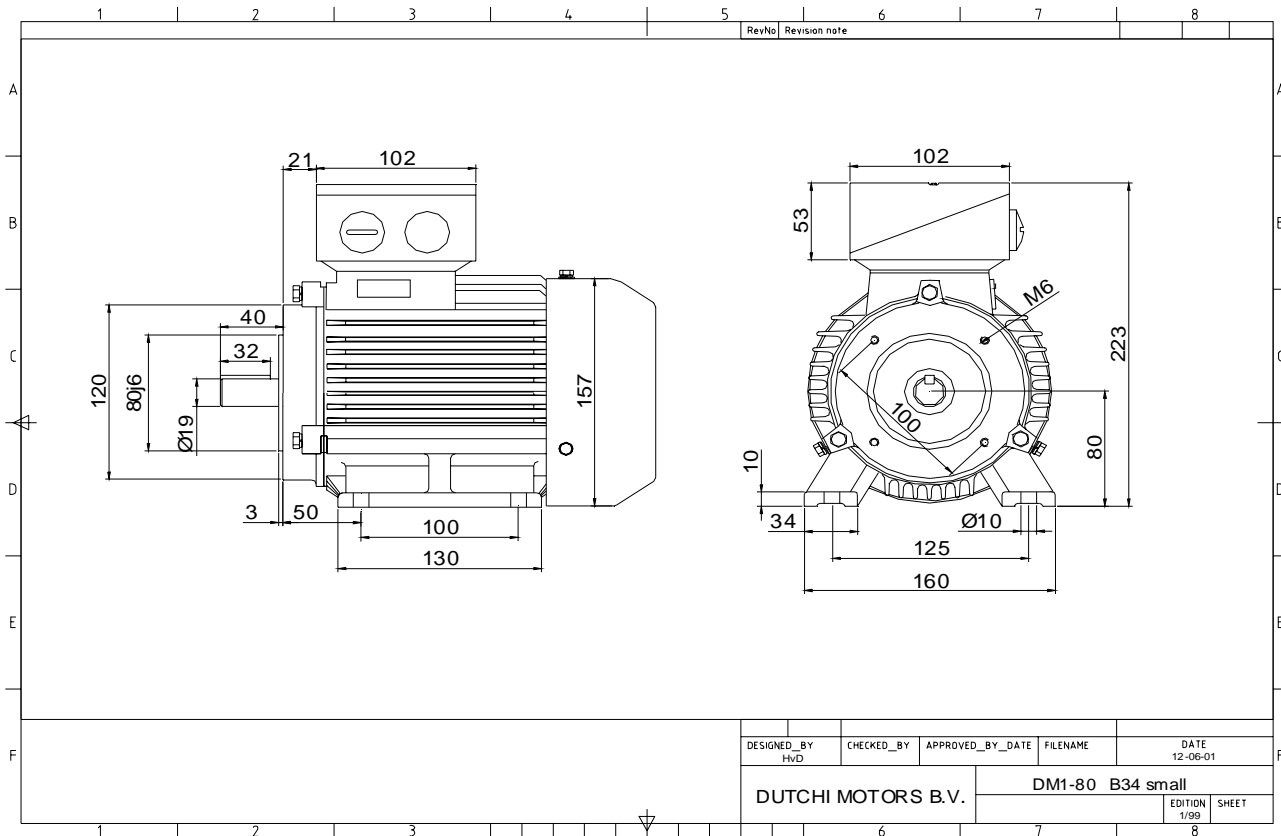
Specification	IEC 60034-1
Manufacturer	Dutchi Motors B.V.
Motor type	DM1- 80 K2
Rated power	0,75 kW S1 duty
Speed	2825 r.p.m
Voltage	230 / 400 V
Frequency	50 Hz
Connection	Δ / Y
Amps full load	3,13 / 1,81 A
Amps no-load(400V)	1,10 A
Enclosure	IP 55
Insulation Class	F (temp. rise B (80 K))
Max. coolant temp.	40°C
Max. altitude	1.000 mtr, above sea level
Comment	3 x PTC 150°C
Cable entries	2 x M25x1,5 + 1 x M20x1,5 (ptc)
Feature	Cast-iron motor
Weight	16,0 kg
Catalog no.	11522075D
Warranty	12~18 months

Efficiency class	N/A			
Load data	100%	75%	50%	25%
Efficiency	75,7	74,4	67,7	56,1 %
Power factor	0,79	0,73	0,56	0,41
Sound pressure level (1m)				66,6 dB(A)
Resistance R20 (open)				8,19 Ω
Resistance R20	Y		16,38 Ω	
Full load torque				2,54 Nm
DOL Starting torque vs FL torque				2,43
DOL Pull up torque vs FL torque				1,88
DOL Pull out torque vs FL torque				3,57
Star-Delta Starting torque vs FL torque				Y - motor
Star-Delta Pull up torque vs FL torque				Y - motor
Star-Delta Pull out torque vs FL torque				Y - motor
DOL Starting current vs FL current				6,67
Star Delta Starting current vs FL current				Y - motor
Rotor Inertia				0,0008 kgm2
Bearing DE				6204 - ZZ
Bearing NDE				6204 - ZZ

Extras / Options :

WI	Change	date	sign.
Dutchi Motors B.V. P.O. Box 5390 NL-6802 EJ ARNHEM Tel : +31-(0)26 - 3541 600 Fax : +31-(0)26 - 3541 650		Description	date
		Drawing made by :	19-04-04
		dutchi.motors@dutchi.nl www.dutchi.com	

Power is our commodity, the world is our market !



DESIGNED_BY HvD	CHECKED_BY	APPROVED_BY_DATE	FILENAME	DATE 12-06-01
DUTCHI MOTORS B.V.			DM1-80 B34 small	EDITION 1/99
				SHEET

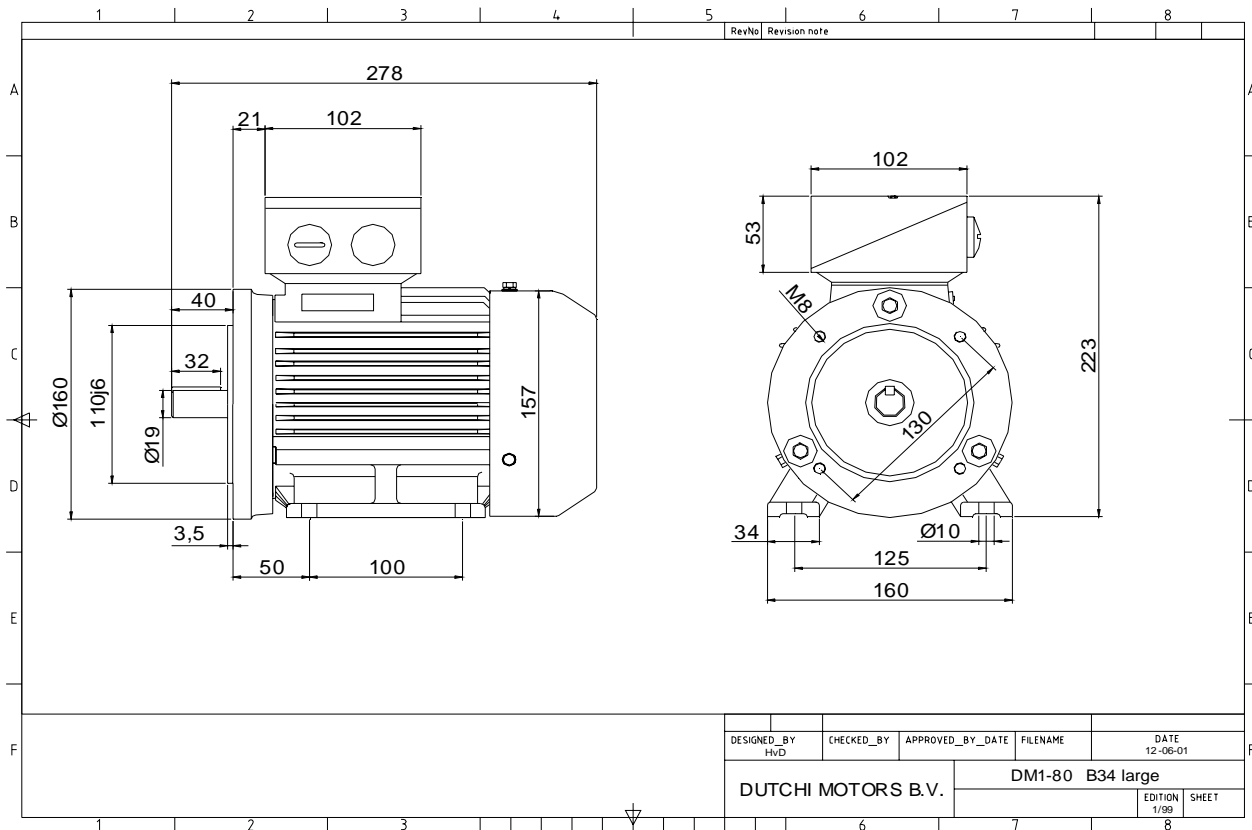
Specification	IEC 60034-1
Manufacturer	Dutchi Motors B.V.
Motor type	DM1- 80 K2
Rated power	0,75 kW S1 duty
Speed	2825 r.p.m
Voltage	230 / 400 V
Frequency	50 Hz
Connection	Δ / Y
Amps full load	3,13 / 1,81 A
Amps no-load(400V)	1,10 A
Enclosure	IP 55
Insulation Class	F (temp. rise B (80 K))
Max. coolant temp.	40°C
Max. altitude	1.000 mtr, above sea level
Comment	3 x PTC 150°C
Cable entries	2 x M25x1,5 + 1 x M20x1,5 (ptc)
Feature	Cast-iron motor
Weight	16,0 kg
Catalog no.	11622075D
Warranty	12~18 months

Efficiency class	N/A			
Load data	100%	75%	50%	25%
Efficiency	75,7	74,4	67,7	56,1 %
Power factor	0,79	0,73	0,56	0,41
Sound pressure level (1m)				66,6 dB(A)
Resistance R20 (open)				8,19 Ω
Resistance R20	Y		16,38 Ω	
Full load torque				2,54 Nm
DOL Starting torque vs FL torque				2,43
DOL Pull up torque vs FL torque				1,88
DOL Pull out torque vs FL torque				3,57
Star-Delta Starting torque vs FL torque				Y - motor
Star-Delta Pull up torque vs FL torque				Y - motor
Star-Delta Pull out torque vs FL torque				Y - motor
DOL Starting current vs FL current				6,67
Star Delta Starting current vs FL current				Y - motor
Rotor Inertia				0,0008 kgm ²
Bearing DE				6204 - ZZ
Bearing NDE				6204 - ZZ

Extras / Options :

WI	Change	date	sign.
Dutchi Motors B.V. P.O. Box 5390 NL-6802 EJ ARNHEM Tel : +31-(0)26 - 3541 600 Fax : +31-(0)26 - 3541 650		Discription Drawing made by :	date 19-04-04 sign. HvD
		dutchi.motors@dutchi.nl www.dutchi.com	

Power is our commodity, the world is our market !



Specification **IEC 60034-1**
 Manufacturer **Dutchi Motors B.V.**
 Motor type **DM1- 80 K2**
 Rated power **0,75** kW **S1** duty
 Speed **2825** r.p.m
 Voltage **230** / **400** V
 Frequency **50** Hz
 Connection **Δ** / **Y**
 Amps full load **3,13** / **1,81** A
 Amps no-load(400V) **1,10** A
 Enclosure **IP 55**
 Insulation Class **F (temp. rise B (80 K))**

Max. coolant temp. **40°C**
 Max. altitude **1.000** mtr, above sea level
 Comment **3 x PTC 150°C**
 Cable entries **2 x M25x1,5 + 1 x M20x1,5 (ptc)**

Feature **Cast-iron motor**
 Weight **16,0** kg
 Catalog no. **11722075D**
 Warranty **12~18 months**

Efficiency class **N/A**
 Load data 100% 75% 50% 25%
 Efficiency **75,7 74,4 67,7 56,1** %
 Power factor **0,79 0,73 0,56 0,41**

Sound pressure level (1m) **66,6** dB(A)
 Resistance R20 (open) **8,19** Ω
 Resistance R20 **Y 16,38** Ω

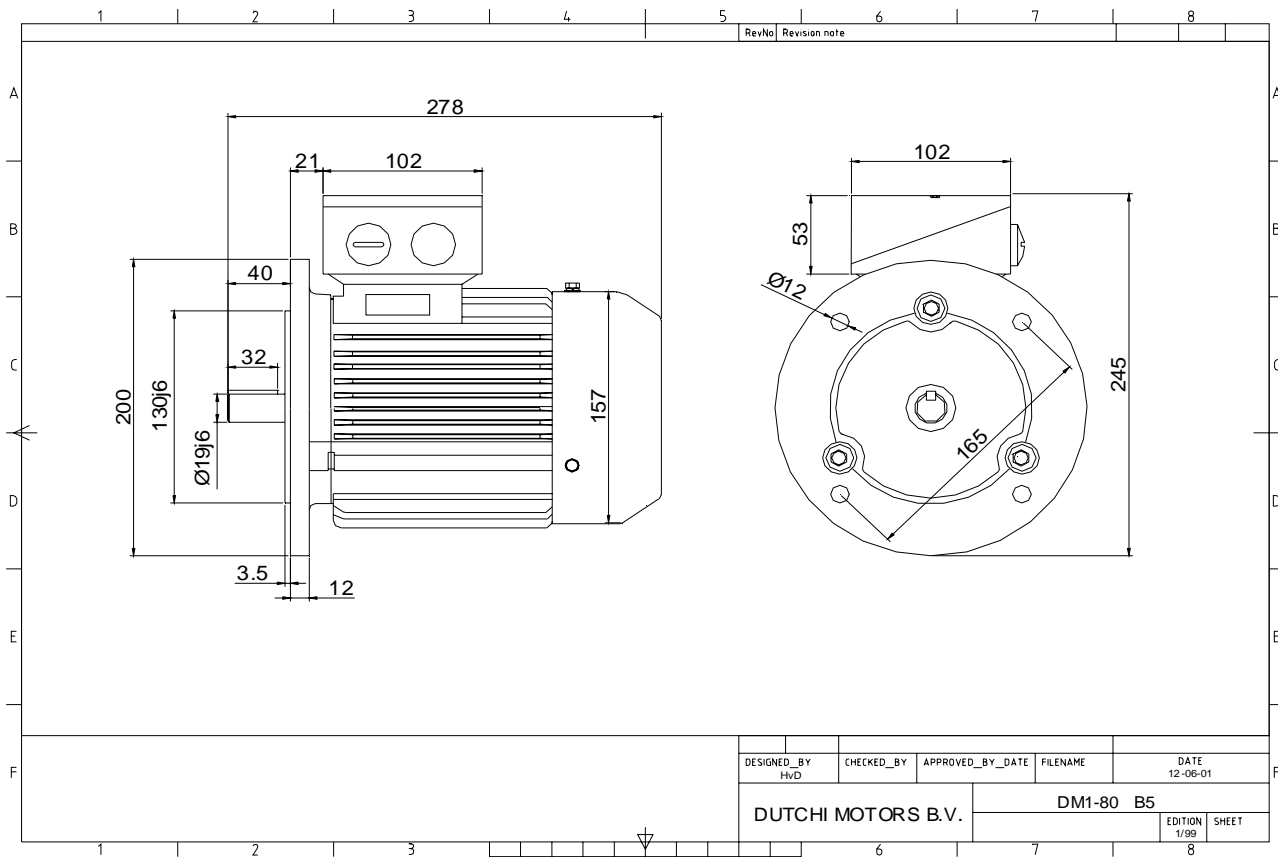
Full load torque **2,54** Nm
 DOL Starting torque vs FL torque **2,43**
 DOL Pull up torque vs FL torque **1,88**
 DOL Pull out torque vs FL torque **3,57**
 Star-Delta Starting torque vs FL torque **Y - motor**
 Star-Delta Pull up torque vs FL torque **Y - motor**
 Star-Delta Pull out torque vs FL torque **Y - motor**
 DOL Starting current vs FL current **6,67**
 Star Delta Starting current vs FL current **Y - motor**
 Rotor Inertia **0,0008** kgm2

Bearing DE **6204 - ZZ**
 Bearing NDE **6204 - ZZ**

Extras / Options :

WI	Change	date	sign.
Dutchi Motors B.V. P.O. Box 5390 NL-6802 EJ ARNHEM Tel : +31-(0)26 - 3541 600 Fax : +31-(0)26 - 3541 650		Description	date
		Drawing made by :	19-04-04
		dutchi.motors@dutchi.nl www.dutchi.com	

Power is our commodity, the world is our market !



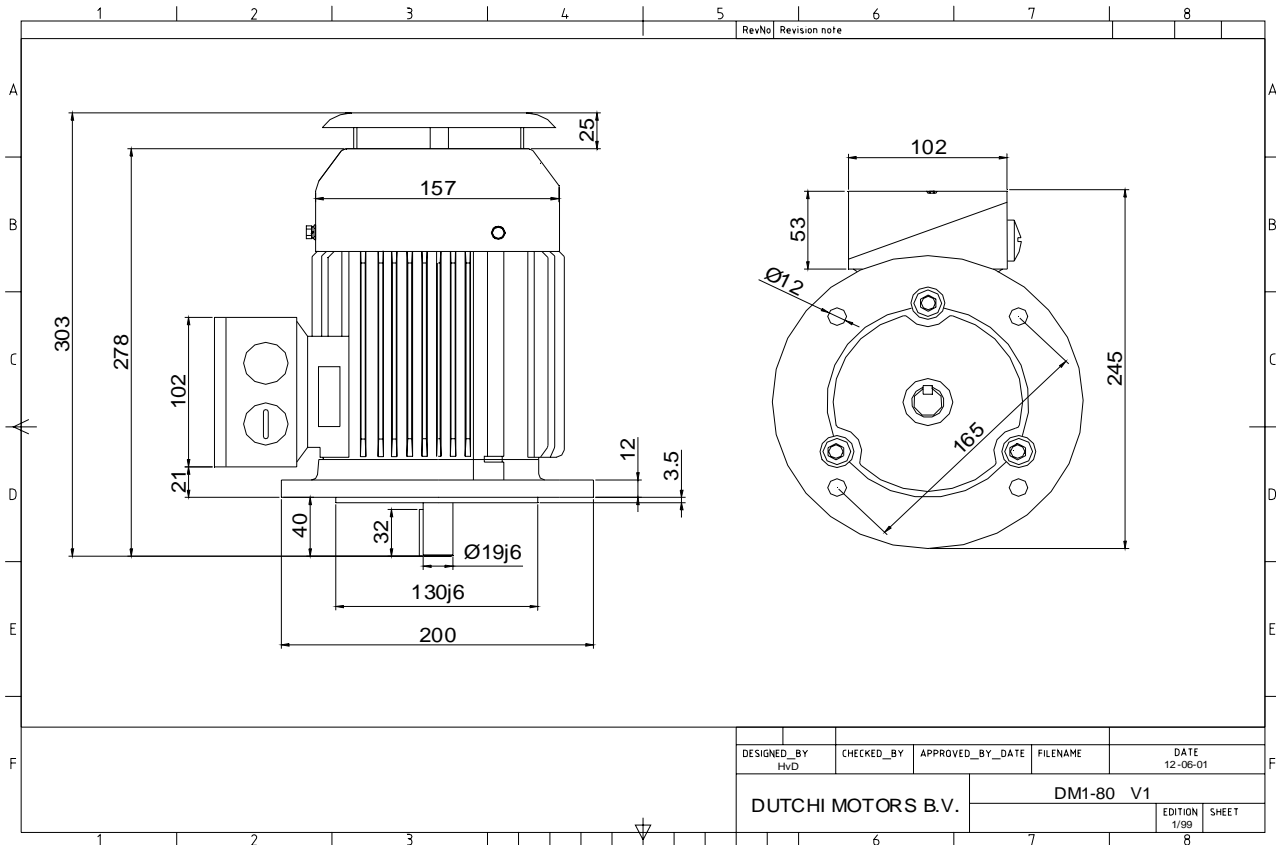
Specification	IEC 60034-1
Manufacturer	Dutchi Motors B.V.
Motor type	DM1- 80 K2
Rated power	0,75 kW S1 duty
Speed	2825 r.p.m
Voltage	230 / 400 V
Frequency	50 Hz
Connection	Δ / Y
Amps full load	3,13 / 1,81 A
Amps no-load(400V)	1,10 A
Enclosure	IP 55
Insulation Class	F (temp. rise B (80 K))
Max. coolant temp.	40°C
Max. altitude	1.000 mtr, above sea level
Comment	3 x PTC 150°C
Cable entries	2 x M25x1,5 + 1 x M20x1,5 (ptc)
Feature	Cast-iron motor
Weight	16,0 kg
Catalog no.	11222075D
Warranty	12~18 months

Efficiency class	N/A			
Load data	100%	75%	50%	25%
Efficiency	75,7	74,4	67,7	56,1 %
Power factor	0,79	0,73	0,56	0,41
Sound pressure level (1m)				66,6 dB(A)
Resistance R20 (open)				8,19 Ω
Resistance R20	Y		16,38 Ω	
Full load torque				2,54 Nm
DOL Starting torque vs FL torque				2,43
DOL Pull up torque vs FL torque				1,88
DOL Pull out torque vs FL torque				3,57
Star-Delta Starting torque vs FL torque				Y - motor
Star-Delta Pull up torque vs FL torque				Y - motor
Star-Delta Pull out torque vs FL torque				Y - motor
DOL Starting current vs FL current				6,67
Star Delta Starting current vs FL current				Y - motor
Rotor Inertia				0,0008 kgm ²
Bearing DE				6204 - ZZ
Bearing NDE				6204 - ZZ

Extras / Options :

WI	Change	date	sign.
Dutchi Motors B.V. P.O. Box 5390 NL-6802 EJ ARNHEM Tel : +31-(0)26 - 3541 600 Fax : +31-(0)26 - 3541 650		Description	date
		Drawing made by :	19-04-04
		dutchi.motors@dutchi.nl www.dutchi.com	

Power is our commodity, the world is our market !



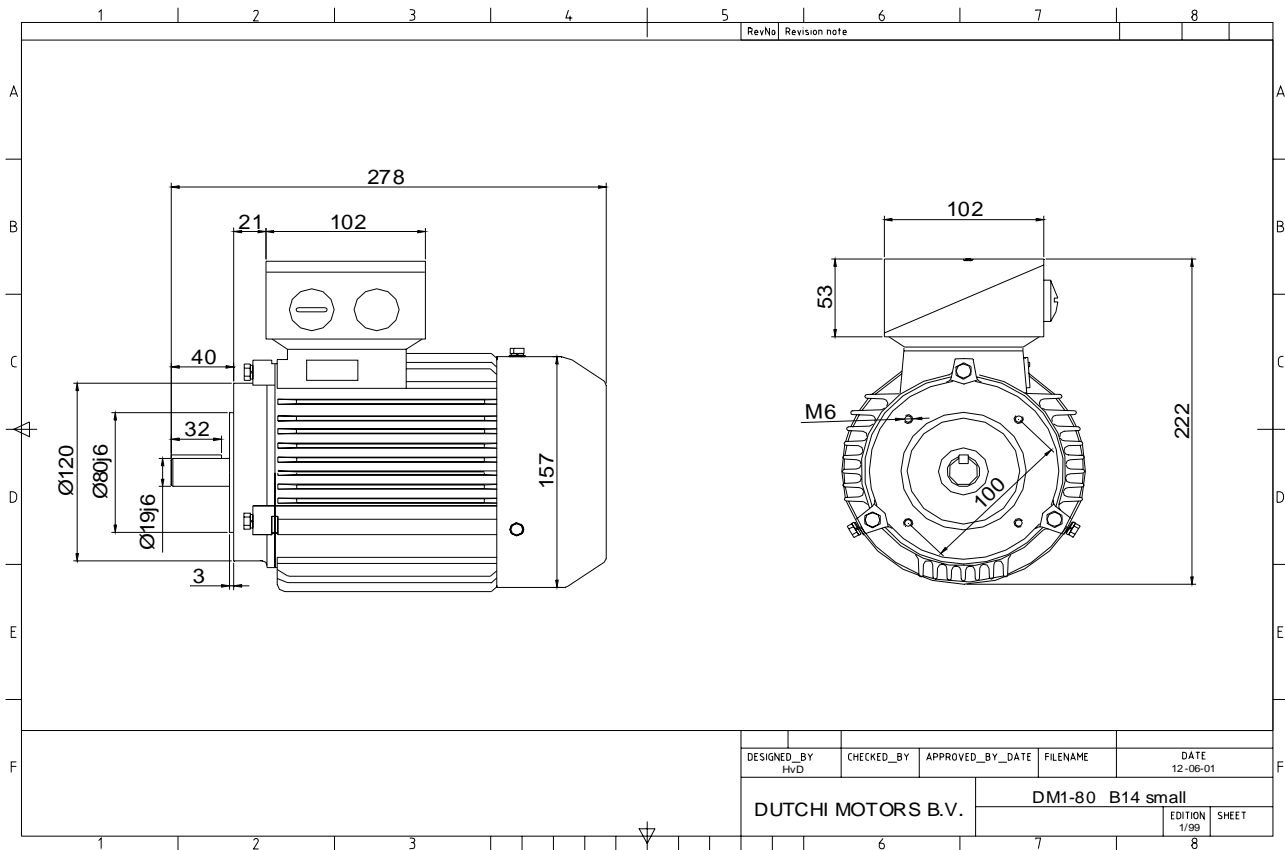
Specification	IEC 60034-1
Manufacturer	Dutchi Motors B.V.
Motor type	DM1- 80 K2
Rated power	0,75 kW S1 duty
Speed	2825 r.p.m
Voltage	230 / 400 V
Frequency	50 Hz
Connection	Δ / Y
Amps full load	3,13 / 1,81 A
Amps no-load(400V)	1,10 A
Enclosure	IP 55
Insulation Class	F (temp. rise B (80 K))
Max. coolant temp.	40°C
Max. altitude	1.000 mtr, above sea level
Comment	3 x PTC 150°C
Cable entries	2 x M25x1,5 + 1 x M20x1,5 (ptc)
Feature	Cast-iron motor
Weight	16,0 kg
Catalog no.	11022075D
Warranty	12~18 months

Efficiency class	N/A			
Load data	100%	75%	50%	25%
Efficiency	75,7	74,4	67,7	56,1 %
Power factor	0,79	0,73	0,56	0,41
Sound pressure level (1m)				66,6 dB(A)
Resistance R20 (open)				8,19 Ω
Resistance R20	Y		16,38 Ω	
Full load torque				2,54 Nm
DOL Starting torque vs FL torque				2,43
DOL Pull up torque vs FL torque				1,88
DOL Pull out torque vs FL torque				3,57
Star-Delta Starting torque vs FL torque				Y - motor
Star-Delta Pull up torque vs FL torque				Y - motor
Star-Delta Pull out torque vs FL torque				Y - motor
DOL Starting current vs FL current				6,67
Star Delta Starting current vs FL current				Y - motor
Rotor Inertia				0,0008 kgm ²
Bearing DE				6204 - ZZ
Bearing NDE				6204 - ZZ

Extras / Options :

WI	Change	date	sign.
Dutchi Motors B.V. P.O. Box 5390 NL-6802 EJ ARNHEM Tel : +31-(0)26 - 3541 600 Fax : +31-(0)26 - 3541 650		Discription Drawing made by :	date 19-04-04 sign. HvD
dutchi.motors@dutchi.nl www.dutchi.com			

Power is our commodity, the world is our market !



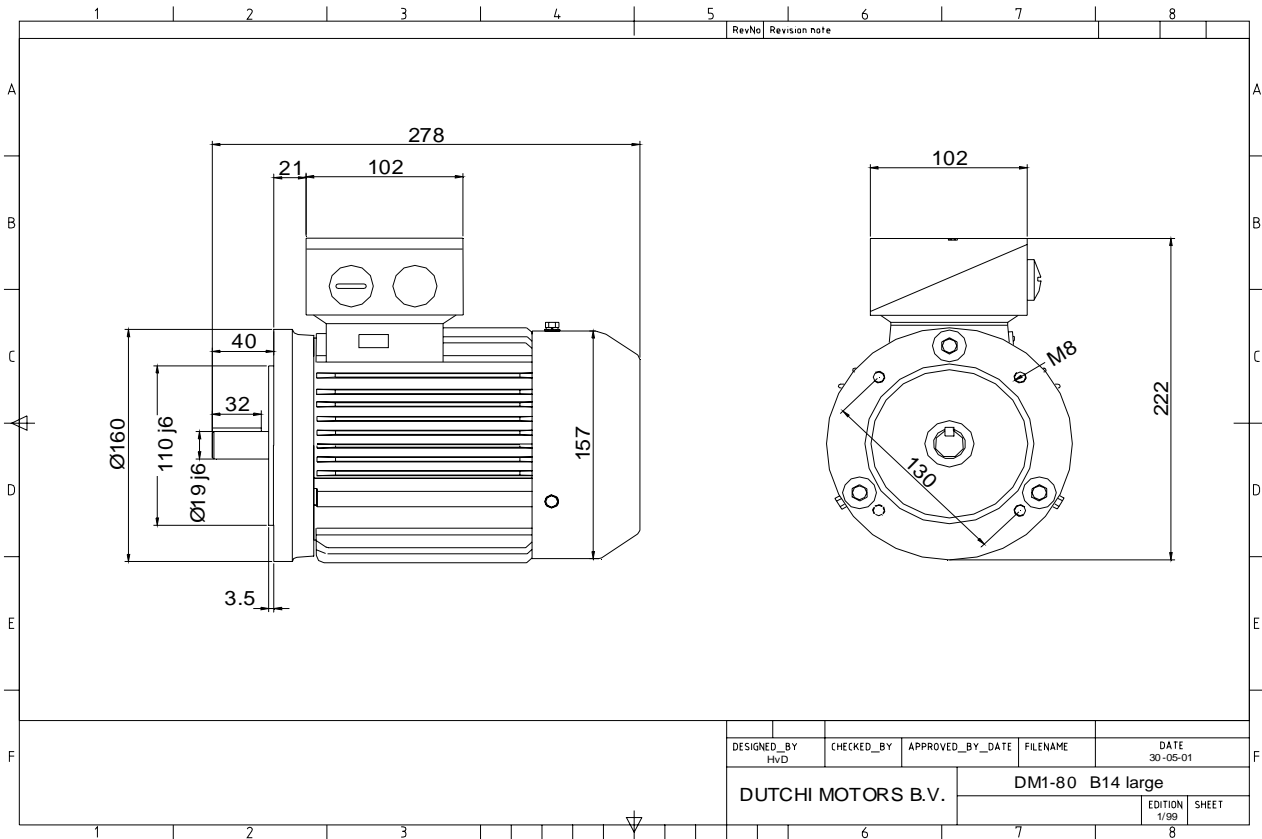
Specification	IEC 60034-1
Manufacturer	Dutchi Motors B.V.
Motor type	DM1- 80 K2
Rated power	0,75 kW S1 duty
Speed	2825 r.p.m
Voltage	230 / 400 V
Frequency	50 Hz
Connection	Δ / Y
Amps full load	3,13 / 1,81 A
Amps no-load(400V)	1,10 A
Enclosure	IP 55
Insulation Class	F (temp. rise B (80 K))
Max. coolant temp.	40°C
Max. altitude	1.000 mtr, above sea level
Comment	3 x PTC 150°C
Cable entries	2 x M25x1,5 + 1 x M20x1,5 (ptc)
Feature	Cast-iron motor
Weight	16,0 kg
Catalog no.	11322075D
Warranty	12~18 months

Efficiency class	N/A			
Load data	100%	75%	50%	25%
Efficiency	75,7	74,4	67,7	56,1 %
Power factor	0,79	0,73	0,56	0,41
Sound pressure level (1m)				66,6 dB(A)
Resistance R20 (open)				8,19 Ω
Resistance R20	Y		16,38	Ω
Full load torque				2,54 Nm
DOL Starting torque vs FL torque				2,43
DOL Pull up torque vs FL torque				1,88
DOL Pull out torque vs FL torque				3,57
Star-Delta Starting torque vs FL torque				Y - motor
Star-Delta Pull up torque vs FL torque				Y - motor
Star-Delta Pull out torque vs FL torque				Y - motor
DOL Starting current vs FL current				6,67
Star Delta Starting current vs FL current				Y - motor
Rotor Inertia				0,0008 kgm ²
Bearing DE				6204 - ZZ
Bearing NDE				6204 - ZZ

Extras / Options :

WI	Change	date	sign.
Dutchi Motors B.V. P.O. Box 5390 NL-6802 EJ ARNHEM Tel : +31-(0)26 - 3541 600 Fax : +31-(0)26 - 3541 650		Discription Drawing made by :	date 19-04-04 sign. HvD
		dutchi.motors@dutchi.nl www.dutchi.com	

Power is our commodity, the world is our market !



DESIGNED_BY HvD	CHECKED_BY	APPROVED_BY_DATE	FILENAME	DATE 30-05-01
DUTCHI MOTORS B.V.			DM1-80 B14 large	
			EDITION 1/00	SHEET 8

Specification	IEC 60034-1
Manufacturer	Dutchi Motors B.V.
Motor type	DM1- 80 K2
Rated power	0,75 kW S1 duty
Speed	2825 r.p.m
Voltage	230 / 400 V
Frequency	50 Hz
Connection	Δ / Y
Amps full load	3,13 / 1,81 A
Amps no-load(400V)	1,10 A
Enclosure	IP 55
Insulation Class	F (temp. rise B (80 K))
Max. coolant temp.	40°C
Max. altitude	1.000 mtr, above sea level
Comment	3 x PTC 150°C
Cable entries	2 x M25x1,5 + 1 x M20x1,5 (ptc)
Feature	Cast-iron motor
Weight	16,0 kg
Catalog no.	11422075D
Warranty	12~18 months

Efficiency class	N/A			
Load data	100%	75%	50%	25%
Efficiency	75,7	74,4	67,7	56,1 %
Power factor	0,79	0,73	0,56	0,41
Sound pressure level (1m)				66,6 dB(A)
Resistance R20 (open)				8,19 Ω
Resistance R20	Y		16,38 Ω	
Full load torque				2,54 Nm
DOL Starting torque vs FL torque				2,43
DOL Pull up torque vs FL torque				1,88
DOL Pull out torque vs FL torque				3,57
Star-Delta Starting torque vs FL torque				Y - motor
Star-Delta Pull up torque vs FL torque				Y - motor
Star-Delta Pull out torque vs FL torque				Y - motor
DOL Starting current vs FL current				6,67
Star Delta Starting current vs FL current				Y - motor
Rotor Inertia				0,0008 kgm ²
Bearing DE				6204 - ZZ
Bearing NDE				6204 - ZZ

Extras / Options :

WI	Change	date	sign.
Dutchi Motors B.V. P.O. Box 5390 NL-6802 EJ ARNHEM Tel : +31-(0)26 - 3541 600 Fax : +31-(0)26 - 3541 650		Discription Drawing made by :	date 19-04-04 sign. HvD
		dutchi.motors@dutchi.nl www.dutchi.com	