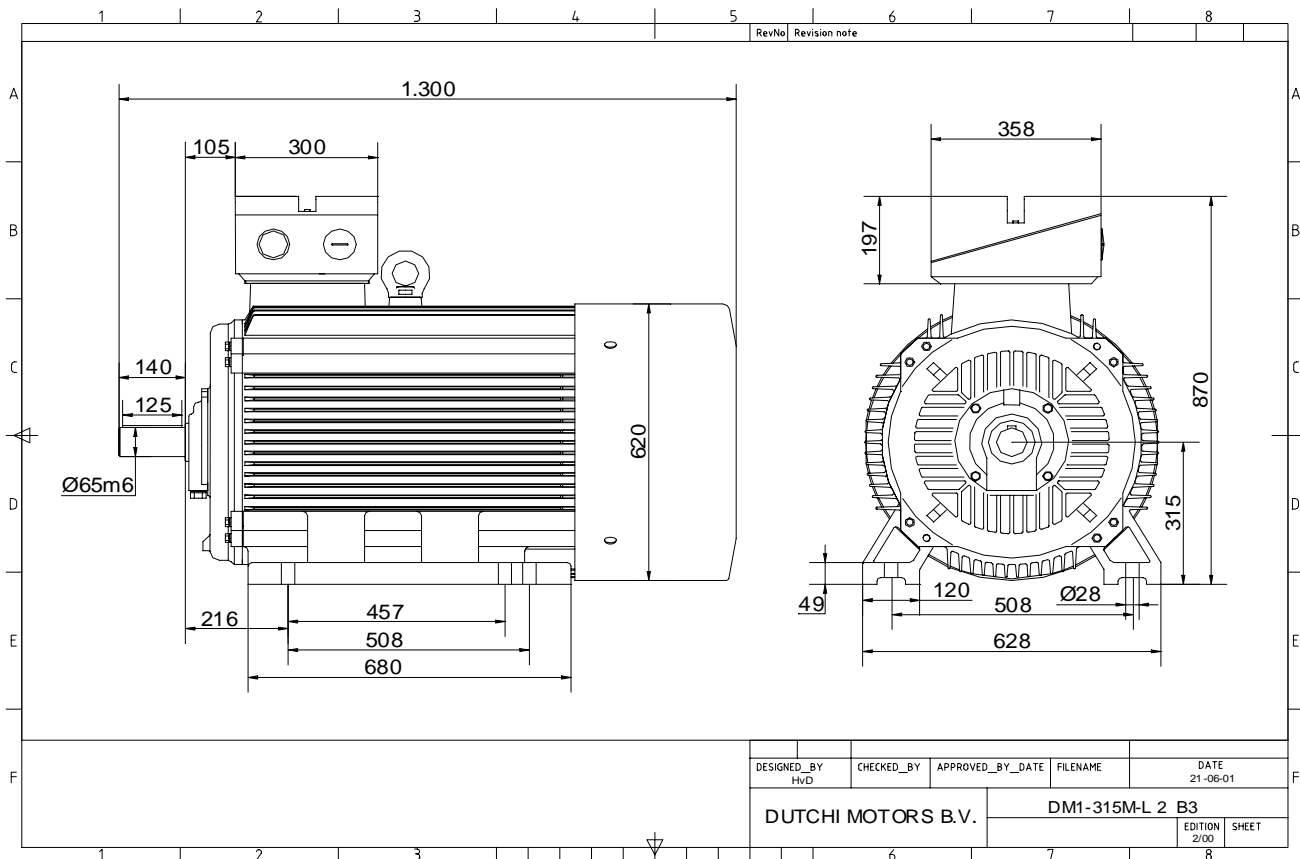


Power is our commodity, the world is our market !

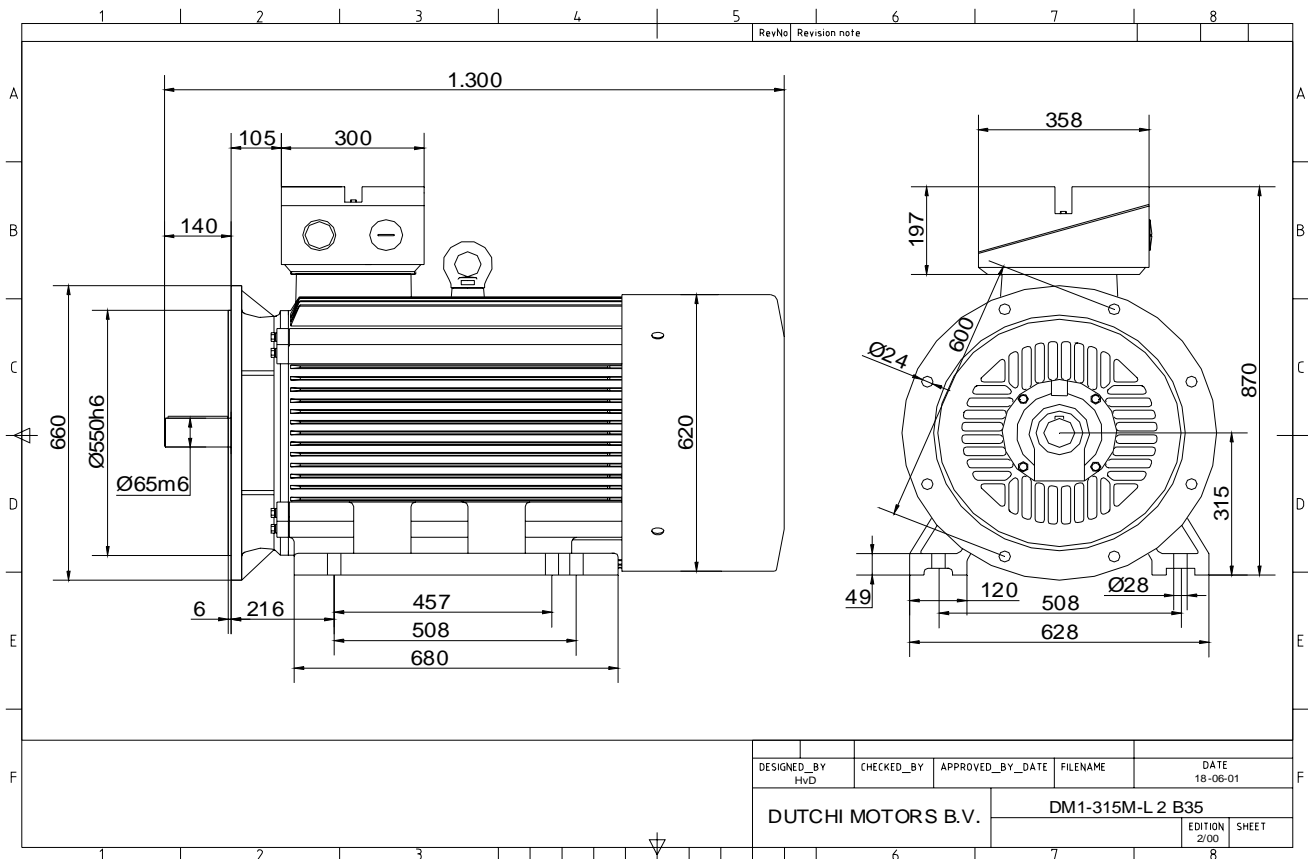


Specification	IEC 60034-1
Manufacturer	Dutchi Motors B.V.
Motor type	DM1- 315 M2
Rated power	132 kW S1 duty
Speed	2975 r.p.m
Voltage	400 / 690 V
Frequency	50 Hz
Connection	Δ / Y
Amps full load	221 / 128 A
Amps no-load(400V)	45,60 A
Enclosure	IP 55
Insulation Class	F (temp. rise B (80 K))
Max. coolant temp.	40°C
Max. altitude	1.000 mtr, above sea level
Comment	3 x PTC 150°C
Cable entries	2 x M63x1,5 + 1 x M20x1,5 (ptc)
Feature	Cast-iron motor
Weight	970 kg
Catalog no.	11132B32D
Warranty	12~18 months

Efficiency class	N/A			
Load data	100%	75%	50%	25%
Efficiency	94,3	93,7	92,0	86,1 %
Power factor	0,91	0,91	0,87	0,72
Sound pressure level (1m)				92,0 dB(A)
Resistance R20 (open)				0,0233 Ω
Resistance R20	Δ			0,0155 Ω
Full load torque				424 Nm
DOL Starting torque vs FL torque				1,71
DOL Pull up torque vs FL torque				1,31
DOL Pull out torque vs FL torque				2,98
Star-Delta Starting torque vs FL torque				0,54
Star-Delta Pull up torque vs FL torque				0,41
Star-Delta Pull out torque vs FL torque				0,93
DOL Starting current vs FL current				5,90
Star Delta Starting current vs FL current				1,85
Rotor Inertia				1,7500 kgm ²
Bearing DE				6317 - C3 or NU317
Bearing NDE				6317 - C3 (IM V1 7317B)

WI	Change	date	sign.
Dutchi Motors B.V. P.O. Box 5390 NL-6802 EJ ARNHEM Tel : +31-(0)26 - 3541 600 Fax : +31-(0)26 - 3541 650		Discription Drawing made by :	date 27-04-04 sign. HVD
		dutchi.motors@dutchi.nl www.dutchi.com	

Power is our commodity, the world is our market !



Specification **IEC 60034-1**
 Manufacturer **Dutchi Motors B.V.**
 Motor type **DM1- 315 M2**
 Rated power **132** kW **S1** duty
 Speed **2975** r.p.m
 Voltage **400** / **690** V
 Frequency **50** Hz
 Connection **Δ** / **Y**
 Amps full load **221** / **128** A
 Amps no-load(400V) **45,60** A
 Enclosure **IP 55**
 Insulation Class **F (temp. rise B (80 K))**

Max. coolant temp. **40°C**
 Max. altitude **1.000** mtr, above sea level
 Comment **3 x PTC 150°C**
 Cable entries **2 x M63x1,5 + 1 x M20x1,5 (ptc)**

Feature **Cast-iron motor**
 Weight **970** kg
 Catalog no. **11532B32D**
 Warranty **12~18 months**

Efficiency class **N/A**
 Load data 100% 75% 50% 25%
 Efficiency **94,3 93,7 92,0 86,1** %
 Power factor **0,91 0,91 0,87 0,72**

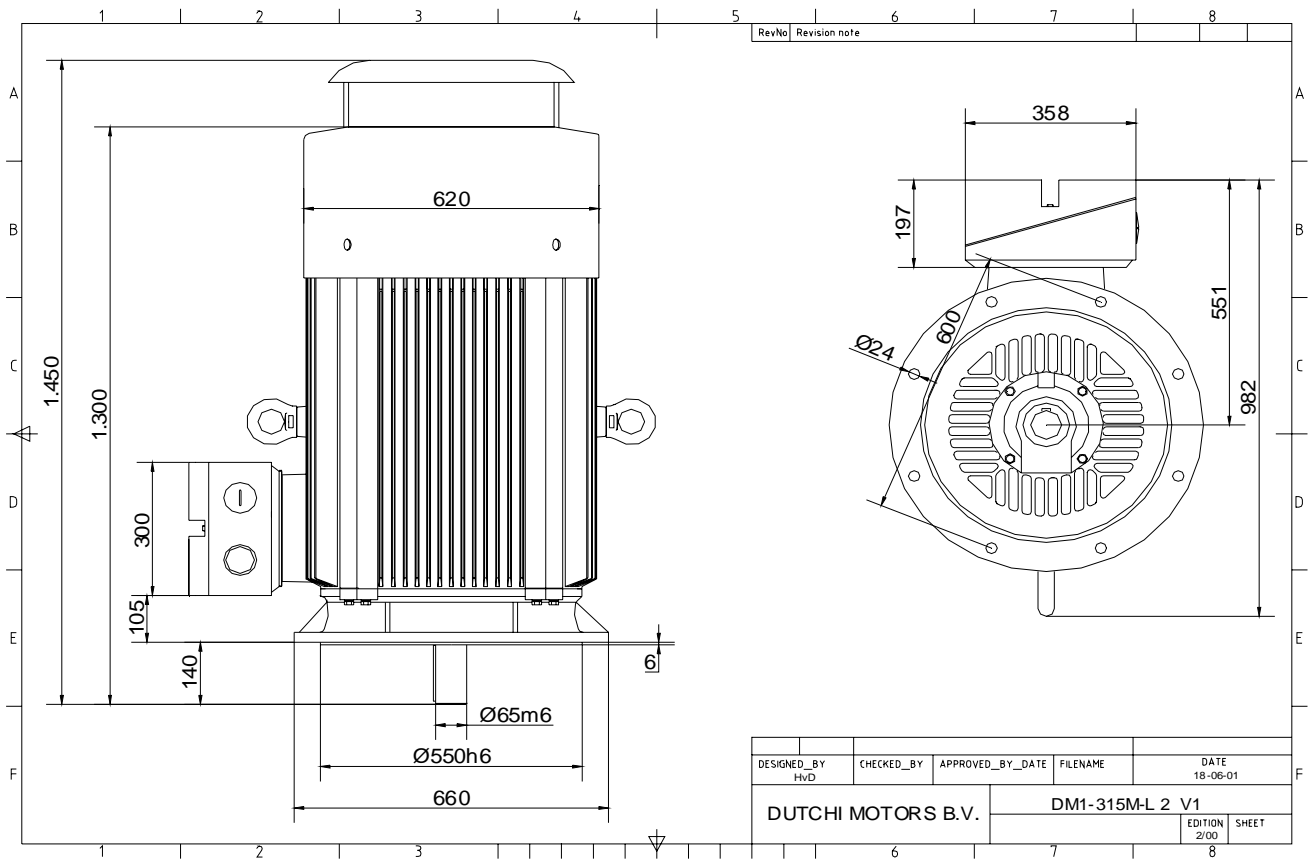
Sound pressure level (1m) **92,0** dB(A)
 Resistance R20 (open) **0,0233** Ω
 Resistance R20 **Δ 0,0155** Ω

Full load torque **424** Nm
 DOL Starting torque vs FL torque **1,71**
 DOL Pull up torque vs FL torque **1,31**
 DOL Pull out torque vs FL torque **2,98**
 Star-Delta Starting torque vs FL torque **0,54**
 Star-Delta Pull up torque vs FL torque **0,41**
 Star-Delta Pull out torque vs FL torque **0,93**
 DOL Starting current vs FL current **5,90**
 Star Delta Starting current vs FL current **1,85**
 Rotor Inertia **1,7500** kgm²

Bearing DE **6317 - C3 or NU317**
 Bearing NDE **6317 - C3 (IM V1 7317B)**

WI	Change	date	sign.
Dutchi Motors B.V. P.O. Box 5390 NL-6802 EJ ARNHEM Tel : +31-(0)26 - 3541 600 Fax : +31-(0)26 - 3541 650		Description Drawing made by : 27-04-04	date 27-04-04 sign. HvD
		dutchi.motors@dutchi.nl www.dutchi.com	

Power is our commodity, the world is our market !



Specification	IEC 60034-1
Manufacturer	Dutchi Motors B.V.
Motor type	DM1- 315 M2
Rated power	132 kW S1 duty
Speed	2975 r.p.m
Voltage	400 / 690 V
Frequency	50 Hz
Connection	Δ / Y
Amps full load	221 / 128 A
Amps no-load(400V)	45,60 A
Enclosure	IP 55
Insulation Class	F (temp. rise B (80 K))
Max. coolant temp.	40°C
Max. altitude	1.000 mtr, above sea level
Comment	3 x PTC 150°C
Cable entries	2 x M63x1,5 + 1 x M20x1,5 (ptc)
Feature	Cast-iron motor
Weight	970 kg
Catalog no.	11032B32D
Warranty	12~18 months

Efficiency class	N/A			
Load data	100%	75%	50%	25%
Efficiency	94,3	93,7	92,0	86,1 %
Power factor	0,91	0,91	0,87	0,72
Sound pressure level (1m)				92,0 dB(A)
Resistance R20 (open)				0,0233 Ω
Resistance R20	Δ			0,0155 Ω
Full load torque				424 Nm
DOL Starting torque vs FL torque				1,71
DOL Pull up torque vs FL torque				1,31
DOL Pull out torque vs FL torque				2,98
Star-Delta Starting torque vs FL torque				0,54
Star-Delta Pull up torque vs FL torque				0,41
Star-Delta Pull out torque vs FL torque				0,93
DOL Starting current vs FL current				5,90
Star Delta Starting current vs FL current				1,85
Rotor Inertia				1,7500 kgm ²
Bearing DE				6317 - C3 or NU317
Bearing NDE				6317 - C3 (IM V1 7317B)

WI	Change	date	sign.
Dutchi Motors B.V. P.O. Box 5390 NL-6802 EJ ARNHEM Tel : +31-(0)26 - 3541 600 Fax : +31-(0)26 - 3541 650		Discription Drawing made by : 27-04-04	date sign. HvD
		dutchi.motors@dutchi.nl www.dutchi.com	