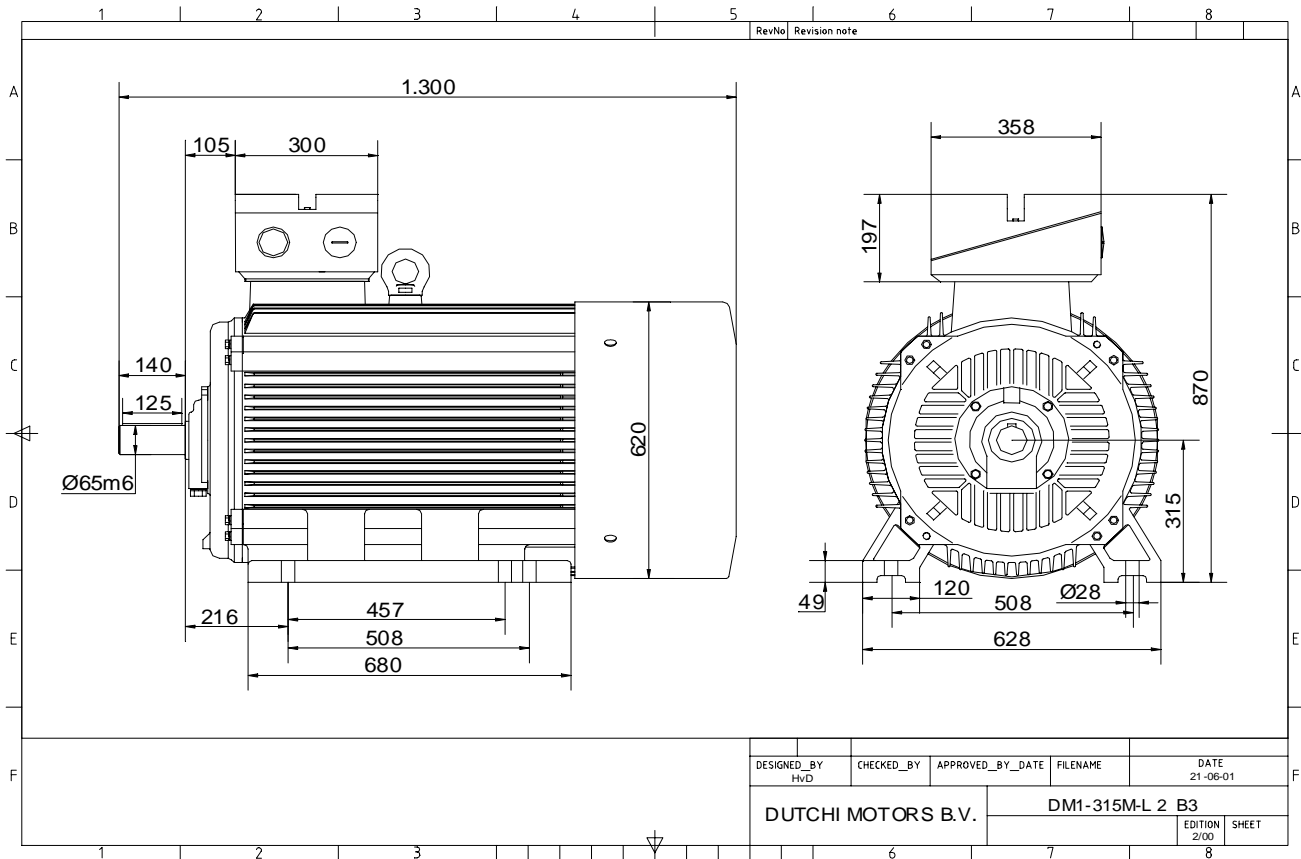


Power is our commodity, the world is our market !

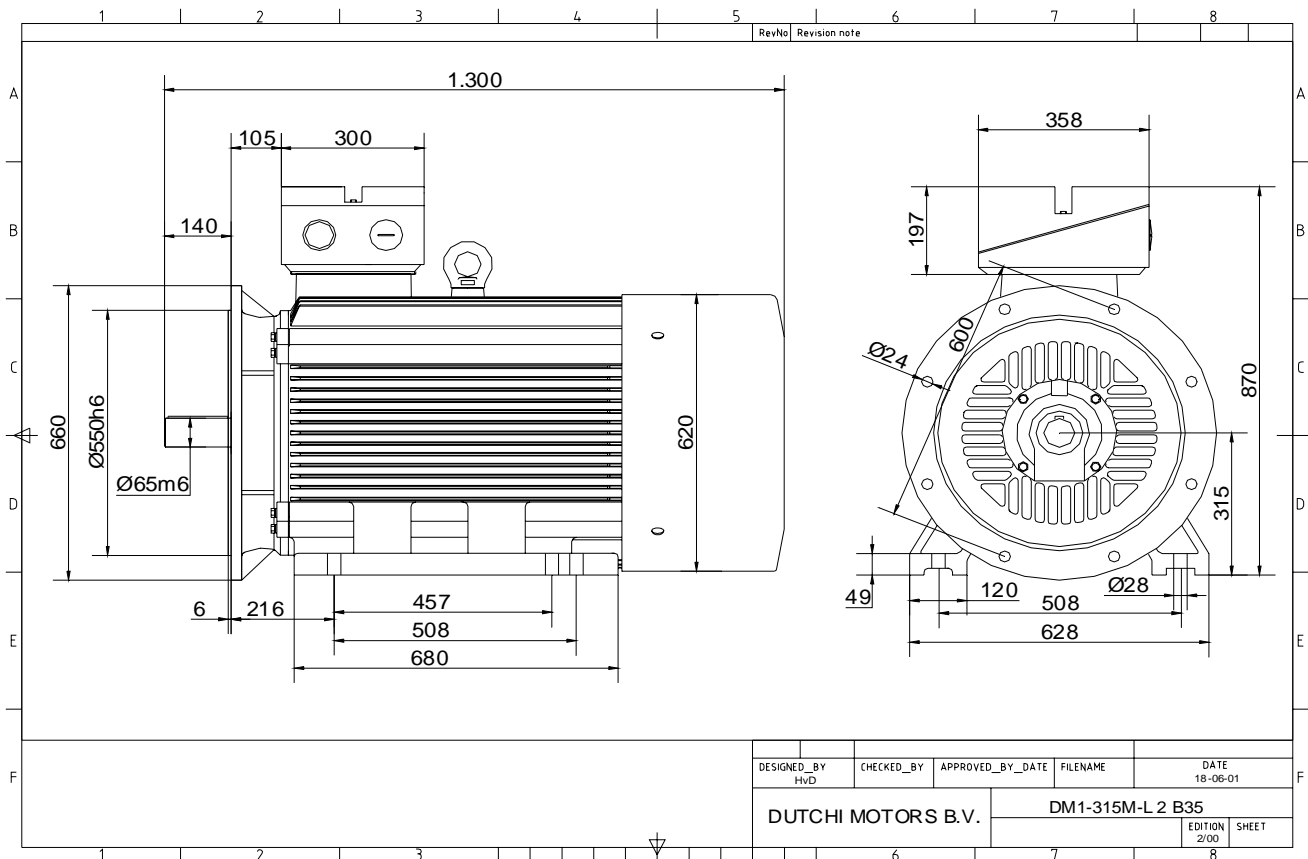


Specification	IEC 60034-1
Manufacturer	Dutchi Motors B.V.
Motor type	DM1- 315 LX2
Rated power	200 kW S1 duty
Speed	2975 r.p.m
Voltage	400 / 690 V
Frequency	50 Hz
Connection	Δ / Y
Amps full load	331 / 191 A
Amps no-load(400V)	68,90 A
Enclosure	IP 55
Insulation Class	F (temp. rise B (80 K))
Max. coolant temp.	40°C
Max. altitude	1.000 mtr, above sea level
Comment	3 x PTC 150°C
Cable entries	2 x M63x1,5 + 1 x M20x1,5 (ptc)
Feature	Cast-iron motor
Weight	1170 kg
Catalog no.	11132C00D
Warranty	12~18 months

Efficiency class	N/A			
Load data	100%	75%	50%	25%
Efficiency	95,4	95,2	94,2	90,4 %
Power factor	0,91	0,91	0,88	0,76
Sound pressure level (1m)	86,7 dB(A)			
Resistance R20 (open)	0,0127 Ω			
Resistance R20	Δ 0,0085 Ω			
Full load torque	642 Nm			
DOL Starting torque vs FL torque	2,05			
DOL Pull up torque vs FL torque	1,54			
DOL Pull out torque vs FL torque	3,23			
Star-Delta Starting torque vs FL torque	0,64			
Star-Delta Pull up torque vs FL torque	0,48			
Star-Delta Pull out torque vs FL torque	1,01			
DOL Starting current vs FL current	6,69			
Star Delta Starting current vs FL current	2,09			
Rotor Inertia	2,2700 kgm ²			
Bearing DE	6319 - C3 or NU319			
Bearing NDE	6319 - C3 (IM V1 7319B)			

WI	Change	date	sign.
Dutchi Motors B.V. P.O. Box 5390 NL-6802 EJ ARNHEM Tel : +31-(0)26 - 3541 600 Fax : +31-(0)26 - 3541 650		Discription Drawing made by :	date sign. HVD
		dutchi.motors@dutchi.nl www.dutchi.com	

Power is our commodity, the world is our market !



Specification **IEC 60034-1**
 Manufacturer **Dutchi Motors B.V.**
 Motor type **DM1- 315 LX2**
 Rated power **200** kW **S1** duty
 Speed **2975** r.p.m
 Voltage **400** / **690** V
 Frequency **50** Hz
 Connection **Δ** / **Y**
 Amps full load **331** / **191** A
 Amps no-load(400V) **68,90** A
 Enclosure **IP 55**
 Insulation Class **F (temp. rise B (80 K))**

Max. coolant temp. **40°C**
 Max. altitude **1.000** mtr, above sea level
 Comment **3 x PTC 150°C**
 Cable entries **2 x M63x1,5 + 1 x M20x1,5 (ptc)**

Feature **Cast-iron motor**
 Weight **1170** kg
 Catalog no. **11532C00D**
 Warranty **12~18 months**

Efficiency class **N/A**
 Load data 100% 75% 50% 25%
 Efficiency **95,4 95,2 94,2 90,4** %
 Power factor **0,91 0,91 0,88 0,76**

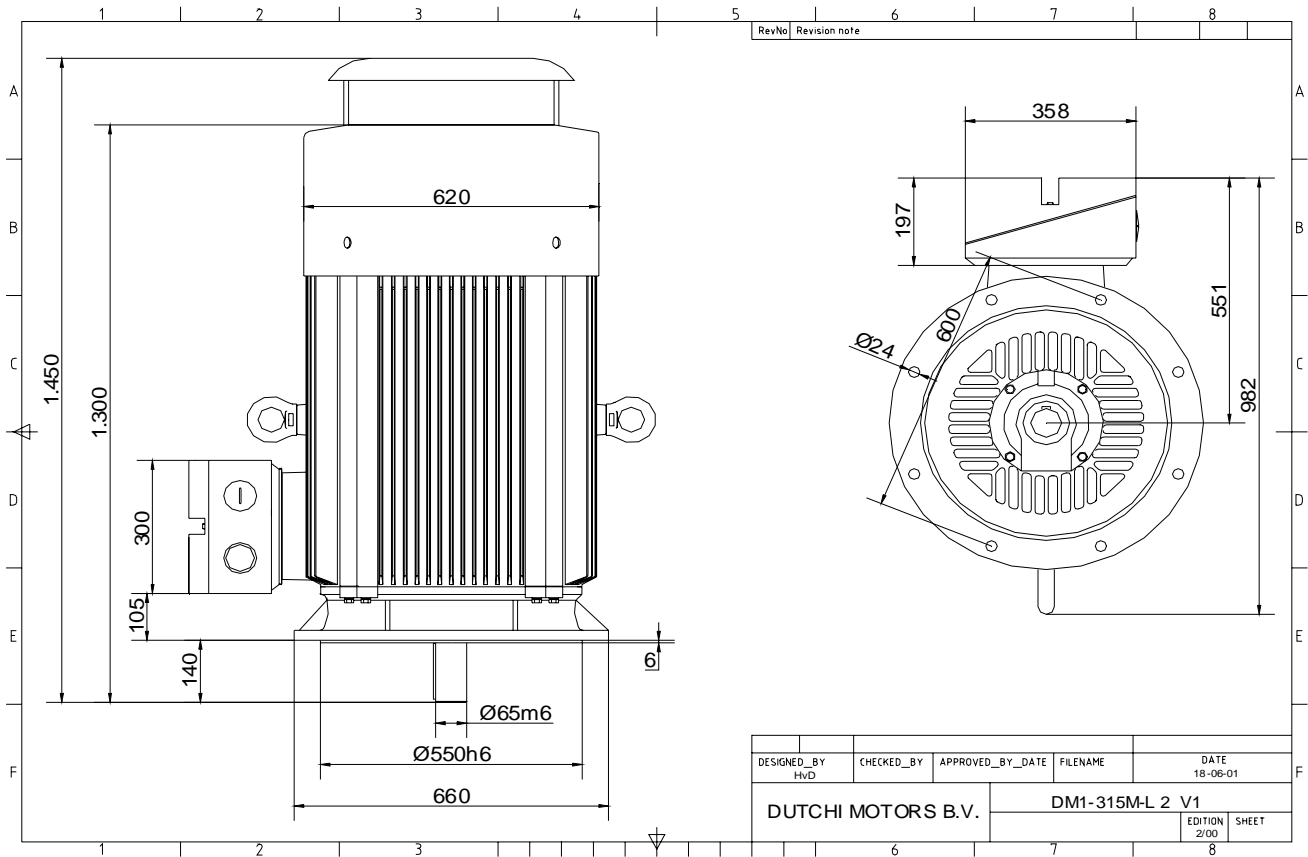
Sound pressure level (1m) **86,7** dB(A)
 Resistance R20 (open) **0,0127** Ω
 Resistance R20 **Δ 0,0085** Ω

Full load torque **642** Nm
 DOL Starting torque vs FL torque **2,05**
 DOL Pull up torque vs FL torque **1,54**
 DOL Pull out torque vs FL torque **3,23**
 Star-Delta Starting torque vs FL torque **0,64**
 Star-Delta Pull up torque vs FL torque **0,48**
 Star-Delta Pull out torque vs FL torque **1,01**
 DOL Starting current vs FL current **6,69**
 Star Delta Starting current vs FL current **2,09**
 Rotor Inertia **2,2700** kgm²

Bearing DE **6319 - C3 or NU319**
 Bearing NDE **6319 - C3 (IM V1 7319B)**

WI	Change	date	sign.
Dutchi Motors B.V. P.O. Box 5390 NL-6802 EJ ARNHEM Tel : +31-(0)26 - 3541 600 Fax : +31-(0)26 - 3541 650		Description Drawing made by : 27-04-04	date sign. HvD
		dutchi.motors@dutchi.nl www.dutchi.com	

Power is our commodity, the world is our market !



Specification	IEC 60034-1
Manufacturer	Dutchi Motors B.V.
Motor type	DM1- 315 LX2
Rated power	200 kW S1 duty
Speed	2975 r.p.m
Voltage	400 / 690 V
Frequency	50 Hz
Connection	Δ / Y
Amps full load	331 / 191 A
Amps no-load(400V)	68,90 A
Enclosure	IP 55
Insulation Class	F (temp. rise B (80 K))
Max. coolant temp.	40°C
Max. altitude	1.000 mtr, above sea level
Comment	3 x PTC 150°C
Cable entries	2 x M63x1,5 + 1 x M20x1,5 (ptc)
Feature	Cast-iron motor
Weight	1170 kg
Catalog no.	11032C00D
Warranty	12~18 months

Efficiency class	N/A				
Load data	100%	75%	50%	25%	
Efficiency	95,4	95,2	94,2	90,4	%
Power factor	0,91	0,91	0,88	0,76	
Sound pressure level (1m)	86,7				dB(A)
Resistance R20 (open)	0,0127				Ω
Resistance R20	0,0085				Ω
Full load torque	642				Nm
DOL Starting torque vs FL torque	2,05				
DOL Pull up torque vs FL torque	1,54				
DOL Pull out torque vs FL torque	3,23				
Star-Delta Starting torque vs FL torque	0,64				
Star-Delta Pull up torque vs FL torque	0,48				
Star-Delta Pull out torque vs FL torque	1,01				
DOL Starting current vs FL current	6,69				
Star Delta Starting current vs FL current	2,09				
Rotor Inertia	2,2700				kgm ²
Bearing DE	6319 - C3 or NU319				
Bearing NDE	6319 - C3 (IM V1 7319B)				

WI	Change	date	sign.
Dutchi Motors B.V.		Description	date
P.O. Box 5390		Drawing made by :	27-04-04
NL-6802 EJ ARNHEM			
Tel : +31-(0)26 - 3541 600		dutchi.motors@dutchi.nl	
Fax : +31-(0)26 - 3541 650		www.dutchi.com	