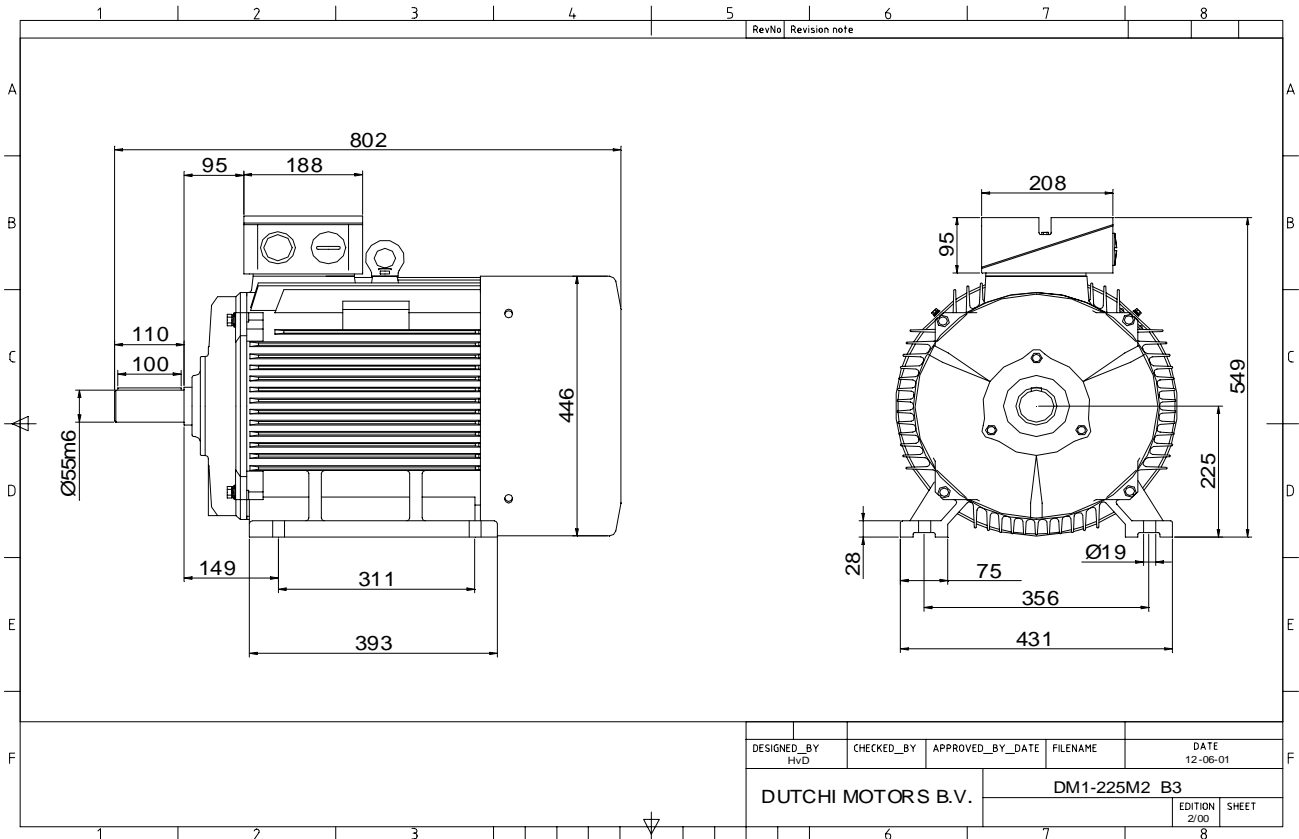


Power is our commodity, the world is our market !



Specification **IEC 60034-1**  
 Manufacturer **Dutchi Motors B.V.**  
 Motor type **DM1- 225 M2**  
 Rated power **45,00 kW S1** duty  
 Speed **2960** r.p.m  
 Voltage **400 / 690** V  
 Frequency **50** Hz  
 Connection **Δ / Y**  
 Amps full load **78,7 / 45,4** A  
 Amps no-load(400V) **26,63** A  
 Enclosure **IP 55**  
 Insulation Class **F (temp. rise B (80 K))**

Max. coolant temp. **40°C**  
 Max. altitude **1.000** mtr, above sea level  
 Comment **3 x PTC 150°C**  
 Cable entries **2 x M50x1,5 + 1 x M20x1,5 (ptc)**

Feature **Cast-iron motor**  
 Weight **297** kg  
 Catalog no. **11132A45D**  
 Warranty **12~18 months**

Efficiency class **EFF 2**  
 Load data 100% 75% 50% 25%  
 Efficiency **92,2 91,6 89,6 83,0** %  
 Power factor **0,90 0,86 0,77 0,57**

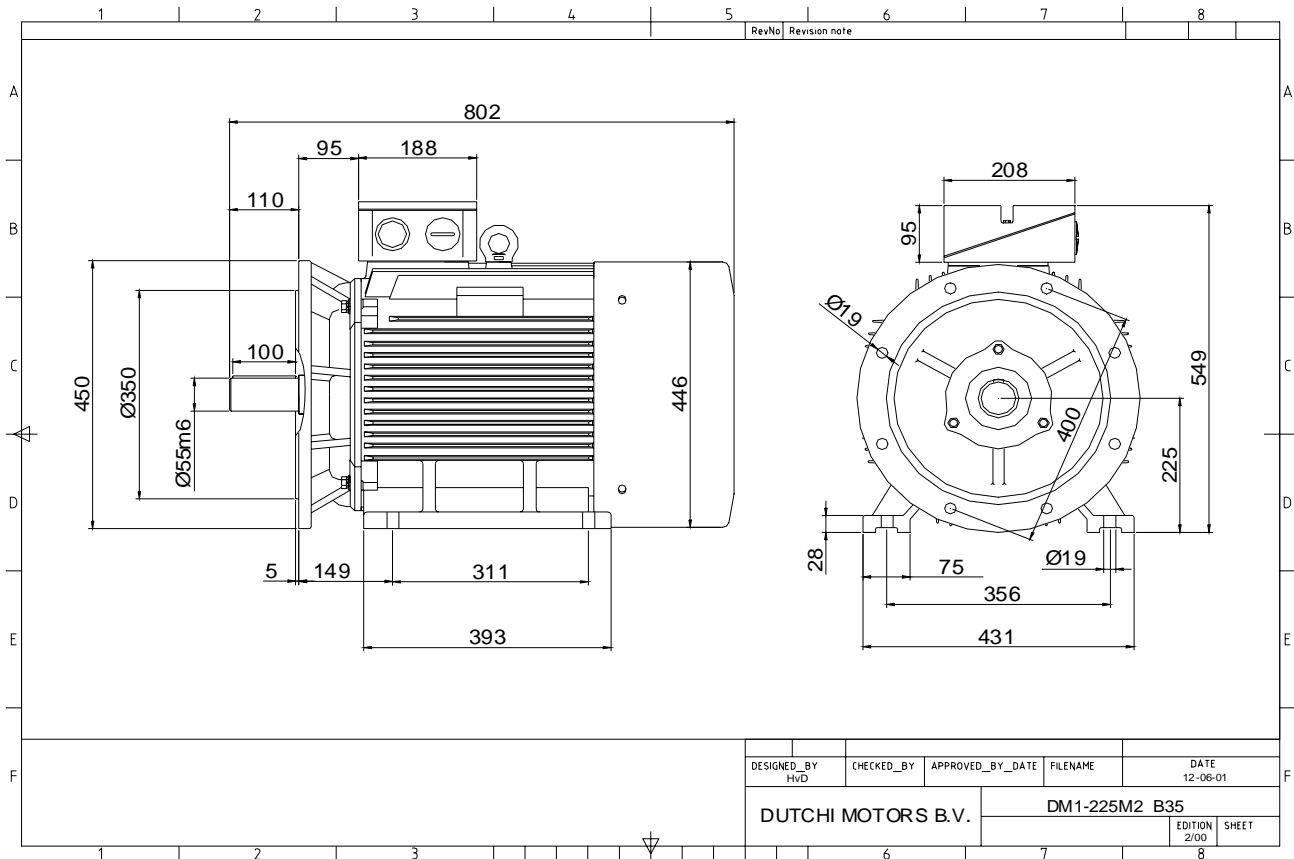
Sound pressure level (1m) **84,4** dB(A)  
 Resistance R20 (open) **0,126** Ω  
 Resistance R20 **Δ 0,084** Ω

Full load torque **145,19** Nm  
 DOL Starting torque vs FL torque **3,06**  
 DOL Pull up torque vs FL torque **2,15**  
 DOL Pull out torque vs FL torque **4,03**  
 Star-Delta Starting torque vs FL torque **0,96**  
 Star-Delta Pull up torque vs FL torque **0,67**  
 Star-Delta Pull out torque vs FL torque **1,26**  
 DOL Starting current vs FL current **8,76**  
 Star Delta Starting current vs FL current **2,74**  
 Rotor Inertia **0,2210** kgm<sup>2</sup>

Bearing DE **6313 - ZZ C3**  
 Bearing NDE **6313 - ZZ C3**


WI	Change	date	sign.
Dutchi Motors B.V.		Description	date
P.O. Box 5390		Drawing made by :	27-04-04
NL-6802 EJ ARNHEM			
Tel : +31-(0)26 - 3541 600		dutchi.motors@dutchi.nl	
Fax : +31-(0)26 - 3541 650		www.dutchi.com	

Power is our commodity, the world is our market !



Specification **IEC 60034-1**  
 Manufacturer **Dutchi Motors B.V.**  
 Motor type **DM1- 225 M2**  
 Rated power **45,00 kW S1** duty  
 Speed **2960** r.p.m  
 Voltage **400 / 690** V  
 Frequency **50** Hz  
 Connection **Δ / Y**  
 Amps full load **78,7 / 45,4** A  
 Amps no-load(400V) **26,63** A  
 Enclosure **IP 55**  
 Insulation Class **F (temp. rise B (80 K))**

Max. coolant temp. **40°C**  
 Max. altitude **1.000** mtr, above sea level  
 Comment **3 x PTC 150°C**  
 Cable entries **2 x M50x1,5 + 1 x M20x1,5 (ptc)**

Feature **Cast-iron motor**  
 Weight **297** kg  
 Catalog no. **11232A45D**  
 Warranty **12~18 months**

Efficiency class **EFF 2**  
 Load data 100% 75% 50% 25%  
 Efficiency **92,2 91,6 89,6 83,0** %  
 Power factor **0,90 0,86 0,77 0,57**

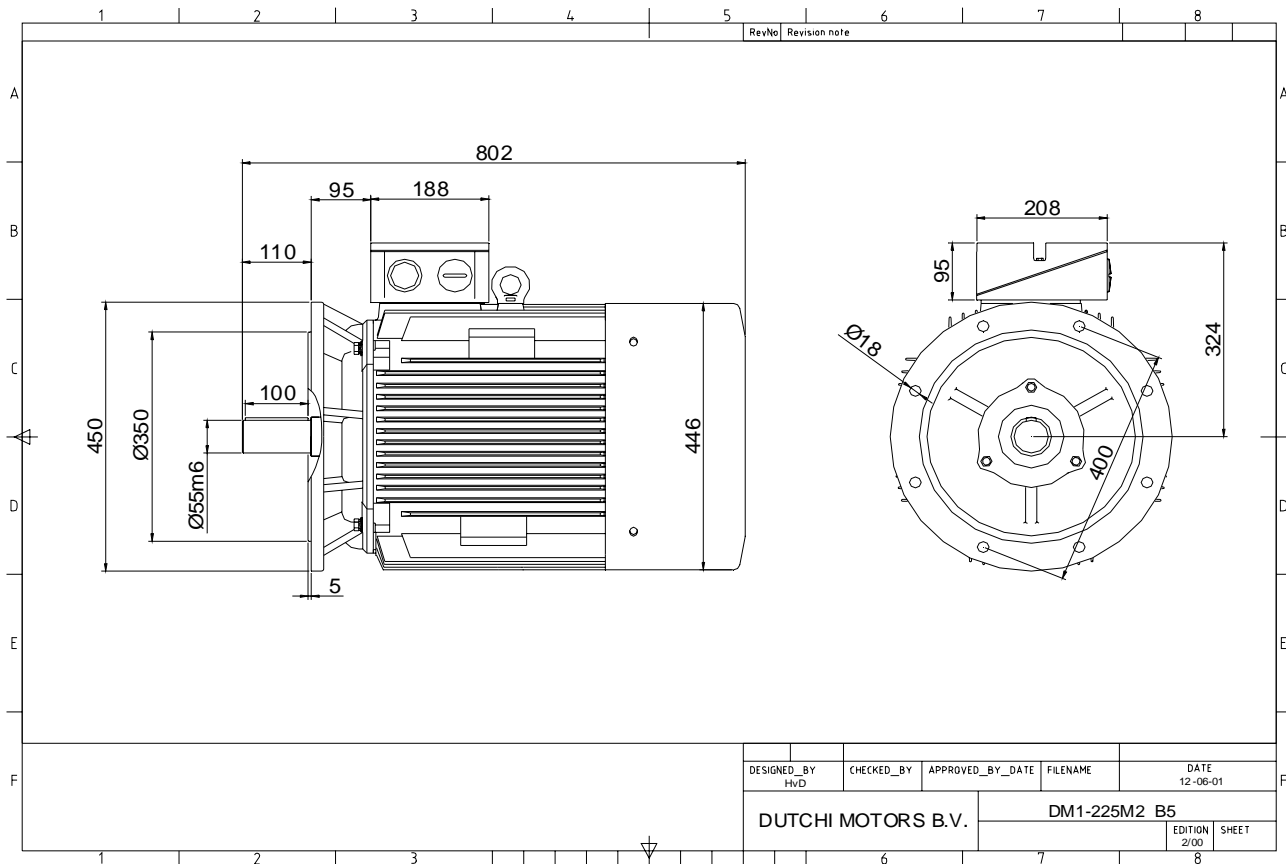
Sound pressure level (1m) **84,4** dB(A)  
 Resistance R20 (open) **0,126** Ω  
 Resistance R20 **Δ 0,084** Ω

Full load torque **145,19** Nm  
 DOL Starting torque vs FL torque **3,06**  
 DOL Pull up torque vs FL torque **2,15**  
 DOL Pull out torque vs FL torque **4,03**  
 Star-Delta Starting torque vs FL torque **0,96**  
 Star-Delta Pull up torque vs FL torque **0,67**  
 Star-Delta Pull out torque vs FL torque **1,26**  
 DOL Starting current vs FL current **8,76**  
 Star Delta Starting current vs FL current **2,74**  
 Rotor Inertia **0,2210** kgm2

Bearing DE **6313 - ZZ C3**  
 Bearing NDE **6313 - ZZ C3**


WI	Change	date	sign.
Dutchi Motors B.V.		Description	date
P.O. Box 5390		Drawing made by :	27-04-04
NL-6802 EJ ARNHEM			
Tel : +31-(0)26 - 3541 600		dutchi.motors@dutchi.nl	
Fax : +31-(0)26 - 3541 650		www.dutchi.com	

Power is our commodity, the world is our market !



Specification **IEC 60034-1**  
 Manufacturer **Dutchi Motors B.V.**  
 Motor type **DM1- 225 M2**  
 Rated power **45,00 kW S1** duty  
 Speed **2960** r.p.m  
 Voltage **400 / 690** V  
 Frequency **50** Hz  
 Connection **Δ / Y**  
 Amps full load **78,7 / 45,4** A  
 Amps no-load(400V) **26,63** A  
 Enclosure **IP 55**  
 Insulation Class **F (temp. rise B (80 K))**

Max. coolant temp. **40°C**  
 Max. altitude **1.000** mtr, above sea level  
 Comment **3 x PTC 150°C**  
 Cable entries **2 x M50x1,5 + 1 x M20x1,5 (ptc)**

Feature **Cast-iron motor**  
 Weight **297** kg  
 Catalog no. **11532A45D**  
 Warranty **12~18 months**

Efficiency class **EFF 2**  
 Load data 100% 75% 50% 25%  
 Efficiency **92,2 91,6 89,6 83,0** %  
 Power factor **0,90 0,86 0,77 0,57**

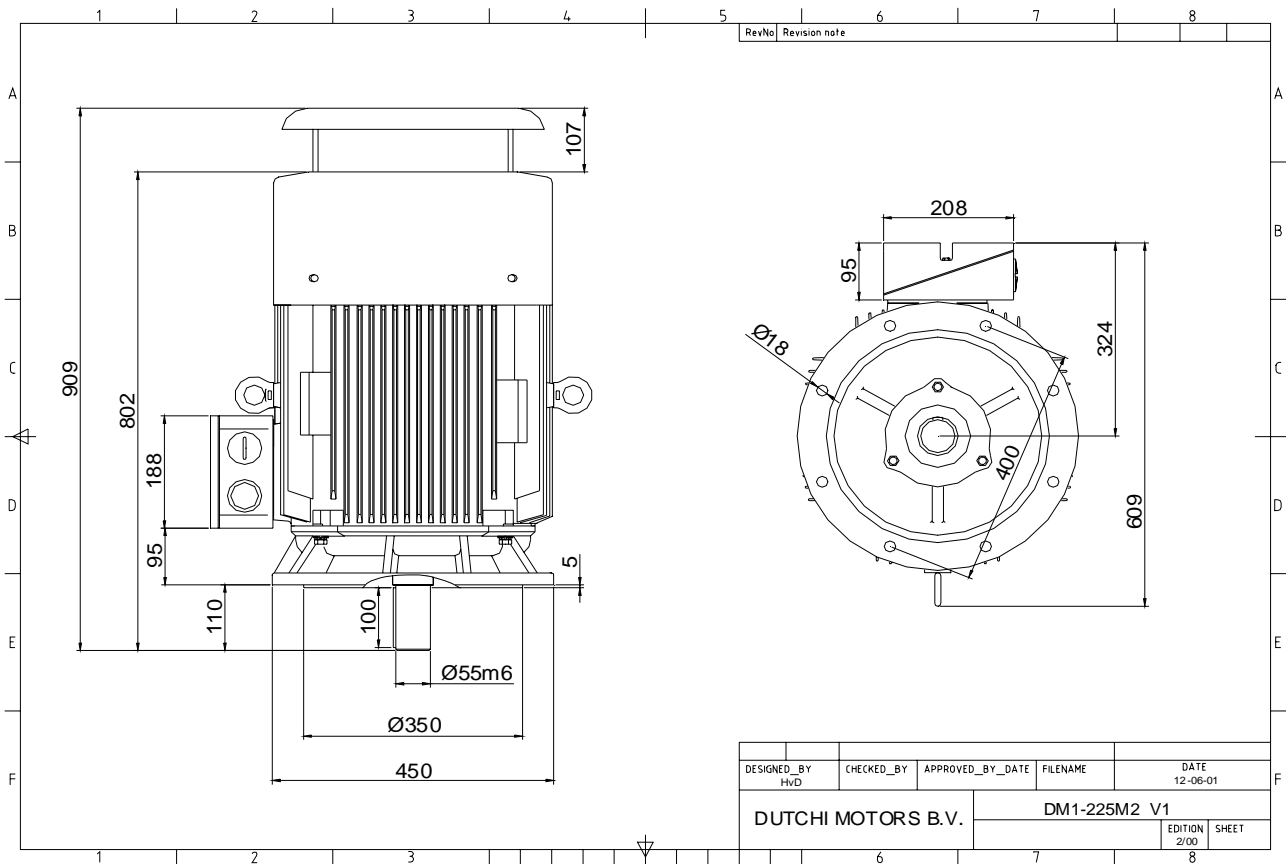
Sound pressure level (1m) **84,4** dB(A)  
 Resistance R20 (open) **0,126** Ω  
 Resistance R20 **Δ 0,084** Ω

Full load torque **145,19** Nm  
 DOL Starting torque vs FL torque **3,06**  
 DOL Pull up torque vs FL torque **2,15**  
 DOL Pull out torque vs FL torque **4,03**  
 Star-Delta Starting torque vs FL torque **0,96**  
 Star-Delta Pull up torque vs FL torque **0,67**  
 Star-Delta Pull out torque vs FL torque **1,26**  
 DOL Starting current vs FL current **8,76**  
 Star Delta Starting current vs FL current **2,74**  
 Rotor Inertia **0,2210** kgm2

Bearing DE **6313 - ZZ C3**  
 Bearing NDE **6313 - ZZ C3**


WI	Change	date	sign.
<b>Dutchi Motors B.V.</b> P.O. Box 5390 NL-6802 EJ ARNHEM Tel : +31-(0)26 - 3541 600 Fax : +31-(0)26 - 3541 650		Discription Drawing made by :	date 27-04-04 sign. HvD
dutchi.motors@dutchi.nl www.dutchi.com			

Power is our commodity, the world is our market !



DESIGNED_BY HVD	CHECKED_BY	APPROVED_BY_DATE	FILENAME	DATE 12-06-01
DUTCHI MOTORS B.V.			DM1-225M2 V1	
			EDITION 2/00	SHEET

Specification **IEC 60034-1**  
 Manufacturer **Dutchi Motors B.V.**  
 Motor type **DM1- 225 M2**  
 Rated power **45,00 kW S1** duty  
 Speed **2960** r.p.m  
 Voltage **400 / 690** V  
 Frequency **50** Hz  
 Connection **Δ / Y**  
 Amps full load **78,7 / 45,4** A  
 Amps no-load(400V) **26,63** A  
 Enclosure **IP 55**  
 Insulation Class **F (temp. rise B (80 K))**

Max. coolant temp. **40°C**  
 Max. altitude **1.000** mtr, above sea level  
 Comment **3 x PTC 150°C**  
 Cable entries **2 x M50x1,5 + 1 x M20x1,5 (ptc)**

Feature **Cast-iron motor**  
 Weight **297** kg  
 Catalog no. **11032A45D**  
 Warranty **12~18 months**

Efficiency class **EFF 2**  
 Load data 100% 75% 50% 25%  
 Efficiency **92,2 91,6 89,6 83,0** %  
 Power factor **0,90 0,86 0,77 0,57**

Sound pressure level (1m) **84,4** dB(A)  
 Resistance R20 (open) **0,126** Ω  
 Resistance R20 **0,084** Ω

Full load torque **145,19** Nm  
 DOL Starting torque vs FL torque **3,06**  
 DOL Pull up torque vs FL torque **2,15**  
 DOL Pull out torque vs FL torque **4,03**  
 Star-Delta Starting torque vs FL torque **0,96**  
 Star-Delta Pull up torque vs FL torque **0,67**  
 Star-Delta Pull out torque vs FL torque **1,26**  
 DOL Starting current vs FL current **8,76**  
 Star Delta Starting current vs FL current **2,74**  
 Rotor Inertia **0,2210** kgm<sup>2</sup>

Bearing DE **6313 - ZZ C3**  
 Bearing NDE **6313 - ZZ C3**


WI	Change	date	sign.
<b>Dutchi Motors B.V.</b> P.O. Box 5390 NL-6802 EJ ARNHEM Tel : +31-(0)26 - 3541 600 Fax : +31-(0)26 - 3541 650		Discription Drawing made by : 27-04-04	date sign. HVD
dutchi.motors@dutchi.nl www.dutchi.com			