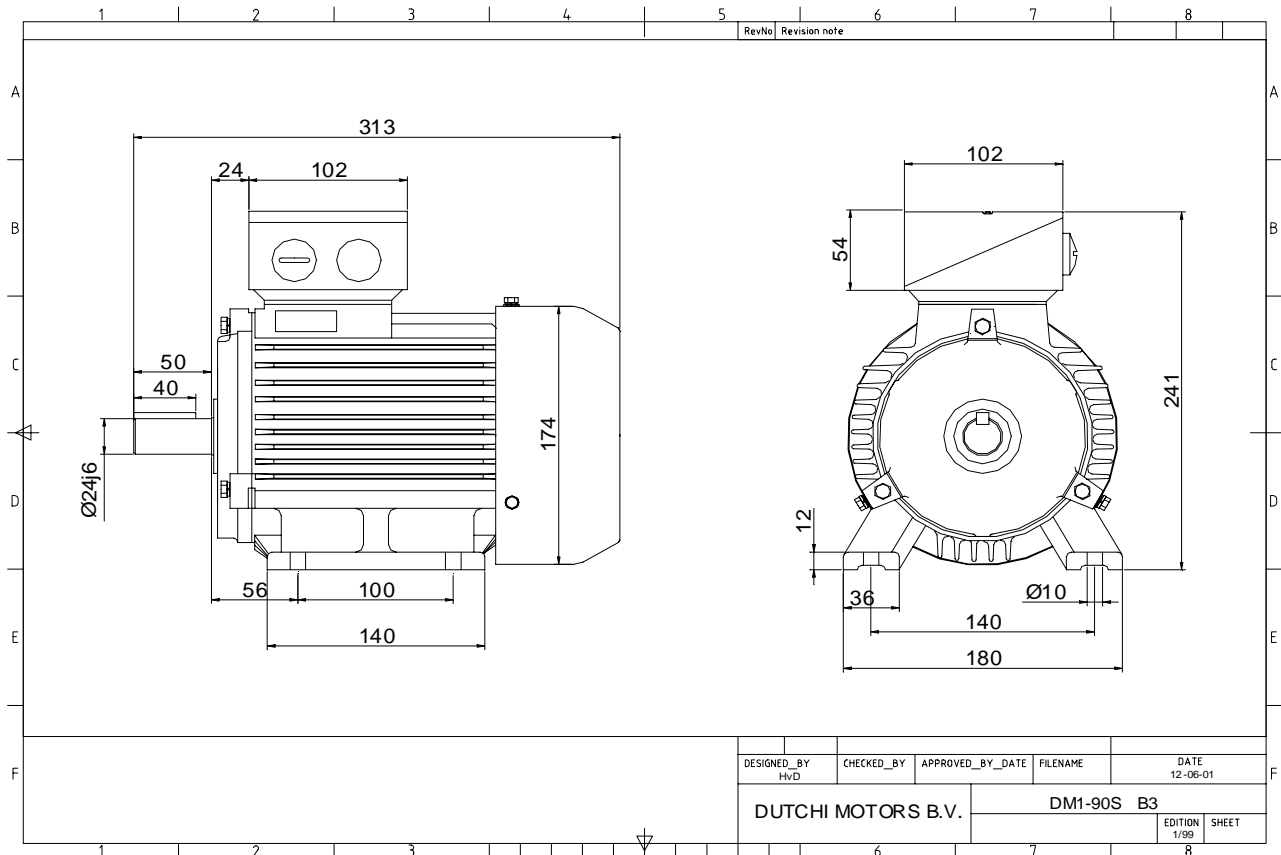


Power is our commodity, the world is our market !



Specification **IEC 60034-1**
 Manufacturer **Dutchi Motors B.V.**
 Motor type **DM1- 90 S4**
 Rated power **1,1** kW **S1** duty
 Speed **1390** r.p.m
 Voltage **230 / 400** V
 Frequency **50** Hz
 Connection **Δ / Y**
 Amps full load **4,60 / 2,66** A
 Amps no-load(400V) **1,62** A
 Enclosure **IP 55**
 Insulation Class **F (temp. rise B (80 K))**

Max. coolant temp. **40°C**
 Max. altitude **1.000** mtr, above sea level
 Comment **3 x PTC 150°C**
 Cable entries **2 x M25x1,5 + 1 x M16x1,5 (ptc)**

Feature **Cast-iron motor**
 Weight **22,0** kg
 Catalog no. **11124110D**
 Warranty **12~18 months**

Efficiency class **EFF 2**
 Load data 100% 75% 50% 25%
 Efficiency **76,2 76,7 73,9 61,8** %
 Power factor **0,78 0,71 0,58 0,37**

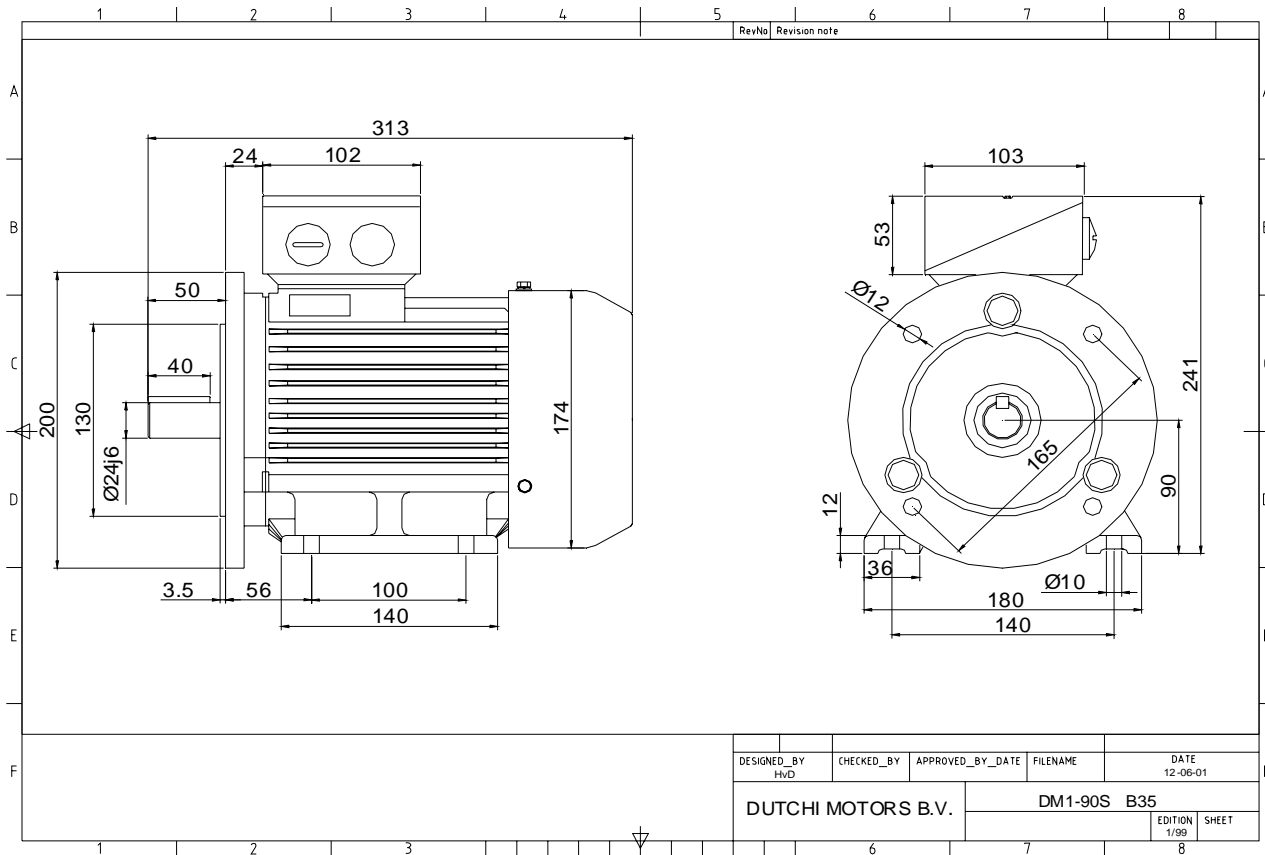
Sound pressure level (1m) **60,7** dB(A)
 Resistance R20 (open) **6,07** Ω
 Resistance R20 **Y 12,14** Ω

Full load torque **7,56** Nm
 DOL Starting torque vs FL torque **2,40**
 DOL Pull up torque vs FL torque **1,47**
 DOL Pull out torque vs FL torque **2,68**
 Star-Delta Starting torque vs FL torque **Y - motor**
 Star-Delta Pull up torque vs FL torque **Y - motor**
 Star-Delta Pull out torque vs FL torque **Y - motor**
 DOL Starting current vs FL current **5,26**
 Star Delta Starting current vs FL current **Y - motor**
 Rotor Inertia **0,0021** kgm2

Bearing DE **6205 - ZZ C3**
 Bearing NDE **6205 - ZZ C3**

WI	Change	date	sign.
Dutchi Motors B.V. P.O. Box 5390 NL-6802 EJ ARNHEM Tel : +31-(0)26 - 3541 600 Fax : +31-(0)26 - 3541 650		Description	date
		Drawing made by :	19-04-04
		dutchi.motors@dutchi.nl www.dutchi.com	

Power is our commodity, the world is our market !



Specification **IEC 60034-1**
 Manufacturer **Dutchi Motors B.V.**
 Motor type **DM1- 90 S4**
 Rated power **1,1** kW **S1** duty
 Speed **1390** r.p.m
 Voltage **230 / 400** V
 Frequency **50** Hz
 Connection **Δ / Y**
 Amps full load **4,60 / 2,66** A
 Amps no-load(400V) **1,62** A
 Enclosure **IP 55**
 Insulation Class **F (temp. rise B (80 K))**

Max. coolant temp. **40°C**
 Max. altitude **1.000** mtr, above sea level
 Comment **3 x PTC 150°C**
 Cable entries **2 x M25x1,5 + 1 x M16x1,5 (ptc)**

Feature **Cast-iron motor**
 Weight **22,0** kg
 Catalog no. **11524110D**
 Warranty **12~18 months**

Efficiency class **EFF 2**
 Load data 100% 75% 50% 25%
 Efficiency **76,2 76,7 73,9 61,8** %
 Power factor **0,78 0,71 0,58 0,37**

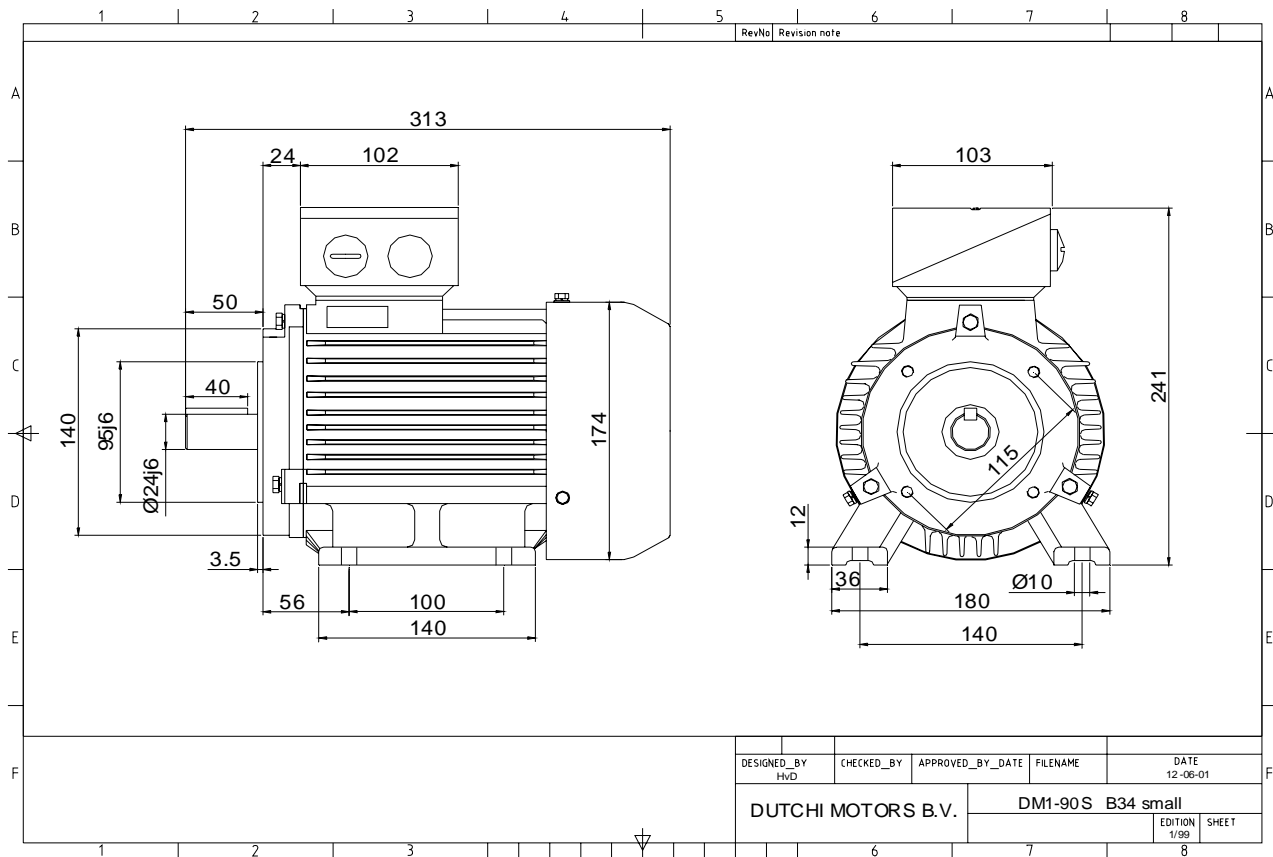
Sound pressure level (1m) **60,7** dB(A)
 Resistance R20 (open) **6,07** Ω
 Resistance R20 **Y 12,14** Ω

Full load torque **7,56** Nm
 DOL Starting torque vs FL torque **2,40**
 DOL Pull up torque vs FL torque **1,47**
 DOL Pull out torque vs FL torque **2,68**
 Star-Delta Starting torque vs FL torque **Y - motor**
 Star-Delta Pull up torque vs FL torque **Y - motor**
 Star-Delta Pull out torque vs FL torque **Y - motor**
 DOL Starting current vs FL current **5,26**
 Star Delta Starting current vs FL current **Y - motor**
 Rotor Inertia **0,0021** kgm2

Bearing DE **6205 - ZZ C3**
 Bearing NDE **6205 - ZZ C3**

WI	Change	date	sign.
Dutchi Motors B.V. P.O. Box 5390 NL-6802 EJ ARNHEM Tel : +31-(0)26 - 3541 600 Fax : +31-(0)26 - 3541 650		Discription Drawing made by :	date 19-04-04 sign. HvD
dutchi.motors@dutchi.nl www.dutchi.com			

Power is our commodity, the world is our market !



Specification **IEC 60034-1**
 Manufacturer **Dutchi Motors B.V.**
 Motor type **DM1- 90 S4**
 Rated power **1,1** kW **S1** duty
 Speed **1390** r.p.m
 Voltage **230 / 400** V
 Frequency **50** Hz
 Connection **Δ / Y**
 Amps full load **4,60 / 2,66** A
 Amps no-load(400V) **1,62** A
 Enclosure **IP 55**
 Insulation Class **F (temp. rise B (80 K))**

Max. coolant temp. **40°C**
 Max. altitude **1.000** mtr, above sea level
 Comment **3 x PTC 150°C**
 Cable entries **2 x M25x1,5 + 1 x M16x1,5 (ptc)**

Feature **Cast-iron motor**
 Weight **22,0** kg
 Catalog no. **11624110D**
 Warranty **12~18 months**

Efficiency class **EFF 2**
 Load data 100% 75% 50% 25%
 Efficiency **76,2 76,7 73,9 61,8** %
 Power factor **0,78 0,71 0,58 0,37**

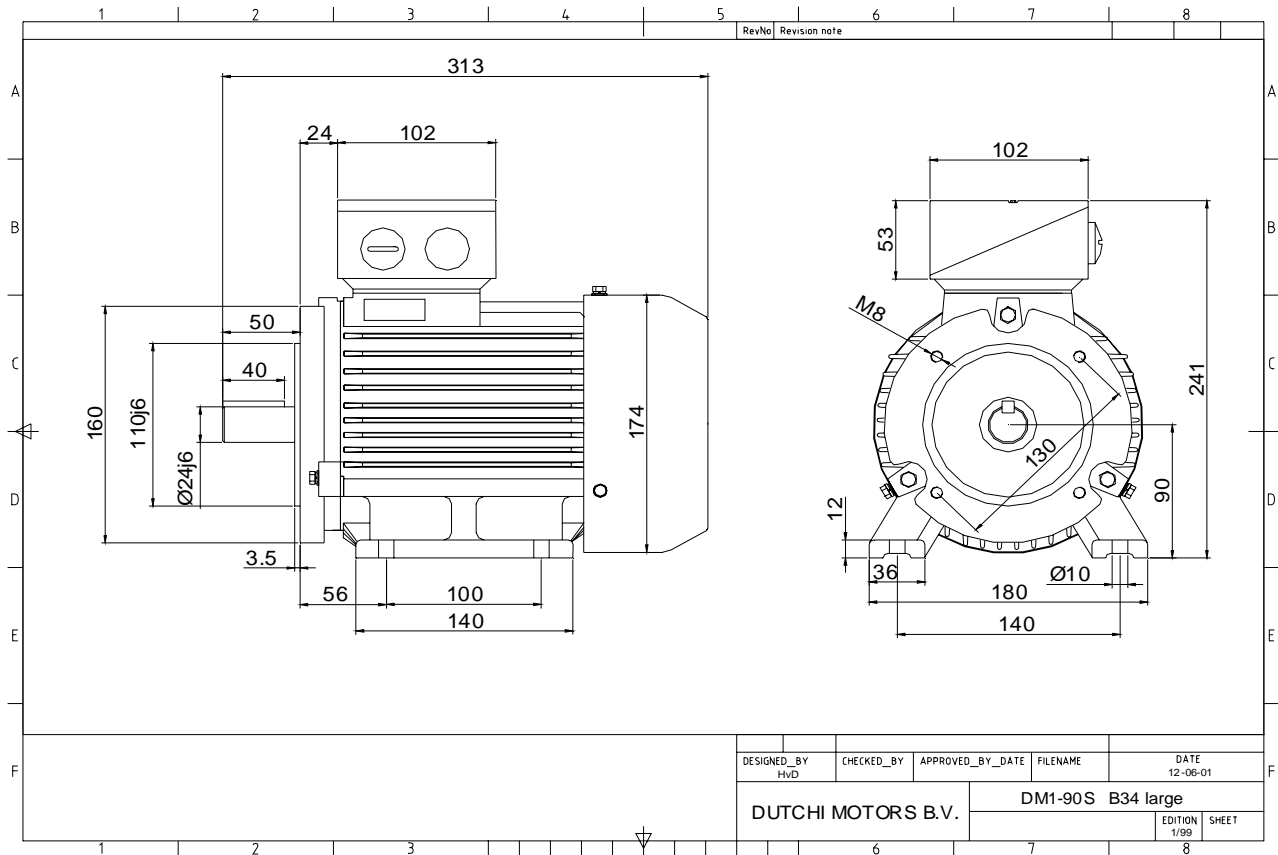
Sound pressure level (1m) **60,7** dB(A)
 Resistance R20 (open) **6,07** Ω
 Resistance R20 **Y 12,14** Ω

Full load torque **7,56** Nm
 DOL Starting torque vs FL torque **2,40**
 DOL Pull up torque vs FL torque **1,47**
 DOL Pull out torque vs FL torque **2,68**
 Star-Delta Starting torque vs FL torque **Y - motor**
 Star-Delta Pull up torque vs FL torque **Y - motor**
 Star-Delta Pull out torque vs FL torque **Y - motor**
 DOL Starting current vs FL current **5,26**
 Star Delta Starting current vs FL current **Y - motor**
 Rotor Inertia **0,0021** kgm²

Bearing DE **6205 - ZZ C3**
 Bearing NDE **6205 - ZZ C3**

WI	Change	date	sign.
Dutchi Motors B.V. P.O. Box 5390 NL-6802 EJ ARNHEM Tel : +31-(0)26 - 3541 600 Fax : +31-(0)26 - 3541 650		Discription Drawing made by :	date 19-04-04 sign. HvD
dutchi.motors@dutchi.nl www.dutchi.com			

Power is our commodity, the world is our market !



Specification **IEC 60034-1**
 Manufacturer **Dutchi Motors B.V.**
 Motor type **DM1- 90 S4**
 Rated power **1,1** kW **S1** duty
 Speed **1390** r.p.m
 Voltage **230 / 400** V
 Frequency **50** Hz
 Connection **Δ / Y**
 Amps full load **4,60 / 2,66** A
 Amps no-load(400V) **1,62** A
 Enclosure **IP 55**
 Insulation Class **F (temp. rise B (80 K))**

Max. coolant temp. **40°C**
 Max. altitude **1.000** mtr, above sea level
 Comment **3 x PTC 150°C**
 Cable entries **2 x M25x1,5 + 1 x M16x1,5 (ptc)**

Feature **Cast-iron motor**
 Weight **22,0** kg
 Catalog no. **11724110D**
 Warranty **12~18 months**

Efficiency class **EFF 2**
 Load data 100% 75% 50% 25%
 Efficiency **76,2 76,7 73,9 61,8** %
 Power factor **0,78 0,71 0,58 0,37**

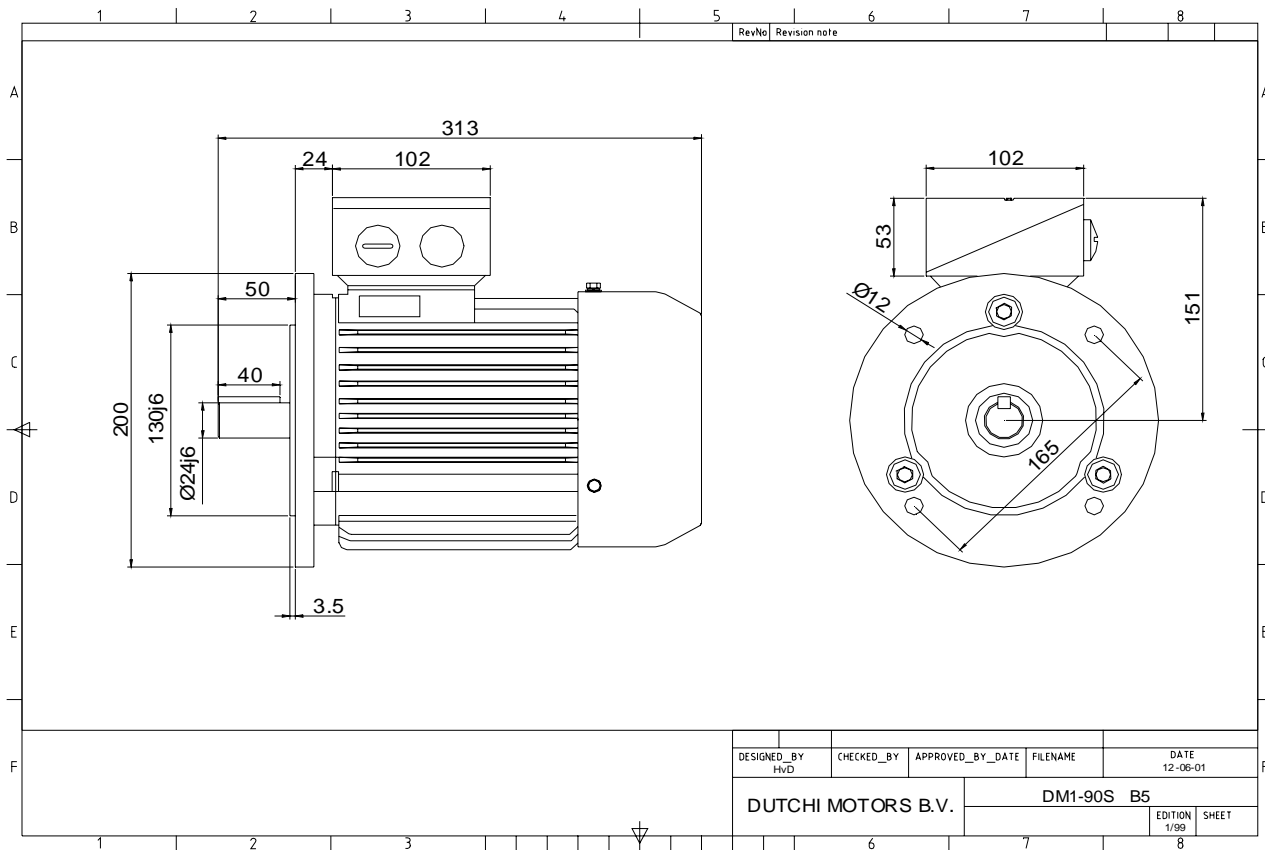
Sound pressure level (1m) **60,7** dB(A)
 Resistance R20 (open) **6,07** Ω
 Resistance R20 **Y 12,14** Ω

Full load torque **7,56** Nm
 DOL Starting torque vs FL torque **2,40**
 DOL Pull up torque vs FL torque **1,47**
 DOL Pull out torque vs FL torque **2,68**
 Star-Delta Starting torque vs FL torque **Y - motor**
 Star-Delta Pull up torque vs FL torque **Y - motor**
 Star-Delta Pull out torque vs FL torque **Y - motor**
 DOL Starting current vs FL current **5,26**
 Star Delta Starting current vs FL current **Y - motor**
 Rotor Inertia **0,0021** kgm2

Bearing DE **6205 - ZZ C3**
 Bearing NDE **6205 - ZZ C3**

WI	Change	date	sign.
Dutchi Motors B.V.		Description	date
P.O. Box 5390		Drawing made by :	19-04-04
NL-6802 EJ ARNHEM			
Tel : +31-(0)26 - 3541 600		dutchi.motors@dutchi.nl	
Fax : +31-(0)26 - 3541 650		www.dutchi.com	

Power is our commodity, the world is our market !



DESIGNED_BY HvD	CHECKED_BY	APPROVED_BY_DATE	FILENAME	DATE 12-06-01
DUTCHI MOTORS B.V.		DM1-90S B5		EDITION 1/00
				SHEET

Specification **IEC 60034-1**
 Manufacturer **Dutchi Motors B.V.**
 Motor type **DM1- 90 S4**
 Rated power **1,1** kW **S1** duty
 Speed **1390** r.p.m
 Voltage **230 / 400** V
 Frequency **50** Hz
 Connection **Δ / Y**
 Amps full load **4,60 / 2,66** A
 Amps no-load(400V) **1,62** A
 Enclosure **IP 55**
 Insulation Class **F (temp. rise B (80 K))**

Max. coolant temp. **40°C**
 Max. altitude **1.000** mtr, above sea level
 Comment **3 x PTC 150°C**
 Cable entries **2 x M25x1,5 + 1 x M16x1,5 (ptc)**

Feature **Cast-iron motor**
 Weight **22,0** kg
 Catalog no. **11224110D**
 Warranty **12~18 months**

Efficiency class **EFF 2**
 Load data 100% 75% 50% 25%
 Efficiency **76,2 76,7 73,9 61,8** %
 Power factor **0,78 0,71 0,58 0,37**

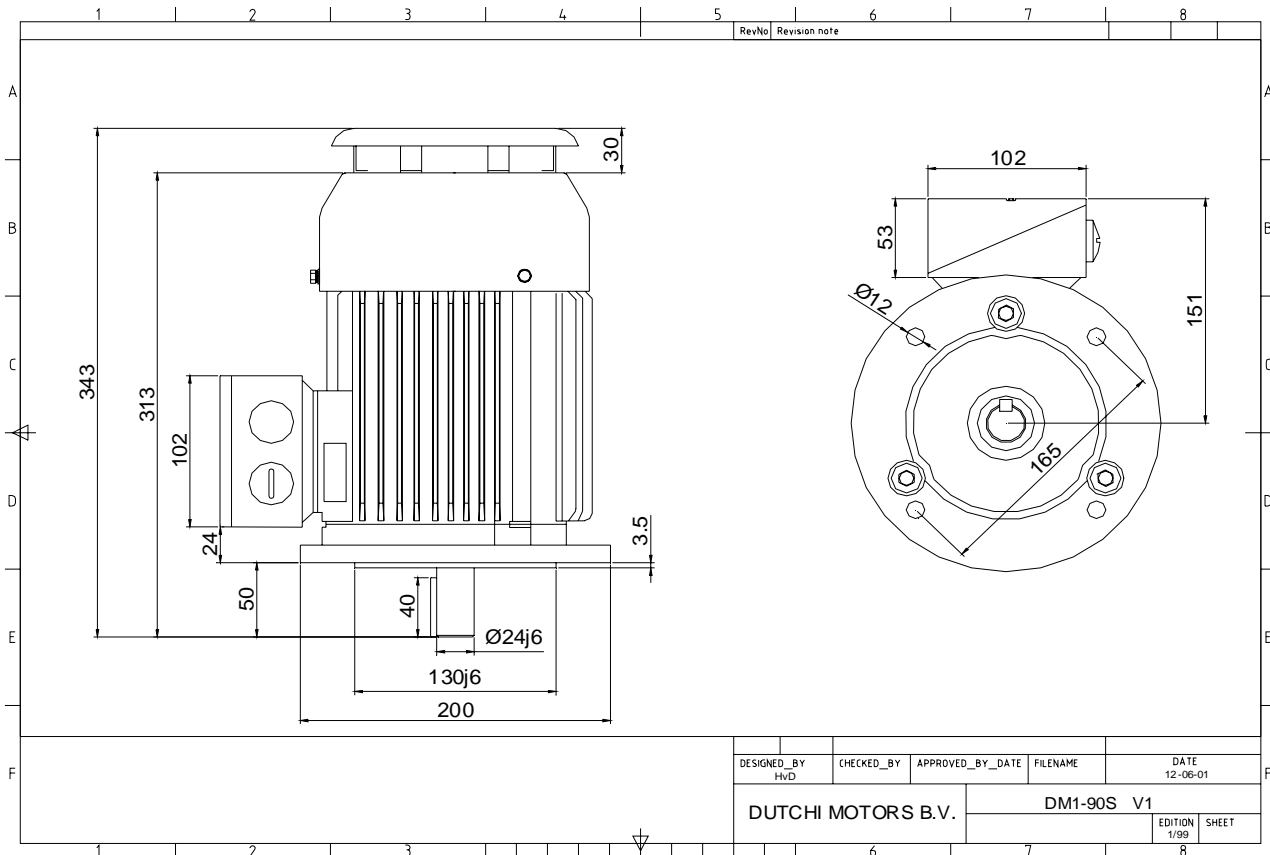
Sound pressure level (1m) **60,7** dB(A)
 Resistance R20 (open) **6,07** Ω
 Resistance R20 **Y 12,14** Ω

Full load torque **7,56** Nm
 DOL Starting torque vs FL torque **2,40**
 DOL Pull up torque vs FL torque **1,47**
 DOL Pull out torque vs FL torque **2,68**
 Star-Delta Starting torque vs FL torque **Y - motor**
 Star-Delta Pull up torque vs FL torque **Y - motor**
 Star-Delta Pull out torque vs FL torque **Y - motor**
 DOL Starting current vs FL current **5,26**
 Star Delta Starting current vs FL current **Y - motor**
 Rotor Inertia **0,0021** kgm²

Bearing DE **6205 - ZZ C3**
 Bearing NDE **6205 - ZZ C3**

WI	Change	date	sign.
Dutchi Motors B.V.		Description	date
P.O. Box 5390		Drawing made by :	19-04-04
NL-6802 EJ ARNHEM			
Tel : +31-(0)26 - 3541 600		dutchi.motors@dutchi.nl	
Fax : +31-(0)26 - 3541 650		www.dutchi.com	

Power is our commodity, the world is our market !



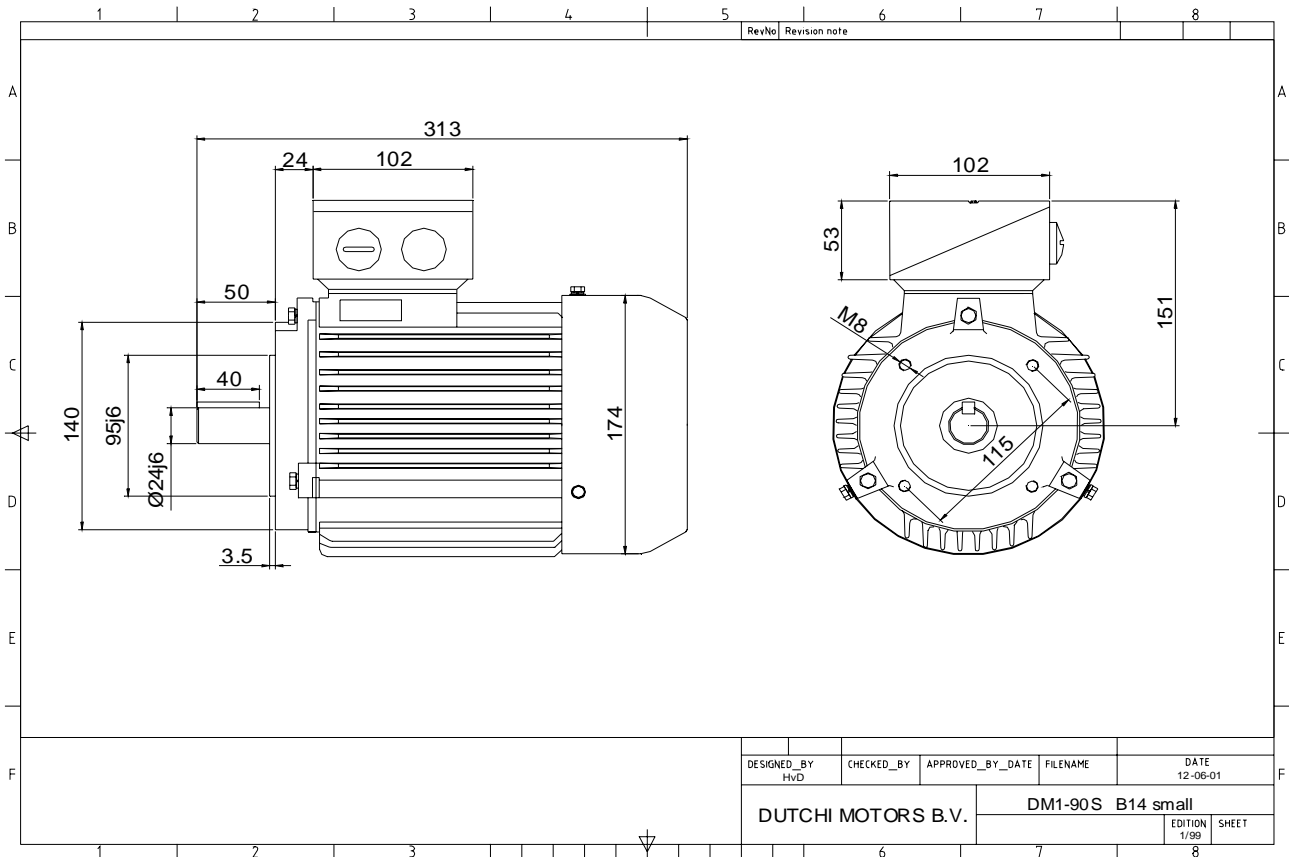
DESIGNED_BY HvD	CHECKED_BY	APPROVED_BY_DATE	FILENAME	DATE 12-06-01
DUTCHI MOTORS B.V.			DM1-90S V1	EDITION 1/99
				SHEET

Specification	IEC 60034-1
Manufacturer	Dutchi Motors B.V.
Motor type	DM1- 90 S4
Rated power	1,1 kW S1 duty
Speed	1390 r.p.m
Voltage	230 / 400 V
Frequency	50 Hz
Connection	Δ / Y
Amps full load	4,60 / 2,66 A
Amps no-load(400V)	1,62 A
Enclosure	IP 55
Insulation Class	F (temp. rise B (80 K))
Max. coolant temp.	40°C
Max. altitude	1.000 mtr, above sea level
Comment	3 x PTC 150°C
Cable entries	2 x M25x1,5 + 1 x M16x1,5 (ptc)
Feature	Cast-iron motor
Weight	22,0 kg
Catalog no.	11024110D
Warranty	12~18 months

Efficiency class	EFF 2
Load data	100% 75% 50% 25%
Efficiency	76,2 76,7 73,9 61,8 %
Power factor	0,78 0,71 0,58 0,37
Sound pressure level (1m)	60,7 dB(A)
Resistance R20 (open)	6,07 Ω
Resistance R20	Y 12,14 Ω
Full load torque	7,56 Nm
DOL Starting torque vs FL torque	2,40
DOL Pull up torque vs FL torque	1,47
DOL Pull out torque vs FL torque	2,68
Star-Delta Starting torque vs FL torque	Y - motor
Star-Delta Pull up torque vs FL torque	Y - motor
Star-Delta Pull out torque vs FL torque	Y - motor
DOL Starting current vs FL current	5,26
Star Delta Starting current vs FL current	Y - motor
Rotor Inertia	0,0021 kgm ²
Bearing DE	6205 - ZZ C3
Bearing NDE	6205 - ZZ C3

WI	Change	date	sign.
Dutchi Motors B.V. P.O. Box 5390 NL-6802 EJ ARNHEM Tel : +31-(0)26 - 3541 600 Fax : +31-(0)26 - 3541 650		Discription Drawing made by :	date 19-04-04 sign. HvD
dutchi.motors@dutchi.nl www.dutchi.com			

Power is our commodity, the world is our market !



Specification **IEC 60034-1**
 Manufacturer **Dutchi Motors B.V.**
 Motor type **DM1- 90 S4**
 Rated power **1,1** kW **S1** duty
 Speed **1390** r.p.m
 Voltage **230 / 400** V
 Frequency **50** Hz
 Connection **Δ / Y**
 Amps full load **4,60 / 2,66** A
 Amps no-load(400V) **1,62** A
 Enclosure **IP 55**
 Insulation Class **F (temp. rise B (80 K))**

Max. coolant temp. **40°C**
 Max. altitude **1.000** mtr, above sea level
 Comment **3 x PTC 150°C**
 Cable entries **2 x M25x1,5 + 1 x M16x1,5 (ptc)**

Feature **Cast-iron motor**
 Weight **22,0** kg
 Catalog no. **11324110D**
 Warranty **12~18 months**

Efficiency class **EFF 2**
 Load data 100% 75% 50% 25%
 Efficiency **76,2 76,7 73,9 61,8** %
 Power factor **0,78 0,71 0,58 0,37**

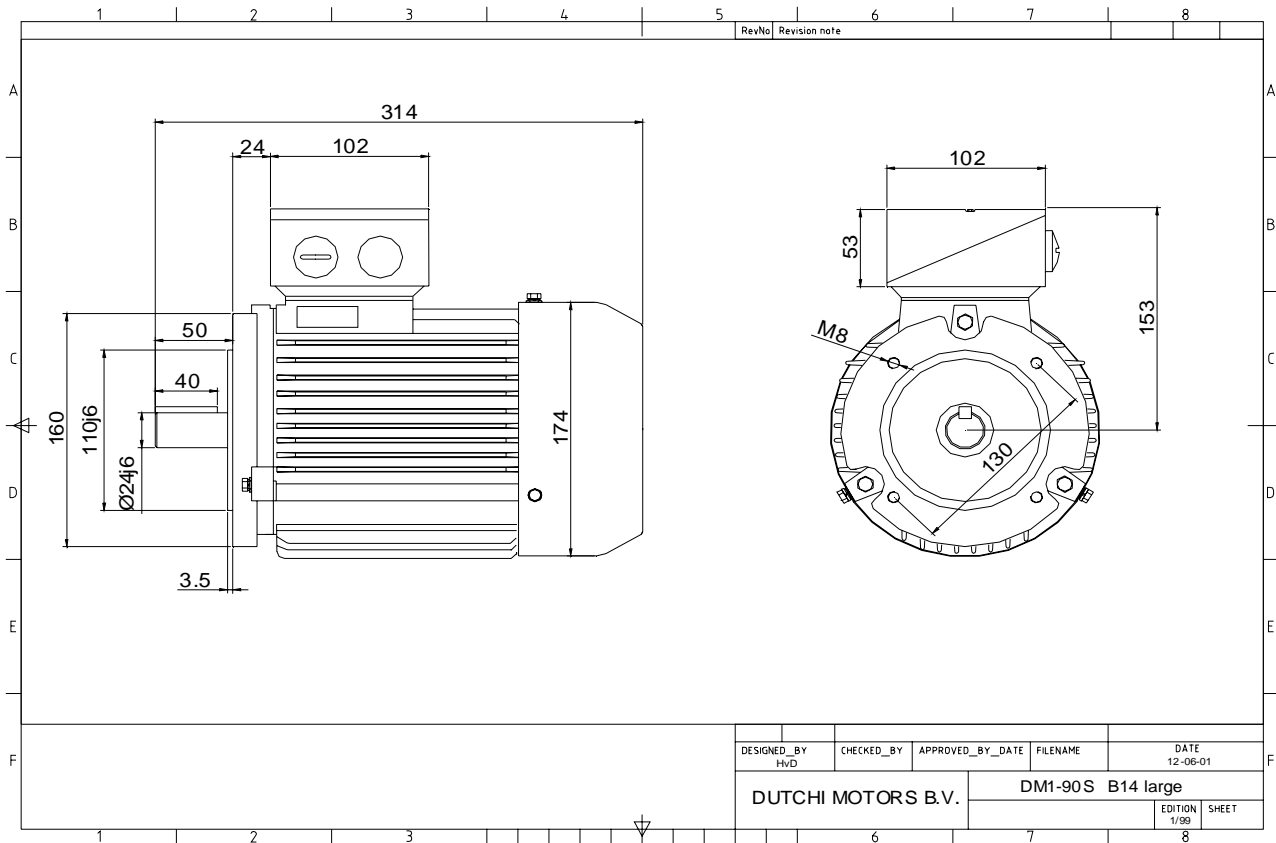
Sound pressure level (1m) **60,7** dB(A)
 Resistance R20 (open) **6,07** Ω
 Resistance R20 **Y 12,14** Ω

Full load torque **7,56** Nm
 DOL Starting torque vs FL torque **2,40**
 DOL Pull up torque vs FL torque **1,47**
 DOL Pull out torque vs FL torque **2,68**
 Star-Delta Starting torque vs FL torque **Y - motor**
 Star-Delta Pull up torque vs FL torque **Y - motor**
 Star-Delta Pull out torque vs FL torque **Y - motor**
 DOL Starting current vs FL current **5,26**
 Star Delta Starting current vs FL current **Y - motor**
 Rotor Inertia **0,0021** kgm²

Bearing DE **6205 - ZZ C3**
 Bearing NDE **6205 - ZZ C3**

WI	Change	date	sign.
Dutchi Motors B.V. P.O. Box 5390 NL-6802 EJ ARNHEM Tel : +31-(0)26 - 3541 600 Fax : +31-(0)26 - 3541 650		Description	date
		Drawing made by :	19-04-04
		dutchi.motors@dutchi.nl www.dutchi.com	

Power is our commodity, the world is our market !



Specification **IEC 60034-1**
 Manufacturer **Dutchi Motors B.V.**
 Motor type **DM1- 90 S4**
 Rated power **1,1** kW **S1** duty
 Speed **1390** r.p.m
 Voltage **230 / 400** V
 Frequency **50** Hz
 Connection **Δ / Y**
 Amps full load **4,60 / 2,66** A
 Amps no-load(400V) **1,62** A
 Enclosure **IP 55**
 Insulation Class **F (temp. rise B (80 K))**

Max. coolant temp. **40°C**
 Max. altitude **1.000** mtr, above sea level
 Comment **3 x PTC 150°C**
 Cable entries **2 x M25x1,5 + 1 x M16x1,5 (ptc)**

Feature **Cast-iron motor**
 Weight **22,0** kg
 Catalog no. **11424110D**
 Warranty **12~18 months**

Efficiency class **EFF 2**
 Load data 100% 75% 50% 25%
 Efficiency **76,2 76,7 73,9 61,8** %
 Power factor **0,78 0,71 0,58 0,37**

Sound pressure level (1m) **60,7** dB(A)
 Resistance R20 (open) **6,07** Ω
 Resistance R20 **Y 12,14** Ω

Full load torque **7,56** Nm
 DOL Starting torque vs FL torque **2,40**
 DOL Pull up torque vs FL torque **1,47**
 DOL Pull out torque vs FL torque **2,68**
 Star-Delta Starting torque vs FL torque **Y - motor**
 Star-Delta Pull up torque vs FL torque **Y - motor**
 Star-Delta Pull out torque vs FL torque **Y - motor**
 DOL Starting current vs FL current **5,26**
 Star Delta Starting current vs FL current **Y - motor**
 Rotor Inertia **0,0021** kgm²

Bearing DE **6205 - ZZ C3**
 Bearing NDE **6205 - ZZ C3**

WI	Change	date	sign.
Dutchi Motors B.V.		Description	date
P.O. Box 5390		Drawing made by :	19-04-04
NL-6802 EJ ARNHEM			
Tel : +31-(0)26 - 3541 600		dutchi.motors@dutchi.nl	
Fax : +31-(0)26 - 3541 650		www.dutchi.com	