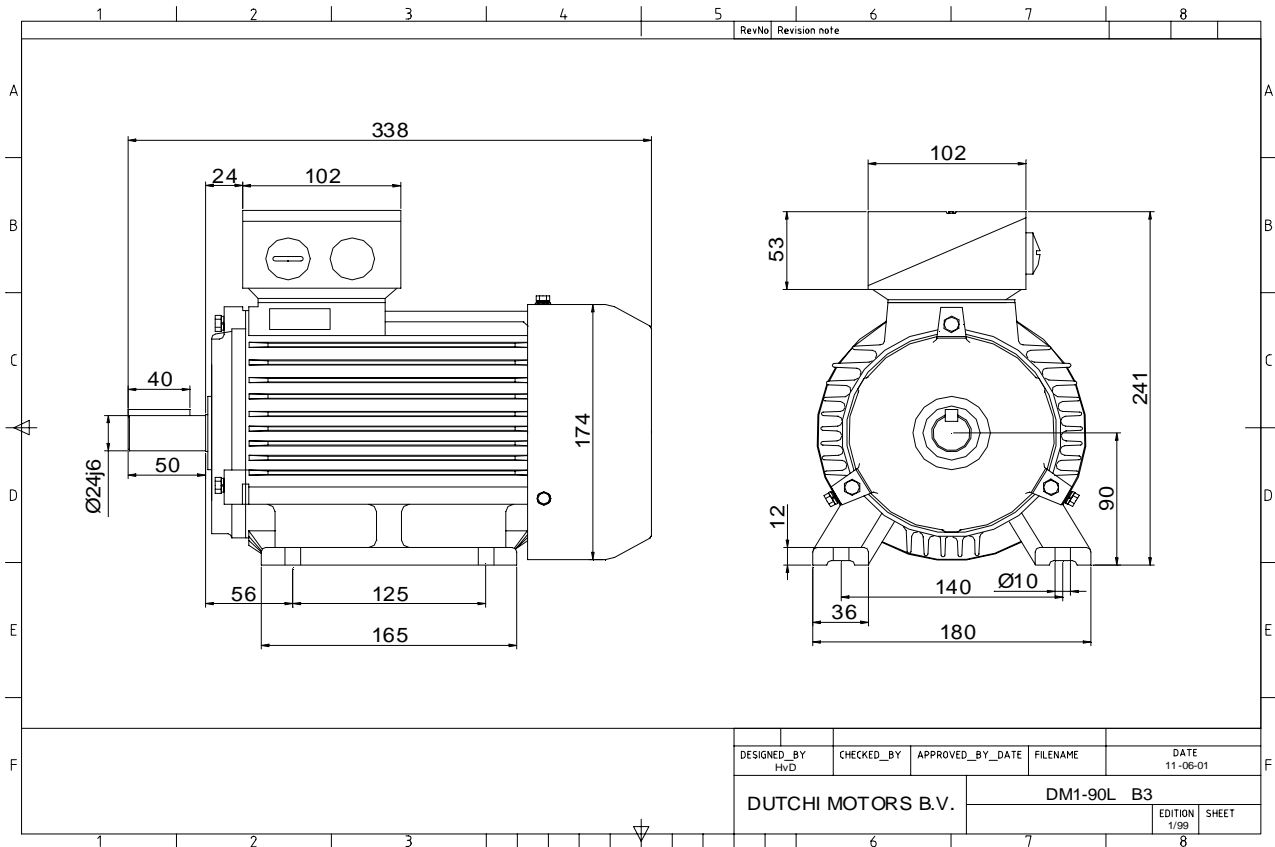


Power is our commodity, the world is our market !



Specification **IEC 60034-1**
 Manufacturer **Dutchi Motors B.V.**
 Motor type **DM1-HE 90L4**
 Rated power **1,50** kW **S1** duty
 Speed **1390** r.p.m
 Voltage **230** / **400** V
 Frequency **50** Hz
 Connection **Δ** / **Y**
 Amps full load **5,5** / **3,2** A
 Amps no-load(400V) **2,00** A
 Enclosure **IP 55**
 Insulation Class **F (temp. rise B (80 K))**

Max. coolant temp. **40°C**
 Max. altitude **1.000** mtr, above sea level
 Comment **3 x PTC 150°C**
 Cable entries **2 x M25x1,5 + 1 x M20x1,5 (ptc)**

Feature **Cast-iron motor**
 Weight **kg**
 Catalog no. **11124150DH**
 Warranty **12~18 months**

Efficiency class **EFF 1**
 Load data 100% 75% 50% 25%
 Efficiency **85,3 86,2 85,4 80,1** %
 Power factor **0,79 0,70 0,55 0,36**

Sound pressure level (1m) **48,0** dB(A)
 Resistance R20 (open) **3,262** Ω
 Resistance R20 **Y 6,524** Ω

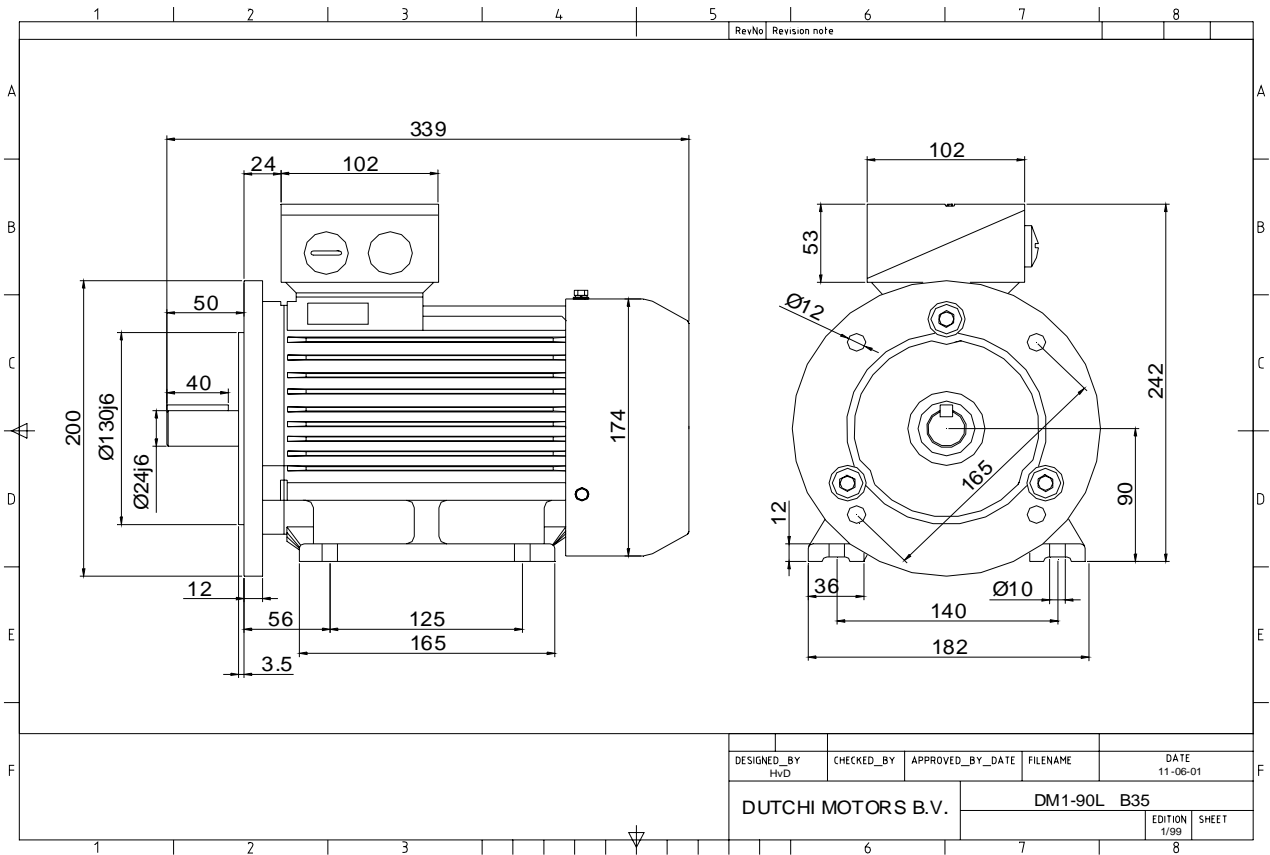
Full load torque **10** Nm
 DOL Starting torque vs FL torque **3,20**
 DOL Pull up torque vs FL torque **1,96**
 DOL Pull out torque vs FL torque **3,35**
 Star-Delta Starting torque vs FL torque **Y - motor**
 Star-Delta Pull up torque vs FL torque **Y - motor**
 Star-Delta Pull out torque vs FL torque **Y - motor**
 DOL Starting current vs FL current **7,14**
 Star Delta Starting current vs FL current **Y - motor**

Rotor Inertia **kgm2**

Bearing DE **6205 - ZZ**
 Bearing NDE **6205 - ZZ**

WI	Change	date	sign.
Dutchi Motors B.V. P.O. Box 5390 NL-6802 EJ ARNHEM Tel : +31-(0)26 - 3541 600 Fax : +31-(0)26 - 3541 650		Description	date
		Drawing made by :	27-04-04
		dutchi.motors@dutchi.nl www.dutchi.com	

Power is our commodity, the world is our market !



Specification **IEC 60034-1**
 Manufacturer **Dutchi Motors B.V.**
 Motor type **DM1-HE 90L4**
 Rated power **1,50** kW **S1** duty
 Speed **1390** r.p.m
 Voltage **230** / **400** V
 Frequency **50** Hz
 Connection **Δ** / **Y**
 Amps full load **5,5** / **3,2** A
 Amps no-load(400V) **2,00** A
 Enclosure **IP 55**
 Insulation Class **F (temp. rise B (80 K))**

Max. coolant temp. **40°C**
 Max. altitude **1.000** mtr, above sea level
 Comment **3 x PTC 150°C**
 Cable entries **2 x M25x1,5 + 1 x M20x1,5 (ptc)**

Feature **Cast-iron motor**
 Weight **kg**
 Catalog no. **11524150DH**
 Warranty **12~18 months**

Efficiency class **EFF 1**
 Load data 100% 75% 50% 25%
 Efficiency **85,3 86,2 85,4 80,1** %
 Power factor **0,79 0,70 0,55 0,36**

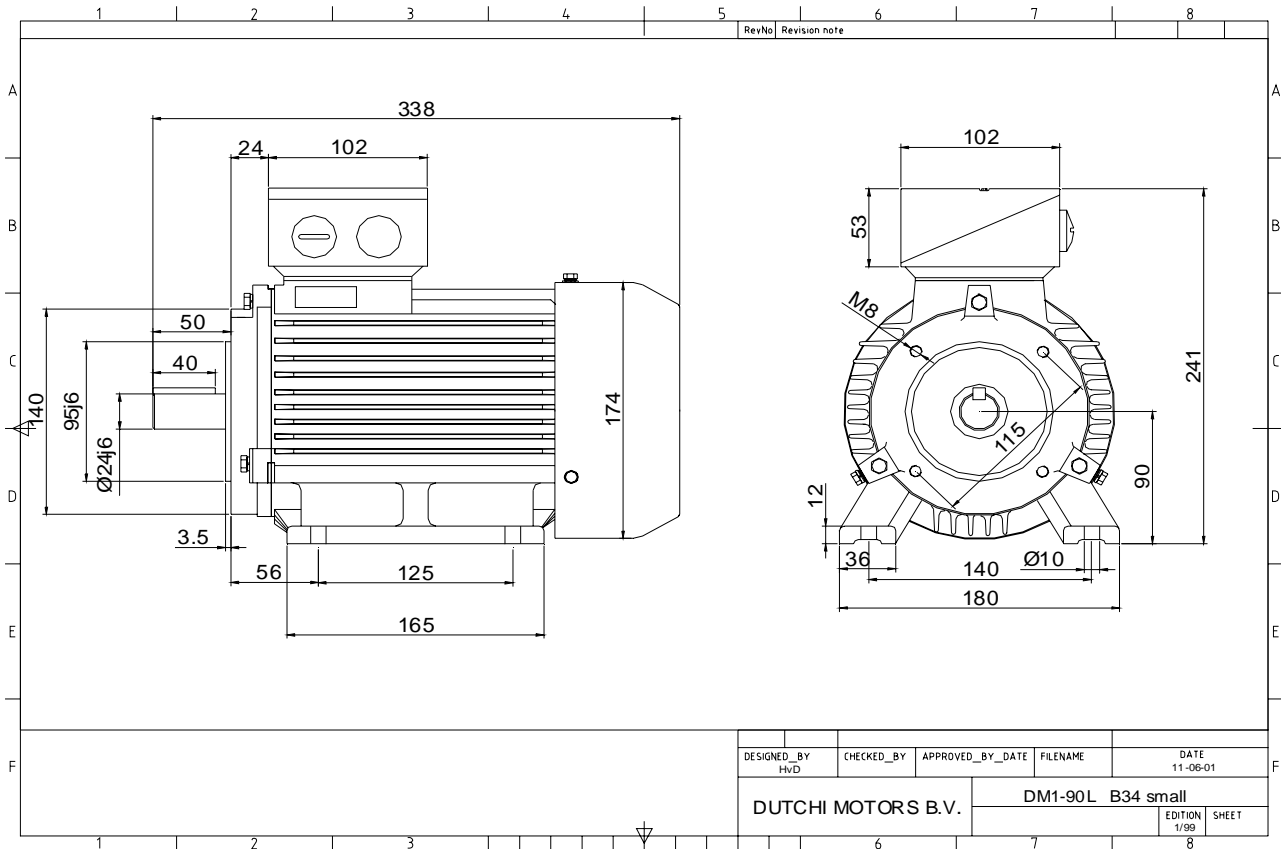
Sound pressure level (1m) **48,0** dB(A)
 Resistance R20 (open) **3,262** Ω
 Resistance R20 **Y 6,524** Ω

Full load torque **10** Nm
 DOL Starting torque vs FL torque **3,20**
 DOL Pull up torque vs FL torque **1,96**
 DOL Pull out torque vs FL torque **3,35**
 Star-Delta Starting torque vs FL torque **Y - motor**
 Star-Delta Pull up torque vs FL torque **Y - motor**
 Star-Delta Pull out torque vs FL torque **Y - motor**
 DOL Starting current vs FL current **7,14**
 Star Delta Starting current vs FL current **Y - motor**
 Rotor Inertia **kgm2**

Bearing DE **6205 - ZZ**
 Bearing NDE **6205 - ZZ**

WI	Change	date	sign.
Dutchi Motors B.V.		Description	date
P.O. Box 5390		Drawing made by :	27-04-04
NL-6802 EJ ARNHEM			
Tel : +31-(0)26 - 3541 600		dutchi.motors@dutchi.nl	
Fax : +31-(0)26 - 3541 650		www.dutchi.com	

Power is our commodity, the world is our market !



Specification **IEC 60034-1**
 Manufacturer **Dutchi Motors B.V.**
 Motor type **DM1-HE 90L4**
 Rated power **1,50** kW **S1** duty
 Speed **1390** r.p.m
 Voltage **230 / 400** V
 Frequency **50** Hz
 Connection **Δ / Y**
 Amps full load **5,5 / 3,2** A
 Amps no-load(400V) **2,00** A
 Enclosure **IP 55**
 Insulation Class **F (temp. rise B (80 K))**

Max. coolant temp. **40°C**
 Max. altitude **1.000** mtr, above sea level
 Comment **3 x PTC 150°C**
 Cable entries **2 x M25x1,5 + 1 x M20x1,5 (ptc)**

Feature **Cast-iron motor**
 Weight **kg**
 Catalog no. **11624150DH**
 Warranty **12~18 months**

Efficiency class **EFF 1**
 Load data 100% 75% 50% 25%
 Efficiency **85,3 86,2 85,4 80,1** %
 Power factor **0,79 0,70 0,55 0,36**

Sound pressure level (1m) **48,0** dB(A)
 Resistance R20 (open) **3,262** Ω
 Resistance R20 **Y 6,524** Ω

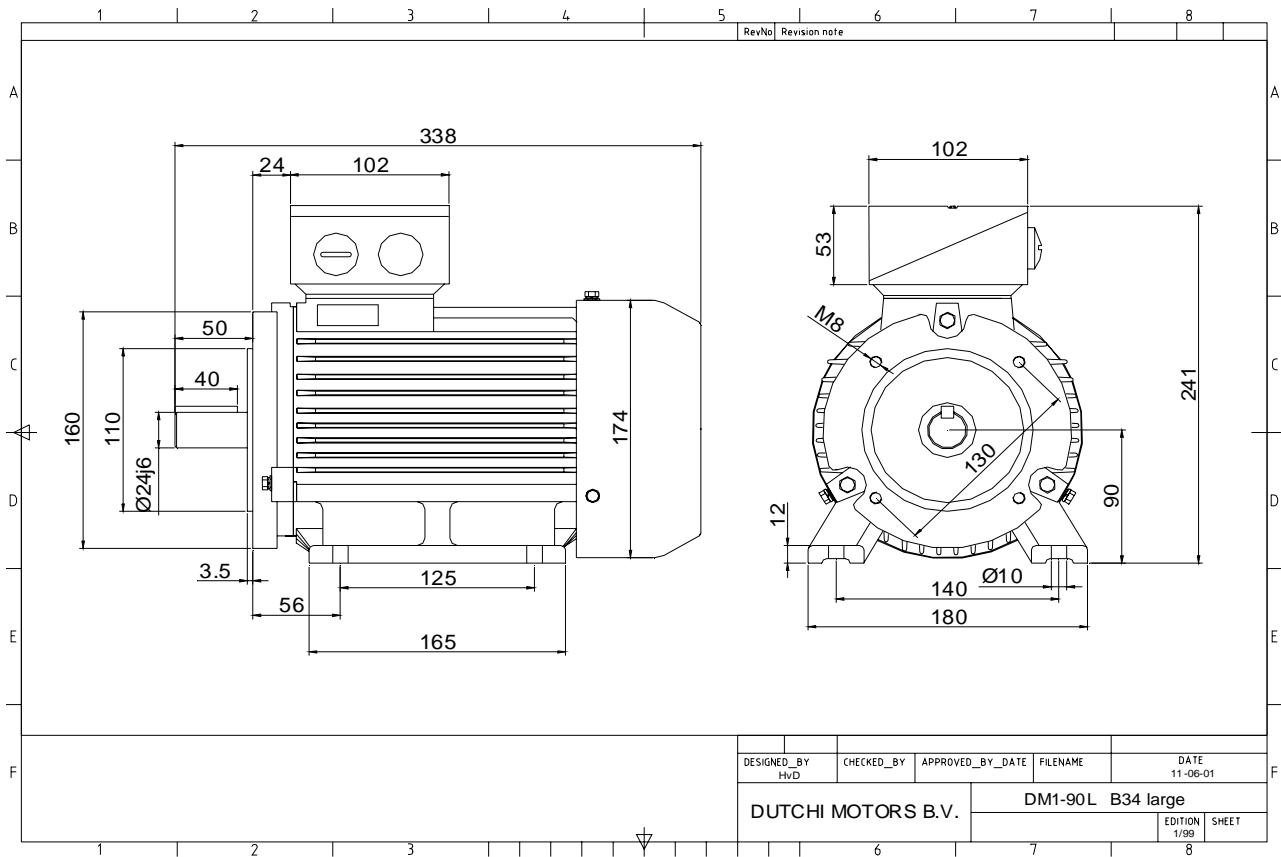
Full load torque **10** Nm
 DOL Starting torque vs FL torque **3,20**
 DOL Pull up torque vs FL torque **1,96**
 DOL Pull out torque vs FL torque **3,35**
 Star-Delta Starting torque vs FL torque **Y - motor**
 Star-Delta Pull up torque vs FL torque **Y - motor**
 Star-Delta Pull out torque vs FL torque **Y - motor**
 DOL Starting current vs FL current **7,14**
 Star Delta Starting current vs FL current **Y - motor**

Rotor Inertia **kgm2**

Bearing DE **6205 - ZZ**
 Bearing NDE **6205 - ZZ**

WI	Change	date	sign.
Dutchi Motors B.V. P.O. Box 5390 NL-6802 EJ ARNHEM Tel : +31-(0)26 - 3541 600 Fax : +31-(0)26 - 3541 650		Description	date
		Drawing made by :	27-04-04
		dutchi.motors@dutchi.nl www.dutchi.com	

Power is our commodity, the world is our market !



Specification **IEC 60034-1**
 Manufacturer **Dutchi Motors B.V.**
 Motor type **DM1-HE 90L4**
 Rated power **1,50** kW **S1** duty
 Speed **1390** r.p.m
 Voltage **230** / **400** V
 Frequency **50** Hz
 Connection **Δ** / **Y**
 Amps full load **5,5** / **3,2** A
 Amps no-load(400V) **2,00** A
 Enclosure **IP 55**
 Insulation Class **F (temp. rise B (80 K))**

Max. coolant temp. **40°C**
 Max. altitude **1.000** mtr, above sea level
 Comment **3 x PTC 150°C**
 Cable entries **2 x M25x1,5 + 1 x M20x1,5 (ptc)**

Feature **Cast-iron motor**
 Weight **kg**
 Catalog no. **11724150DH**
 Warranty **12~18 months**

Efficiency class **EFF 1**
 Load data 100% 75% 50% 25%
 Efficiency **85,3 86,2 85,4 80,1** %
 Power factor **0,79 0,70 0,55 0,36**

Sound pressure level (1m) **48,0** dB(A)
 Resistance R20 (open) **3,262** Ω
 Resistance R20 **Y 6,524** Ω

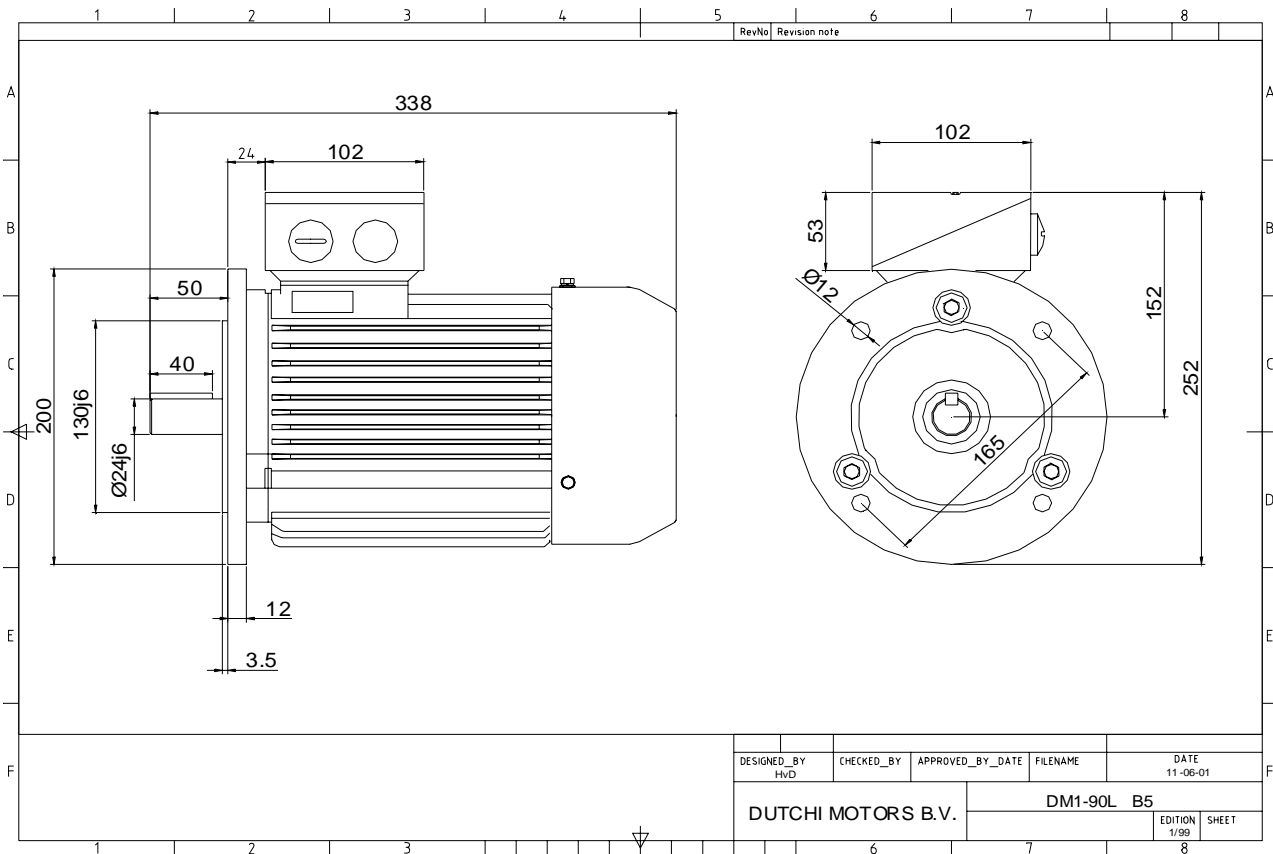
Full load torque **10** Nm
 DOL Starting torque vs FL torque **3,20**
 DOL Pull up torque vs FL torque **1,96**
 DOL Pull out torque vs FL torque **3,35**
 Star-Delta Starting torque vs FL torque **Y - motor**
 Star-Delta Pull up torque vs FL torque **Y - motor**
 Star-Delta Pull out torque vs FL torque **Y - motor**
 DOL Starting current vs FL current **7,14**
 Star Delta Starting current vs FL current **Y - motor**

Rotor Inertia **kgm2**

Bearing DE **6205 - ZZ**
 Bearing NDE **6205 - ZZ**

WI	Change	date	sign.
Dutchi Motors B.V. P.O. Box 5390 NL-6802 EJ ARNHEM Tel : +31-(0)26 - 3541 600 Fax : +31-(0)26 - 3541 650		Description Drawing made by : 27-04-04	date sign. HvD
		dutchi.motors@dutchi.nl www.dutchi.com	

Power is our commodity, the world is our market !



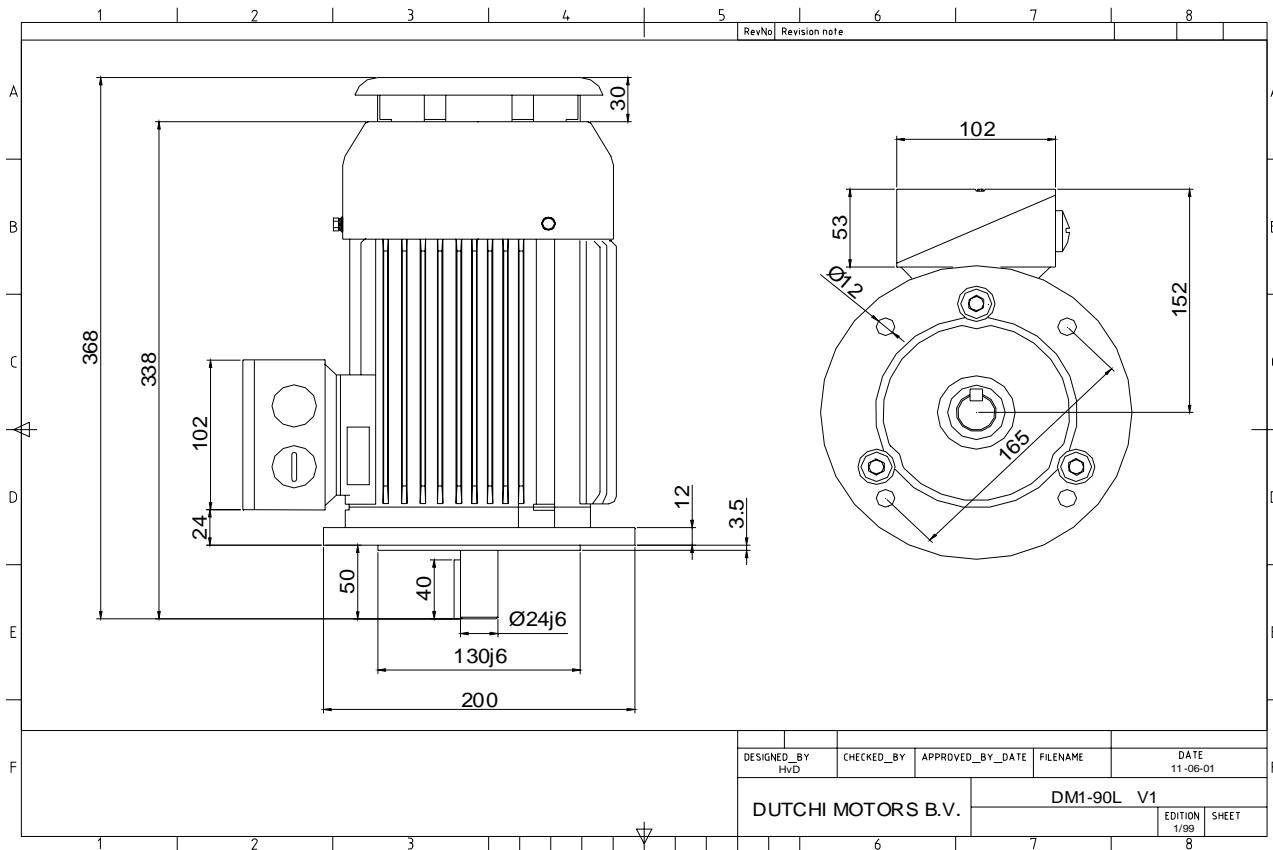
DESIGNED_BY HvD	CHECKED_BY	APPROVED_BY_DATE	FILENAME	DATE 11-06-01
DUTCHI MOTORS B.V.			DM1-90L B5	EDITION 1/99
				SHEET

Specification	IEC 60034-1
Manufacturer	Dutchi Motors B.V.
Motor type	DM1-HE 90L4
Rated power	1,50 kW S1 duty
Speed	1390 r.p.m
Voltage	230 / 400 V
Frequency	50 Hz
Connection	Δ / Y
Amps full load	5,5 / 3,2 A
Amps no-load(400V)	2,00 A
Enclosure	IP 55
Insulation Class	F (temp. rise B (80 K))
Max. coolant temp.	40°C
Max. altitude	1.000 mtr, above sea level
Comment	3 x PTC 150°C
Cable entries	2 x M25x1,5 + 1 x M20x1,5 (ptc)
Feature	Cast-iron motor
Weight	kg
Catalog no.	11224150DH
Warranty	12~18 months

Efficiency class	EFF 1
Load data	100% 75% 50% 25%
Efficiency	85,3 86,2 85,4 80,1 %
Power factor	0,79 0,70 0,55 0,36
Sound pressure level (1m)	48,0 dB(A)
Resistance R20 (open)	3,262 Ω
Resistance R20	Y 6,524 Ω
Full load torque	10 Nm
DOL Starting torque vs FL torque	3,20
DOL Pull up torque vs FL torque	1,96
DOL Pull out torque vs FL torque	3,35
Star-Delta Starting torque vs FL torque	Y - motor
Star-Delta Pull up torque vs FL torque	Y - motor
Star-Delta Pull out torque vs FL torque	Y - motor
DOL Starting current vs FL current	7,14
Star Delta Starting current vs FL current	Y - motor
Rotor Inertia	kgm ²
Bearing DE	6205 - ZZ
Bearing NDE	6205 - ZZ

WI	Change	date	sign.
Dutchi Motors B.V. P.O. Box 5390 NL-6802 EJ ARNHEM Tel : +31-(0)26 - 3541 600 Fax : +31-(0)26 - 3541 650		Discription Drawing made by : 27-04-04	date sign. HvD
dutchi.motors@dutchi.nl www.dutchi.com			

Power is our commodity, the world is our market !



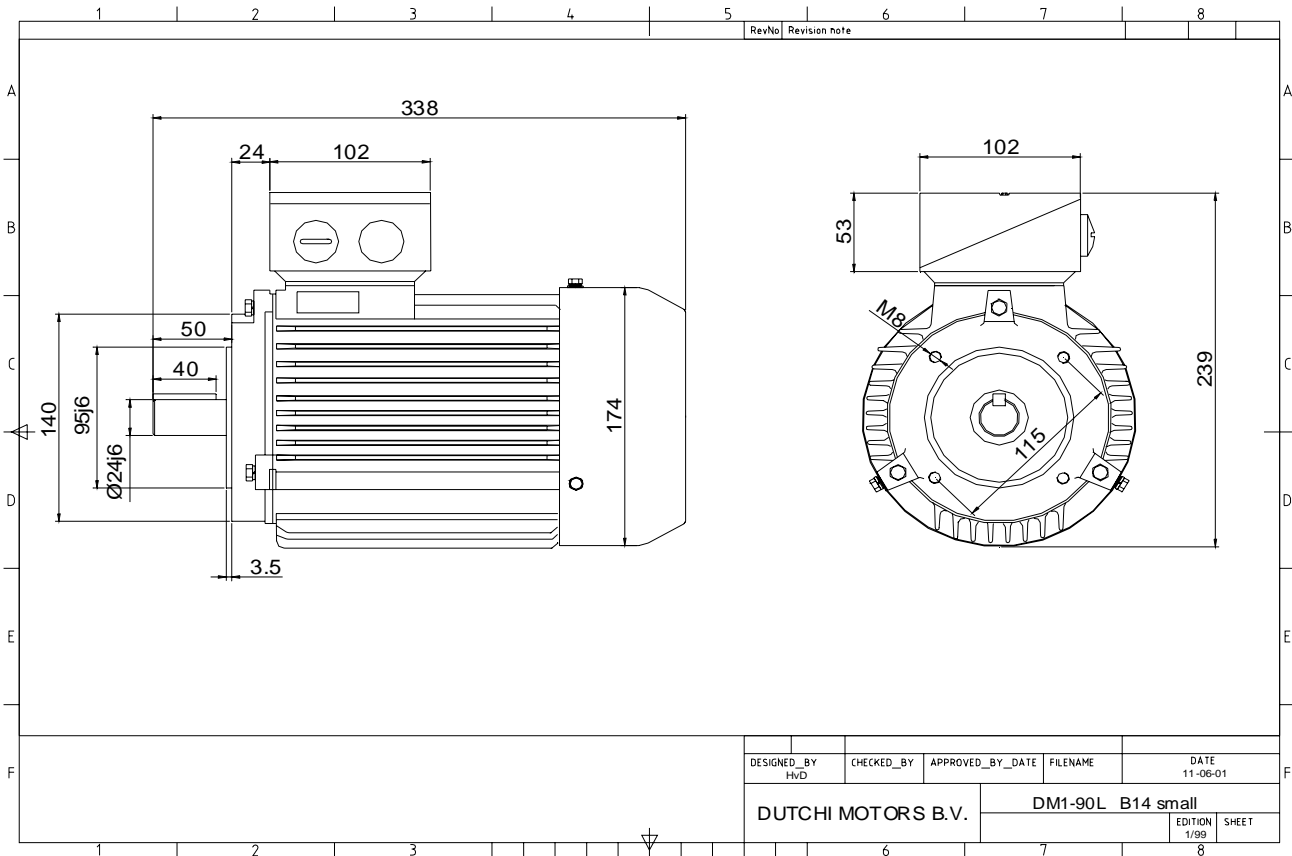
DESIGNED_BY HVD	CHECKED_BY	APPROVED_BY_DATE	FILENAME	DATE 11-06-01
DUTCHI MOTORS B.V.			DM1-90L V1	EDITION 1/99
				SHEET

Specification	IEC 60034-1
Manufacturer	Dutchi Motors B.V.
Motor type	DM1-HE 90L4
Rated power	1,50 kW S1 duty
Speed	1390 r.p.m
Voltage	230 / 400 V
Frequency	50 Hz
Connection	Δ / Y
Amps full load	5,5 / 3,2 A
Amps no-load(400V)	2,00 A
Enclosure	IP 55
Insulation Class	F (temp. rise B (80 K))
Max. coolant temp.	40°C
Max. altitude	1.000 mtr, above sea level
Comment	3 x PTC 150°C
Cable entries	2 x M25x1,5 + 1 x M20x1,5 (ptc)
Feature	Cast-iron motor
Weight	kg
Catalog no.	11024150DH
Warranty	12~18 months

Efficiency class	EFF 1			
Load data	100%	75%	50%	25%
Efficiency	85,3	86,2	85,4	80,1 %
Power factor	0,79	0,70	0,55	0,36
Sound pressure level (1m)				48,0 dB(A)
Resistance R20 (open)				3,262 Ω
Resistance R20	Y		6,524	Ω
Full load torque				10 Nm
DOL Starting torque vs FL torque				3,20
DOL Pull up torque vs FL torque				1,96
DOL Pull out torque vs FL torque				3,35
Star-Delta Starting torque vs FL torque				Y - motor
Star-Delta Pull up torque vs FL torque				Y - motor
Star-Delta Pull out torque vs FL torque				Y - motor
DOL Starting current vs FL current				7,14
Star Delta Starting current vs FL current				Y - motor
Rotor Inertia				kgm ²
Bearing DE				6205 - ZZ
Bearing NDE				6205 - ZZ

WI	Change	date	sign.
Dutchi Motors B.V. P.O. Box 5390 NL-6802 EJ ARNHEM Tel : +31-(0)26 - 3541 600 Fax : +31-(0)26 - 3541 650		Discription Drawing made by :	date 27-04-04 sign. Hvd
dutchi.motors@dutchi.nl www.dutchi.com			

Power is our commodity, the world is our market !



Specification **IEC 60034-1**
 Manufacturer **Dutchi Motors B.V.**
 Motor type **DM1-HE 90L4**
 Rated power **1,50** kW **S1** duty
 Speed **1390** r.p.m
 Voltage **230** / **400** V
 Frequency **50** Hz
 Connection **Δ** / **Y**
 Amps full load **5,5** / **3,2** A
 Amps no-load(400V) **2,00** A
 Enclosure **IP 55**
 Insulation Class **F (temp. rise B (80 K))**

Max. coolant temp. **40°C**
 Max. altitude **1.000** mtr, above sea level
 Comment **3 x PTC 150°C**
 Cable entries **2 x M25x1,5 + 1 x M20x1,5 (ptc)**

Feature **Cast-iron motor**
 Weight **kg**
 Catalog no. **11324150DH**
 Warranty **12~18 months**

Efficiency class **EFF 1**
 Load data 100% 75% 50% 25%
 Efficiency **85,3 86,2 85,4 80,1** %
 Power factor **0,79 0,70 0,55 0,36**

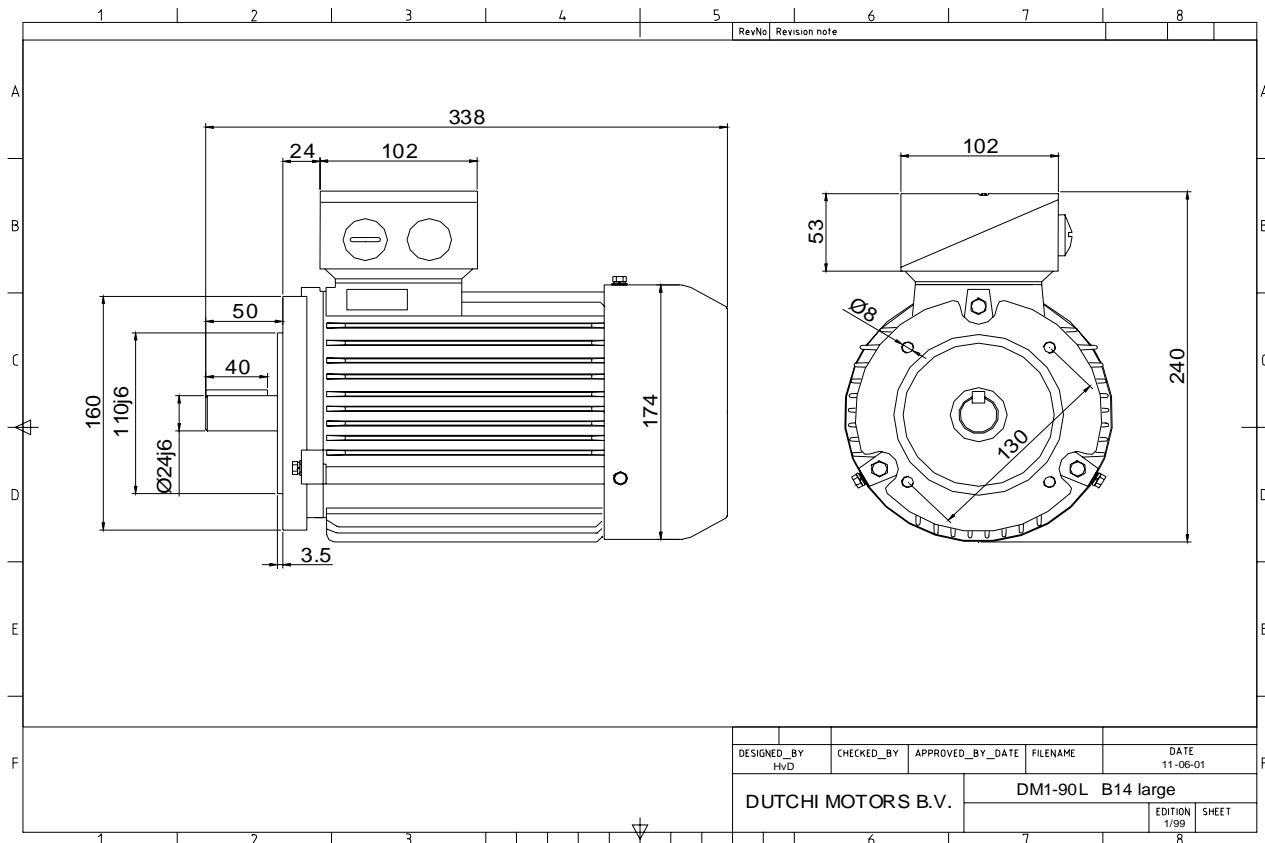
Sound pressure level (1m) **48,0** dB(A)
 Resistance R20 (open) **3,262** Ω
 Resistance R20 **Y 6,524** Ω

Full load torque **10** Nm
 DOL Starting torque vs FL torque **3,20**
 DOL Pull up torque vs FL torque **1,96**
 DOL Pull out torque vs FL torque **3,35**
 Star-Delta Starting torque vs FL torque **Y - motor**
 Star-Delta Pull up torque vs FL torque **Y - motor**
 Star-Delta Pull out torque vs FL torque **Y - motor**
 DOL Starting current vs FL current **7,14**
 Star Delta Starting current vs FL current **Y - motor**
 Rotor Inertia **kgm2**

Bearing DE **6205 - ZZ**
 Bearing NDE **6205 - ZZ**

WI	Change	date	sign.
Dutchi Motors B.V. P.O. Box 5390 NL-6802 EJ ARNHEM Tel : +31-(0)26 - 3541 600 Fax : +31-(0)26 - 3541 650		Description	date
		Drawing made by :	27-04-04
		dutchi.motors@dutchi.nl www.dutchi.com	

Power is our commodity, the world is our market !



Specification **IEC 60034-1**
 Manufacturer **Dutchi Motors B.V.**
 Motor type **DM1-HE 90L4**
 Rated power **1,50** kW **S1** duty
 Speed **1390** r.p.m
 Voltage **230** / **400** V
 Frequency **50** Hz
 Connection **Δ** / **Y**
 Amps full load **5,5** / **3,2** A
 Amps no-load(400V) **2,00** A
 Enclosure **IP 55**
 Insulation Class **F (temp. rise B (80 K))**

Max. coolant temp. **40°C**
 Max. altitude **1.000** mtr, above sea level
 Comment **3 x PTC 150°C**
 Cable entries **2 x M25x1,5 + 1 x M20x1,5 (ptc)**

Feature **Cast-iron motor**
 Weight **kg**
 Catalog no. **11424150DH**
 Warranty **12~18 months**

Efficiency class **EFF 1**
 Load data 100% 75% 50% 25%
 Efficiency **85,3 86,2 85,4 80,1** %
 Power factor **0,79 0,70 0,55 0,36**

Sound pressure level (1m) **48,0** dB(A)
 Resistance R20 (open) **3,262** Ω
 Resistance R20 **Y 6,524** Ω

Full load torque **10** Nm
 DOL Starting torque vs FL torque **3,20**
 DOL Pull up torque vs FL torque **1,96**
 DOL Pull out torque vs FL torque **3,35**
 Star-Delta Starting torque vs FL torque **Y - motor**
 Star-Delta Pull up torque vs FL torque **Y - motor**
 Star-Delta Pull out torque vs FL torque **Y - motor**
 DOL Starting current vs FL current **7,14**
 Star Delta Starting current vs FL current **Y - motor**

Rotor Inertia **kgm2**

Bearing DE **6205 - ZZ**
 Bearing NDE **6205 - ZZ**

WI	Change	date	sign.
Dutchi Motors B.V.		Description	date
P.O. Box 5390		Drawing made by :	27-04-04
NL-6802 EJ ARNHEM			HvD
Tel : +31-(0)26 - 3541 600		dutchi.motors@dutchi.nl	
Fax : +31-(0)26 - 3541 650		www.dutchi.com	