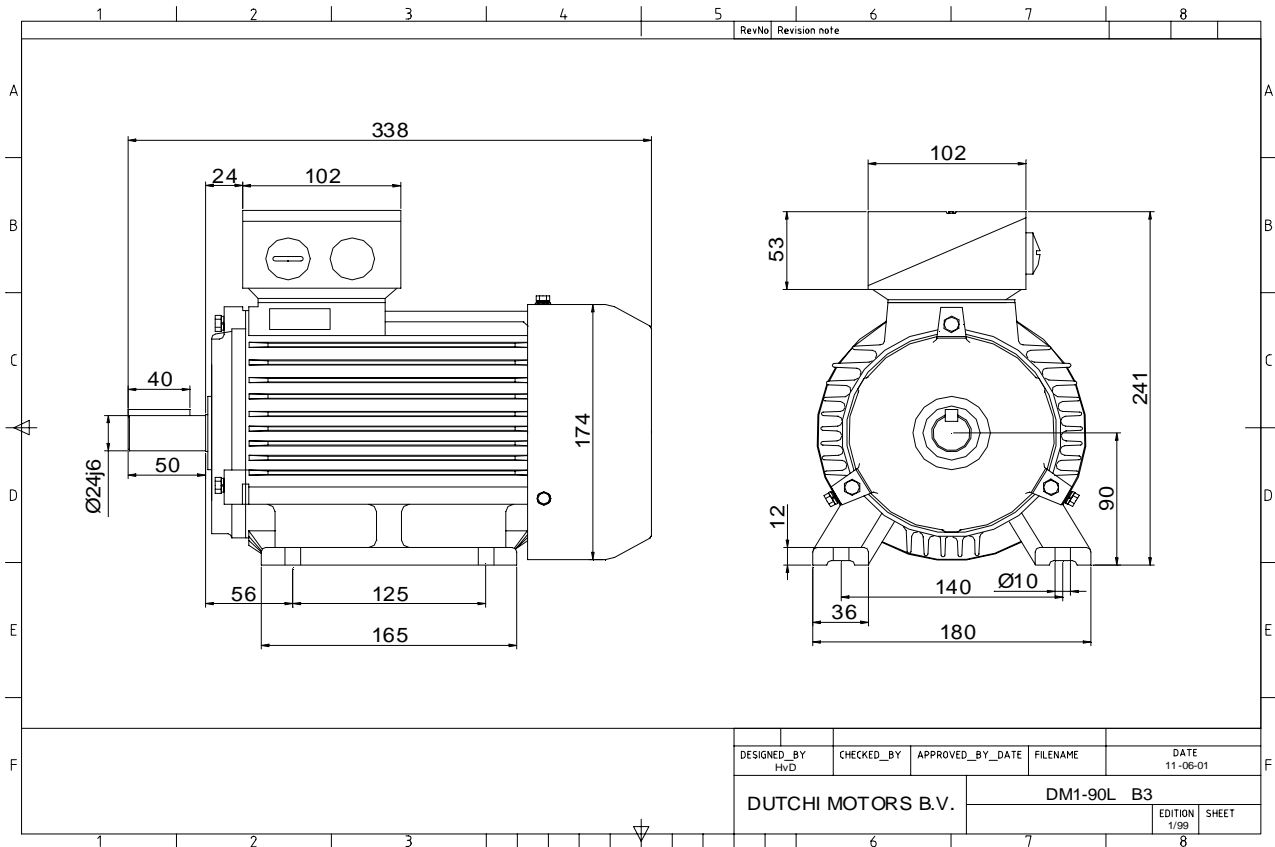


Power is our commodity, the world is our market !



Specification **IEC 60034-1**
 Manufacturer **Dutchi Motors B.V.**
 Motor type **DM1- 90 L4**
 Rated power **1,5** kW **S1** duty
 Speed **1390** r.p.m
 Voltage **230 / 400** V
 Frequency **50** Hz
 Connection **Δ / Y**
 Amps full load **6,06 / 3,50** A
 Amps no-load(400V) **2,10** A
 Enclosure **IP 55**
 Insulation Class **F (temp. rise B (80 K))**

Max. coolant temp. **40°C**
 Max. altitude **1.000** mtr, above sea level
 Comment **3 x PTC 150°C**
 Cable entries **2 x M25x1,5 + 1 x M20x1,5 (ptc)**

Feature **Cast-iron motor**
 Weight **28,0** kg
 Catalog no. **11124150D**
 Warranty **12~18 months**

Efficiency class **EFF 2**
 Load data 100% 75% 50% 25%
 Efficiency **78,7 78,6 75,2 63,9** %
 Power factor **0,79 0,71 0,57 0,38**

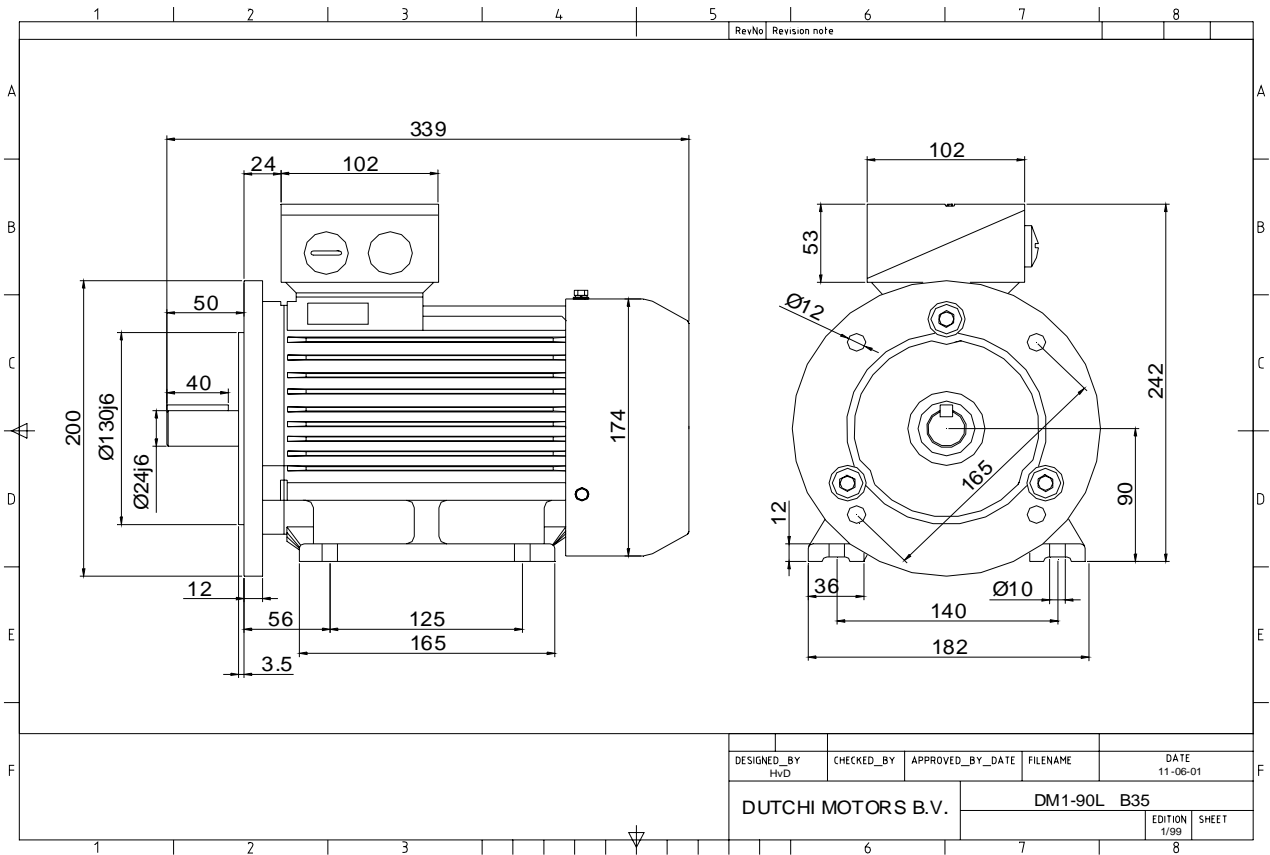
Sound pressure level (1m) **49,5** dB(A)
 Resistance R20 (open) **3,88** Ω
 Resistance R20 **Y 7,76** Ω

Full load torque **10,31** Nm
 DOL Starting torque vs FL torque **2,56**
 DOL Pull up torque vs FL torque **1,77**
 DOL Pull out torque vs FL torque **3,15**
 Star-Delta Starting torque vs FL torque **Y - motor**
 Star-Delta Pull up torque vs FL torque **Y - motor**
 Star-Delta Pull out torque vs FL torque **Y - motor**
 DOL Starting current vs FL current **6,29**
 Star Delta Starting current vs FL current **Y - motor**
 Rotor Inertia **0,0027** kgm²

Bearing DE **6205 - ZZ C3**
 Bearing NDE **6205 - ZZ C3**

WI	Change	date	sign.
Dutchi Motors B.V. P.O. Box 5390 NL-6802 EJ ARNHEM Tel : +31-(0)26 - 3541 600 Fax : +31-(0)26 - 3541 650		Description	date
		Drawing made by :	19-04-04
		dutchi.motors@dutchi.nl www.dutchi.com	

Power is our commodity, the world is our market !



DESIGNED_BY HvD	CHECKED_BY	APPROVED_BY_DATE	FILENAME	DATE 11-06-01
DUTCHI MOTORS B.V.			DM1-90L B35	EDITION 1/99
				SHEET

Specification **IEC 60034-1**
 Manufacturer **Dutchi Motors B.V.**
 Motor type **DM1- 90 L4**
 Rated power **1,5** kW **S1** duty
 Speed **1390** r.p.m
 Voltage **230 / 400** V
 Frequency **50** Hz
 Connection **Δ / Y**
 Amps full load **6,06 / 3,50** A
 Amps no-load(400V) **2,10** A
 Enclosure **IP 55**
 Insulation Class **F (temp. rise B (80 K))**

Max. coolant temp. **40°C**
 Max. altitude **1.000** mtr, above sea level
 Comment **3 x PTC 150°C**
 Cable entries **2 x M25x1,5 + 1 x M20x1,5 (ptc)**

Feature **Cast-iron motor**
 Weight **28,0** kg
 Catalog no. **11524150D**
 Warranty **12~18 months**

Efficiency class **EFF 2**
 Load data 100% 75% 50% 25%
 Efficiency **78,7 78,6 75,2 63,9** %
 Power factor **0,79 0,71 0,57 0,38**

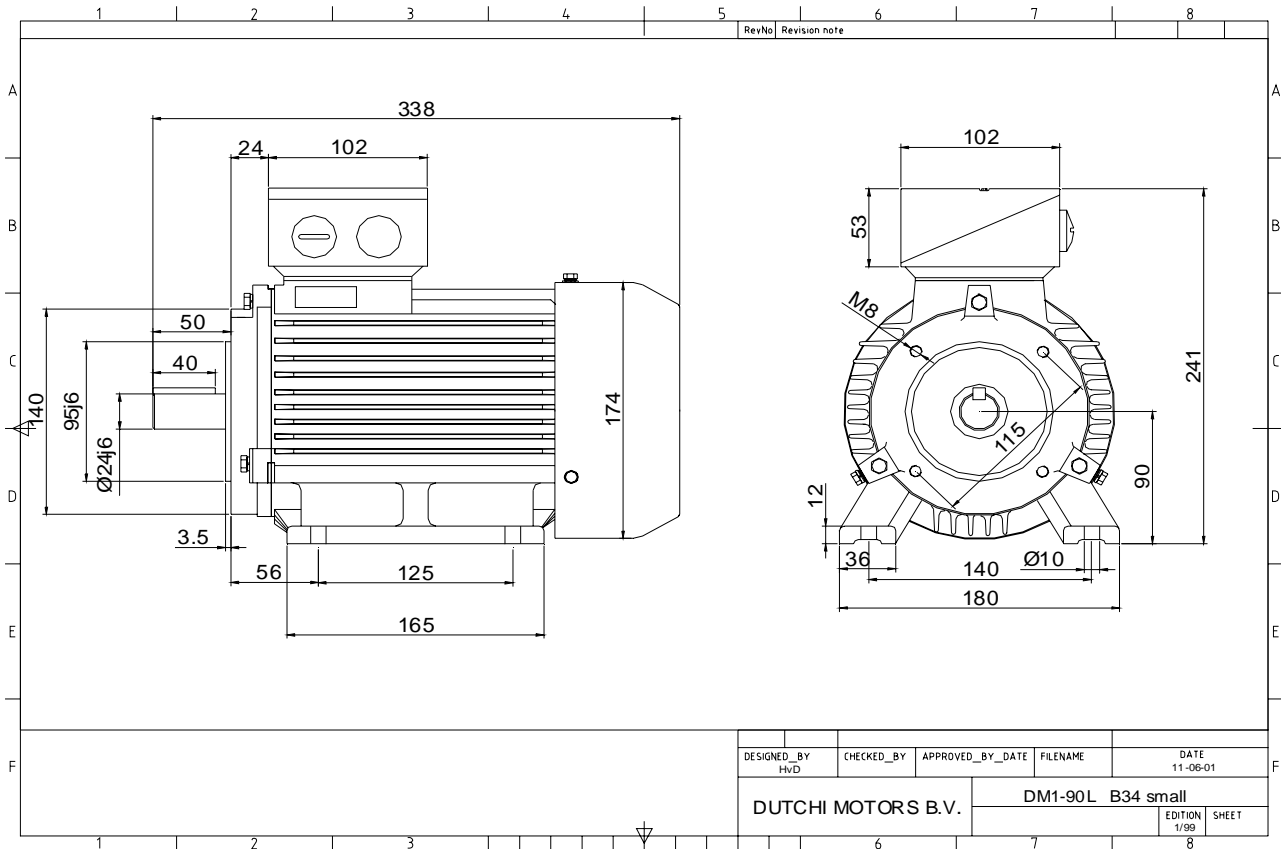
Sound pressure level (1m) **49,5** dB(A)
 Resistance R20 (open) **3,88** Ω
 Resistance R20 **Y 7,76** Ω

Full load torque **10,31** Nm
 DOL Starting torque vs FL torque **2,56**
 DOL Pull up torque vs FL torque **1,77**
 DOL Pull out torque vs FL torque **3,15**
 Star-Delta Starting torque vs FL torque **Y - motor**
 Star-Delta Pull up torque vs FL torque **Y - motor**
 Star-Delta Pull out torque vs FL torque **Y - motor**
 DOL Starting current vs FL current **6,29**
 Star Delta Starting current vs FL current **Y - motor**
 Rotor Inertia **0,0027** kgm²

Bearing DE **6205 - ZZ C3**
 Bearing NDE **6205 - ZZ C3**

WI	Change	date	sign.
Dutchi Motors B.V. P.O. Box 5390 NL-6802 EJ ARNHEM Tel : +31-(0)26 - 3541 600 Fax : +31-(0)26 - 3541 650		Discription Drawing made by :	date 19-04-04 sign. HvD
dutchi.motors@dutchi.nl www.dutchi.com			

Power is our commodity, the world is our market !



Specification **IEC 60034-1**
 Manufacturer **Dutchi Motors B.V.**
 Motor type **DM1- 90 L4**
 Rated power **1,5** kW **S1** duty
 Speed **1390** r.p.m
 Voltage **230 / 400** V
 Frequency **50** Hz
 Connection **Δ / Y**
 Amps full load **6,06 / 3,50** A
 Amps no-load(400V) **2,10** A
 Enclosure **IP 55**
 Insulation Class **F (temp. rise B (80 K))**

Max. coolant temp. **40°C**
 Max. altitude **1.000** mtr, above sea level
 Comment **3 x PTC 150°C**
 Cable entries **2 x M25x1,5 + 1 x M20x1,5 (ptc)**

Feature **Cast-iron motor**
 Weight **28,0** kg
 Catalog no. **11624150D**
 Warranty **12~18 months**

Efficiency class **EFF 2**
 Load data 100% 75% 50% 25%
 Efficiency **78,7 78,6 75,2 63,9** %
 Power factor **0,79 0,71 0,57 0,38**

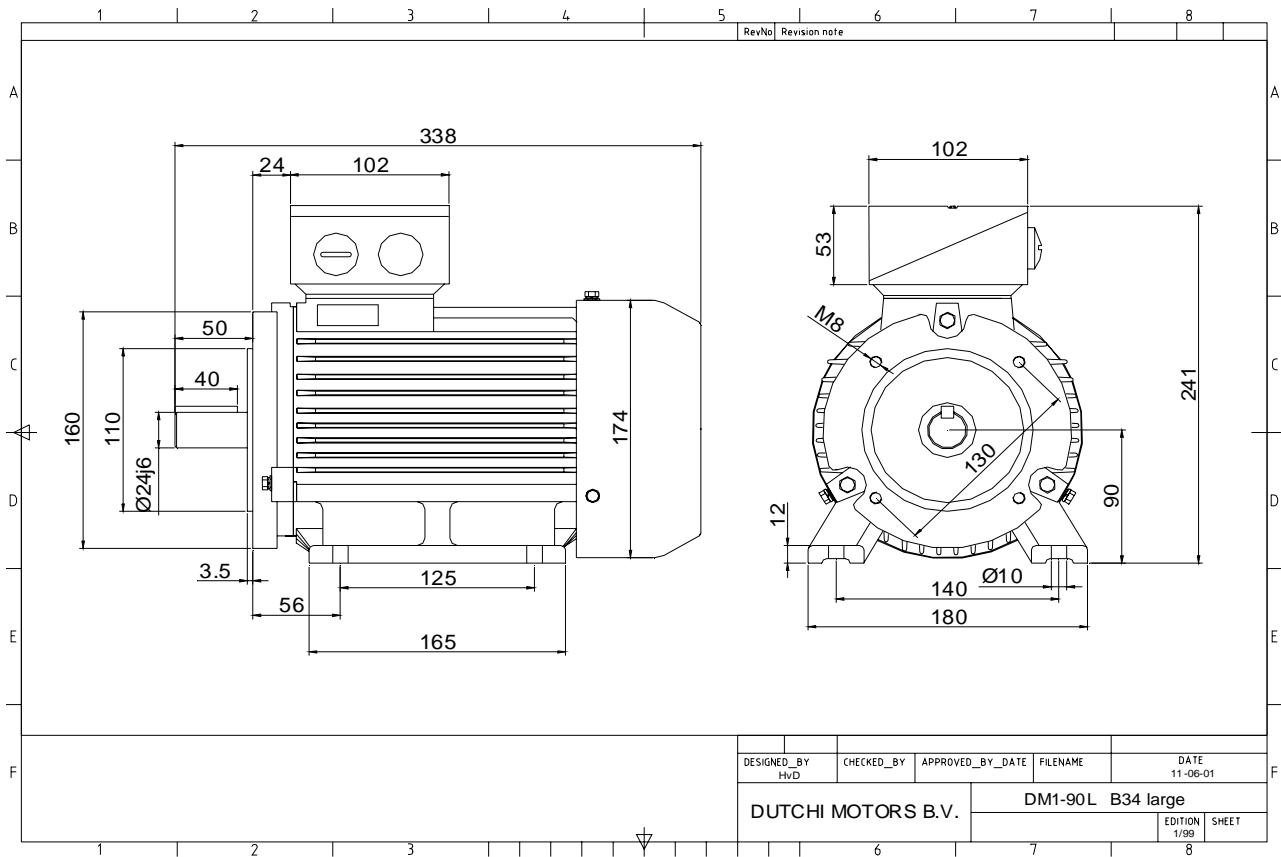
Sound pressure level (1m) **49,5** dB(A)
 Resistance R20 (open) **3,88** Ω
 Resistance R20 **Y 7,76** Ω

Full load torque **10,31** Nm
 DOL Starting torque vs FL torque **2,56**
 DOL Pull up torque vs FL torque **1,77**
 DOL Pull out torque vs FL torque **3,15**
 Star-Delta Starting torque vs FL torque **Y - motor**
 Star-Delta Pull up torque vs FL torque **Y - motor**
 Star-Delta Pull out torque vs FL torque **Y - motor**
 DOL Starting current vs FL current **6,29**
 Star Delta Starting current vs FL current **Y - motor**
 Rotor Inertia **0,0027** kgm²

Bearing DE **6205 - ZZ C3**
 Bearing NDE **6205 - ZZ C3**

WI	Change	date	sign.
Dutchi Motors B.V.		Description	date
P.O. Box 5390		Drawing made by :	19-04-04
NL-6802 EJ ARNHEM			
Tel : +31-(0)26 - 3541 600		dutchi.motors@dutchi.nl	
Fax : +31-(0)26 - 3541 650		www.dutchi.com	

Power is our commodity, the world is our market !



Specification **IEC 60034-1**
 Manufacturer **Dutchi Motors B.V.**
 Motor type **DM1- 90 L4**
 Rated power **1,5** kW **S1** duty
 Speed **1390** r.p.m
 Voltage **230 / 400** V
 Frequency **50** Hz
 Connection **Δ / Y**
 Amps full load **6,06 / 3,50** A
 Amps no-load(400V) **2,10** A
 Enclosure **IP 55**
 Insulation Class **F (temp. rise B (80 K))**

Max. coolant temp. **40°C**
 Max. altitude **1.000** mtr, above sea level
 Comment **3 x PTC 150°C**
 Cable entries **2 x M25x1,5 + 1 x M20x1,5 (ptc)**

Feature **Cast-iron motor**
 Weight **28,0** kg
 Catalog no. **11724150D**
 Warranty **12~18 months**

Efficiency class **EFF 2**
 Load data 100% 75% 50% 25%
 Efficiency **78,7 78,6 75,2 63,9** %
 Power factor **0,79 0,71 0,57 0,38**

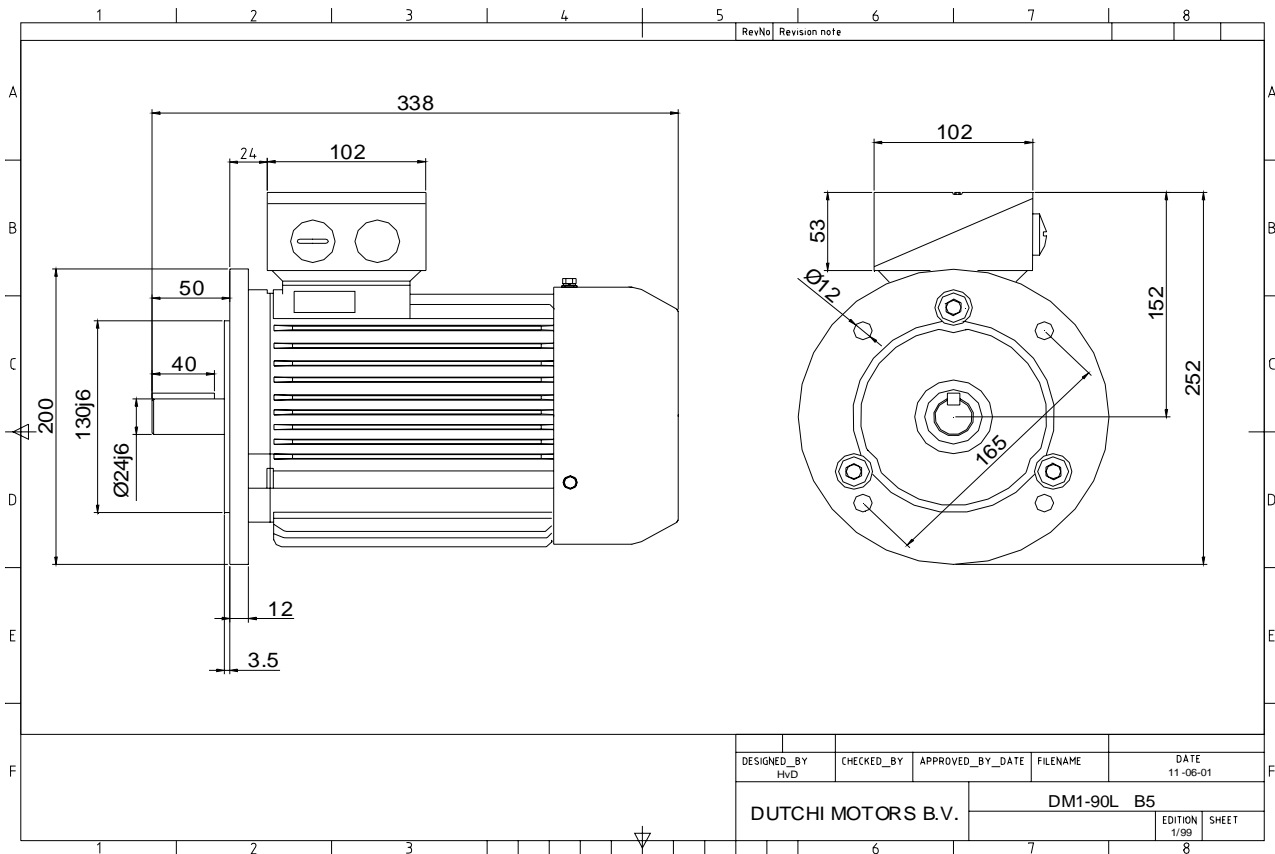
Sound pressure level (1m) **49,5** dB(A)
 Resistance R20 (open) **3,88** Ω
 Resistance R20 **Y 7,76** Ω

Full load torque **10,31** Nm
 DOL Starting torque vs FL torque **2,56**
 DOL Pull up torque vs FL torque **1,77**
 DOL Pull out torque vs FL torque **3,15**
 Star-Delta Starting torque vs FL torque **Y - motor**
 Star-Delta Pull up torque vs FL torque **Y - motor**
 Star-Delta Pull out torque vs FL torque **Y - motor**
 DOL Starting current vs FL current **6,29**
 Star Delta Starting current vs FL current **Y - motor**
 Rotor Inertia **0,0027** kgm²

Bearing DE **6205 - ZZ C3**
 Bearing NDE **6205 - ZZ C3**

WI	Change	date	sign.
Dutchi Motors B.V. P.O. Box 5390 NL-6802 EJ ARNHEM Tel : +31-(0)26 - 3541 600 Fax : +31-(0)26 - 3541 650		Description	date
		Drawing made by :	19-04-04
		dutchi.motors@dutchi.nl www.dutchi.com	

Power is our commodity, the world is our market !



Specification **IEC 60034-1**
 Manufacturer **Dutchi Motors B.V.**
 Motor type **DM1- 90 L4**
 Rated power **1,5** kW **S1** duty
 Speed **1390** r.p.m
 Voltage **230 / 400** V
 Frequency **50** Hz
 Connection **Δ / Y**
 Amps full load **6,06 / 3,50** A
 Amps no-load(400V) **2,10** A
 Enclosure **IP 55**
 Insulation Class **F (temp. rise B (80 K))**

Max. coolant temp. **40°C**
 Max. altitude **1.000** mtr, above sea level
 Comment **3 x PTC 150°C**
 Cable entries **2 x M25x1,5 + 1 x M20x1,5 (ptc)**

Feature **Cast-iron motor**
 Weight **28,0** kg
 Catalog no. **11224150D**
 Warranty **12~18 months**

Efficiency class **EFF 2**
 Load data 100% 75% 50% 25%
 Efficiency **78,7 78,6 75,2 63,9** %
 Power factor **0,79 0,71 0,57 0,38**

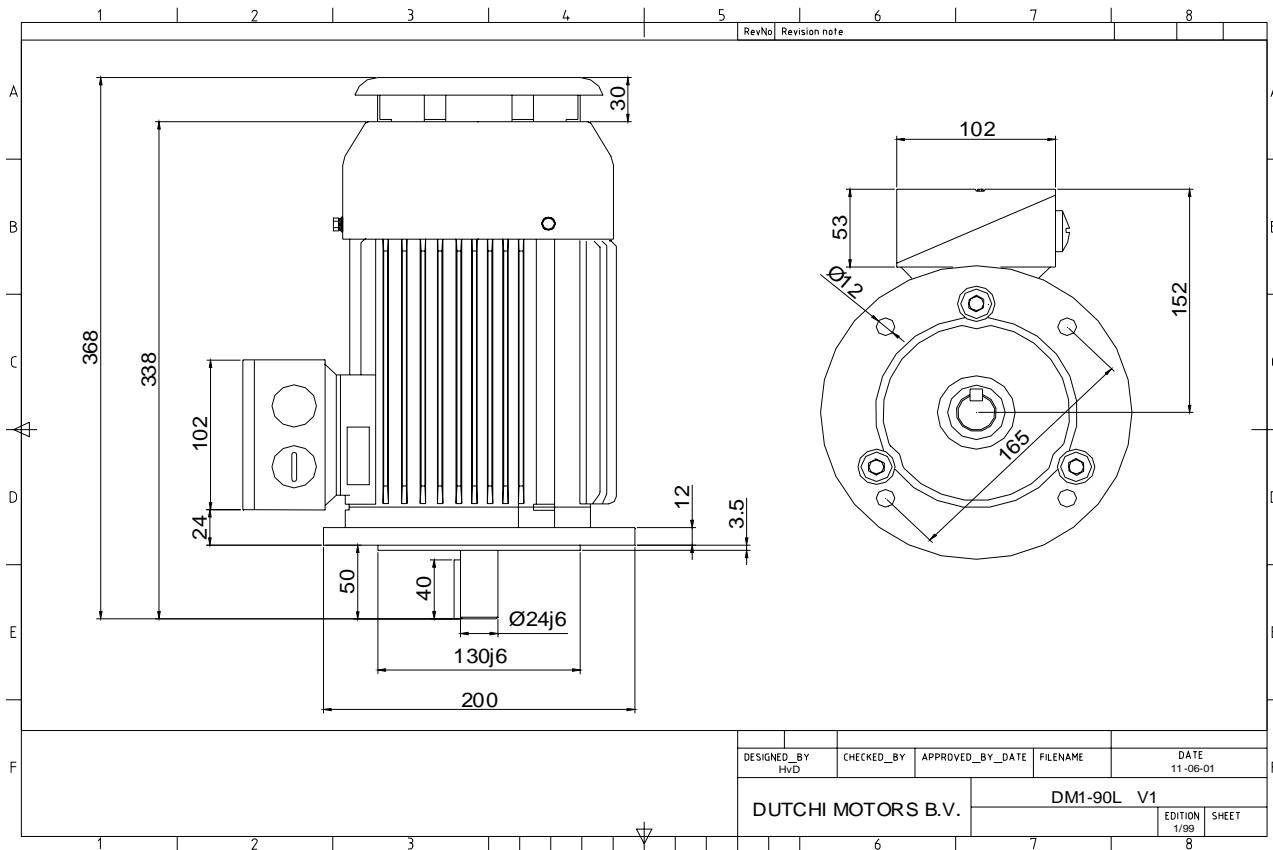
Sound pressure level (1m) **49,5** dB(A)
 Resistance R20 (open) **3,88** Ω
 Resistance R20 **Y 7,76** Ω

Full load torque **10,31** Nm
 DOL Starting torque vs FL torque **2,56**
 DOL Pull up torque vs FL torque **1,77**
 DOL Pull out torque vs FL torque **3,15**
 Star-Delta Starting torque vs FL torque **Y - motor**
 Star-Delta Pull up torque vs FL torque **Y - motor**
 Star-Delta Pull out torque vs FL torque **Y - motor**
 DOL Starting current vs FL current **6,29**
 Star Delta Starting current vs FL current **Y - motor**
 Rotor Inertia **0,0027** kgm2

Bearing DE **6205 - ZZ C3**
 Bearing NDE **6205 - ZZ C3**

WI	Change	date	sign.
Dutchi Motors B.V. P.O. Box 5390 NL-6802 EJ ARNHEM Tel : +31-(0)26 - 3541 600 Fax : +31-(0)26 - 3541 650		Discription Drawing made by : 19-04-04	date sign. HvD
dutchi.motors@dutchi.nl www.dutchi.com			

Power is our commodity, the world is our market !



Specification **IEC 60034-1**
 Manufacturer **Dutchi Motors B.V.**
 Motor type **DM1- 90 L4**
 Rated power **1,5** kW **S1** duty
 Speed **1390** r.p.m
 Voltage **230 / 400** V
 Frequency **50** Hz
 Connection **Δ / Y**
 Amps full load **6,06 / 3,50** A
 Amps no-load(400V) **2,10** A
 Enclosure **IP 55**
 Insulation Class **F (temp. rise B (80 K))**

Max. coolant temp. **40°C**
 Max. altitude **1.000** mtr, above sea level
 Comment **3 x PTC 150°C**
 Cable entries **2 x M25x1,5 + 1 x M20x1,5 (ptc)**

Feature **Cast-iron motor**
 Weight **28,0** kg
 Catalog no. **11024150D**
 Warranty **12~18 months**

Efficiency class **EFF 2**
 Load data 100% 75% 50% 25%
 Efficiency **78,7 78,6 75,2 63,9** %
 Power factor **0,79 0,71 0,57 0,38**

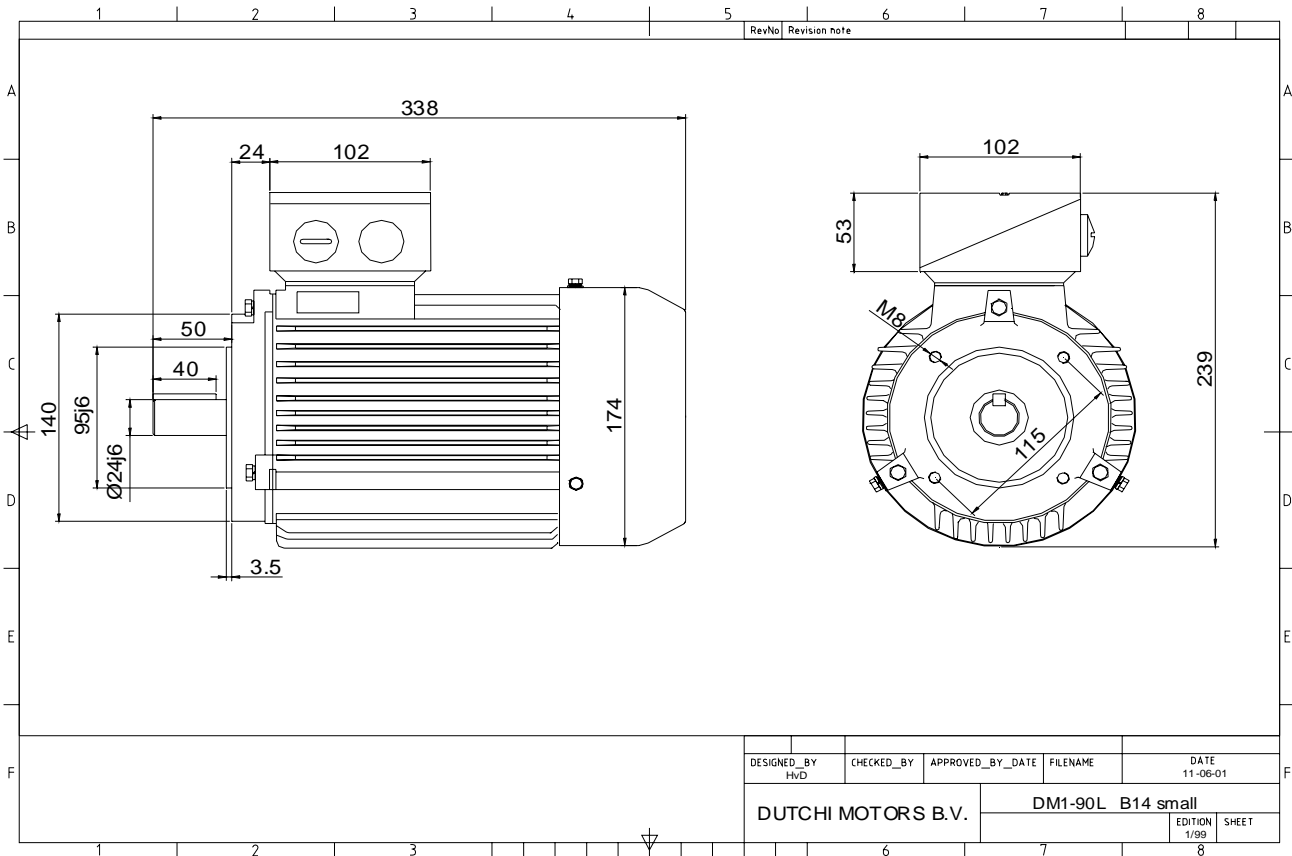
Sound pressure level (1m) **49,5** dB(A)
 Resistance R20 (open) **3,88** Ω
 Resistance R20 **Y 7,76** Ω

Full load torque **10,31** Nm
 DOL Starting torque vs FL torque **2,56**
 DOL Pull up torque vs FL torque **1,77**
 DOL Pull out torque vs FL torque **3,15**
 Star-Delta Starting torque vs FL torque **Y - motor**
 Star-Delta Pull up torque vs FL torque **Y - motor**
 Star-Delta Pull out torque vs FL torque **Y - motor**
 DOL Starting current vs FL current **6,29**
 Star Delta Starting current vs FL current **Y - motor**
 Rotor Inertia **0,0027** kgm²

Bearing DE **6205 - ZZ C3**
 Bearing NDE **6205 - ZZ C3**

WI	Change	date	sign.
Dutchi Motors B.V. P.O. Box 5390 NL-6802 EJ ARNHEM Tel : +31-(0)26 - 3541 600 Fax : +31-(0)26 - 3541 650		Discription Drawing made by : 19-04-04	date sign. HVD
dutchi.motors@dutchi.nl www.dutchi.com			

Power is our commodity, the world is our market !



Specification **IEC 60034-1**
 Manufacturer **Dutchi Motors B.V.**
 Motor type **DM1- 90 L4**
 Rated power **1,5** kW **S1** duty
 Speed **1390** r.p.m
 Voltage **230 / 400** V
 Frequency **50** Hz
 Connection **Δ / Y**
 Amps full load **6,06 / 3,50** A
 Amps no-load(400V) **2,10** A
 Enclosure **IP 55**
 Insulation Class **F (temp. rise B (80 K))**

Max. coolant temp. **40°C**
 Max. altitude **1.000** mtr, above sea level
 Comment **3 x PTC 150°C**
 Cable entries **2 x M25x1,5 + 1 x M20x1,5 (ptc)**

Feature **Cast-iron motor**
 Weight **28,0** kg
 Catalog no. **11514150D**
 Warranty **12~18 months**

Efficiency class **EFF 2**
 Load data 100% 75% 50% 25%
 Efficiency **78,7 78,6 75,2 63,9** %
 Power factor **0,79 0,71 0,57 0,38**

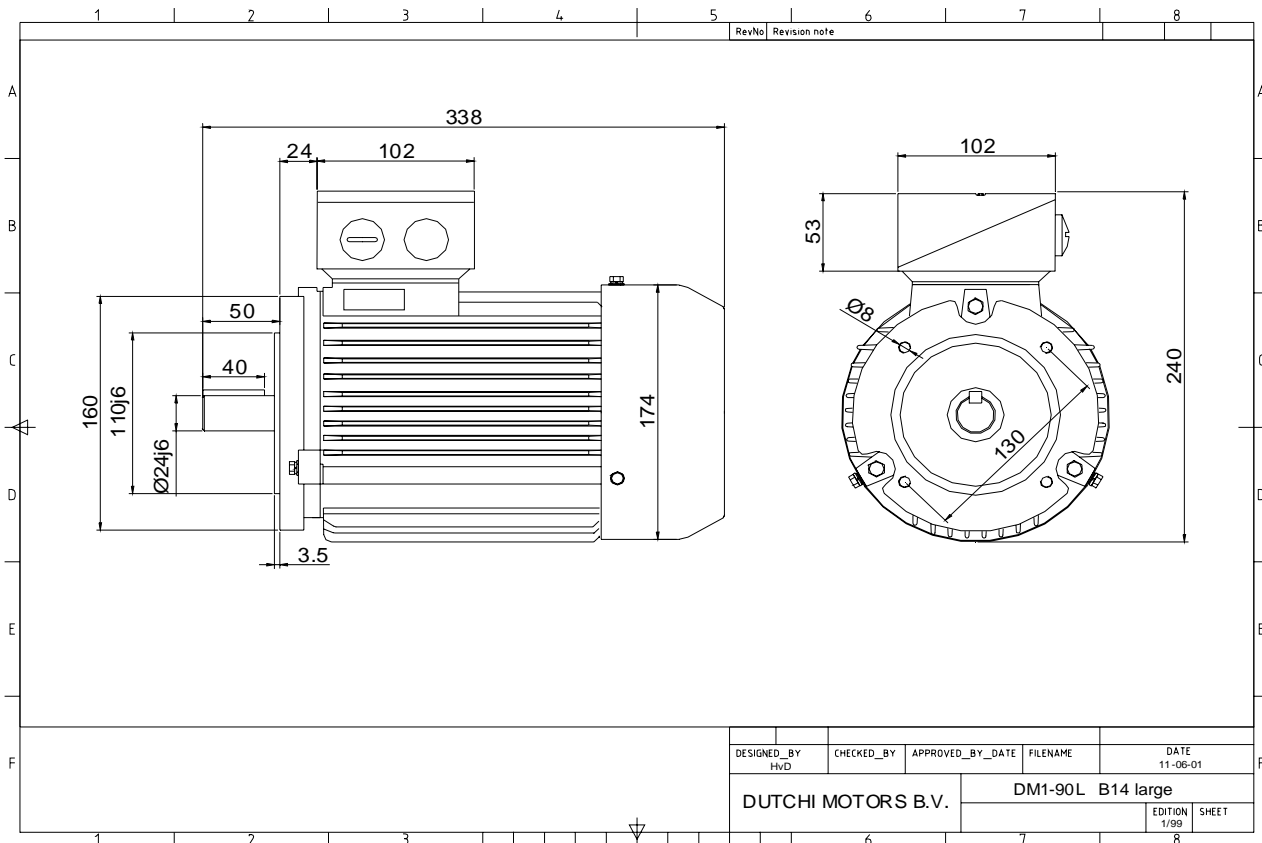
Sound pressure level (1m) **49,5** dB(A)
 Resistance R20 (open) **3,88** Ω
 Resistance R20 **Y 7,76** Ω

Full load torque **10,31** Nm
 DOL Starting torque vs FL torque **2,56**
 DOL Pull up torque vs FL torque **1,77**
 DOL Pull out torque vs FL torque **3,15**
 Star-Delta Starting torque vs FL torque **Y - motor**
 Star-Delta Pull up torque vs FL torque **Y - motor**
 Star-Delta Pull out torque vs FL torque **Y - motor**
 DOL Starting current vs FL current **6,29**
 Star Delta Starting current vs FL current **Y - motor**
 Rotor Inertia **0,0027** kgm²

Bearing DE **6205 - ZZ C3**
 Bearing NDE **6205 - ZZ C3**

WI	Change	date	sign.
Dutchi Motors B.V. P.O. Box 5390 NL-6802 EJ ARNHEM Tel : +31-(0)26 - 3541 600 Fax : +31-(0)26 - 3541 650		Description	date
		Drawing made by :	19-04-04
		dutchi.motors@dutchi.nl www.dutchi.com	

Power is our commodity, the world is our market !



Specification **IEC 60034-1**
 Manufacturer **Dutchi Motors B.V.**
 Motor type **DM1- 90 L4**
 Rated power **1,5** kW **S1** duty
 Speed **1390** r.p.m
 Voltage **230 / 400** V
 Frequency **50** Hz
 Connection **Δ / Y**
 Amps full load **6,06 / 3,50** A
 Amps no-load(400V) **2,10** A
 Enclosure **IP 55**
 Insulation Class **F (temp. rise B (80 K))**

Max. coolant temp. **40°C**
 Max. altitude **1.000** mtr, above sea level
 Comment **3 x PTC 150°C**
 Cable entries **2 x M25x1,5 + 1 x M20x1,5 (ptc)**

Feature **Cast-iron motor**
 Weight **28,0** kg
 Catalog no. **11424150D**
 Warranty **12~18 months**

Efficiency class **EFF 2**
 Load data 100% 75% 50% 25%
 Efficiency **78,7 78,6 75,2 63,9** %
 Power factor **0,79 0,71 0,57 0,38**

Sound pressure level (1m) **49,5** dB(A)
 Resistance R20 (open) **3,88** Ω
 Resistance R20 **Y 7,76** Ω

Full load torque **10,31** Nm
 DOL Starting torque vs FL torque **2,56**
 DOL Pull up torque vs FL torque **1,77**
 DOL Pull out torque vs FL torque **3,15**
 Star-Delta Starting torque vs FL torque **Y - motor**
 Star-Delta Pull up torque vs FL torque **Y - motor**
 Star-Delta Pull out torque vs FL torque **Y - motor**
 DOL Starting current vs FL current **6,29**
 Star Delta Starting current vs FL current **Y - motor**
 Rotor Inertia **0,0027** kgm²

Bearing DE **6205 - ZZ C3**
 Bearing NDE **6205 - ZZ C3**

WI	Change	date	sign.
Dutchi Motors B.V.		Description	date
P.O. Box 5390		Drawing made by :	19-04-04
NL-6802 EJ ARNHEM			HvD
Tel : +31-(0)26 - 3541 600		dutchi.motors@dutchi.nl	
Fax : +31-(0)26 - 3541 650		www.dutchi.com	