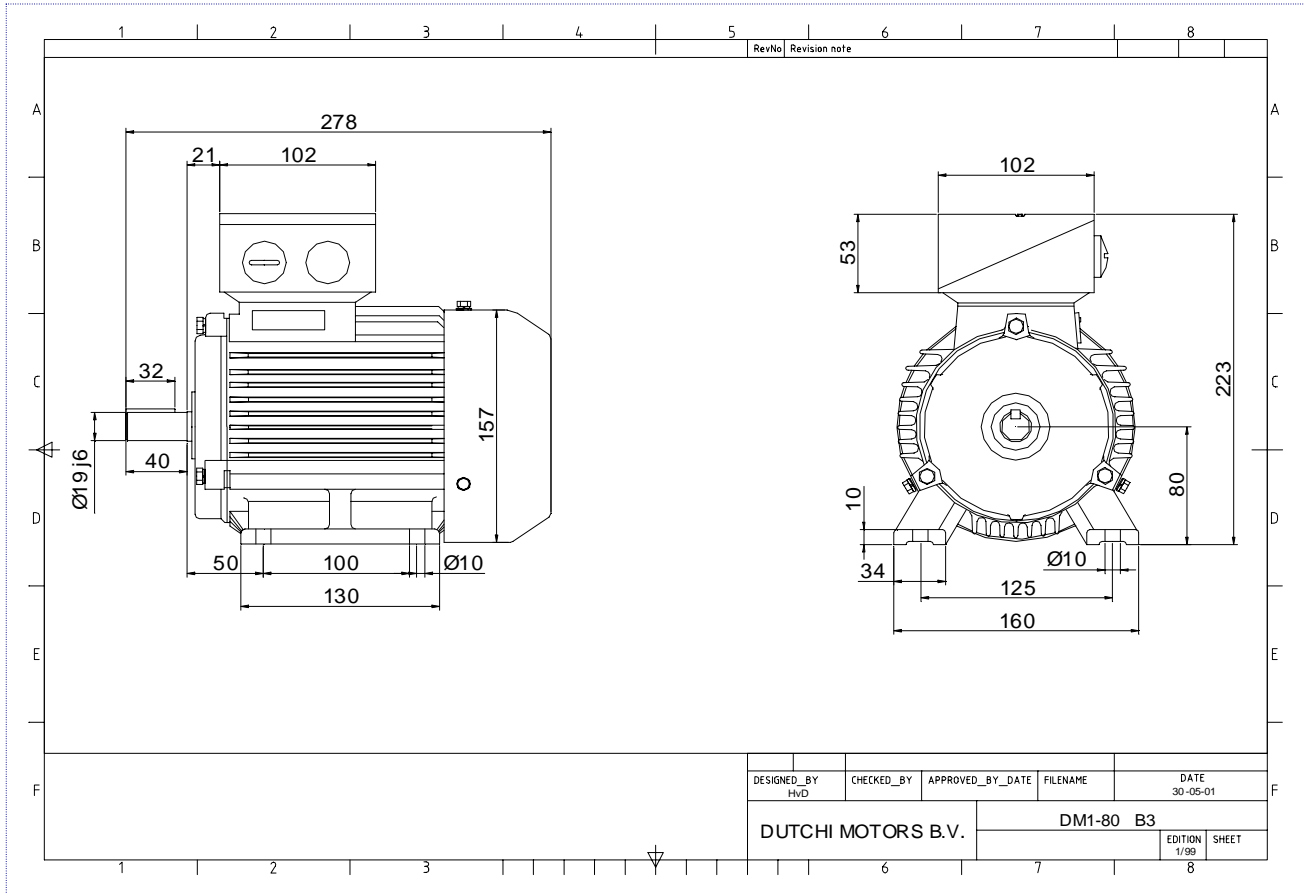


Power is our commodity, the world is our market !



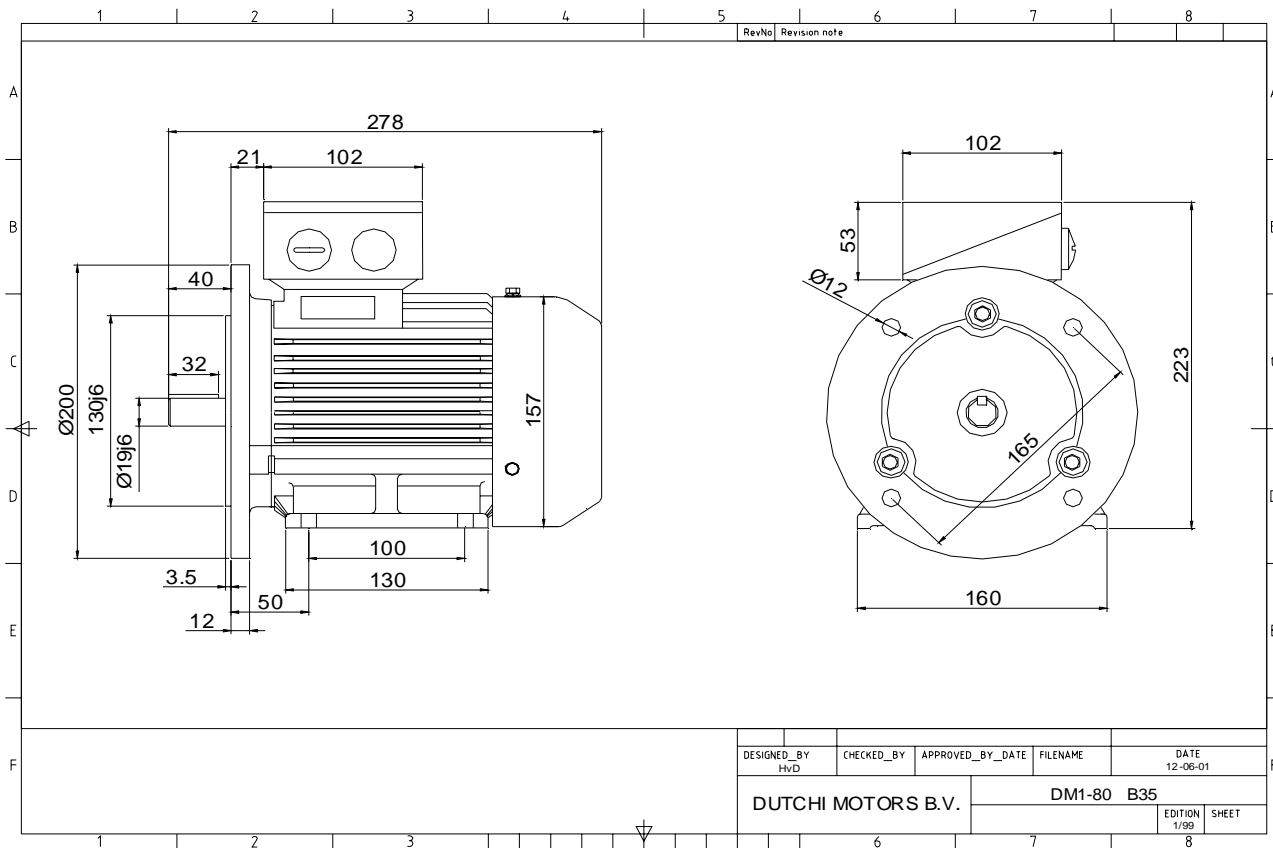
Specification	IEC 60034-1
Manufacturer	Dutchi Motors B.V.
Motor type	DM1- 80 K4
Rated power	0,55 kW S1 duty
Speed	1390 r.p.m
Voltage	230 / 400 V
Frequency	50 Hz
Connection	Δ / Y
Amps full load	2,57 / 1,48 A
Amps no-load(400V)	1,10 A
Enclosure	IP 55
Insulation Class	F (temp. rise B (80 K))
Max. coolant temp.	40°C
Max. altitude	1.000 mtr, above sea level
Comment	3 x PTC 150°C
Cable entries	2 x M25x1,5 + 1 x M20x1,5 (ptc)
Feature	Cast-iron motor
Weight	17,0 kg
Catalog no.	11124055D
Warranty	12~18 months

Efficiency class	N/A			
Load data	100%	75%	50%	25%
Efficiency	70,0	68,4	62,0	47,8 %
Power factor	0,76	0,68	0,54	0,38
Sound pressure level (1m)				53,0 dB(A)
Resistance R20 (open)				13,22 Ω
Resistance R20	Y		26,43	Ω
Full load torque				3,78 Nm
DOL Starting torque vs FL torque				2,76
DOL Pull up torque vs FL torque				1,82
DOL Pull out torque vs FL torque				2,84
Star-Delta Starting torque vs FL torque				Y - motor
Star-Delta Pull up torque vs FL torque				Y - motor
Star-Delta Pull out torque vs FL torque				Y - motor
DOL Starting current vs FL current				4,73
Star Delta Starting current vs FL current				Y - motor
Rotor Inertia				0,0018 kgm ²
Bearing DE				6204 - ZZ
Bearing NDE				6204 - ZZ

Extras / Options :

WI	Change	date	sign.
Dutchi Motors B.V. P.O. Box 5390 NL-6802 EJ ARNHEM Tel : +31-(0)26 - 3541 600 Fax : +31-(0)26 - 3541 650		Discription	date
		Drawing made by :	19-04-04
		dutchi.motors@dutchi.nl www.dutchi.com	

Power is our commodity, the world is our market !



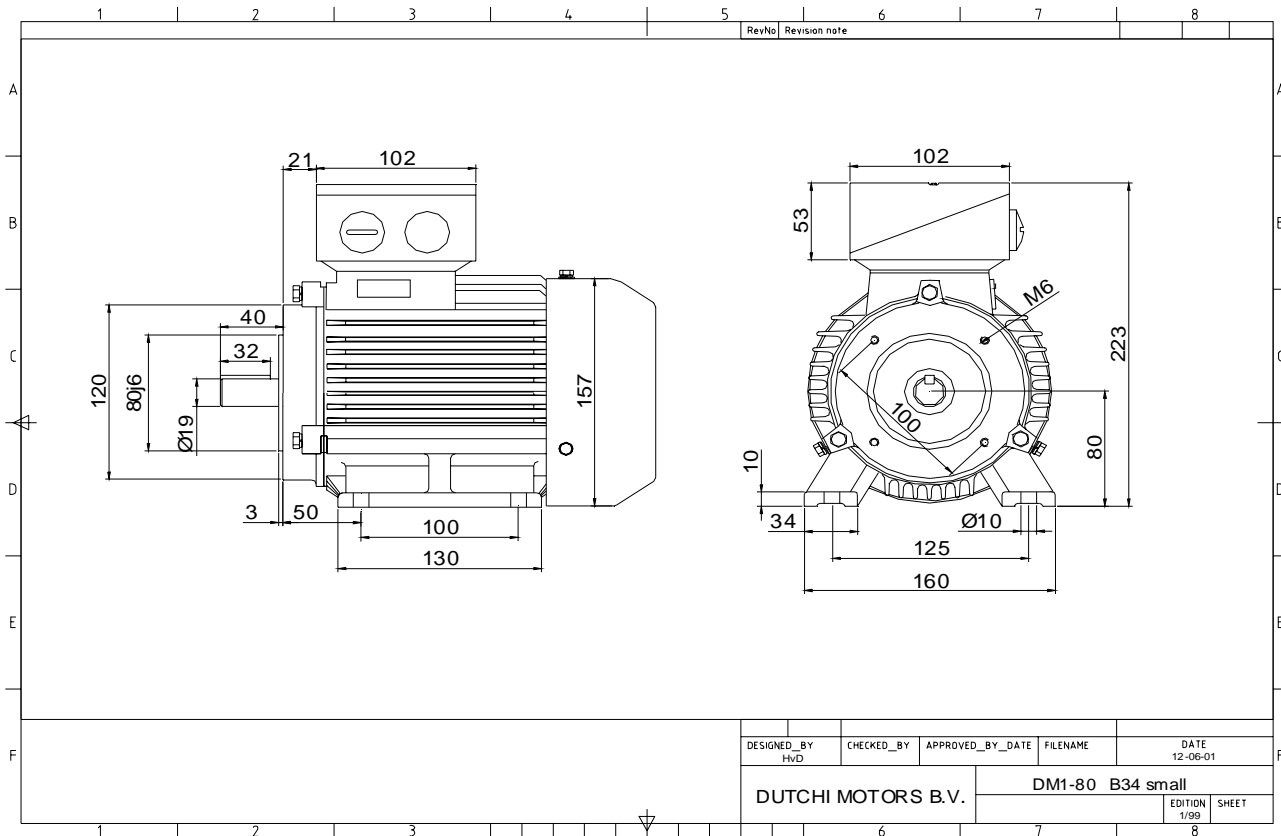
Specification	IEC 60034-1
Manufacturer	Dutchi Motors B.V.
Motor type	DM1- 80 K4
Rated power	0,55 kW S1 duty
Speed	1390 r.p.m
Voltage	230 / 400 V
Frequency	50 Hz
Connection	Δ / Y
Amps full load	2,57 / 1,48 A
Amps no-load(400V)	1,10 A
Enclosure	IP 55
Insulation Class	F (temp. rise B (80 K))
Max. coolant temp.	40°C
Max. altitude	1.000 mtr, above sea level
Comment	3 x PTC 150°C
Cable entries	2 x M25x1,5 + 1 x M20x1,5 (ptc)
Feature	Cast-iron motor
Weight	17,0 kg
Catalog no.	11524055D
Warranty	12~18 months

Efficiency class	N/A			
Load data	100%	75%	50%	25%
Efficiency	70,0	68,4	62,0	47,8 %
Power factor	0,76	0,68	0,54	0,38
Sound pressure level (1m)				53,0 dB(A)
Resistance R20 (open)				13,22 Ω
Resistance R20	Y		26,43	Ω
Full load torque				3,78 Nm
DOL Starting torque vs FL torque				2,76
DOL Pull up torque vs FL torque				1,82
DOL Pull out torque vs FL torque				2,84
Star-Delta Starting torque vs FL torque				Y - motor
Star-Delta Pull up torque vs FL torque				Y - motor
Star-Delta Pull out torque vs FL torque				Y - motor
DOL Starting current vs FL current				4,73
Star Delta Starting current vs FL current				Y - motor
Rotor Inertia				0,0018 kgm ²
Bearing DE				6204 - ZZ
Bearing NDE				6204 - ZZ

Extras / Options :

WI	Change	date	sign.
Dutchi Motors B.V. P.O. Box 5390 NL-6802 EJ ARNHEM Tel : +31-(0)26 - 3541 600 Fax : +31-(0)26 - 3541 650		Discription Drawing made by :	date 19-04-04
dutchi.motors@dutchi.nl www.dutchi.com		sign. HvD	

Power is our commodity, the world is our market !



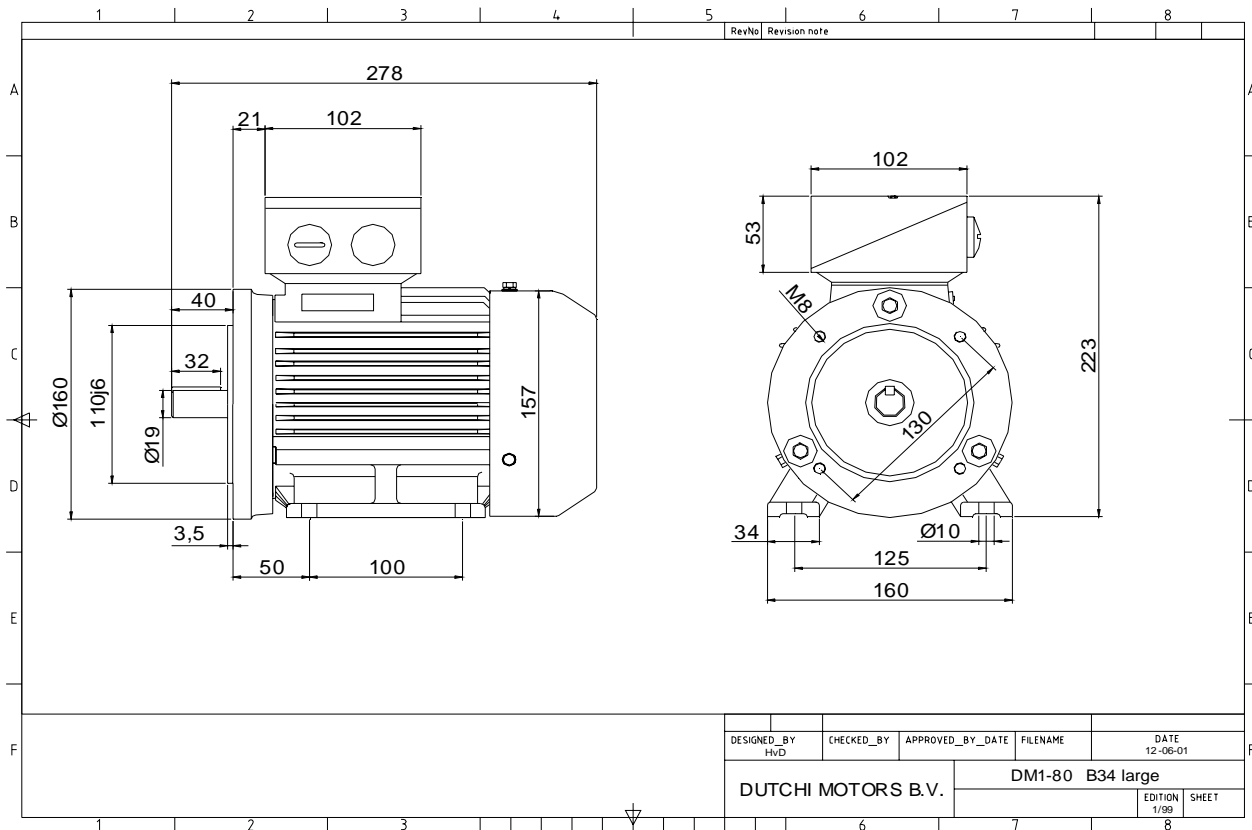
Specification	IEC 60034-1
Manufacturer	Dutchi Motors B.V.
Motor type	DM1- 80 K4
Rated power	0,55 kW S1 duty
Speed	1390 r.p.m
Voltage	230 / 400 V
Frequency	50 Hz
Connection	Δ / Y
Amps full load	2,57 / 1,48 A
Amps no-load(400V)	1,10 A
Enclosure	IP 55
Insulation Class	F (temp. rise B (80 K))
Max. coolant temp.	40°C
Max. altitude	1.000 mtr, above sea level
Comment	3 x PTC 150°C
Cable entries	2 x M25x1,5 + 1 x M20x1,5 (ptc)
Feature	Cast-iron motor
Weight	17,0 kg
Catalog no.	11624055D
Warranty	12~18 months

Efficiency class	N/A			
Load data	100%	75%	50%	25%
Efficiency	70,0	68,4	62,0	47,8 %
Power factor	0,76	0,68	0,54	0,38
Sound pressure level (1m)				53,0 dB(A)
Resistance R20 (open)				13,22 Ω
Resistance R20	Y		26,43	Ω
Full load torque				3,78 Nm
DOL Starting torque vs FL torque				2,76
DOL Pull up torque vs FL torque				1,82
DOL Pull out torque vs FL torque				2,84
Star-Delta Starting torque vs FL torque				Y - motor
Star-Delta Pull up torque vs FL torque				Y - motor
Star-Delta Pull out torque vs FL torque				Y - motor
DOL Starting current vs FL current				4,73
Star Delta Starting current vs FL current				Y - motor
Rotor Inertia				0,0018 kgm ²
Bearing DE				6204 - ZZ
Bearing NDE				6204 - ZZ

Extras / Options :

WI	Change	date	sign.
Dutchi Motors B.V. P.O. Box 5390 NL-6802 EJ ARNHEM Tel : +31-(0)26 - 3541 600 Fax : +31-(0)26 - 3541 650		Description	date
		Drawing made by :	19-04-04
		dutchi.motors@dutchi.nl www.dutchi.com	

Power is our commodity, the world is our market !



Specification **IEC 60034-1**
 Manufacturer **Dutchi Motors B.V.**
 Motor type **DM1- 80 K4**
 Rated power **0,55** kW **S1** duty
 Speed **1390** r.p.m
 Voltage **230 / 400** V
 Frequency **50** Hz
 Connection **Δ / Y**
 Amps full load **2,57 / 1,48** A
 Amps no-load(400V) **1,10** A
 Enclosure **IP 55**
 Insulation Class **F (temp. rise B (80 K))**

Max. coolant temp. **40°C**
 Max. altitude **1.000** mtr, above sea level
 Comment **3 x PTC 150°C**
 Cable entries **2 x M25x1,5 + 1 x M20x1,5 (ptc)**

Feature **Cast-iron motor**
 Weight **17,0** kg
 Catalog no. **11724055D**
 Warranty **12~18 months**

Efficiency class **N/A**
 Load data 100% 75% 50% 25%
 Efficiency **70,0 68,4 62,0 47,8** %
 Power factor **0,76 0,68 0,54 0,38**

Sound pressure level (1m) **53,0** dB(A)
 Resistance R20 (open) **13,22** Ω
 Resistance R20 **Y 26,43** Ω

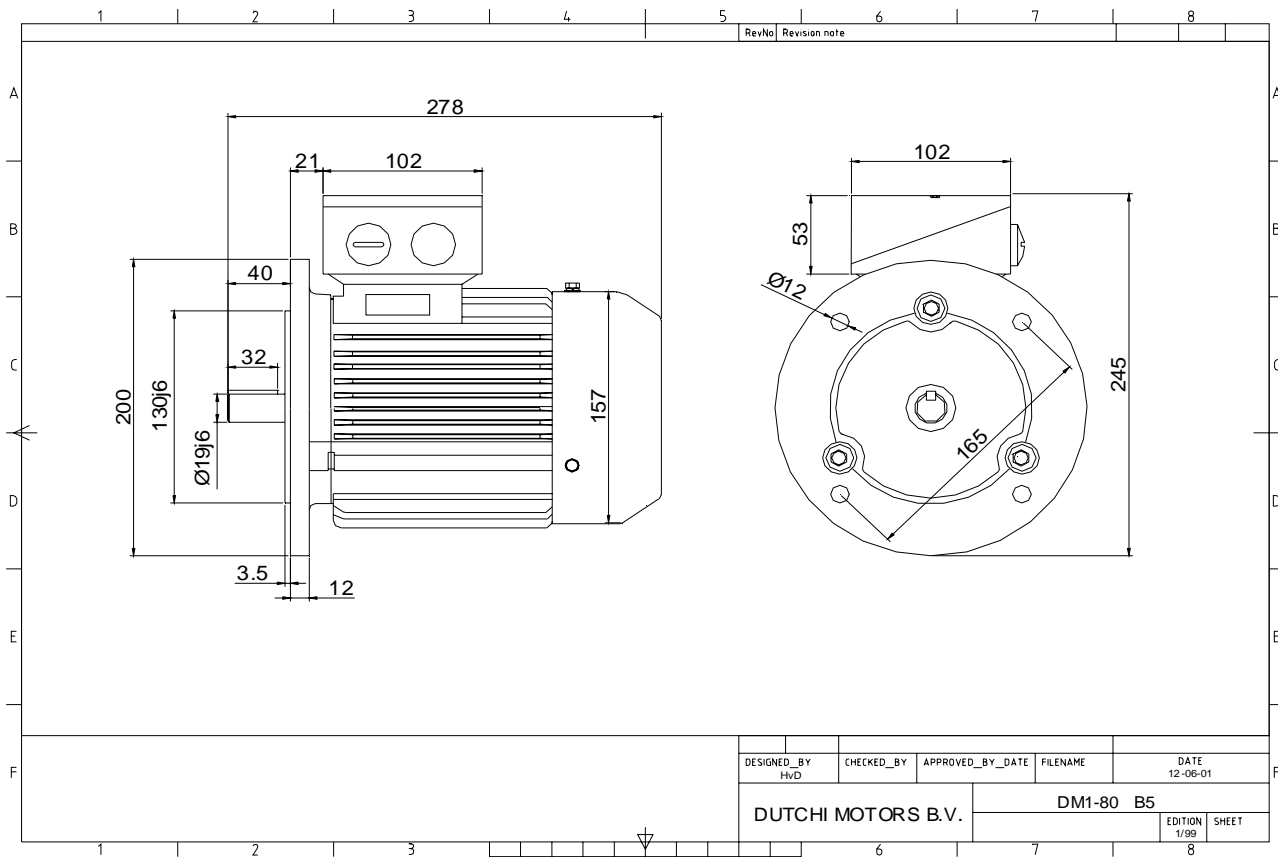
Full load torque **3,78** Nm
 DOL Starting torque vs FL torque **2,76**
 DOL Pull up torque vs FL torque **1,82**
 DOL Pull out torque vs FL torque **2,84**
 Star-Delta Starting torque vs FL torque **Y - motor**
 Star-Delta Pull up torque vs FL torque **Y - motor**
 Star-Delta Pull out torque vs FL torque **Y - motor**
 DOL Starting current vs FL current **4,73**
 Star Delta Starting current vs FL current **Y - motor**
 Rotor Inertia **0,0018** kgm²

Bearing DE **6204 - ZZ**
 Bearing NDE **6204 - ZZ**

Extras / Options :

WI	Change	date	sign.
Dutchi Motors B.V. P.O. Box 5390 NL-6802 EJ ARNHEM Tel : +31-(0)26 - 3541 600 Fax : +31-(0)26 - 3541 650		Description	date
		Drawing made by :	19-04-04
		dutchi.motors@dutchi.nl www.dutchi.com	

Power is our commodity, the world is our market !



Specification **IEC 60034-1**
 Manufacturer **Dutchi Motors B.V.**
 Motor type **DM1- 80 K4**
 Rated power **0,55** kW **S1** duty
 Speed **1390** r.p.m
 Voltage **230 / 400** V
 Frequency **50** Hz
 Connection **Δ / Y**
 Amps full load **2,57 / 1,48** A
 Amps no-load(400V) **1,10** A
 Enclosure **IP 55**
 Insulation Class **F (temp. rise B (80 K))**

Max. coolant temp. **40°C**
 Max. altitude **1.000** mtr, above sea level
 Comment **3 x PTC 150°C**
 Cable entries **2 x M25x1,5 + 1 x M20x1,5 (ptc)**

Feature **Cast-iron motor**
 Weight **17,0** kg
 Catalog no. **11224055D**
 Warranty **12~18 months**

Efficiency class **N/A**
 Load data 100% 75% 50% 25%
 Efficiency **70,0 68,4 62,0 47,8** %
 Power factor **0,76 0,68 0,54 0,38**

Sound pressure level (1m) **53,0** dB(A)
 Resistance R20 (open) **13,22** Ω
 Resistance R20 **Y 26,43** Ω

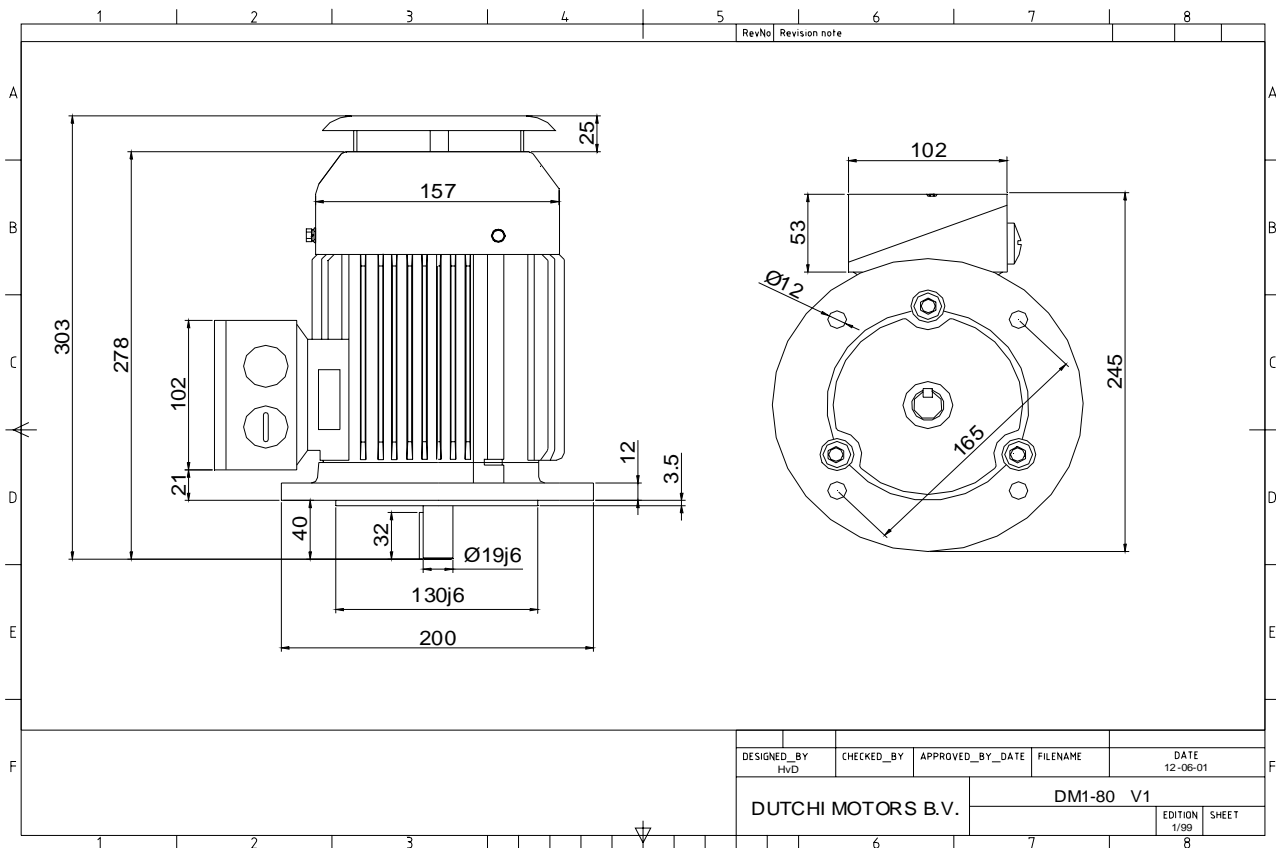
Full load torque **3,78** Nm
 DOL Starting torque vs FL torque **2,76**
 DOL Pull up torque vs FL torque **1,82**
 DOL Pull out torque vs FL torque **2,84**
 Star-Delta Starting torque vs FL torque **Y - motor**
 Star-Delta Pull up torque vs FL torque **Y - motor**
 Star-Delta Pull out torque vs FL torque **Y - motor**
 DOL Starting current vs FL current **4,73**
 Star Delta Starting current vs FL current **Y - motor**
 Rotor Inertia **0,0018** kgm2

Bearing DE **6204 - ZZ**
 Bearing NDE **6204 - ZZ**

Extras / Options :

WI	Change	date	sign.
Dutchi Motors B.V.		Description	date
P.O. Box 5390		Drawing made by :	19-04-04
NL-6802 EJ ARNHEM			
Tel : +31-(0)26 - 3541 600		dutchi.motors@dutchi.nl	
Fax : +31-(0)26 - 3541 650		www.dutchi.com	

Power is our commodity, the world is our market !



DESIGNED_BY HvD	CHECKED_BY	APPROVED_BY_DATE	FILENAME	DATE 12-06-01
DUTCHI MOTORS B.V.			DM1-80 V1	EDITION 1/99
				SHEET

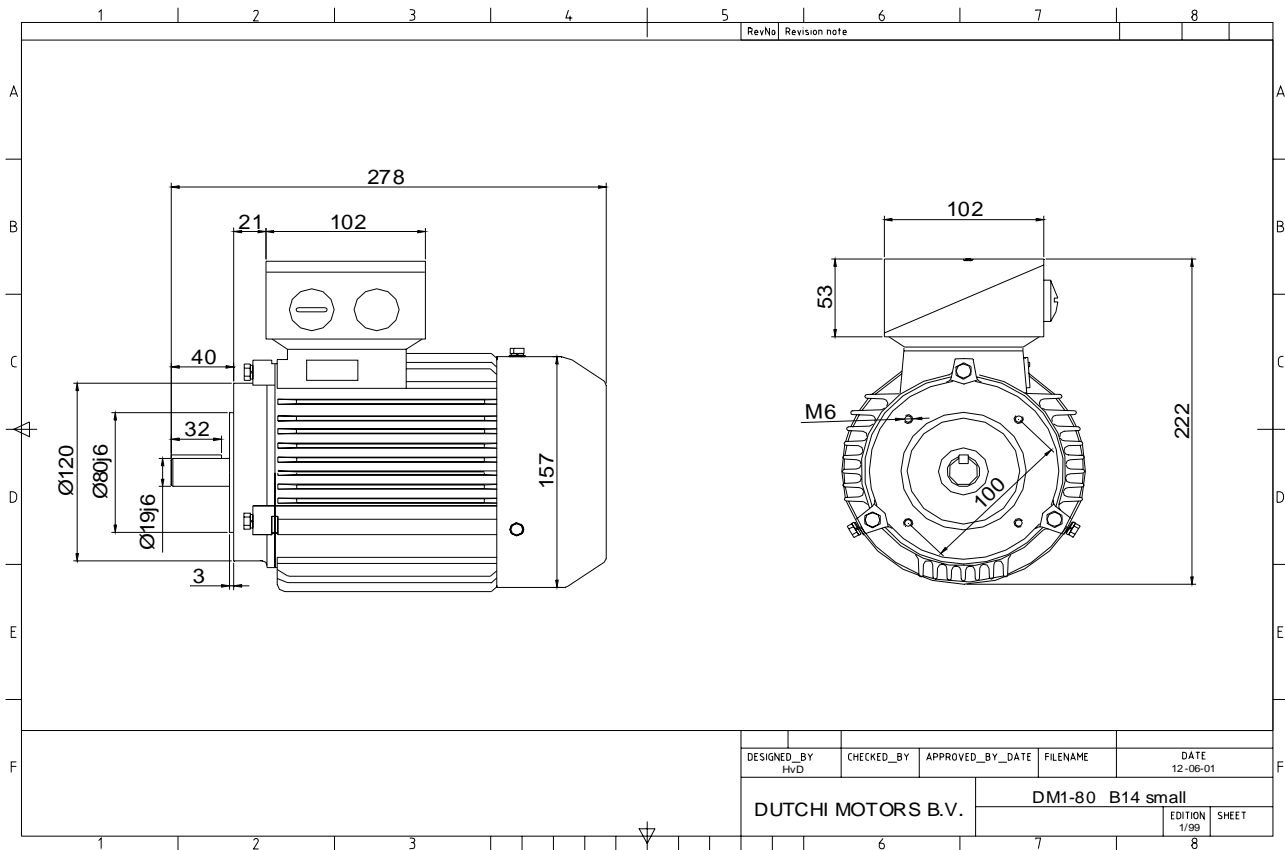
Specification	IEC 60034-1
Manufacturer	Dutchi Motors B.V.
Motor type	DM1- 80 K4
Rated power	0,55 kW S1 duty
Speed	1390 r.p.m
Voltage	230 / 400 V
Frequency	50 Hz
Connection	Δ / Y
Amps full load	2,57 / 1,48 A
Amps no-load(400V)	1,10 A
Enclosure	IP 55
Insulation Class	F (temp. rise B (80 K))
Max. coolant temp.	40°C
Max. altitude	1.000 mtr, above sea level
Comment	3 x PTC 150°C
Cable entries	2 x M25x1,5 + 1 x M20x1,5 (ptc)
Feature	Cast-iron motor
Weight	17,0 kg
Catalog no.	11024055D
Warranty	12~18 months

Efficiency class	N/A			
Load data	100%	75%	50%	25%
Efficiency	70,0	68,4	62,0	47,8 %
Power factor	0,76	0,68	0,54	0,38
Sound pressure level (1m)				53,0 dB(A)
Resistance R20 (open)				13,22 Ω
Resistance R20	Y		26,43	Ω
Full load torque				3,78 Nm
DOL Starting torque vs FL torque				2,76
DOL Pull up torque vs FL torque				1,82
DOL Pull out torque vs FL torque				2,84
Star-Delta Starting torque vs FL torque				Y - motor
Star-Delta Pull up torque vs FL torque				Y - motor
Star-Delta Pull out torque vs FL torque				Y - motor
DOL Starting current vs FL current				4,73
Star Delta Starting current vs FL current				Y - motor
Rotor Inertia				0,0018 kgm ²
Bearing DE				6204 - ZZ
Bearing NDE				6204 - ZZ

Extras / Options :

WI	Change	date	sign.
Dutchi Motors B.V. P.O. Box 5390 NL-6802 EJ ARNHEM Tel : +31-(0)26 - 3541 600 Fax : +31-(0)26 - 3541 650		Discription Drawing made by :	date 19-04-04 sign. HvD
		dutchi.motors@dutchi.nl www.dutchi.com	

Power is our commodity, the world is our market !



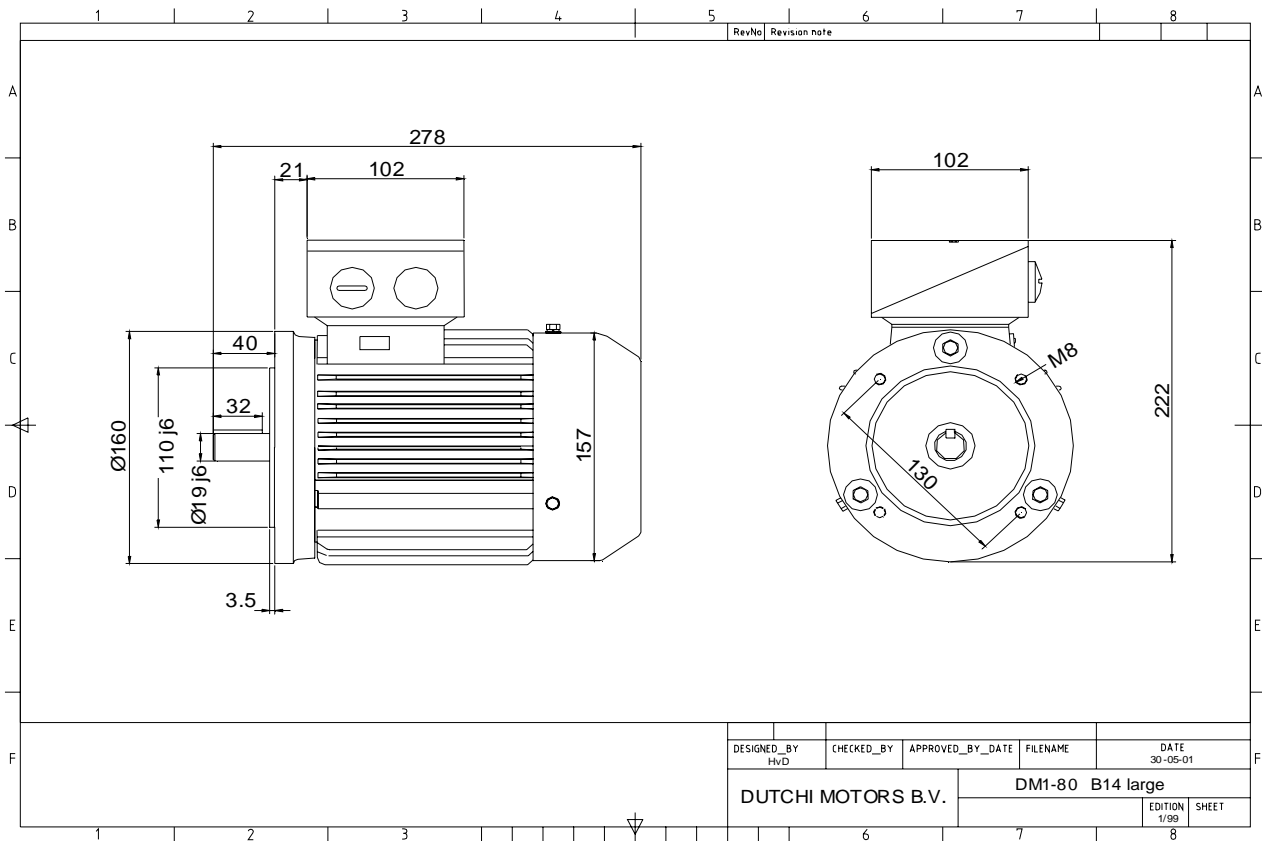
Specification	IEC 60034-1
Manufacturer	Dutchi Motors B.V.
Motor type	DM1- 80 K4
Rated power	0,55 kW S1 duty
Speed	1390 r.p.m
Voltage	230 / 400 V
Frequency	50 Hz
Connection	Δ / Y
Amps full load	2,57 / 1,48 A
Amps no-load(400V)	1,10 A
Enclosure	IP 55
Insulation Class	F (temp. rise B (80 K))
Max. coolant temp.	40°C
Max. altitude	1.000 mtr, above sea level
Comment	3 x PTC 150°C
Cable entries	2 x M25x1,5 + 1 x M20x1,5 (ptc)
Feature	Cast-iron motor
Weight	17,0 kg
Catalog no.	11324055D
Warranty	12~18 months

Efficiency class	N/A			
Load data	100%	75%	50%	25%
Efficiency	70,0	68,4	62,0	47,8 %
Power factor	0,76	0,68	0,54	0,38
Sound pressure level (1m)				53,0 dB(A)
Resistance R20 (open)				13,22 Ω
Resistance R20	Y		26,43	Ω
Full load torque				3,78 Nm
DOL Starting torque vs FL torque				2,76
DOL Pull up torque vs FL torque				1,82
DOL Pull out torque vs FL torque				2,84
Star-Delta Starting torque vs FL torque				Y - motor
Star-Delta Pull up torque vs FL torque				Y - motor
Star-Delta Pull out torque vs FL torque				Y - motor
DOL Starting current vs FL current				4,73
Star Delta Starting current vs FL current				Y - motor
Rotor Inertia				0,0018 kgm ²
Bearing DE				6204 - ZZ
Bearing NDE				6204 - ZZ

Extras / Options :

WI	Change	date	sign.
Dutchi Motors B.V. P.O. Box 5390 NL-6802 EJ ARNHEM Tel : +31-(0)26 - 3541 600 Fax : +31-(0)26 - 3541 650		Description	date
		Drawing made by :	19-04-04
		dutchi.motors@dutchi.nl www.dutchi.com	

Power is our commodity, the world is our market !



Specification **IEC 60034-1**
 Manufacturer **Dutchi Motors B.V.**
 Motor type **DM1- 80 K4**
 Rated power **0,55** kW **S1** duty
 Speed **1390** r.p.m
 Voltage **230 / 400** V
 Frequency **50** Hz
 Connection **Δ / Y**
 Amps full load **2,57 / 1,48** A
 Amps no-load(400V) **1,10** A
 Enclosure **IP 55**
 Insulation Class **F (temp. rise B (80 K))**

Max. coolant temp. **40°C**
 Max. altitude **1.000** mtr, above sea level
 Comment **3 x PTC 150°C**
 Cable entries **2 x M25x1,5 + 1 x M20x1,5 (ptc)**

Feature **Cast-iron motor**
 Weight **17,0** kg
 Catalog no. **11424055D**
 Warranty **12~18 months**

Efficiency class **N/A**
 Load data 100% 75% 50% 25%
 Efficiency **70,0 68,4 62,0 47,8** %
 Power factor **0,76 0,68 0,54 0,38**

Sound pressure level (1m) **53,0** dB(A)
 Resistance R20 (open) **13,22** Ω
 Resistance R20 **Y 26,43** Ω

Full load torque **3,78** Nm
 DOL Starting torque vs FL torque **2,76**
 DOL Pull up torque vs FL torque **1,82**
 DOL Pull out torque vs FL torque **2,84**
 Star-Delta Starting torque vs FL torque **Y - motor**
 Star-Delta Pull up torque vs FL torque **Y - motor**
 Star-Delta Pull out torque vs FL torque **Y - motor**
 DOL Starting current vs FL current **4,73**
 Star Delta Starting current vs FL current **Y - motor**
 Rotor Inertia **0,0018** kgm²

Bearing DE **6204 - ZZ**
 Bearing NDE **6204 - ZZ**

Extras / Options :

WI	Change	date	sign.
Dutchi Motors B.V. P.O. Box 5390 NL-6802 EJ ARNHEM Tel : +31-(0)26 - 3541 600 Fax : +31-(0)26 - 3541 650		Description	date
		Drawing made by :	19-04-04
		dutchi.motors@dutchi.nl www.dutchi.com	