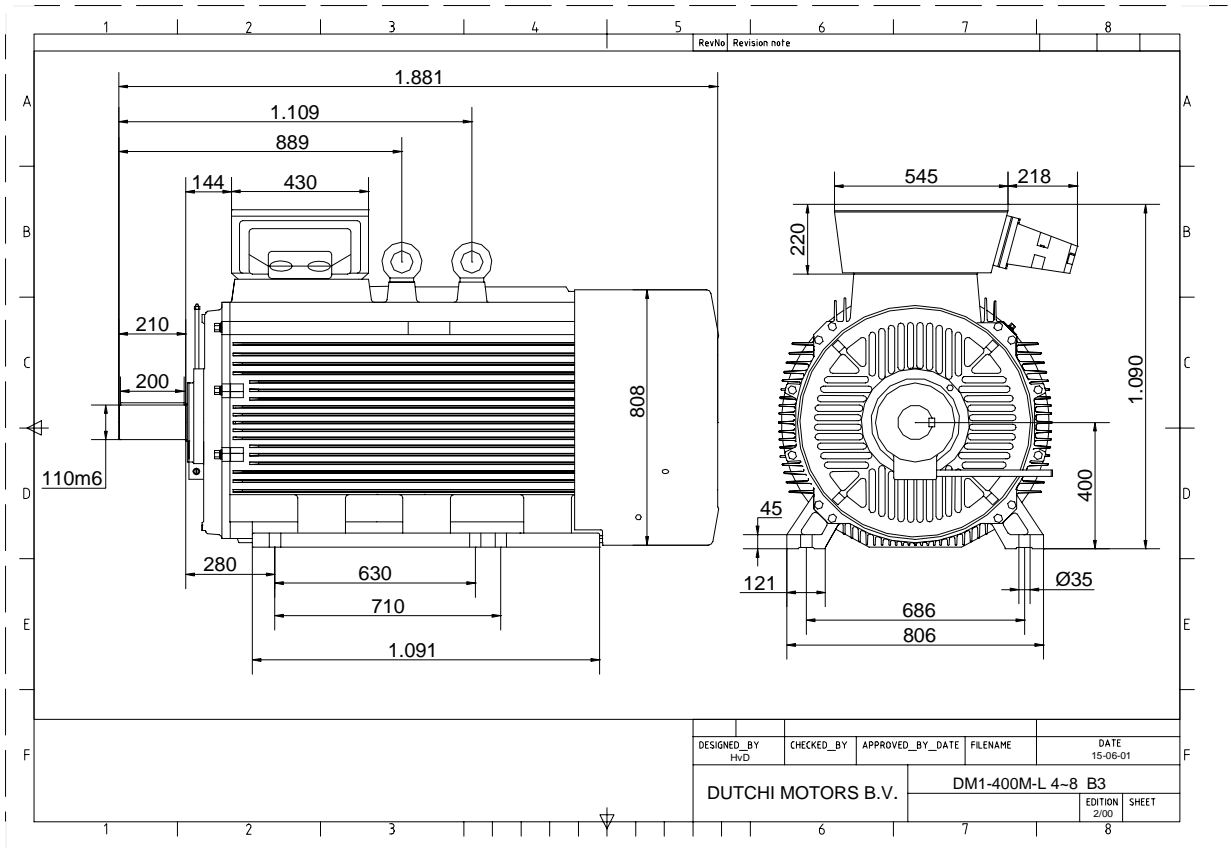


Power is our commodity, the world is our market !



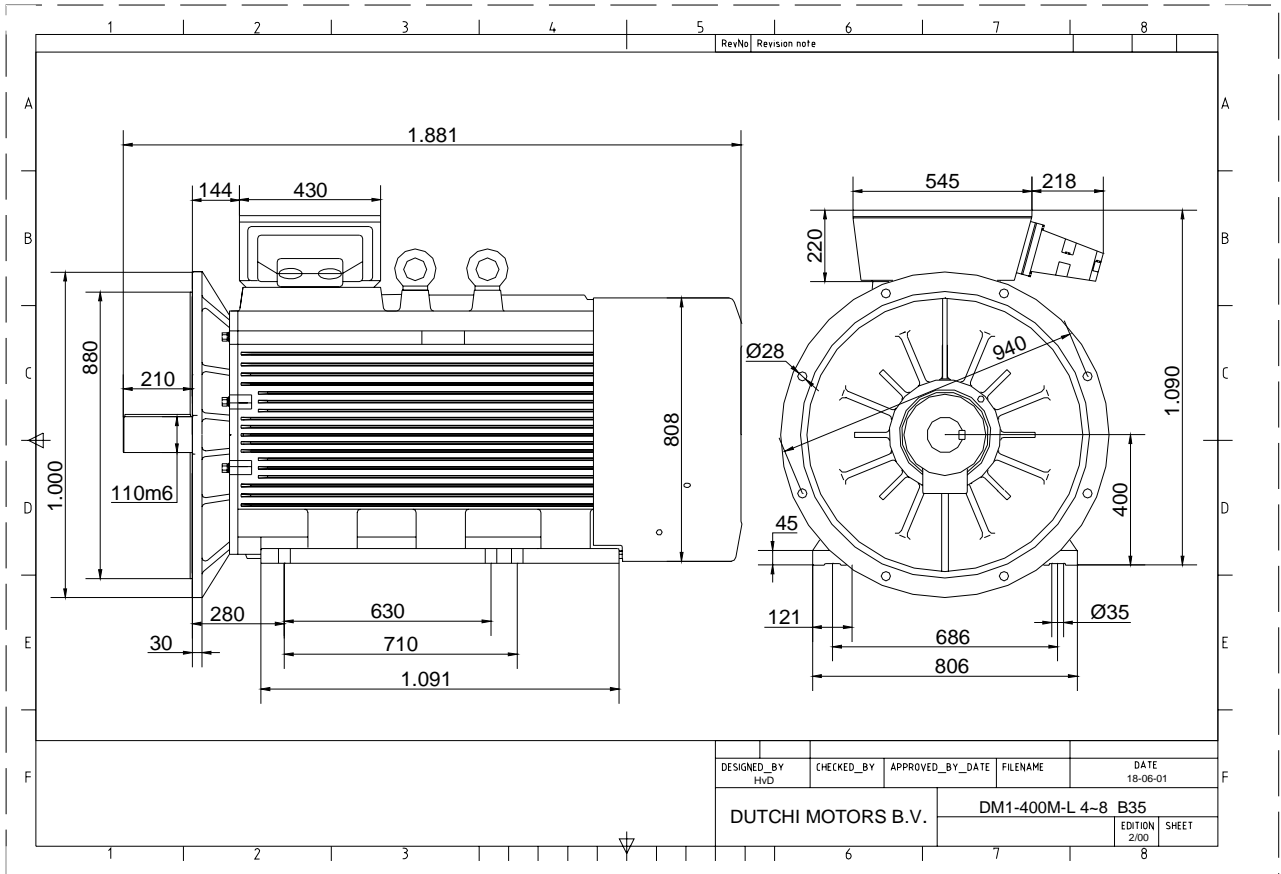
| | |
|--------------------|---|
| Specification | IEC 60034-1 |
| Manufacturer | Dutchi Motors B.V. |
| Motor type | DM1- 400 LZ4 |
| Rated power | 710 kW S1 duty |
| Speed | 1490 r.p.m |
| Voltage | 400 / 690 V |
| Frequency | 50 Hz |
| Connection | Δ / Y |
| Amps full load | 1181 / 682 A |
| Amps no-load(400V) | 340 A |
| Enclosure | IP 55 |
| Insulation Class | F (temp. rise F) |
| Max. coolant temp. | 40°C |
| Max. altitude | 1.000 mtr, above sea level |
| Comment | 3 x PTC 150°C |
| Cable entries | 2 x Ø 100 mm + 1 x M20x1,5 (ptc) |
| Feature | Cast-iron motor |
| Weight | 3540 kg |
| Catalog no. | 11134H10D |
| Warranty | 12~18 months |

| | | | | |
|---|-------------|-------------|-------------|--------------------------------|
| Efficiency class | N/A | | | |
| Load data | 100% | 75% | 50% | 25% |
| Efficiency | 95,9 | 95,5 | 94,4 | 90,4 % |
| Power factor | 0,90 | 0,88 | 0,82 | 0,64 |
| Sound pressure level (1m) | | | | 87,7 dB(A) |
| Resistance R20 (open) | | | | 0,00222 Ω |
| Resistance R20 | Δ | | | 0,00148 Ω |
| Full load torque | | | | 4551 Nm |
| DOL Starting torque vs FL torque | | | | 1,47 |
| DOL Pull up torque vs FL torque | | | | 1,32 |
| DOL Pull out torque vs FL torque | | | | 3,55 |
| Star-Delta Starting torque vs FL torque | | | | 0,46 |
| Star-Delta Pull up torque vs FL torque | | | | 0,41 |
| Star-Delta Pull out torque vs FL torque | | | | 1,11 |
| DOL Starting current vs FL current | | | | 7,06 |
| Star Delta Starting current vs FL current | | | | 2,21 |
| Rotor Inertia | | | | 21,80 kgm ² |
| Bearing DE | | | | 6326 - C3 or NU326 |
| Bearing NDE | | | | 6326 - C3 (IM V1 7326B) |

| |
|--|
| |
| |
| |
| Extras / Options : |
| Terminal box with extra 7 x M63x1,5 |
| |
| |

| | | | |
|----------------------------|--------|--------------------------------|----------|
| WI | Change | date | sign. |
| | | | |
| Dutchi Motors B.V. | | Discription | date |
| P.O. Box 5390 | | Drawing made by : | 19-04-04 |
| NL-6802 EJ ARNHEM | | | |
| Tel : +31-(0)26 - 3541 600 | | dutchi.motors@dutchi.nl | |
| Fax : +31-(0)26 - 3541 650 | | www.dutchi.com | |

Power is our commodity, the world is our market !



| | | | | |
|--------------------|------------|------------------|--------------------|------------------|
| DESIGNED_BY HvD | CHECKED_BY | APPROVED_BY_DATE | FILENAME | DATE 18-06-01 |
| DUTCHI MOTORS B.V. | | | DM1-400M-L 4-8 B35 | EDITION 2/00 |
| | | | | SHEET |

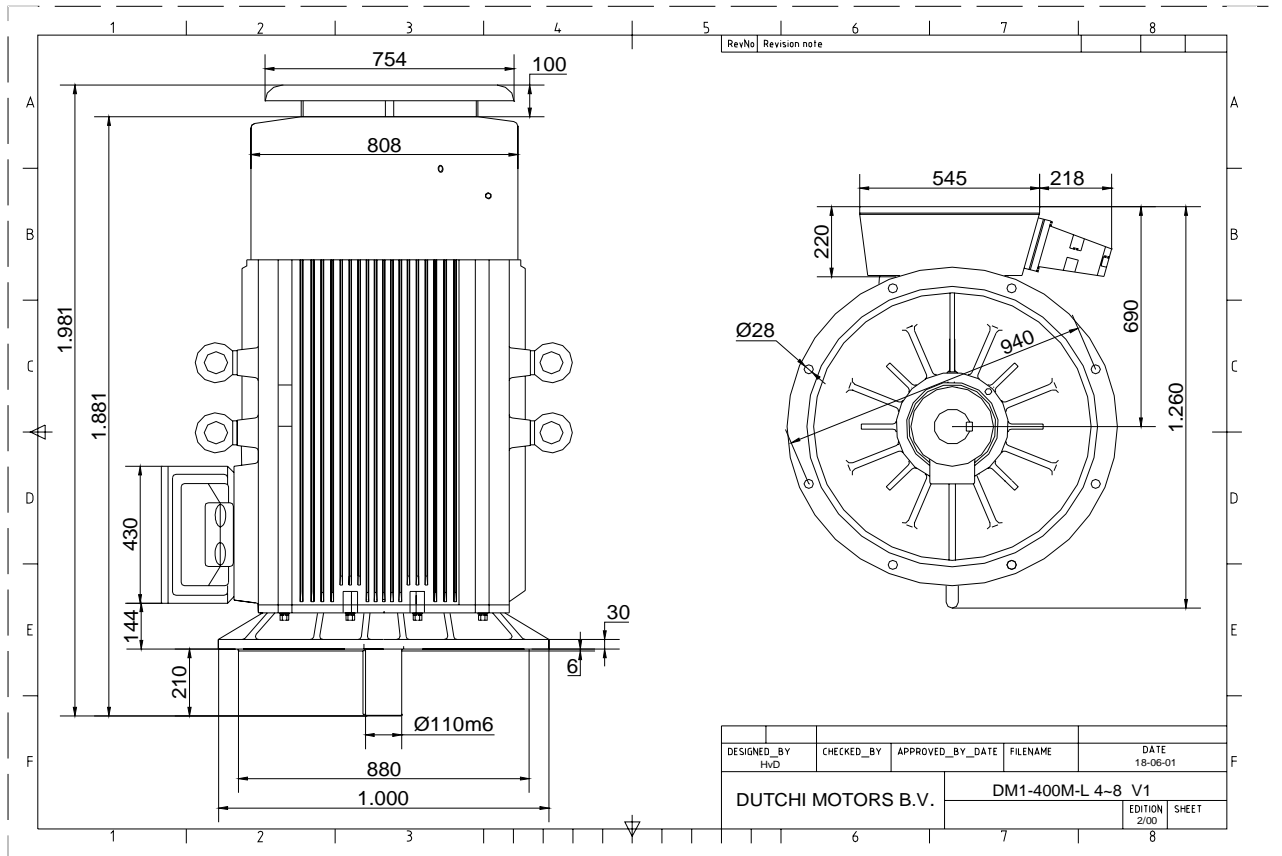
| | |
|--------------------|---|
| Specification | IEC 60034-1 |
| Manufacturer | Dutchi Motors B.V. |
| Motor type | DM1- 400 LZ4 |
| Rated power | 710 kW S1 duty |
| Speed | 1490 r.p.m |
| Voltage | 400 / 690 V |
| Frequency | 50 Hz |
| Connection | Δ / Y |
| Amps full load | 1181 / 682 A |
| Amps no-load(400V) | 340 A |
| Enclosure | IP 55 |
| Insulation Class | F (temp. rise F) |
| Max. coolant temp. | 40°C |
| Max. altitude | 1.000 mtr, above sea level |
| Comment | 3 x PTC 150°C |
| Cable entries | 2 x Ø 100 mm + 1 x M20x1,5 (ptc) |
| Feature | Cast-iron motor |
| Weight | 3540 kg |
| Catalog no. | 11534H10D |
| Warranty | 12~18 months |

| | | | | |
|---|-------------|-------------|-------------|--------------------------------|
| Efficiency class | N/A | | | |
| Load data | 100% | 75% | 50% | 25% |
| Efficiency | 95,9 | 95,5 | 94,4 | 90,4 % |
| Power factor | 0,90 | 0,88 | 0,82 | 0,64 |
| Sound pressure level (1m) | | | | 87,7 dB(A) |
| Resistance R20 (open) | | | | 0,00222 Ω |
| Resistance R20 | Δ | | | 0,00148 Ω |
| Full load torque | | | | 4551 Nm |
| DOL Starting torque vs FL torque | | | | 1,47 |
| DOL Pull up torque vs FL torque | | | | 1,32 |
| DOL Pull out torque vs FL torque | | | | 3,55 |
| Star-Delta Starting torque vs FL torque | | | | 0,46 |
| Star-Delta Pull up torque vs FL torque | | | | 0,41 |
| Star-Delta Pull out torque vs FL torque | | | | 1,11 |
| DOL Starting current vs FL current | | | | 7,06 |
| Star Delta Starting current vs FL current | | | | 2,21 |
| Rotor Inertia | | | | 21,80 kgm ² |
| Bearing DE | | | | 6326 - C3 or NU326 |
| Bearing NDE | | | | 6326 - C3 (IM V1 7326B) |

| |
|--|
| |
| |
| |
| |
| Extras / Options : |
| Terminal box with extra 7 x M63x1,5 |
| |
| |

| | | | |
|---|--------|---|----------------------------------|
| WI | Change | date | sign. |
| | | | |
| Dutchi Motors B.V. P.O. Box 5390 NL-6802 EJ ARNHEM Tel : +31-(0)26 - 3541 600 Fax : +31-(0)26 - 3541 650 | | Discription Drawing made by : | date 19-04-04 sign. HvD |
| | | dutchi.motors@dutchi.nl www.dutchi.com | |

Power is our commodity, the world is our market !



| | |
|--------------------|---|
| Specification | IEC 60034-1 |
| Manufacturer | Dutchi Motors B.V. |
| Motor type | DM1- 400 LZ4 |
| Rated power | 710 kW S1 duty |
| Speed | 1490 r.p.m |
| Voltage | 400 / 690 V |
| Frequency | 50 Hz |
| Connection | Δ / Y |
| Amps full load | 1181 / 682 A |
| Amps no-load(400V) | 340 A |
| Enclosure | IP 55 |
| Insulation Class | F (temp. rise F) |
| Max. coolant temp. | 40°C |
| Max. altitude | 1.000 mtr, above sea level |
| Comment | 3 x PTC 150°C |
| Cable entries | 2 x Ø 100 mm + 1 x M20x1,5 (ptc) |
| Feature | Cast-iron motor |
| Weight | 3540 kg |
| Catalog no. | 11034H10D |
| Warranty | 12~18 months |

| | | | | |
|---|-------------|-------------|-------------|--------------------------------|
| Efficiency class | N/A | | | |
| Load data | 100% | 75% | 50% | 25% |
| Efficiency | 95,9 | 95,5 | 94,4 | 90,4 % |
| Power factor | 0,90 | 0,88 | 0,82 | 0,64 |
| Sound pressure level (1m) | | | | 87,7 dB(A) |
| Resistance R20 (open) | | | | 0,00222 Ω |
| Resistance R20 | Δ | | | 0,00148 Ω |
| Full load torque | | | | 4551 Nm |
| DOL Starting torque vs FL torque | | | | 1,47 |
| DOL Pull up torque vs FL torque | | | | 1,32 |
| DOL Pull out torque vs FL torque | | | | 3,55 |
| Star-Delta Starting torque vs FL torque | | | | 0,46 |
| Star-Delta Pull up torque vs FL torque | | | | 0,41 |
| Star-Delta Pull out torque vs FL torque | | | | 1,11 |
| DOL Starting current vs FL current | | | | 7,06 |
| Star Delta Starting current vs FL current | | | | 2,21 |
| Rotor Inertia | | | | 21,80 kgm ² |
| Bearing DE | | | | 6326 - C3 or NU326 |
| Bearing NDE | | | | 6326 - C3 (IM V1 7326B) |

| |
|--|
| |
| |
| |
| Extras / Options : |
| Terminal box with extra 7 x M63x1,5 |
| |
| |

| | | | |
|----------------------------|--------|--------------------------------|----------|
| WI | Change | date | sign. |
| | | | |
| Dutchi Motors B.V. | | Discription | date |
| P.O. Box 5390 | | Drawing made by : | 19-04-04 |
| NL-6802 EJ ARNHEM | | | |
| Tel : +31-(0)26 - 3541 600 | | dutchi.motors@dutchi.nl | |
| Fax : +31-(0)26 - 3541 650 | | www.dutchi.com | |