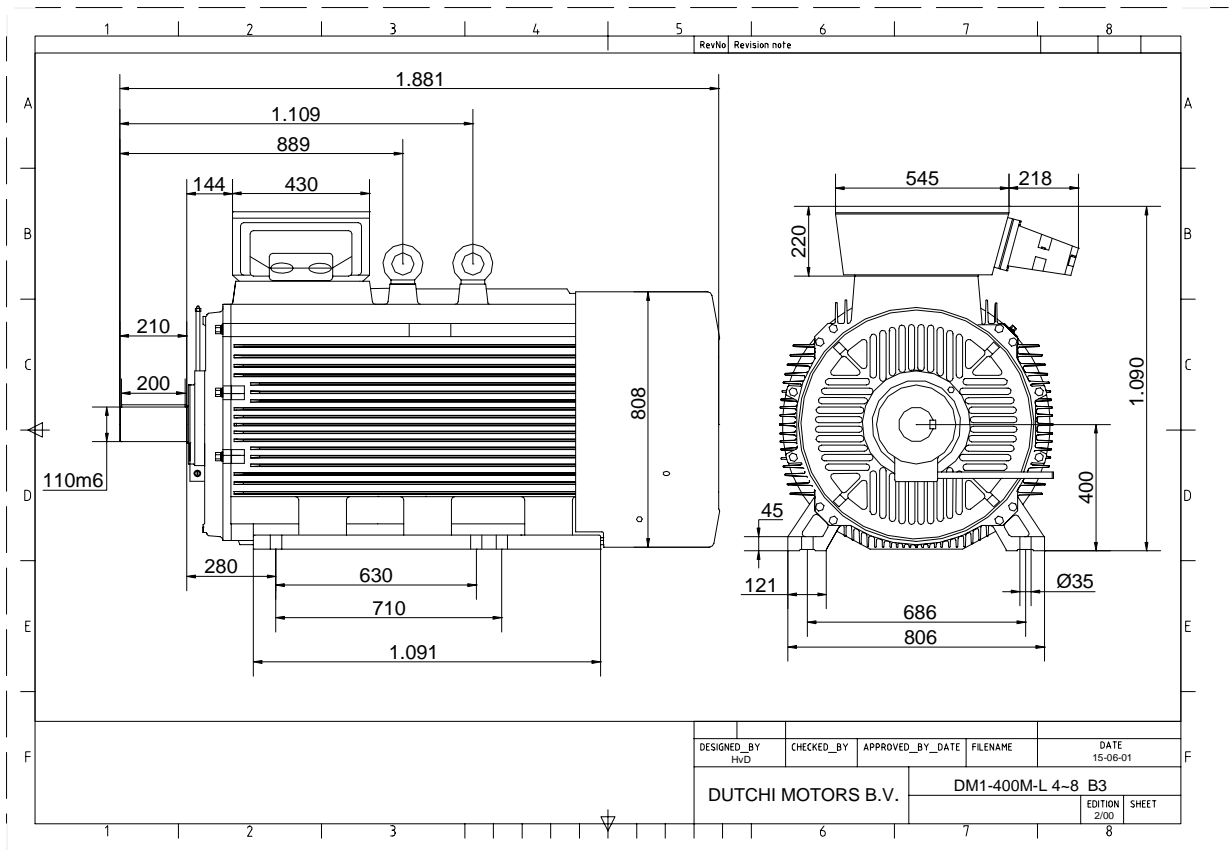


Power is our commodity, the world is our market !



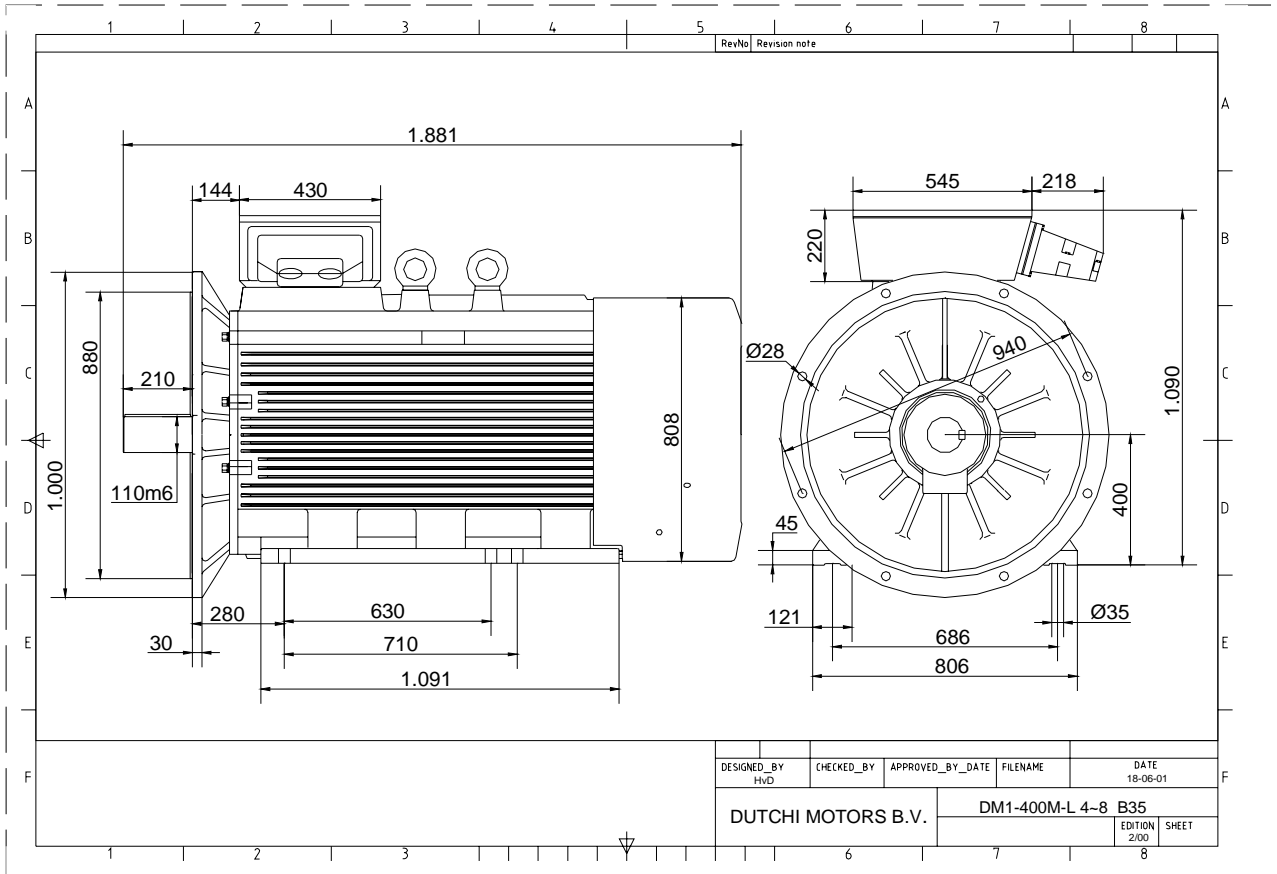
Specification	IEC 60034-1
Manufacturer	Dutchi Motors B.V.
Motor type	DM1- 400 LY4
Rated power	630 kW S1 duty
Speed	1485 r.p.m
Voltage	400 / 690 V
Frequency	50 Hz
Connection	Δ / Y
Amps full load	1052 / 608 A
Amps no-load(400V)	234 A
Enclosure	IP 55
Insulation Class	F (temp. rise B (80 K))
Max. coolant temp.	40°C
Max. altitude	1.000 mtr, above sea level
Comment	3 x PTC 150°C
Cable entries	2 x Ø 100 mm + 1 x M20x1,5 (ptc)
Feature	Cast-iron motor
Weight	3430 kg
Catalog no.	11134G30D
Warranty	12~18 months

Efficiency class	N/A			
Load data	100%	75%	50%	25%
Efficiency	96,2	96,0	95,1	91,7 %
Power factor	0,90	0,89	0,86	0,71
Sound pressure level (1m)				88,3 dB(A)
Resistance R20 (open)				0,00279 Ω
Resistance R20	Δ			0,00186 Ω
Full load torque				4052 Nm
DOL Starting torque vs FL torque				1,32
DOL Pull up torque vs FL torque				1,30
DOL Pull out torque vs FL torque				2,80
Star-Delta Starting torque vs FL torque				0,41
Star-Delta Pull up torque vs FL torque				0,40
Star-Delta Pull out torque vs FL torque				0,87
DOL Starting current vs FL current				5,78
Star Delta Starting current vs FL current				1,80
Rotor Inertia				21,10 kgm ²
Bearing DE				6326 - C3 or NU326
Bearing NDE				6326 - C3 (IM V1 7326B)

Extras / Options :
Terminal box with extra 7 x M63x1,5

WI	Change	date	sign.
Dutchi Motors B.V. P.O. Box 5390 NL-6802 EJ ARNHEM Tel : +31-(0)26 - 3541 600 Fax : +31-(0)26 - 3541 650		Discription Drawing made by :	date 19-04-04 sign. HVD
		dutchi.motors@dutchi.nl www.dutchi.com	

Power is our commodity, the world is our market !



Specification	IEC 60034-1
Manufacturer	Dutchi Motors B.V.
Motor type	DM1- 400 LY4
Rated power	630 kW S1 duty
Speed	1485 r.p.m
Voltage	400 / 690 V
Frequency	50 Hz
Connection	Δ / Y
Amps full load	1052 / 608 A
Amps no-load(400V)	234 A
Enclosure	IP 55
Insulation Class	F (temp. rise B (80 K))

Max. coolant temp.	40°C
Max. altitude	1.000 mtr, above sea level
Comment	3 x PTC 150°C
Cable entries	2 x Ø 100 mm + 1 x M20x1,5 (ptc)

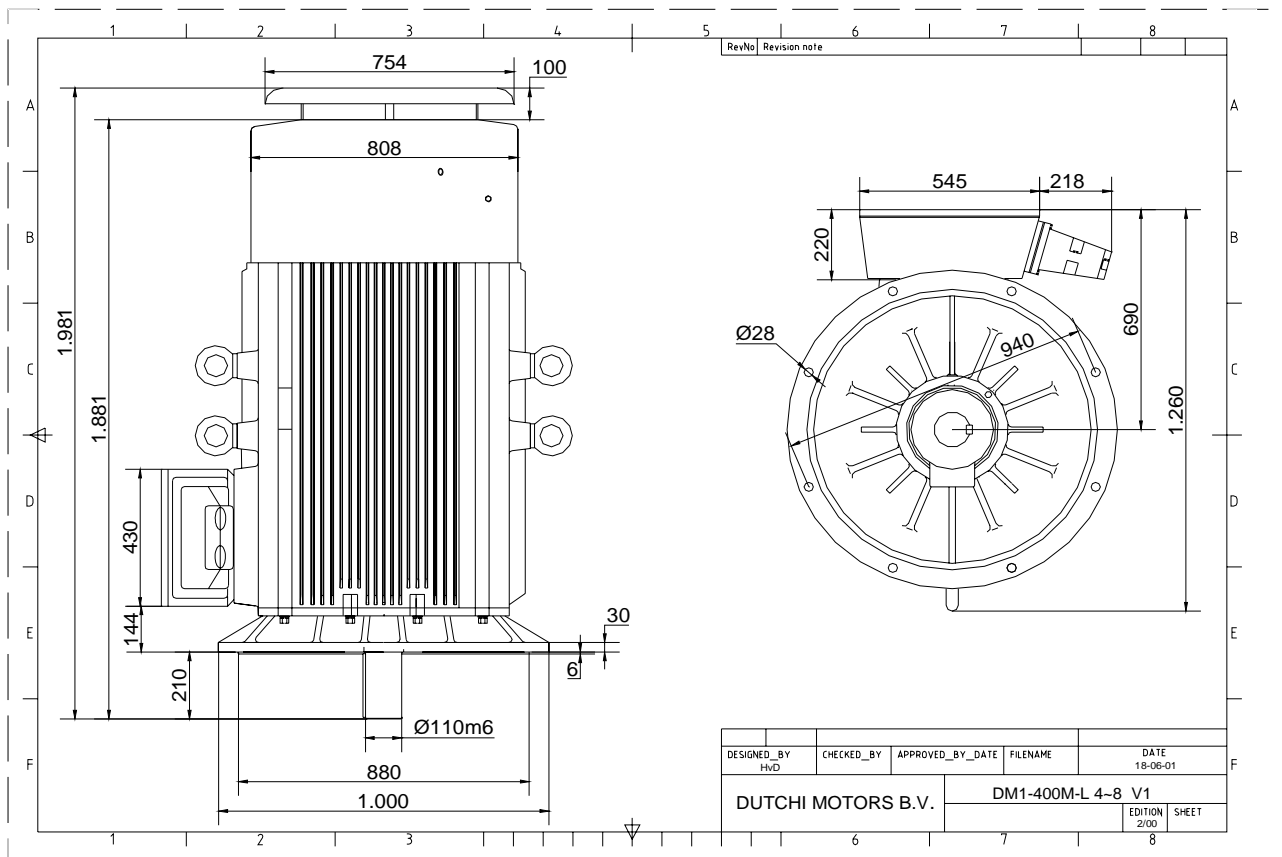
Feature	Cast-iron motor
Weight	3430 kg
Catalog no.	11534G30D
Warranty	12~18 months

Efficiency class	N/A			
Load data	100%	75%	50%	25%
Efficiency	96,2	96,0	95,1	91,7 %
Power factor	0,90	0,89	0,86	0,71
Sound pressure level (1m)				88,3 dB(A)
Resistance R20 (open)				0,00279 Ω
Resistance R20	Δ			0,00186 Ω
Full load torque				4052 Nm
DOL Starting torque vs FL torque				1,32
DOL Pull up torque vs FL torque				1,30
DOL Pull out torque vs FL torque				2,80
Star-Delta Starting torque vs FL torque				0,41
Star-Delta Pull up torque vs FL torque				0,40
Star-Delta Pull out torque vs FL torque				0,87
DOL Starting current vs FL current				5,78
Star Delta Starting current vs FL current				1,80
Rotor Inertia				21,10 kgm ²
Bearing DE				6326 - C3 or NU326
Bearing NDE				6326 - C3 (IM V1 7326B)

Extras / Options :
Terminal box with extra 7 x M63x1,5

WI	Change	date	sign.
Dutchi Motors B.V.		Discription	date
P.O. Box 5390		Drawing made by :	19-04-04
NL-6802 EJ ARNHEM			
Tel : +31-(0)26 - 3541 600		dutchi.motors@dutchi.nl	
Fax : +31-(0)26 - 3541 650		www.dutchi.com	

Power is our commodity, the world is our market !



Specification	IEC 60034-1
Manufacturer	Dutchi Motors B.V.
Motor type	DM1- 400 LY4
Rated power	630 kW S1 duty
Speed	1485 r.p.m
Voltage	400 / 690 V
Frequency	50 Hz
Connection	Δ / Y
Amps full load	1052 / 608 A
Amps no-load(400V)	234 A
Enclosure	IP 55
Insulation Class	F (temp. rise B (80 K))
Max. coolant temp.	40°C
Max. altitude	1.000 mtr, above sea level
Comment	3 x PTC 150°C
Cable entries	2 x Ø 100 mm + 1 x M20x1,5 (ptc)
Feature	Cast-iron motor
Weight	3430 kg
Catalog no.	11034G30D
Warranty	12~18 months

Efficiency class	N/A			
Load data	100%	75%	50%	25%
Efficiency	96,2	96,0	95,1	91,7 %
Power factor	0,90	0,89	0,86	0,71
Sound pressure level (1m)				88,3 dB(A)
Resistance R20 (open)				0,00279 Ω
Resistance R20	Δ			0,00186 Ω
Full load torque				4052 Nm
DOL Starting torque vs FL torque				1,32
DOL Pull up torque vs FL torque				1,30
DOL Pull out torque vs FL torque				2,80
Star-Delta Starting torque vs FL torque				0,41
Star-Delta Pull up torque vs FL torque				0,40
Star-Delta Pull out torque vs FL torque				0,87
DOL Starting current vs FL current				5,78
Star Delta Starting current vs FL current				1,80
Rotor Inertia				21,10 kgm ²
Bearing DE				6326 - C3 or NU326
Bearing NDE				6326 - C3 (IM V1 7326B)

Extras / Options :
Terminal box with extra 7 x M63x1,5

WI	Change	date	sign.
Dutchi Motors B.V.		Discription	date
P.O. Box 5390		Drawing made by :	19-04-04
NL-6802 EJ ARNHEM			
Tel : +31-(0)26 - 3541 600		dutchi.motors@dutchi.nl	
Fax : +31-(0)26 - 3541 650		www.dutchi.com	