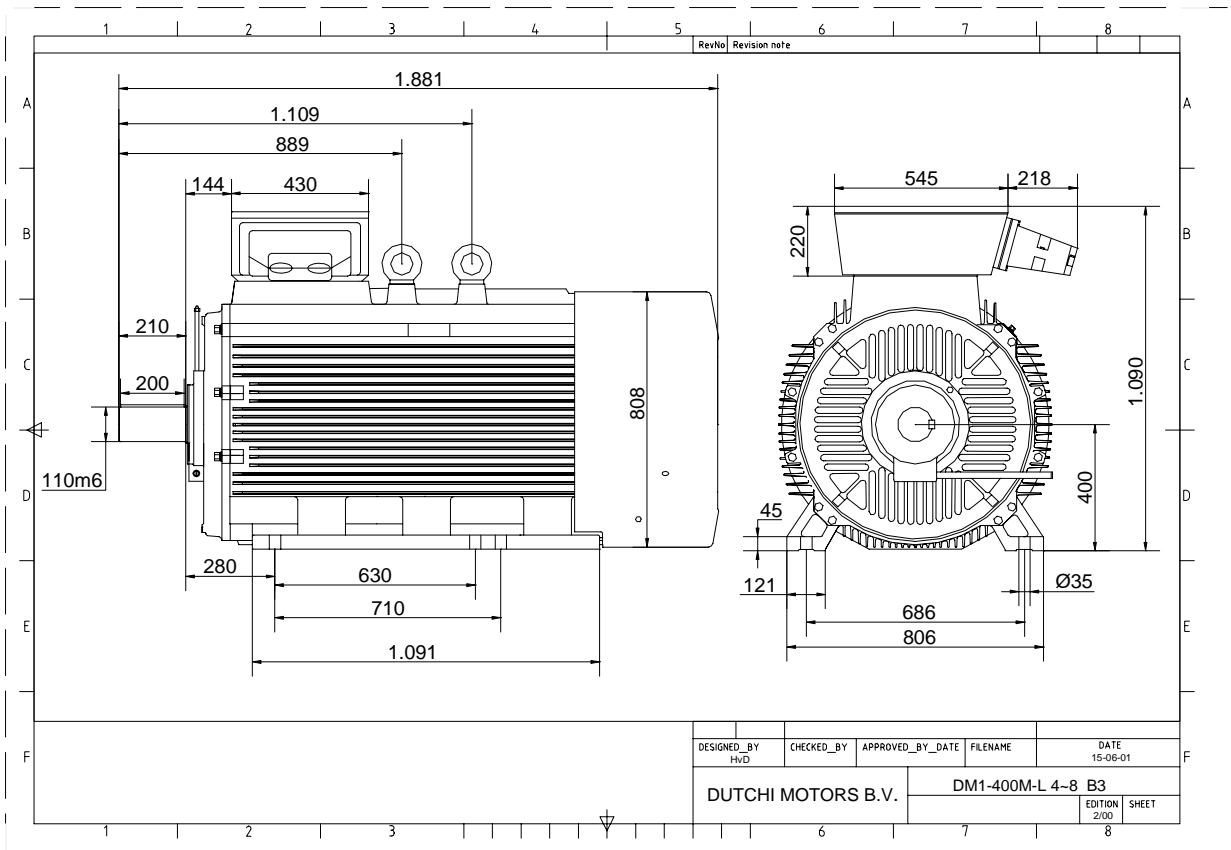


Power is our commodity, the world is our market !



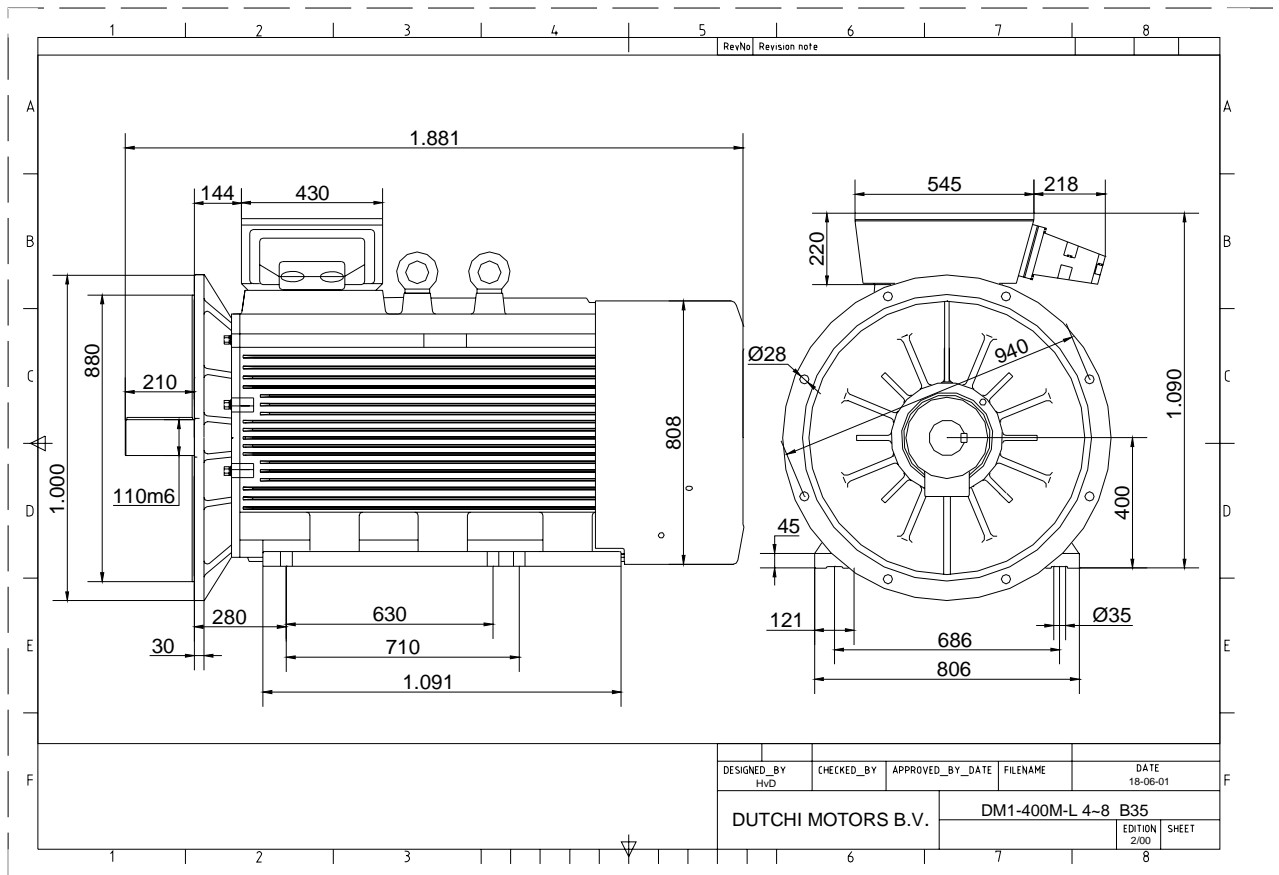
Specification	IEC 60034-1
Manufacturer	Dutchi Motors B.V.
Motor type	DM1- 400 LX4
Rated power	560 kW S1 duty
Speed	1490 r.p.m
Voltage	400 / 690 V
Frequency	50 Hz
Connection	Δ / Y
Amps full load	946 / 546 A
Amps no-load(400V)	277 A
Enclosure	IP 55
Insulation Class	F (temp. rise B (80 K))
Max. coolant temp.	40°C
Max. altitude	1.000 mtr, above sea level
Comment	3 x PTC 150°C
Cable entries	2 x Ø 100 mm + 1 x M20x1,5 (ptc)
Feature	Cast-iron motor
Weight	3360 kg
Catalog no.	11134F60D
Warranty	12~18 months

Efficiency class	N/A				
Load data	100%	75%	50%	25%	
Efficiency	96,0	95,5	94,3	90,1	%
Power factor	0,89	0,86	0,82	0,74	
Sound pressure level (1m)	86,3				dB(A)
Resistance R20 (open)	0,00243				Ω
Resistance R20	0,00162				Ω
Full load torque	3589				Nm
DOL Starting torque vs FL torque	1,74				
DOL Pull up torque vs FL torque	1,48				
DOL Pull out torque vs FL torque	3,92				
Star-Delta Starting torque vs FL torque	0,54				
Star-Delta Pull up torque vs FL torque	0,46				
Star-Delta Pull out torque vs FL torque	1,22				
DOL Starting current vs FL current	7,43				
Star Delta Starting current vs FL current	2,32				
Rotor Inertia	19,50				kgm ²
Bearing DE	6326 - C3 or NU326				
Bearing NDE	6326 - C3 (IM V1 7326B)				

Extras / Options :
Terminal box with extra 7 x M63x1,5

WI	Change	date	sign.
Dutchi Motors B.V. P.O. Box 5390 NL-6802 EJ ARNHEM Tel : +31-(0)26 - 3541 600 Fax : +31-(0)26 - 3541 650		Discription	date
		Drawing made by :	19-04-04
		dutchi.motors@dutchi.nl www.dutchi.com	

Power is our commodity, the world is our market !



DESIGNED_BY HvD	CHECKED_BY	APPROVED_BY_DATE	FILENAME	DATE 18-06-01
DUTCHI MOTORS B.V.			DM1-400M-L 4-8 B35	EDITION 2/00
				SHEET

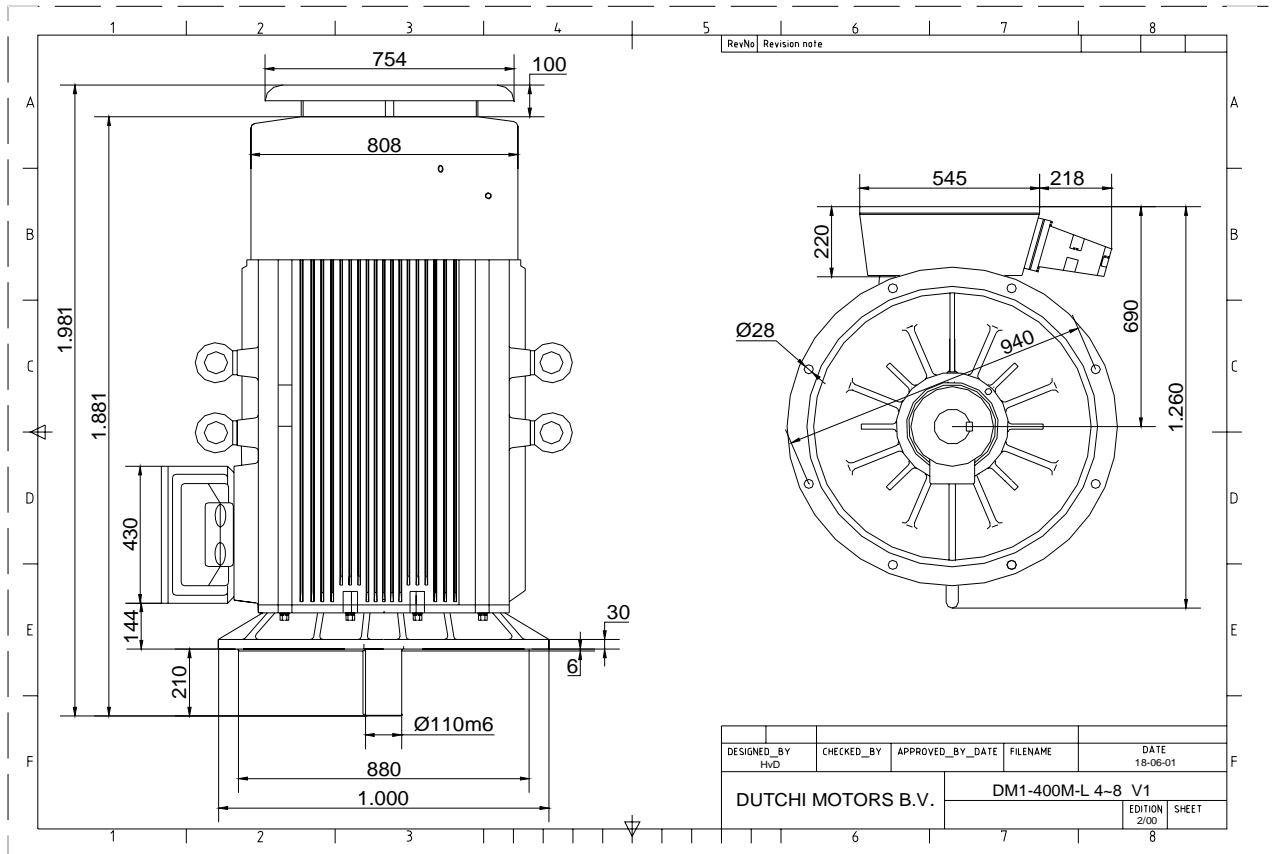
Specification	IEC 60034-1
Manufacturer	Dutchi Motors B.V.
Motor type	DM1- 400 LX4
Rated power	560 kW S1 duty
Speed	1490 r.p.m
Voltage	400 / 690 V
Frequency	50 Hz
Connection	Δ / Y
Amps full load	946 / 546 A
Amps no-load(400V)	277 A
Enclosure	IP 55
Insulation Class	F (temp. rise B (80 K))
Max. coolant temp.	40°C
Max. altitude	1.000 mtr, above sea level
Comment	3 x PTC 150°C
Cable entries	2 x Ø 100 mm + 1 x M20x1,5 (ptc)
Feature	Cast-iron motor
Weight	3360 kg
Catalog no.	11534F60D
Warranty	12~18 months

Efficiency class	N/A			
Load data	100%	75%	50%	25%
Efficiency	96,0	95,5	94,3	90,1 %
Power factor	0,89	0,86	0,82	0,74
Sound pressure level (1m)	86,3 dB(A)			
Resistance R20 (open)	0,00243 Ω			
Resistance R20	Δ 0,00162 Ω			
Full load torque	3589 Nm			
DOL Starting torque vs FL torque	1,74			
DOL Pull up torque vs FL torque	1,48			
DOL Pull out torque vs FL torque	3,92			
Star-Delta Starting torque vs FL torque	0,54			
Star-Delta Pull up torque vs FL torque	0,46			
Star-Delta Pull out torque vs FL torque	1,22			
DOL Starting current vs FL current	7,43			
Star Delta Starting current vs FL current	2,32			
Rotor Inertia	19,50 kgm ²			
Bearing DE	6326 - C3 or NU326			
Bearing NDE	6326 - C3 (IM V1 7326B)			

Extras / Options :
Terminal box with extra 7 x M63x1,5

WI	Change	date	sign.
Dutchi Motors B.V. P.O. Box 5390 NL-6802 EJ ARNHEM Tel : +31-(0)26 - 3541 600 Fax : +31-(0)26 - 3541 650		Discription Drawing made by :	date 19-04-04 sign. HvD
		dutchi.motors@dutchi.nl www.dutchi.com	

Power is our commodity, the world is our market !



Specification	IEC 60034-1
Manufacturer	Dutchi Motors B.V.
Motor type	DM1- 400 LX4
Rated power	560 kW S1 duty
Speed	1490 r.p.m
Voltage	400 / 690 V
Frequency	50 Hz
Connection	Δ / Y
Amps full load	946 / 546 A
Amps no-load(400V)	277 A
Enclosure	IP 55
Insulation Class	F (temp. rise B (80 K))
Max. coolant temp.	40°C
Max. altitude	1.000 mtr, above sea level
Comment	3 x PTC 150°C
Cable entries	2 x Ø 100 mm + 1 x M20x1,5 (ptc)
Feature	Cast-iron motor
Weight	3360 kg
Catalog no.	11034F60D
Warranty	12~18 months

Efficiency class	N/A			
Load data	100%	75%	50%	25%
Efficiency	96,0	95,5	94,3	90,1 %
Power factor	0,89	0,86	0,82	0,74
Sound pressure level (1m)				86,3 dB(A)
Resistance R20 (open)				0,00243 Ω
Resistance R20	Δ			0,00162 Ω
Full load torque				3589 Nm
DOL Starting torque vs FL torque				1,74
DOL Pull up torque vs FL torque				1,48
DOL Pull out torque vs FL torque				3,92
Star-Delta Starting torque vs FL torque				0,54
Star-Delta Pull up torque vs FL torque				0,46
Star-Delta Pull out torque vs FL torque				1,22
DOL Starting current vs FL current				7,43
Star Delta Starting current vs FL current				2,32
Rotor Inertia				19,50 kgm ²
Bearing DE				6326 - C3 or NU326
Bearing NDE				6326 - C3 (IM V1 7326B)

Extras / Options :
Terminal box with extra 7 x M63x1,5

WI	Change	date	sign.
Dutchi Motors B.V.		Discription	date
P.O. Box 5390		Drawing made by :	19-04-04
NL-6802 EJ ARNHEM			
Tel : +31-(0)26 - 3541 600		dutchi.motors@dutchi.nl	
Fax : +31-(0)26 - 3541 650		www.dutchi.com	