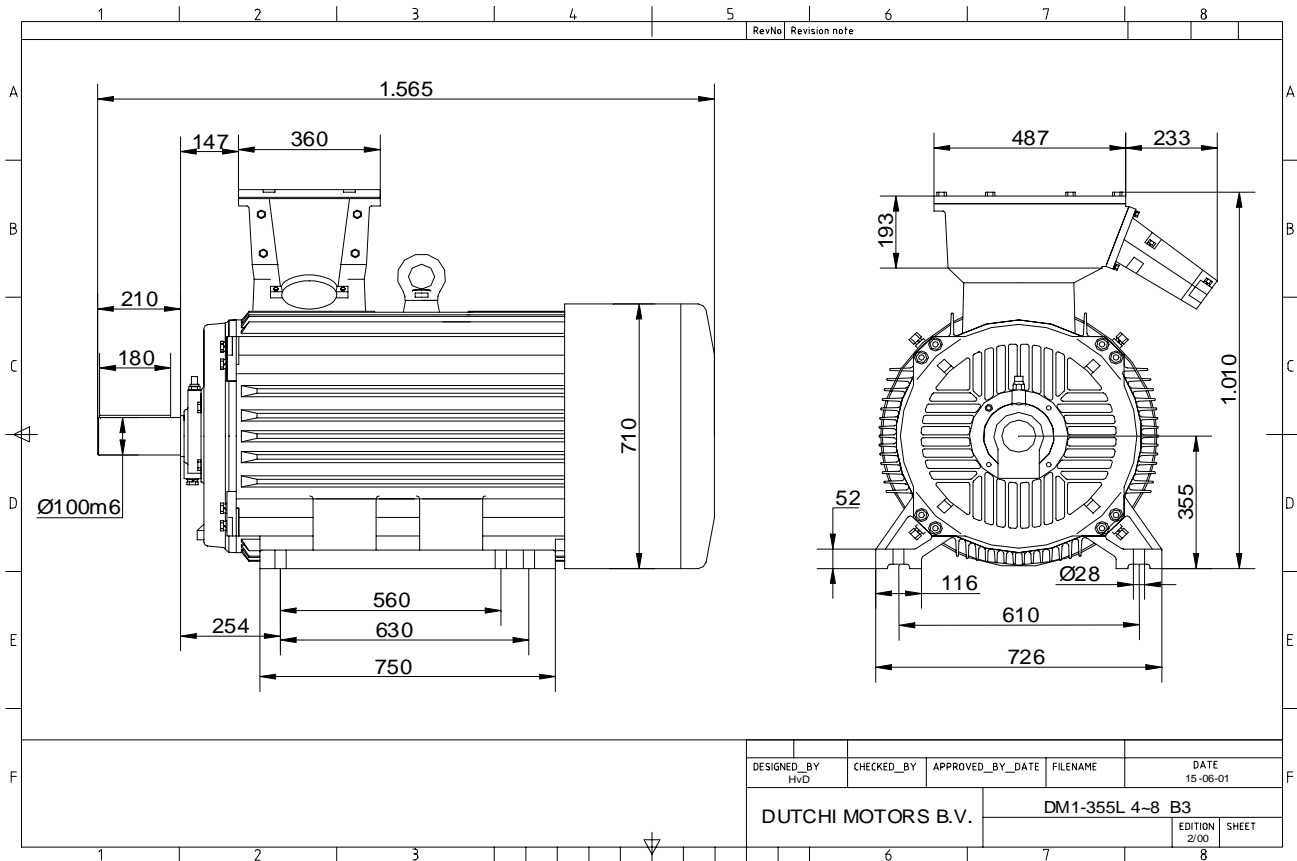


Power is our commodity, the world is our market !

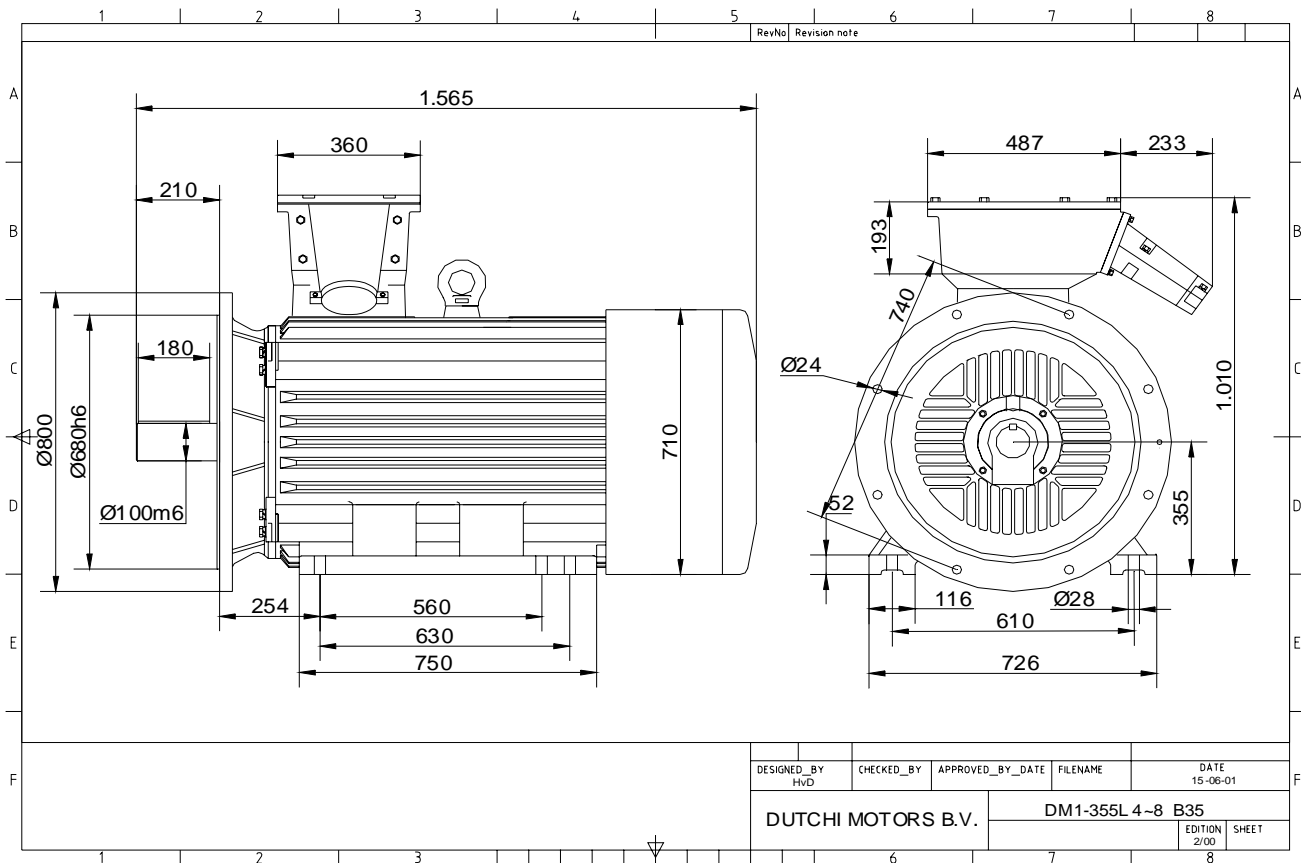


Specification	<b>IEC 60034-1</b>
Manufacturer	<b>Dutchi Motors B.V.</b>
Motor type	<b>DM1- 355 LY4</b>
Rated power	<b>355</b> kW <b>S1</b> duty
Speed	<b>1490</b> r.p.m
Voltage	<b>400</b> / <b>690</b> V
Frequency	<b>50</b> Hz
Connection	<b>Δ</b> / <b>Y</b>
Amps full load	<b>603</b> / <b>348</b> A
Amps no-load(400V)	<b>164</b> A
Enclosure	<b>IP 55</b>
Insulation Class	<b>F (temp. rise B (80 K))</b>
Max. coolant temp.	<b>40°C</b>
Max. altitude	<b>1.000</b> mtr, above sea level
Comment	<b>3 x PTC 150°C</b>
Cable entries	<b>2 x Ø 70 mm + 1 x M20x1,5 (ptc)</b>
Feature	<b>Cast-iron motor</b>
Weight	<b>2000</b> kg
Catalog no.	<b>11134D55D</b>
Warranty	<b>12~18 months</b>

Efficiency class	<b>N/A</b>			
Load data	100%	75%	50%	25%
Efficiency	<b>95,7</b>	<b>95,6</b>	<b>94,8</b>	<b>91,6</b> %
Power factor	<b>0,89</b>	<b>0,86</b>	<b>0,82</b>	<b>0,71</b>
Sound pressure level (1m)				<b>89,7</b> dB(A)
Resistance R20 (open)				<b>0,00636</b> Ω
Resistance R20	<b>Δ</b>			<b>0,00424</b> Ω
Full load torque				<b>2275</b> Nm
DOL Starting torque vs FL torque				<b>2,30</b>
DOL Pull up torque vs FL torque				<b>1,81</b>
DOL Pull out torque vs FL torque				<b>3,40</b>
Star-Delta Starting torque vs FL torque				<b>0,72</b>
Star-Delta Pull up torque vs FL torque				<b>0,57</b>
Star-Delta Pull out torque vs FL torque				<b>1,06</b>
DOL Starting current vs FL current				<b>7,84</b>
Star Delta Starting current vs FL current				<b>2,45</b>
Rotor Inertia				<b>11,20</b> kgm <sup>2</sup>
Bearing DE				<b>6322 - C3 or NU322</b>
Bearing NDE				<b>6320 - C3 (IM V1 7320B)</b>


WI	Change	date	sign.
Dutchi Motors B.V.		Description	date
P.O. Box 5390		Drawing made by :	27-04-04
NL-6802 EJ ARNHEM			
Tel : +31-(0)26 - 3541 600		dutchi.motors@dutchi.nl	
Fax : +31-(0)26 - 3541 650		www.dutchi.com	

Power is our commodity, the world is our market !



Specification **IEC 60034-1**  
 Manufacturer **Dutchi Motors B.V.**  
 Motor type **DM1- 355 LY4**  
 Rated power **355** kW **S1** duty  
 Speed **1490** r.p.m  
 Voltage **400 / 690** V  
 Frequency **50** Hz  
 Connection **Δ / Y**  
 Amps full load **603 / 348** A  
 Amps no-load(400V) **164** A  
 Enclosure **IP 55**  
 Insulation Class **F (temp. rise B (80 K))**

Max. coolant temp. **40°C**  
 Max. altitude **1.000** mtr, above sea level  
 Comment **3 x PTC 150°C**  
 Cable entries **2 x Ø 70 mm + 1 x M20x1,5 (ptc)**

Feature **Cast-iron motor**  
 Weight **2000** kg  
 Catalog no. **11534D55D**  
 Warranty **12~18 months**

Efficiency class **N/A**  
 Load data 100% 75% 50% 25%  
 Efficiency **95,7 95,6 94,8 91,6** %  
 Power factor **0,89 0,86 0,82 0,71**

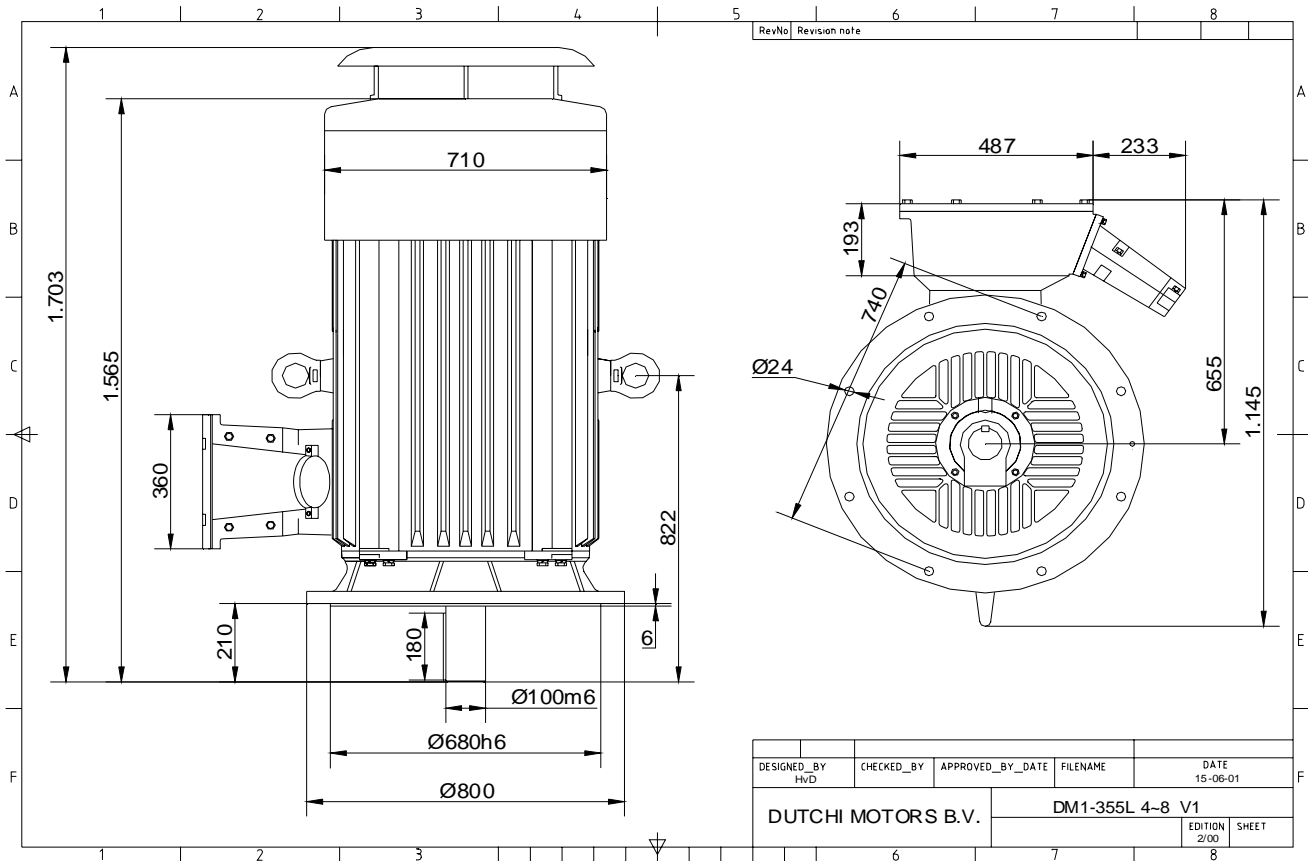
Sound pressure level (1m) **89,7** dB(A)  
 Resistance R20 (open) **0,00636** Ω  
 Resistance R20 **Δ 0,00424** Ω

Full load torque **2275** Nm  
 DOL Starting torque vs FL torque **2,30**  
 DOL Pull up torque vs FL torque **1,81**  
 DOL Pull out torque vs FL torque **3,40**  
 Star-Delta Starting torque vs FL torque **0,72**  
 Star-Delta Pull up torque vs FL torque **0,57**  
 Star-Delta Pull out torque vs FL torque **1,06**  
 DOL Starting current vs FL current **7,84**  
 Star Delta Starting current vs FL current **2,45**  
 Rotor Inertia **11,20** kgm<sup>2</sup>

Bearing DE **6322 - C3 or NU322**  
 Bearing NDE **6320 - C3 (IM V1 7320B)**


WI	Change	date	sign.
Dutchi Motors B.V.		Description	date
P.O. Box 5390		Drawing made by :	27-04-04
NL-6802 EJ ARNHEM			
Tel : +31-(0)26 - 3541 600		dutchi.motors@dutchi.nl	
Fax : +31-(0)26 - 3541 650		www.dutchi.com	

Power is our commodity, the world is our market !



Specification **IEC 60034-1**  
 Manufacturer **Dutchi Motors B.V.**  
 Motor type **DM1- 355 LY4**  
 Rated power **355** kW **S1** duty  
 Speed **1490** r.p.m  
 Voltage **400 / 690** V  
 Frequency **50** Hz  
 Connection **Δ / Y**  
 Amps full load **603 / 348** A  
 Amps no-load(400V) **164** A  
 Enclosure **IP 55**  
 Insulation Class **F (temp. rise B (80 K))**

Max. coolant temp. **40°C**  
 Max. altitude **1.000** mtr, above sea level  
 Comment **3 x PTC 150°C**  
 Cable entries **2 x Ø 70 mm + 1 x M20x1,5 (ptc)**

Feature **Cast-iron motor**  
 Weight **2000** kg  
 Catalog no. **11034D55D**  
 Warranty **12~18 months**

Efficiency class **N/A**  
 Load data 100% 75% 50% 25%  
 Efficiency **95,7 95,6 94,8 91,6** %  
 Power factor **0,89 0,86 0,82 0,71**

Sound pressure level (1m) **89,7** dB(A)  
 Resistance R20 (open) **0,00636** Ω  
 Resistance R20 **Δ 0,00424** Ω

Full load torque **2275** Nm  
 DOL Starting torque vs FL torque **2,30**  
 DOL Pull up torque vs FL torque **1,81**  
 DOL Pull out torque vs FL torque **3,40**  
 Star-Delta Starting torque vs FL torque **0,72**  
 Star-Delta Pull up torque vs FL torque **0,57**  
 Star-Delta Pull out torque vs FL torque **1,06**  
 DOL Starting current vs FL current **7,84**  
 Star Delta Starting current vs FL current **2,45**  
 Rotor Inertia **11,20** kgm<sup>2</sup>

Bearing DE **6322 - C3 or NU322**  
 Bearing NDE **6320 - C3 (IM V1 7320B)**


WI	Change	date	sign.
Dutchi Motors B.V.		Description	date
P.O. Box 5390		Drawing made by :	27-04-04
NL-6802 EJ ARNHEM			
Tel : +31-(0)26 - 3541 600		dutchi.motors@dutchi.nl	
Fax : +31-(0)26 - 3541 650		www.dutchi.com	