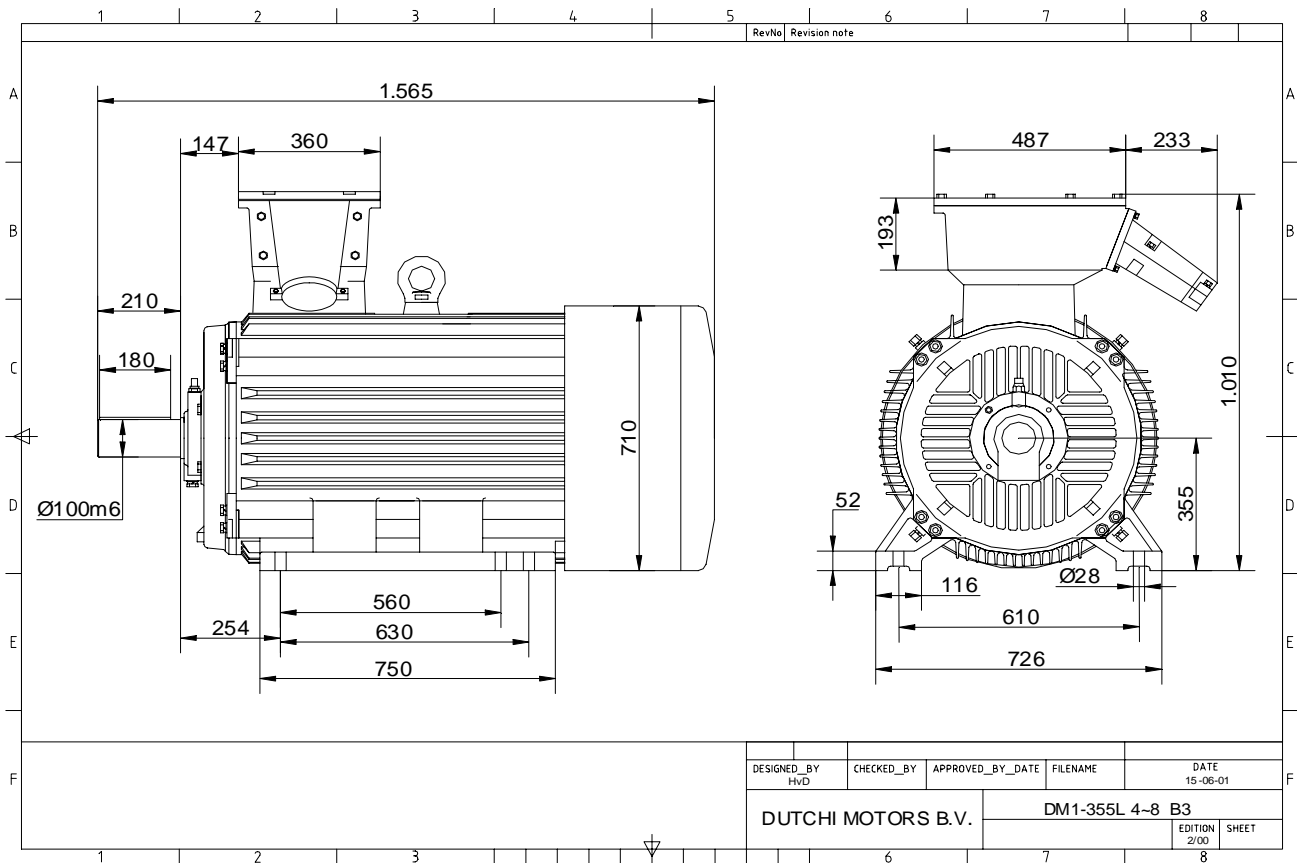


Power is our commodity, the world is our market !



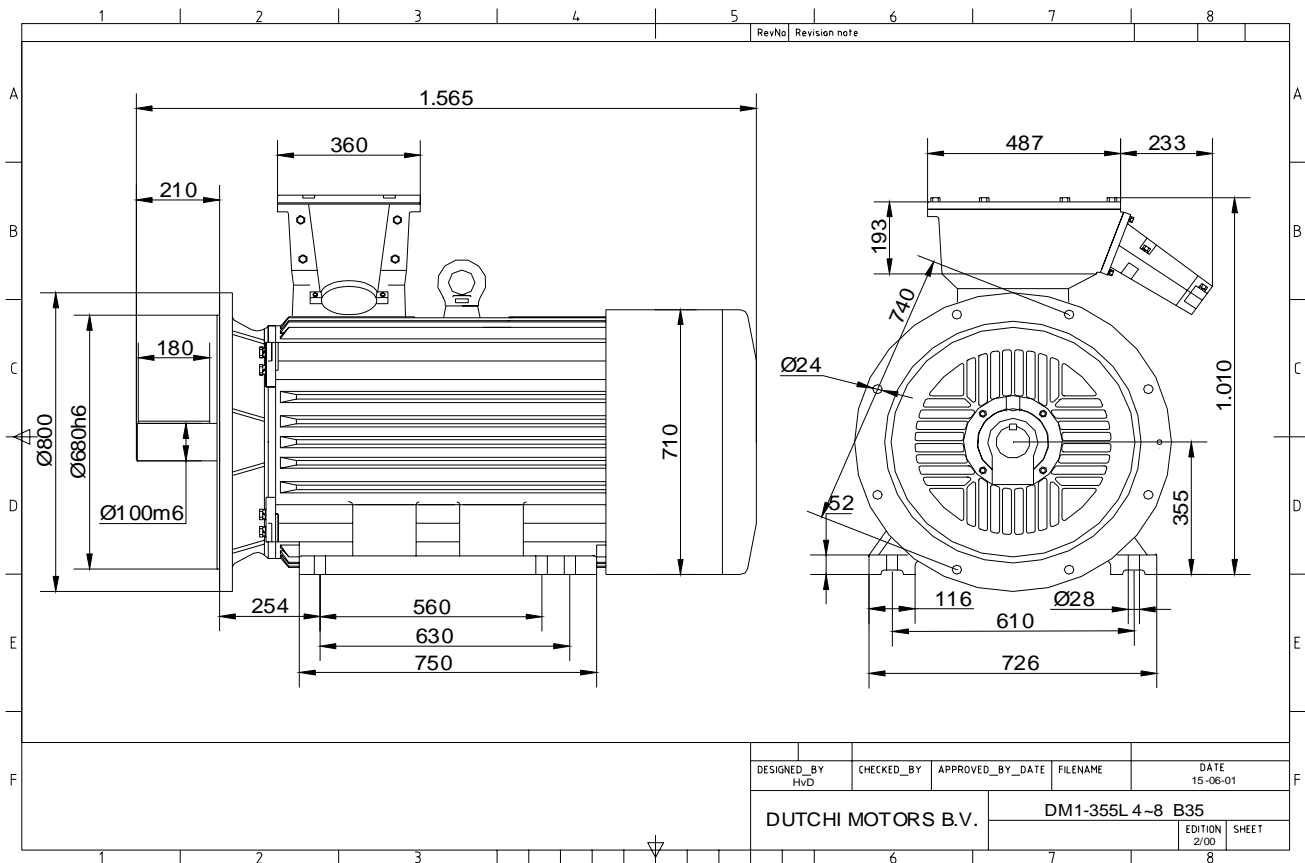
| | |
|--------------------|--|
| Specification | IEC 60034-1 |
| Manufacturer | Dutchi Motors B.V. |
| Motor type | DM1- 355 LX4 |
| Rated power | 315 kW S1 duty |
| Speed | 1490 r.p.m |
| Voltage | 400 / 690 V |
| Frequency | 50 Hz |
| Connection | Δ / Y |
| Amps full load | 529 / 306 A |
| Amps no-load(400V) | 116 A |
| Enclosure | IP 55 |
| Insulation Class | F (temp. rise B (80 K)) |
| Max. coolant temp. | 40°C |
| Max. altitude | 1.000 mtr, above sea level |
| Comment | 3 x PTC 150°C |
| Cable entries | 2 x Ø 70 mm + 1 x M20x1,5 (ptc) |
| Feature | Cast-iron motor |
| Weight | 1950 kg |
| Catalog no. | 11134D15D |
| Warranty | 12~18 months |

| | | | | |
|---|-------------|-------------|-------------|--------------------------------|
| Efficiency class | N/A | | | |
| Load data | 100% | 75% | 50% | 25% |
| Efficiency | 95,7 | 95,6 | 94,8 | 91,1 % |
| Power factor | 0,90 | 0,91 | 0,84 | 0,57 |
| Sound pressure level (1m) | | | | 88,0 dB(A) |
| Resistance R20 (open) | | | | 0,00726 Ω |
| Resistance R20 | Δ | | | 0,00484 Ω |
| Full load torque | | | | 2019 Nm |
| DOL Starting torque vs FL torque | | | | 2,14 |
| DOL Pull up torque vs FL torque | | | | 1,60 |
| DOL Pull out torque vs FL torque | | | | 3,23 |
| Star-Delta Starting torque vs FL torque | | | | 0,67 |
| Star-Delta Pull up torque vs FL torque | | | | 0,50 |
| Star-Delta Pull out torque vs FL torque | | | | 1,01 |
| DOL Starting current vs FL current | | | | 6,94 |
| Star Delta Starting current vs FL current | | | | 2,17 |
| Rotor Inertia | | | | 8,70 kgm ² |
| Bearing DE | | | | 6322 - C3 or NU322 |
| Bearing NDE | | | | 6320 - C3 (IM V1 7320B) |

| |
|--|
| |
| |
| |
| |
| |
| |
| |
| |

| | | | |
|---|--------|----------------------------------|----------------------|
| WI | Change | date | sign. |
| | | | |
| Dutchi Motors B.V. P.O. Box 5390 NL-6802 EJ ARNHEM Tel : +31-(0)26 - 3541 600 Fax : +31-(0)26 - 3541 650 | | Discription Drawing made by : | date sign. HvD |
| dutchi.motors@dutchi.nl www.dutchi.com | | 27-04-04 | |

Power is our commodity, the world is our market !



Specification **IEC 60034-1**
 Manufacturer **Dutchi Motors B.V.**
 Motor type **DM1- 355 LX4**
 Rated power **315** kW **S1** duty
 Speed **1490** r.p.m
 Voltage **400** / **690** V
 Frequency **50** Hz
 Connection **Δ** / **Y**
 Amps full load **529** / **306** A
 Amps no-load(400V) **116** A
 Enclosure **IP 55**
 Insulation Class **F (temp. rise B (80 K))**

Max. coolant temp. **40°C**
 Max. altitude **1.000** mtr, above sea level
 Comment **3 x PTC 150°C**
 Cable entries **2 x Ø 70 mm + 1 x M20x1,5 (ptc)**

Feature **Cast-iron motor**
 Weight **1950** kg
 Catalog no. **11534D15D**
 Warranty **12~18 months**

Efficiency class **N/A**
 Load data 100% 75% 50% 25%
 Efficiency **95,7 95,6 94,8 91,1** %
 Power factor **0,90 0,91 0,84 0,57**

Sound pressure level (1m) **88,0** dB(A)
 Resistance R20 (open) **0,00726** Ω
 Resistance R20 **Δ 0,00484** Ω

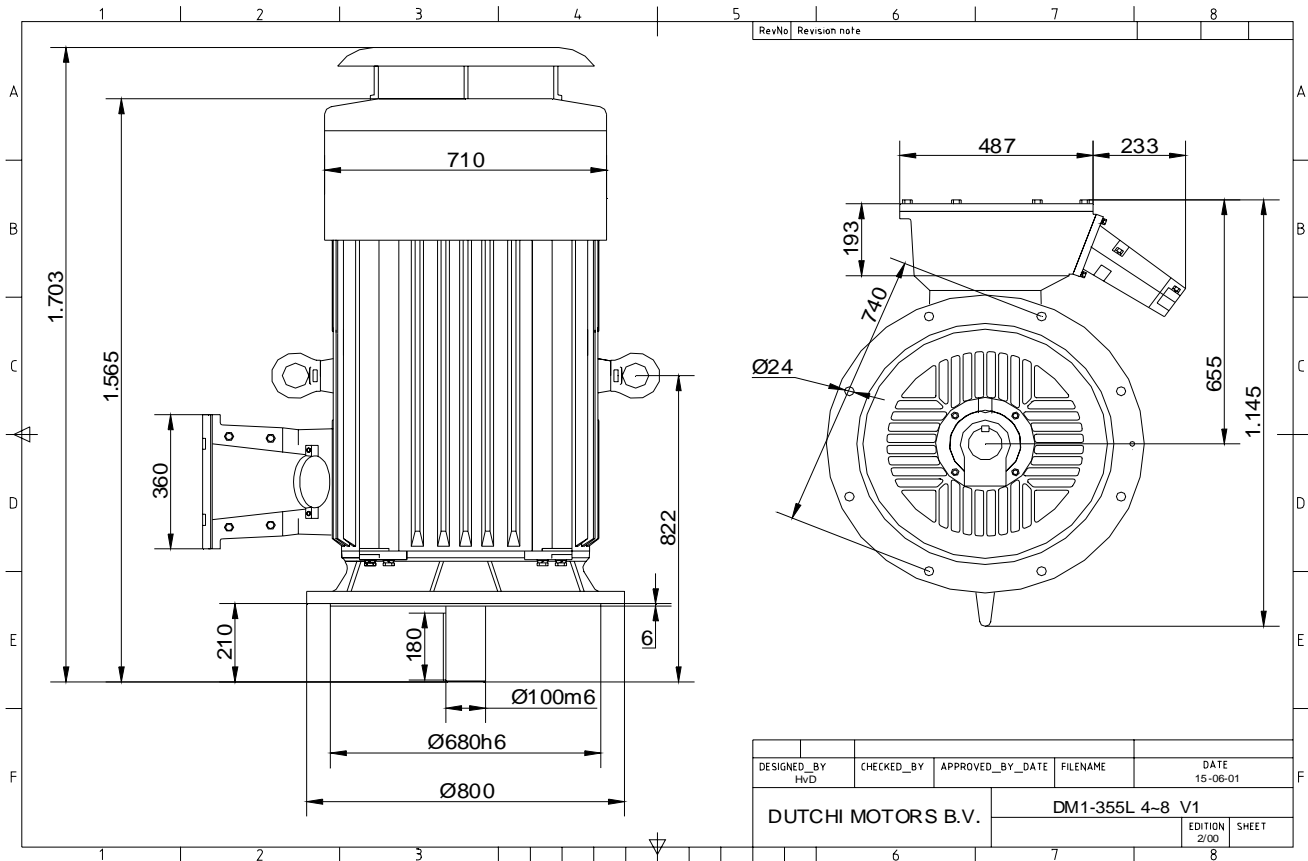
Full load torque **2019** Nm
 DOL Starting torque vs FL torque **2,14**
 DOL Pull up torque vs FL torque **1,60**
 DOL Pull out torque vs FL torque **3,23**
 Star-Delta Starting torque vs FL torque **0,67**
 Star-Delta Pull up torque vs FL torque **0,50**
 Star-Delta Pull out torque vs FL torque **1,01**
 DOL Starting current vs FL current **6,94**
 Star Delta Starting current vs FL current **2,17**
 Rotor Inertia **8,70** kgm²

Bearing DE **6322 - C3 or NU322**
 Bearing NDE **6320 - C3 (IM V1 7320B)**

| |
|--|
| |
| |
| |
| |
| |
| |
| |
| |

| | | | |
|----------------------------|--------|-------------------------|----------|
| WI | Change | date | sign. |
| | | | |
| Dutchi Motors B.V. | | Discription | date |
| P.O. Box 5390 | | Drawing made by : | 27-04-04 |
| NL-6802 EJ ARNHEM | | | |
| Tel : +31-(0)26 - 3541 600 | | dutchi.motors@dutchi.nl | |
| Fax : +31-(0)26 - 3541 650 | | www.dutchi.com | |

Power is our commodity, the world is our market !



| | |
|--------------------|--|
| Specification | IEC 60034-1 |
| Manufacturer | Dutchi Motors B.V. |
| Motor type | DM1- 355 LX4 |
| Rated power | 315 kW S1 duty |
| Speed | 1490 r.p.m |
| Voltage | 400 / 690 V |
| Frequency | 50 Hz |
| Connection | Δ / Y |
| Amps full load | 529 / 306 A |
| Amps no-load(400V) | 116 A |
| Enclosure | IP 55 |
| Insulation Class | F (temp. rise B (80 K)) |
| Max. coolant temp. | 40°C |
| Max. altitude | 1.000 mtr, above sea level |
| Comment | 3 x PTC 150°C |
| Cable entries | 2 x Ø 70 mm + 1 x M20x1,5 (ptc) |
| Feature | Cast-iron motor |
| Weight | 1950 kg |
| Catalog no. | 11034D15D |
| Warranty | 12~18 months |

| | | | | |
|---|-------------|-------------|-------------|--------------------------------|
| Efficiency class | N/A | | | |
| Load data | 100% | 75% | 50% | 25% |
| Efficiency | 95,7 | 95,6 | 94,8 | 91,1 % |
| Power factor | 0,90 | 0,91 | 0,84 | 0,57 |
| Sound pressure level (1m) | | | | 88,0 dB(A) |
| Resistance R20 (open) | | | | 0,00726 Ω |
| Resistance R20 | Δ | | | 0,00484 Ω |
| Full load torque | | | | 2019 Nm |
| DOL Starting torque vs FL torque | | | | 2,14 |
| DOL Pull up torque vs FL torque | | | | 1,60 |
| DOL Pull out torque vs FL torque | | | | 3,23 |
| Star-Delta Starting torque vs FL torque | | | | 0,67 |
| Star-Delta Pull up torque vs FL torque | | | | 0,50 |
| Star-Delta Pull out torque vs FL torque | | | | 1,01 |
| DOL Starting current vs FL current | | | | 6,94 |
| Star Delta Starting current vs FL current | | | | 2,17 |
| Rotor Inertia | | | | 8,70 kgm ² |
| Bearing DE | | | | 6322 - C3 or NU322 |
| Bearing NDE | | | | 6320 - C3 (IM V1 7320B) |

| |
|--|
| |
| |
| |
| |
| |
| |
| |
| |

| | | | |
|---|--------|---|------------------|
| WI | Change | date | sign. |
| | | | |
| Dutchi Motors B.V. P.O. Box 5390 NL-6802 EJ ARNHEM Tel : +31-(0)26 - 3541 600 Fax : +31-(0)26 - 3541 650 | | Discription Drawing made by : | date 27-04-04 |
| | | sign. HvD | |
| | | dutchi.motors@dutchi.nl www.dutchi.com | |