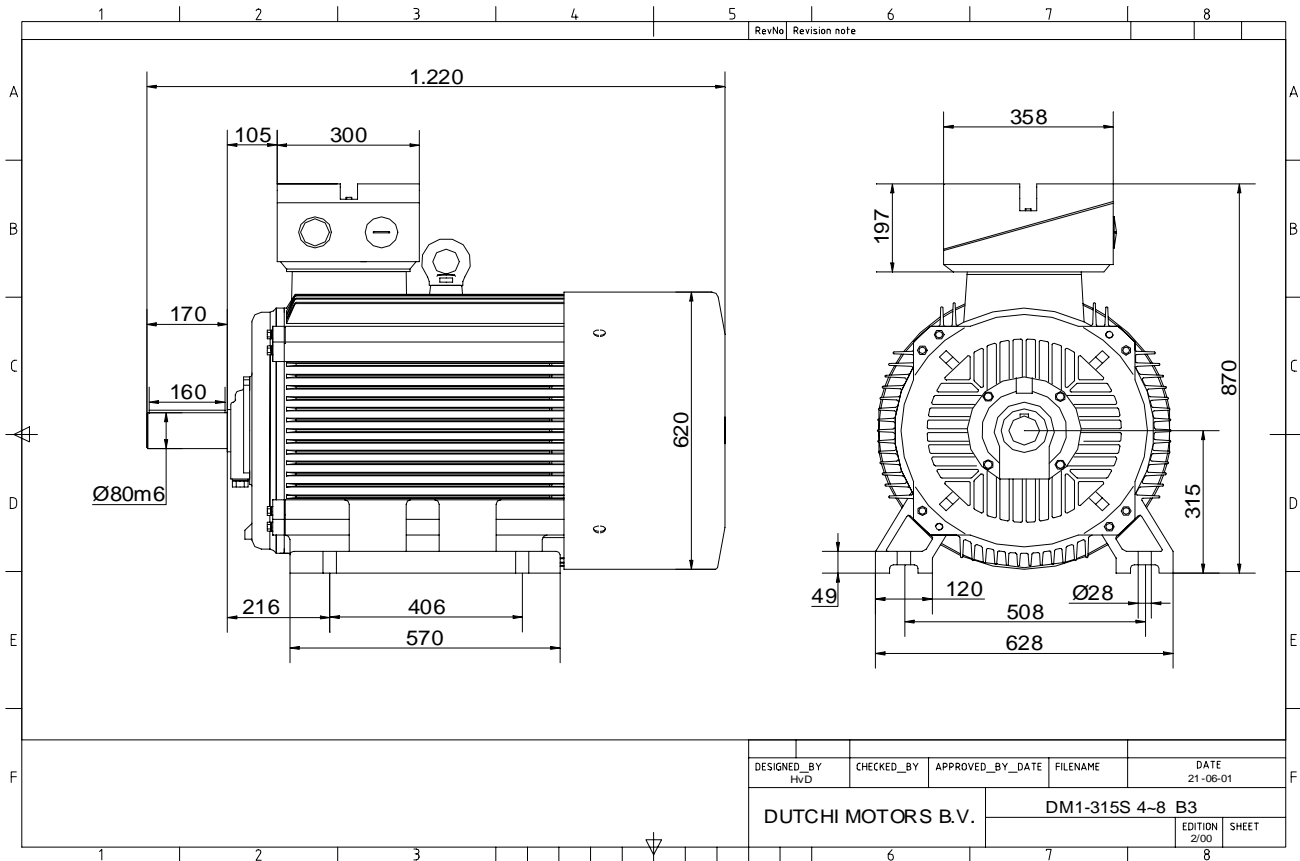


Power is our commodity, the world is our market !

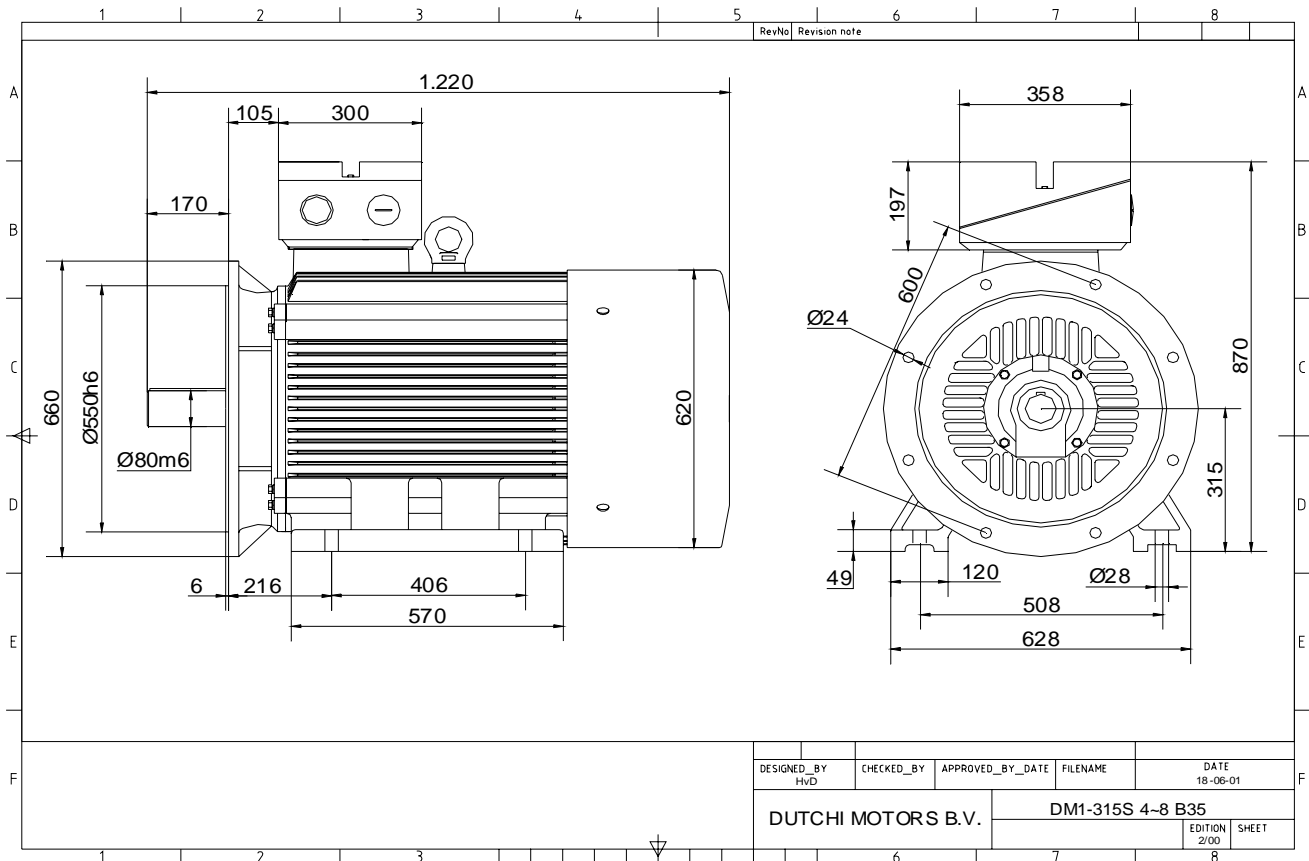


Specification	IEC 60034-1
Manufacturer	Dutchi Motors B.V.
Motor type	DM1- 315 S4
Rated power	110 kW S1 duty
Speed	1485 r.p.m
Voltage	400 / 690 V
Frequency	50 Hz
Connection	Δ / Y
Amps full load	193 / 112 A
Amps no-load(400V)	59,20 A
Enclosure	IP 55
Insulation Class	F (temp. rise B (80 K))
Max. coolant temp.	40°C
Max. altitude	1.000 mtr, above sea level
Comment	3 x PTC 150°C
Cable entries	2 x M63x1,5 + 1 x M20x1,5 (ptc)
Feature	Cast-iron motor
Weight	921 kg
Catalog no.	11134B10D
Warranty	12~18 months

Efficiency class	N/A
Load data	100% 75% 50% 25%
Efficiency	94,5 94,3 93,0 88,2 %
Power factor	0,87 0,86 0,79 0,58
Sound pressure level (1m)	76,6 dB(A)
Resistance R20 (open)	0,0300 Ω
Resistance R20	Δ 0,0200 Ω
Full load torque	707,41 Nm
DOL Starting torque vs FL torque	1,92
DOL Pull up torque vs FL torque	1,49
DOL Pull out torque vs FL torque	2,86
Star-Delta Starting torque vs FL torque	0,60
Star-Delta Pull up torque vs FL torque	0,47
Star-Delta Pull out torque vs FL torque	0,89
DOL Starting current vs FL current	5,77
Star Delta Starting current vs FL current	1,80
Rotor Inertia	2,980 kgm ²
Bearing DE	6319 - C3 or NU319
Bearing NDE	6319 - C3 (IM V1 7319B)

WI	Change	date	sign.
Dutchi Motors B.V. P.O. Box 5390 NL-6802 EJ ARNHEM Tel : +31-(0)26 - 3541 600 Fax : +31-(0)26 - 3541 650		Discription Drawing made by :	date 27-04-04 sign. HVD
		dutchi.motors@dutchi.nl www.dutchi.com	

Power is our commodity, the world is our market !



Specification **IEC 60034-1**
 Manufacturer **Dutchi Motors B.V.**
 Motor type **DM1- 315 S4**
 Rated power **110** kW **S1** duty
 Speed **1485** r.p.m
 Voltage **400** / **690** V
 Frequency **50** Hz
 Connection **Δ** / **Y**
 Amps full load **193** / **112** A
 Amps no-load(400V) **59,20** A
 Enclosure **IP 55**
 Insulation Class **F (temp. rise B (80 K))**

Max. coolant temp. **40°C**
 Max. altitude **1.000** mtr, above sea level
 Comment **3 x PTC 150°C**
 Cable entries **2 x M63x1,5 + 1 x M20x1,5 (ptc)**

Feature **Cast-iron motor**
 Weight **921** kg
 Catalog no. **11534B10D**
 Warranty **12~18 months**

Efficiency class **N/A**
 Load data 100% 75% 50% 25%
 Efficiency **94,5 94,3 93,0 88,2** %
 Power factor **0,87 0,86 0,79 0,58**

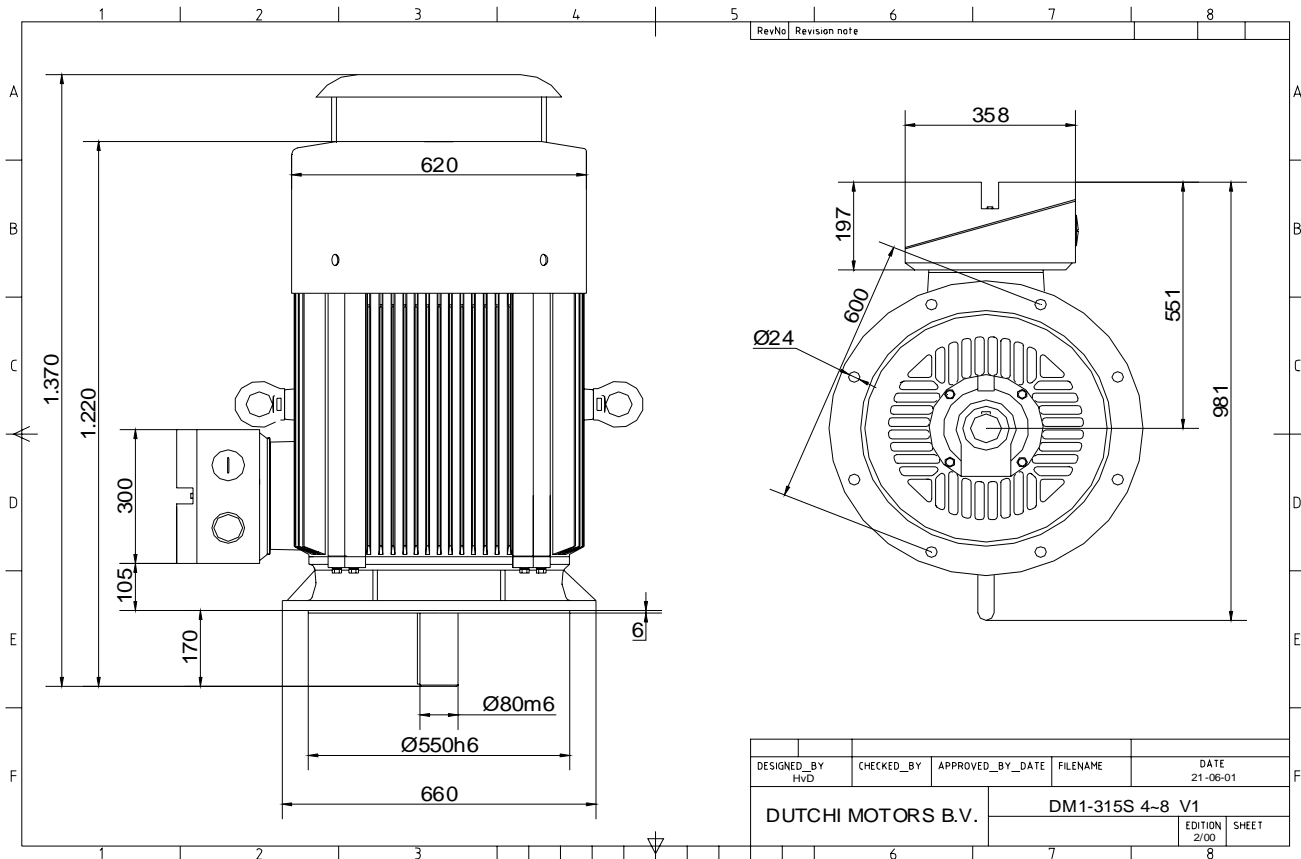
Sound pressure level (1m) **76,6** dB(A)
 Resistance R20 (open) **0,0300** Ω
 Resistance R20 **Δ 0,0200** Ω

Full load torque **707,41** Nm
 DOL Starting torque vs FL torque **1,92**
 DOL Pull up torque vs FL torque **1,49**
 DOL Pull out torque vs FL torque **2,86**
 Star-Delta Starting torque vs FL torque **0,60**
 Star-Delta Pull up torque vs FL torque **0,47**
 Star-Delta Pull out torque vs FL torque **0,89**
 DOL Starting current vs FL current **5,77**
 Star Delta Starting current vs FL current **1,80**
 Rotor Inertia **2,980** kgm²

Bearing DE **6319 - C3 or NU319**
 Bearing NDE **6319 - C3 (IM V1 7319B)**

WI	Change	date	sign.
Dutchi Motors B.V. P.O. Box 5390 NL-6802 EJ ARNHEM Tel : +31-(0)26 - 3541 600 Fax : +31-(0)26 - 3541 650		Description Drawing made by : 27-04-04	date 27-04-04
		sign. HvD	
		dutchi.motors@dutchi.nl www.dutchi.com	

Power is our commodity, the world is our market !



Specification **IEC 60034-1**
 Manufacturer **Dutchi Motors B.V.**
 Motor type **DM1- 315 S4**
 Rated power **110** kW **S1** duty
 Speed **1485** r.p.m
 Voltage **400** / **690** V
 Frequency **50** Hz
 Connection **Δ** / **Y**
 Amps full load **193** / **112** A
 Amps no-load(400V) **59,20** A
 Enclosure **IP 55**
 Insulation Class **F (temp. rise B (80 K))**

Max. coolant temp. **40°C**
 Max. altitude **1.000** mtr, above sea level
 Comment **3 x PTC 150°C**
 Cable entries **2 x M63x1,5 + 1 x M20x1,5 (ptc)**

Feature **Cast-iron motor**
 Weight **921** kg
 Catalog no. **11034B10D**
 Warranty **12~18 months**

Efficiency class **N/A**
 Load data 100% 75% 50% 25%
 Efficiency **94,5 94,3 93,0 88,2** %
 Power factor **0,87 0,86 0,79 0,58**

Sound pressure level (1m) **76,6** dB(A)
 Resistance R20 (open) **0,0300** Ω
 Resistance R20 **Δ 0,0200** Ω

Full load torque **707,41** Nm
 DOL Starting torque vs FL torque **1,92**
 DOL Pull up torque vs FL torque **1,49**
 DOL Pull out torque vs FL torque **2,86**
 Star-Delta Starting torque vs FL torque **0,60**
 Star-Delta Pull up torque vs FL torque **0,47**
 Star-Delta Pull out torque vs FL torque **0,89**
 DOL Starting current vs FL current **5,77**
 Star Delta Starting current vs FL current **1,80**
 Rotor Inertia **2,980** kgm²

Bearing DE **6319 - C3 or NU319**
 Bearing NDE **6319 - C3 (IM V1 7319B)**

WI	Change	date	sign.
Dutchi Motors B.V. P.O. Box 5390 NL-6802 EJ ARNHEM Tel : +31-(0)26 - 3541 600 Fax : +31-(0)26 - 3541 650		Discription Drawing made by : 27-04-04	date sign. HVD
dutchi.motors@dutchi.nl www.dutchi.com			