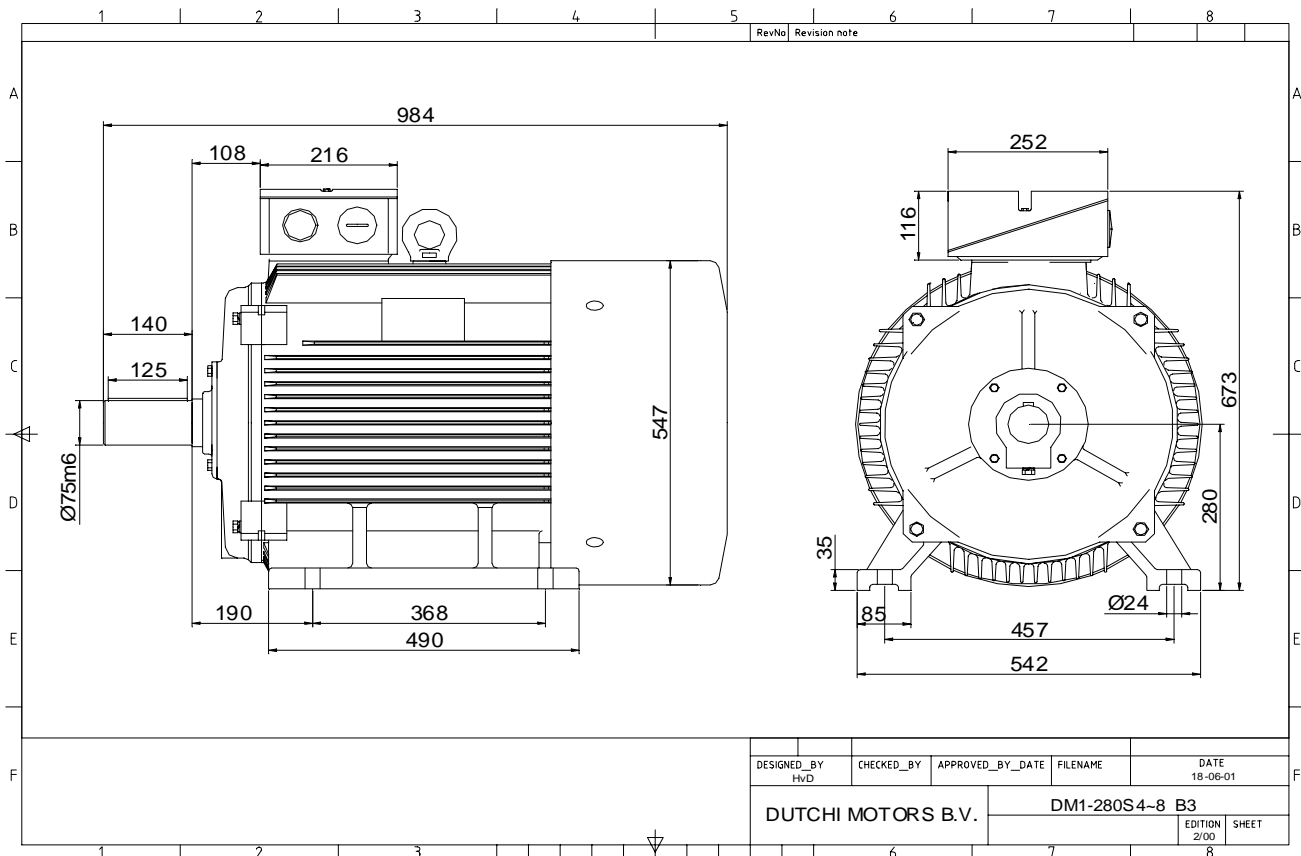


Power is our commodity, the world is our market !



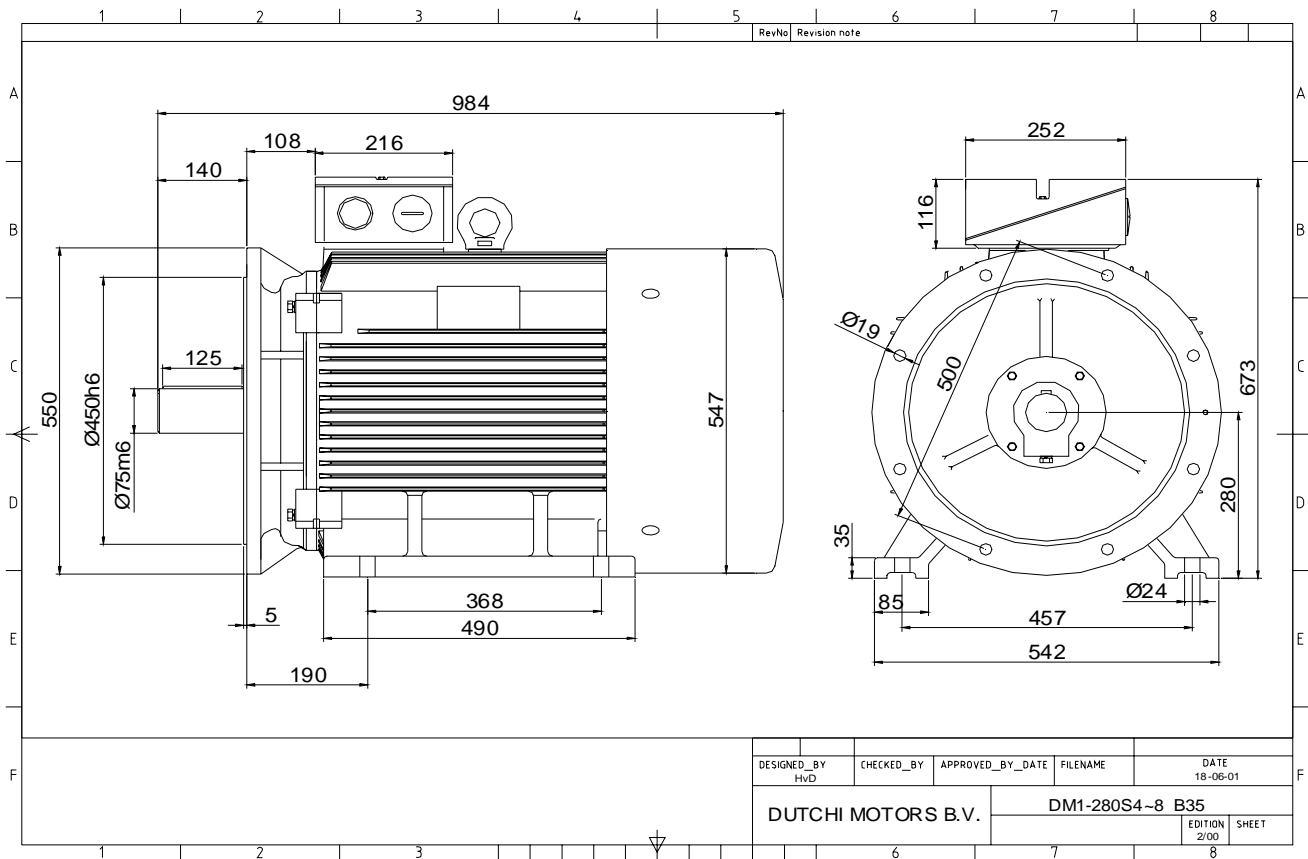
DESIGNED_BY HvD	CHECKED_BY	APPROVED_BY_DATE	FILENAME	DATE 18-06-01
DUTCHI MOTORS B.V.			DM1-280S4-8 B3	EDITION 2/00
				SHEET

Specification	IEC 60034-1
Manufacturer	Dutchi Motors B.V.
Motor type	DM1- 280 S4
Rated power	75,00 kW S1 duty
Speed	1484 r.p.m
Voltage	400 / 690 V
Frequency	50 Hz
Connection	Δ / Y
Amps full load	131,8 / 76,1 A
Amps no-load(400V)	41,01 A
Enclosure	IP 55
Insulation Class	F (temp. rise B (80 K))
Max. coolant temp.	40°C
Max. altitude	1.000 mtr, above sea level
Comment	3 x PTC 150°C
Cable entries	2 x M63x1,5 + 1 x M20x1,5 (ptc)
Feature	Cast-iron motor
Weight	510 kg
Catalog no.	11134A75D
Warranty	12~18 months

Efficiency class	EFF 2			
Load data	100%	75%	50%	25%
Efficiency	94,0	93,9	92,9	88,7 %
Power factor	0,87	0,86	0,80	0,59
Sound pressure level (1m)				71,8 dB(A)
Resistance R20 (open)				0,067 Ω
Resistance R20	Δ			0,045 Ω
Full load torque				483 Nm
DOL Starting torque vs FL torque				2,45
DOL Pull up torque vs FL torque				1,73
DOL Pull out torque vs FL torque				3,36
Star-Delta Starting torque vs FL torque				0,76
Star-Delta Pull up torque vs FL torque				0,54
Star-Delta Pull out torque vs FL torque				1,05
DOL Starting current vs FL current				6,84
Star Delta Starting current vs FL current				2,14
Rotor Inertia				1,0450 kgm ²
Bearing DE				6317 - C3 or NU317
Bearing NDE				6317 - C3

WI	Change	date	sign.
Dutchi Motors B.V.		Description	date
P.O. Box 5390		Drawing made by :	27-04-04
NL-6802 EJ ARNHEM			
Tel : +31-(0)26 - 3541 600		dutchi.motors@dutchi.nl	
Fax : +31-(0)26 - 3541 650		www.dutchi.com	

Power is our commodity, the world is our market !



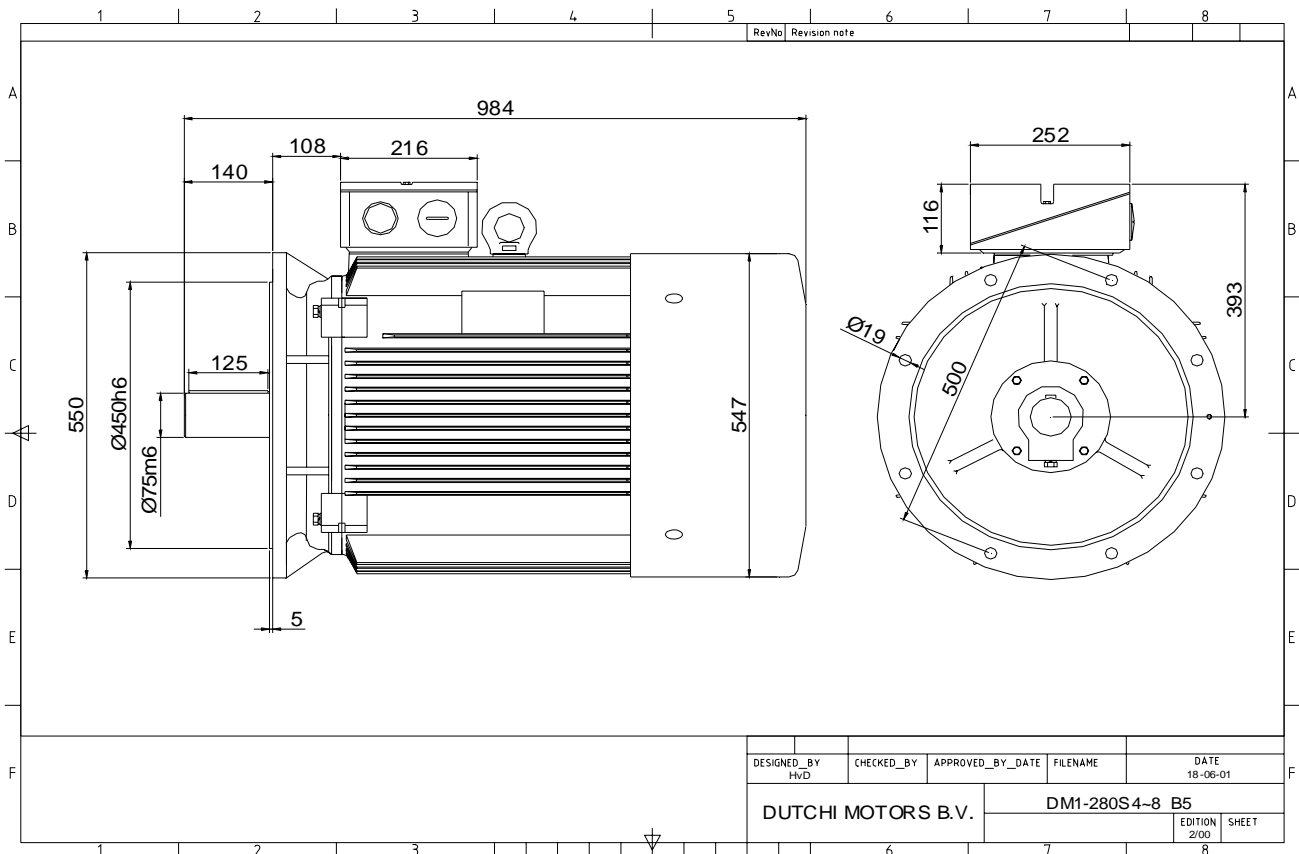
DESIGNED_BY HvD	CHECKED_BY	APPROVED_BY_DATE	FILENAME	DATE 18-06-01
DUTCHI MOTORS B.V.			DM1-280S4-8 B35	EDITION 2/00
				SHEET 8

Specification	IEC 60034-1
Manufacturer	Dutchi Motors B.V.
Motor type	DM1- 280 S4
Rated power	75,00 kW S1 duty
Speed	1484 r.p.m
Voltage	400 / 690 V
Frequency	50 Hz
Connection	Δ / Y
Amps full load	131,8 / 76,1 A
Amps no-load(400V)	41,01 A
Enclosure	IP 55
Insulation Class	F (temp. rise B (80 K))
Max. coolant temp.	40°C
Max. altitude	1.000 mtr, above sea level
Comment	3 x PTC 150°C
Cable entries	2 x M63x1,5 + 1 x M20x1,5 (ptc)
Feature	Cast-iron motor
Weight	510 kg
Catalog no.	11534A75D
Warranty	12~18 months

Efficiency class	EFF 2			
Load data	100%	75%	50%	25%
Efficiency	94,0	93,9	92,9	88,7 %
Power factor	0,87	0,86	0,80	0,59
Sound pressure level (1m)				71,8 dB(A)
Resistance R20 (open)				0,067 Ω
Resistance R20	Δ			0,045 Ω
Full load torque				483 Nm
DOL Starting torque vs FL torque				2,45
DOL Pull up torque vs FL torque				1,73
DOL Pull out torque vs FL torque				3,36
Star-Delta Starting torque vs FL torque				0,76
Star-Delta Pull up torque vs FL torque				0,54
Star-Delta Pull out torque vs FL torque				1,05
DOL Starting current vs FL current				6,84
Star Delta Starting current vs FL current				2,14
Rotor Inertia				1,0450 kgm ²
Bearing DE				6317 - C3 or NU317
Bearing NDE				6317 - C3

WI	Change	date	sign.
Dutchi Motors B.V. P.O. Box 5390 NL-6802 EJ ARNHEM Tel : +31-(0)26 - 3541 600 Fax : +31-(0)26 - 3541 650		Discription Drawing made by :	date sign. HvD
dutchi.motors@dutchi.nl www.dutchi.com		27-04-04	

Power is our commodity, the world is our market !

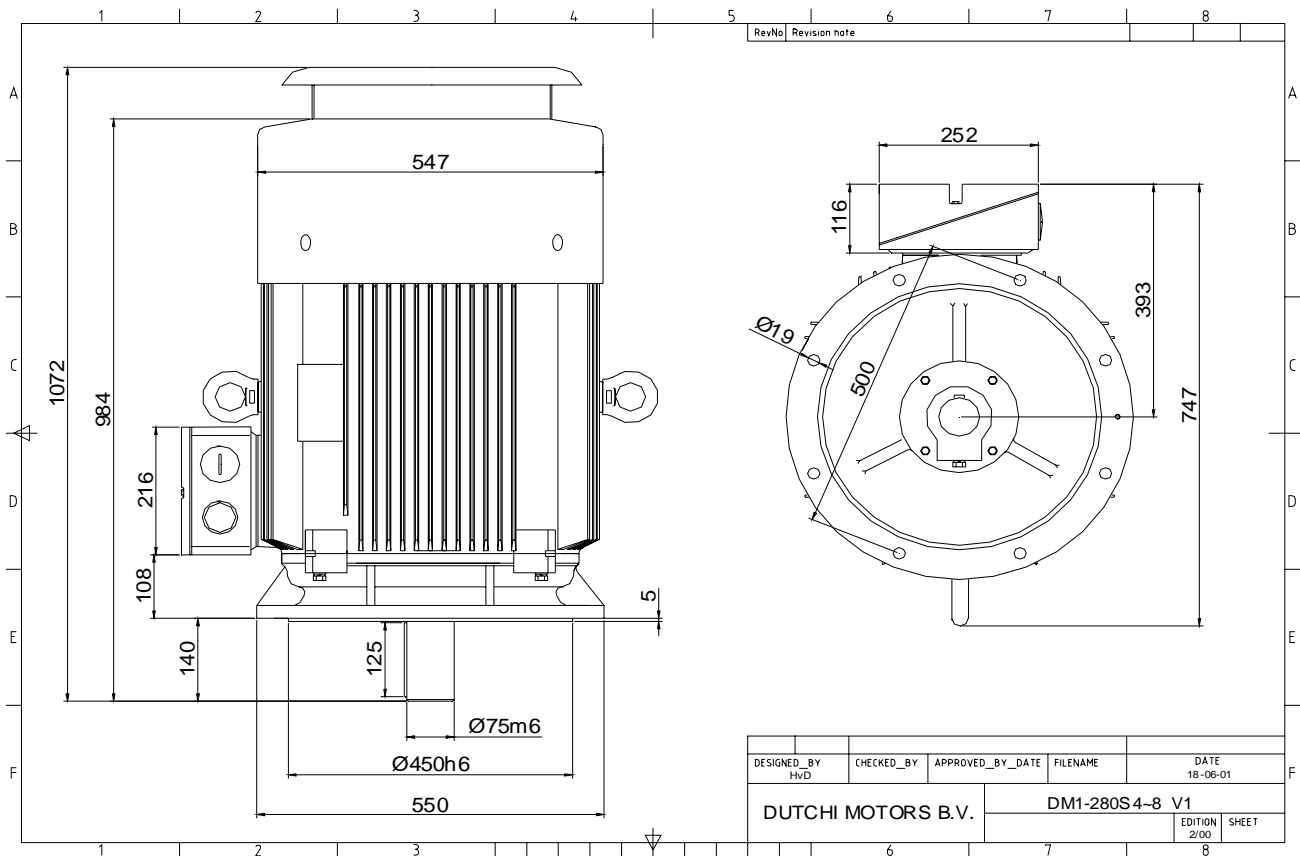


Specification	IEC 60034-1
Manufacturer	Dutchi Motors B.V.
Motor type	DM1- 280 S4
Rated power	75,00 kW S1 duty
Speed	1484 r.p.m
Voltage	400 / 690 V
Frequency	50 Hz
Connection	Δ / Y
Amps full load	131,8 / 76,1 A
Amps no-load(400V)	41,01 A
Enclosure	IP 55
Insulation Class	F (temp. rise B (80 K))
Max. coolant temp.	40°C
Max. altitude	1.000 mtr, above sea level
Comment	3 x PTC 150°C
Cable entries	2 x M63x1,5 + 1 x M20x1,5 (ptc)
Feature	Cast-iron motor
Weight	510 kg
Catalog no.	11234A75D
Warranty	12~18 months

Efficiency class	EFF 2			
Load data	100%	75%	50%	25%
Efficiency	94,0	93,9	92,9	88,7 %
Power factor	0,87	0,86	0,80	0,59
Sound pressure level (1m)				71,8 dB(A)
Resistance R20 (open)				0,067 Ω
Resistance R20	Δ			0,045 Ω
Full load torque				483 Nm
DOL Starting torque vs FL torque				2,45
DOL Pull up torque vs FL torque				1,73
DOL Pull out torque vs FL torque				3,36
Star-Delta Starting torque vs FL torque				0,76
Star-Delta Pull up torque vs FL torque				0,54
Star-Delta Pull out torque vs FL torque				1,05
DOL Starting current vs FL current				6,84
Star Delta Starting current vs FL current				2,14
Rotor Inertia				1,0450 kgm ²
Bearing DE				6317 - C3 or NU317
Bearing NDE				6317 - C3

WI	Change	date	sign.
Dutchi Motors B.V. P.O. Box 5390 NL-6802 EJ ARNHEM Tel : +31-(0)26 - 3541 600 Fax : +31-(0)26 - 3541 650		Discription Drawing made by :	date 27-04-04 sign. HvD
dutchi.motors@dutchi.nl www.dutchi.com			

Power is our commodity, the world is our market !



Specification	IEC 60034-1
Manufacturer	Dutchi Motors B.V.
Motor type	DM1- 280 S4
Rated power	75,00 kW S1 duty
Speed	1484 r.p.m
Voltage	400 / 690 V
Frequency	50 Hz
Connection	Δ / Y
Amps full load	131,8 / 76,1 A
Amps no-load(400V)	41,01 A
Enclosure	IP 55
Insulation Class	F (temp. rise B (80 K))
Max. coolant temp.	40°C
Max. altitude	1.000 mtr, above sea level
Comment	3 x PTC 150°C
Cable entries	2 x M63x1,5 + 1 x M20x1,5 (ptc)
Feature	Cast-iron motor
Weight	510 kg
Catalog no.	11034A75D
Warranty	12~18 months

Efficiency class	EFF 2			
Load data	100%	75%	50%	25%
Efficiency	94,0	93,9	92,9	88,7 %
Power factor	0,87	0,86	0,80	0,59
Sound pressure level (1m)				71,8 dB(A)
Resistance R20 (open)				0,067 Ω
Resistance R20	Δ			0,045 Ω
Full load torque				483 Nm
DOL Starting torque vs FL torque				2,45
DOL Pull up torque vs FL torque				1,73
DOL Pull out torque vs FL torque				3,36
Star-Delta Starting torque vs FL torque				0,76
Star-Delta Pull up torque vs FL torque				0,54
Star-Delta Pull out torque vs FL torque				1,05
DOL Starting current vs FL current				6,84
Star Delta Starting current vs FL current				2,14
Rotor Inertia				1,0450 kgm ²
Bearing DE				6317 - C3 or NU317
Bearing NDE				6317 - C3

WI	Change	date	sign.
Dutchi Motors B.V. P.O. Box 5390 NL-6802 EJ ARNHEM Tel : +31-(0)26 - 3541 600 Fax : +31-(0)26 - 3541 650		Discription Drawing made by : 27-04-04	date sign. HvD
dutchi.motors@dutchi.nl www.dutchi.com			