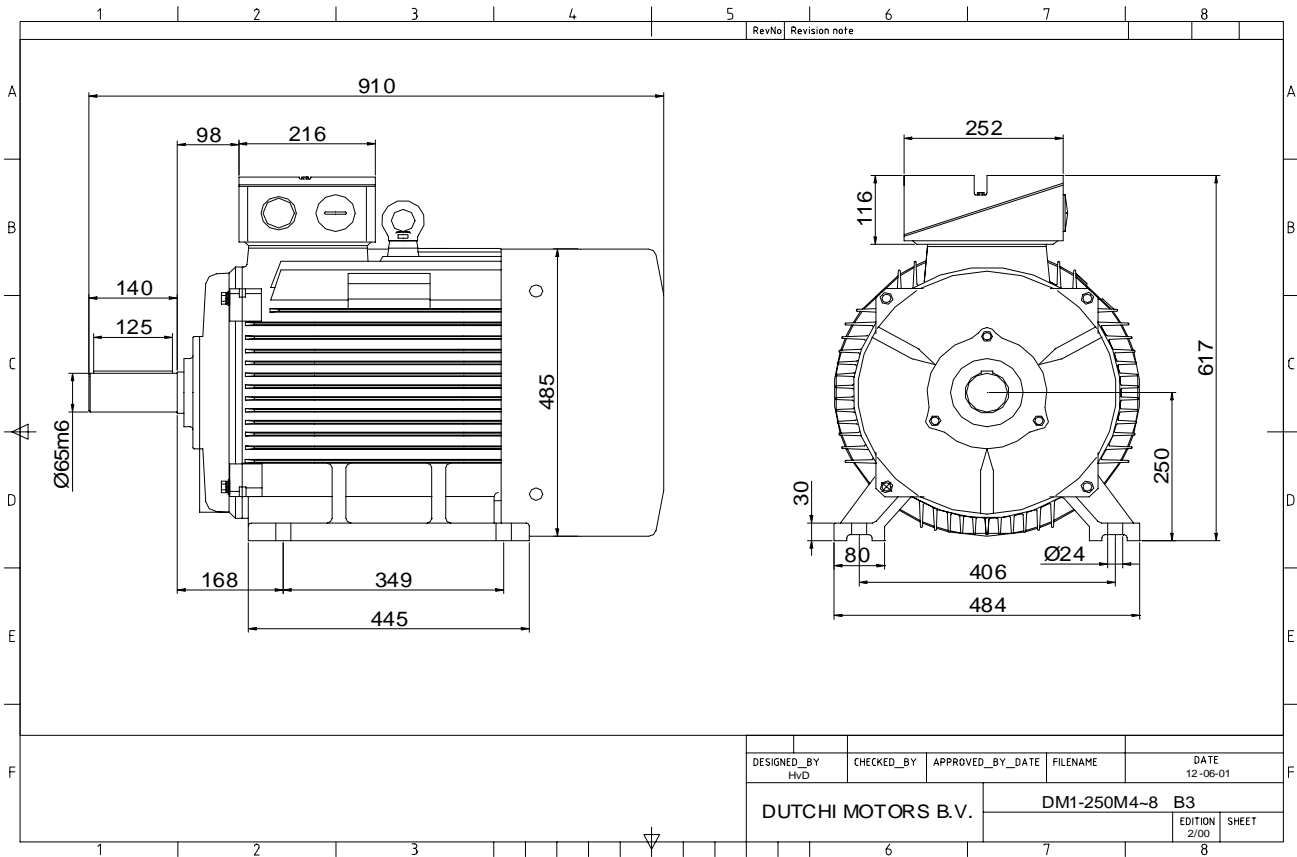


Power is our commodity, the world is our market !



Specification **IEC 60034-1**  
 Manufacturer **Dutchi Motors B.V.**  
 Motor type **DM1- 250 M4**  
 Rated power **55** kW **S1** duty  
 Speed **1480** r.p.m  
 Voltage **400 / 690** V  
 Frequency **50** Hz  
 Connection **Δ / Y**  
 Amps full load **97,0 / 56,0** A  
 Amps no-load(400V) **29,90** A  
 Enclosure **IP 55**  
 Insulation Class **F (temp. rise B (80 K))**

Max. coolant temp. **40°C**  
 Max. altitude **1.000** mtr, above sea level  
 Comment **3 x PTC 150°C**  
 Cable entries **2 x M63x1,5 + 1 x M20x1,5 (ptc)**

Feature **Cast-iron motor**  
 Weight **381** kg  
 Catalog no. **11134A55D**  
 Warranty **12~18 months**

Efficiency class **EFF 2**  
 Load data 100% 75% 50% 25%  
 Efficiency **93,0 92,9 91,9 87,3** %  
 Power factor **0,88 0,86 0,79 0,62**

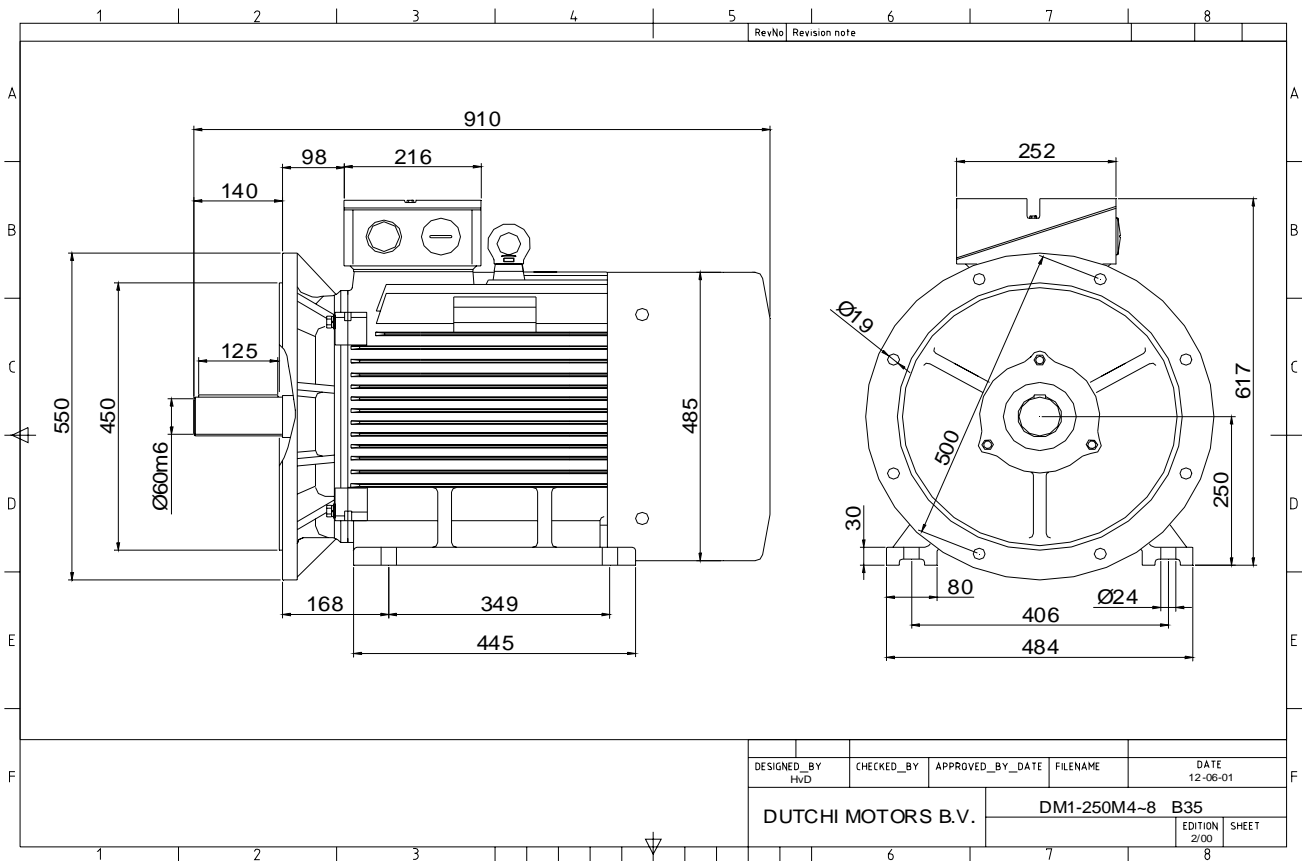
Sound pressure level (1m) **71,8** dB(A)  
 Resistance R20 (open) **0,110** Ω  
 Resistance R20 **Δ 0,073** Ω

Full load torque **354,90** Nm  
 DOL Starting torque vs FL torque **2,44**  
 DOL Pull up torque vs FL torque **1,73**  
 DOL Pull out torque vs FL torque **3,24**  
 Star-Delta Starting torque vs FL torque **0,76**  
 Star-Delta Pull up torque vs FL torque **0,54**  
 Star-Delta Pull out torque vs FL torque **1,01**  
 DOL Starting current vs FL current **7,26**  
 Star Delta Starting current vs FL current **2,27**  
 Rotor Inertia **0,6400** kgm<sup>2</sup>

Bearing DE **6314 - ZZ C3**  
 Bearing NDE **6314 - ZZ C3**


WI	Change	date	sign.
<b>Dutchi Motors B.V.</b> P.O. Box 5390 NL-6802 EJ ARNHEM Tel : +31-(0)26 - 3541 600 Fax : +31-(0)26 - 3541 650		Description	date
		Drawing made by :	27-04-04
		<b>dutchi.motors@dutchi.nl</b> <b>www.dutchi.com</b>	

Power is our commodity, the world is our market !



Specification **IEC 60034-1**  
 Manufacturer **Dutchi Motors B.V.**  
 Motor type **DM1- 250 M4**  
 Rated power **55** kW **S1** duty  
 Speed **1480** r.p.m  
 Voltage **400** / **690** V  
 Frequency **50** Hz  
 Connection **Δ** / **Y**  
 Amps full load **97,0** / **56,0** A  
 Amps no-load(400V) **29,90** A  
 Enclosure **IP 55**  
 Insulation Class **F (temp. rise B (80 K))**

Max. coolant temp. **40°C**  
 Max. altitude **1.000** mtr, above sea level  
 Comment **3 x PTC 150°C**  
 Cable entries **2 x M63x1,5 + 1 x M20x1,5 (ptc)**

Feature **Cast-iron motor**  
 Weight **381** kg  
 Catalog no. **11534A55D**  
 Warranty **12~18 months**

Efficiency class **EFF 2**  
 Load data 100% 75% 50% 25%  
 Efficiency **93,0 92,9 91,9 87,3** %  
 Power factor **0,88 0,86 0,79 0,62**

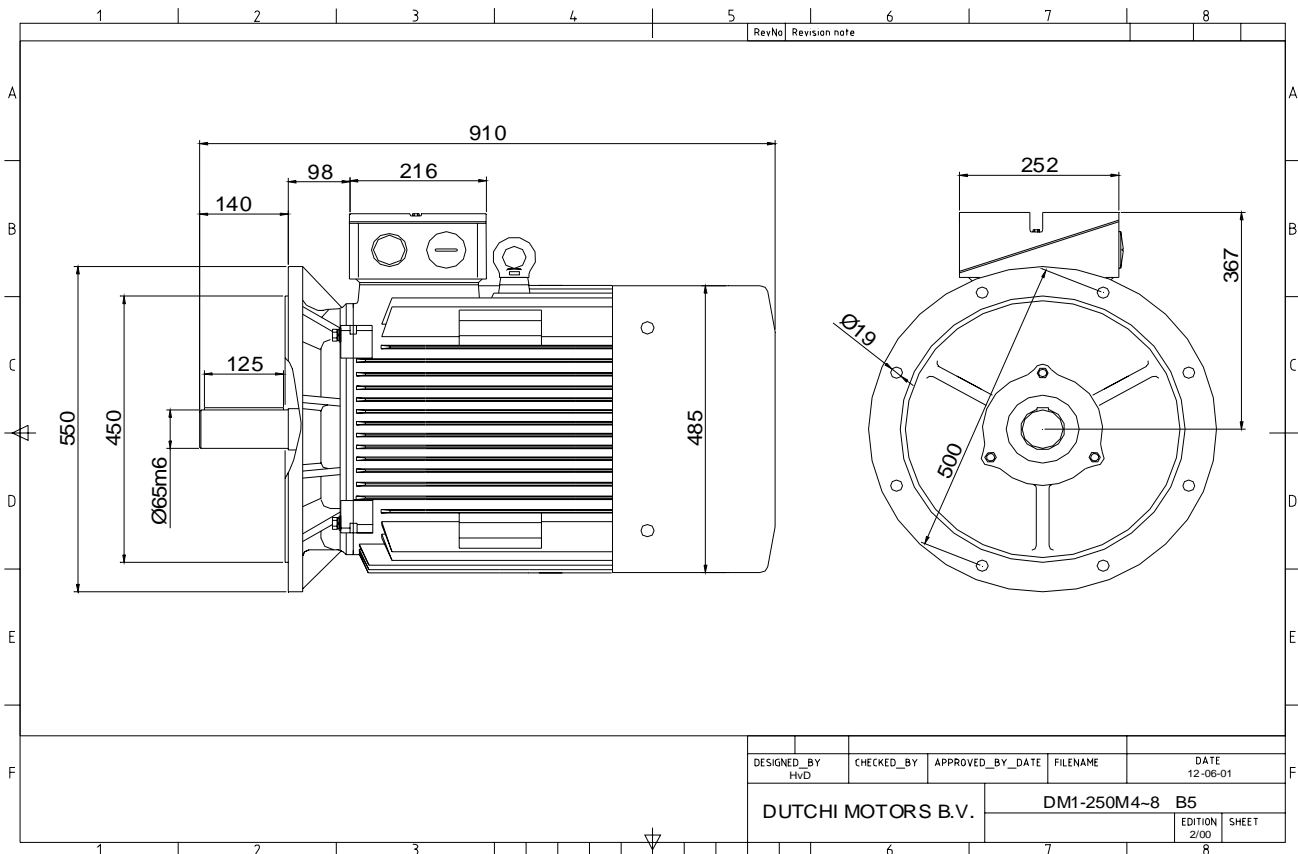
Sound pressure level (1m) **71,8** dB(A)  
 Resistance R20 (open) **0,110** Ω  
 Resistance R20 **Δ 0,073** Ω

Full load torque **354,90** Nm  
 DOL Starting torque vs FL torque **2,44**  
 DOL Pull up torque vs FL torque **1,73**  
 DOL Pull out torque vs FL torque **3,24**  
 Star-Delta Starting torque vs FL torque **0,76**  
 Star-Delta Pull up torque vs FL torque **0,54**  
 Star-Delta Pull out torque vs FL torque **1,01**  
 DOL Starting current vs FL current **7,26**  
 Star Delta Starting current vs FL current **2,27**  
 Rotor Inertia **0,6400** kgm<sup>2</sup>

Bearing DE **6314 - ZZ C3**  
 Bearing NDE **6314 - ZZ C3**


WI	Change	date	sign.
<b>Dutchi Motors B.V.</b> P.O. Box 5390 NL-6802 EJ ARNHEM Tel : +31-(0)26 - 3541 600 Fax : +31-(0)26 - 3541 650		Discription Drawing made by : 27-04-04	date sign. HvD
		<b>dutchi.motors@dutchi.nl</b> <b>www.dutchi.com</b>	

Power is our commodity, the world is our market !



Specification **IEC 60034-1**  
 Manufacturer **Dutchi Motors B.V.**  
 Motor type **DM1- 250 M4**  
 Rated power **55** kW **S1** duty  
 Speed **1480** r.p.m  
 Voltage **400 / 690** V  
 Frequency **50** Hz  
 Connection **Δ / Y**  
 Amps full load **97,0 / 56,0** A  
 Amps no-load(400V) **29,90** A  
 Enclosure **IP 55**  
 Insulation Class **F (temp. rise B (80 K))**

Max. coolant temp. **40°C**  
 Max. altitude **1.000** mtr, above sea level  
 Comment **3 x PTC 150°C**  
 Cable entries **2 x M63x1,5 + 1 x M20x1,5 (ptc)**

Feature **Cast-iron motor**  
 Weight **381** kg  
 Catalog no. **11234A55D**  
 Warranty **12~18 months**

Efficiency class **EFF 2**  
 Load data 100% 75% 50% 25%  
 Efficiency **93,0 92,9 91,9 87,3** %  
 Power factor **0,88 0,86 0,79 0,62**

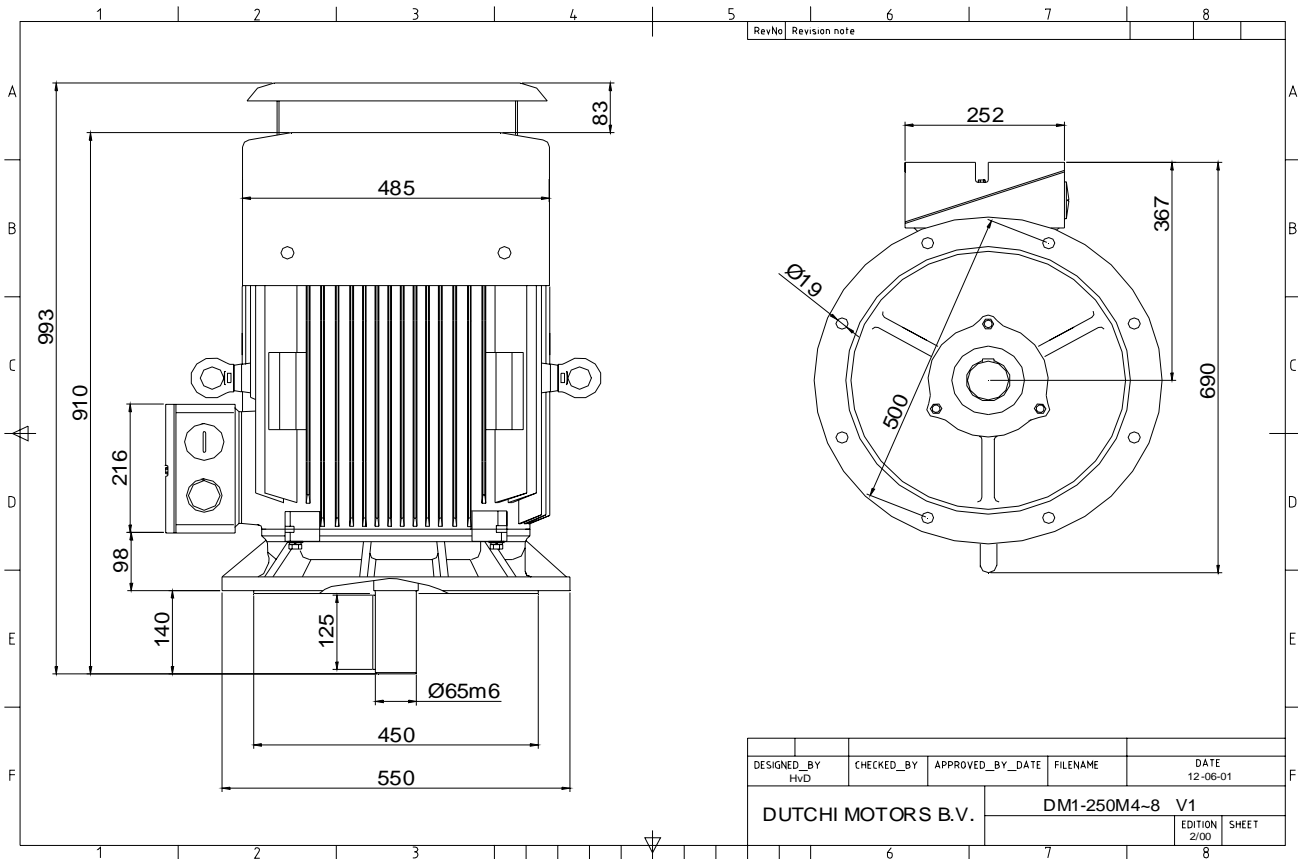
Sound pressure level (1m) **71,8** dB(A)  
 Resistance R20 (open) **0,110** Ω  
 Resistance R20 **Δ 0,073** Ω

Full load torque **354,90** Nm  
 DOL Starting torque vs FL torque **2,44**  
 DOL Pull up torque vs FL torque **1,73**  
 DOL Pull out torque vs FL torque **3,24**  
 Star-Delta Starting torque vs FL torque **0,76**  
 Star-Delta Pull up torque vs FL torque **0,54**  
 Star-Delta Pull out torque vs FL torque **1,01**  
 DOL Starting current vs FL current **7,26**  
 Star Delta Starting current vs FL current **2,27**  
 Rotor Inertia **0,6400** kgm<sup>2</sup>

Bearing DE **6314 - ZZ C3**  
 Bearing NDE **6314 - ZZ C3**


WI	Change	date	sign.
Dutchi Motors B.V.		Description	date
P.O. Box 5390		Drawing made by :	27-04-04
NL-6802 EJ ARNHEM			
Tel : +31-(0)26 - 3541 600		<b>dutchi.motors@dutchi.nl</b>	
Fax : +31-(0)26 - 3541 650		<b>www.dutchi.com</b>	

Power is our commodity, the world is our market !



Specification **IEC 60034-1**  
 Manufacturer **Dutchi Motors B.V.**  
 Motor type **DM1- 250 M4**  
 Rated power **55** kW **S1** duty  
 Speed **1480** r.p.m  
 Voltage **400** / **690** V  
 Frequency **50** Hz  
 Connection **Δ** / **Y**  
 Amps full load **97,0** / **56,0** A  
 Amps no-load(400V) **29,90** A  
 Enclosure **IP 55**  
 Insulation Class **F (temp. rise B (80 K))**

Max. coolant temp. **40°C**  
 Max. altitude **1.000** mtr, above sea level  
 Comment **3 x PTC 150°C**  
 Cable entries **2 x M63x1,5 + 1 x M20x1,5 (ptc)**

Feature **Cast-iron motor**  
 Weight **381** kg  
 Catalog no. **11034A55D**  
 Warranty **12~18 months**

Efficiency class **EFF 2**  
 Load data 100% 75% 50% 25%  
 Efficiency **93,0 92,9 91,9 87,3** %  
 Power factor **0,88 0,86 0,79 0,62**

Sound pressure level (1m) **71,8** dB(A)  
 Resistance R20 (open) **0,110** Ω  
 Resistance R20 **Δ 0,073** Ω

Full load torque **354,90** Nm  
 DOL Starting torque vs FL torque **2,44**  
 DOL Pull up torque vs FL torque **1,73**  
 DOL Pull out torque vs FL torque **3,24**  
 Star-Delta Starting torque vs FL torque **0,76**  
 Star-Delta Pull up torque vs FL torque **0,54**  
 Star-Delta Pull out torque vs FL torque **1,01**  
 DOL Starting current vs FL current **7,26**  
 Star Delta Starting current vs FL current **2,27**  
 Rotor Inertia **0,6400** kgm<sup>2</sup>

Bearing DE **6314 - ZZ C3**  
 Bearing NDE **6314 - ZZ C3**


WI	Change	date	sign.
<b>Dutchi Motors B.V.</b> P.O. Box 5390 NL-6802 EJ ARNHEM Tel : +31-(0)26 - 3541 600 Fax : +31-(0)26 - 3541 650		Discription Drawing made by : 27-04-04	date sign. HVD
dutchi.motors@dutchi.nl www.dutchi.com			