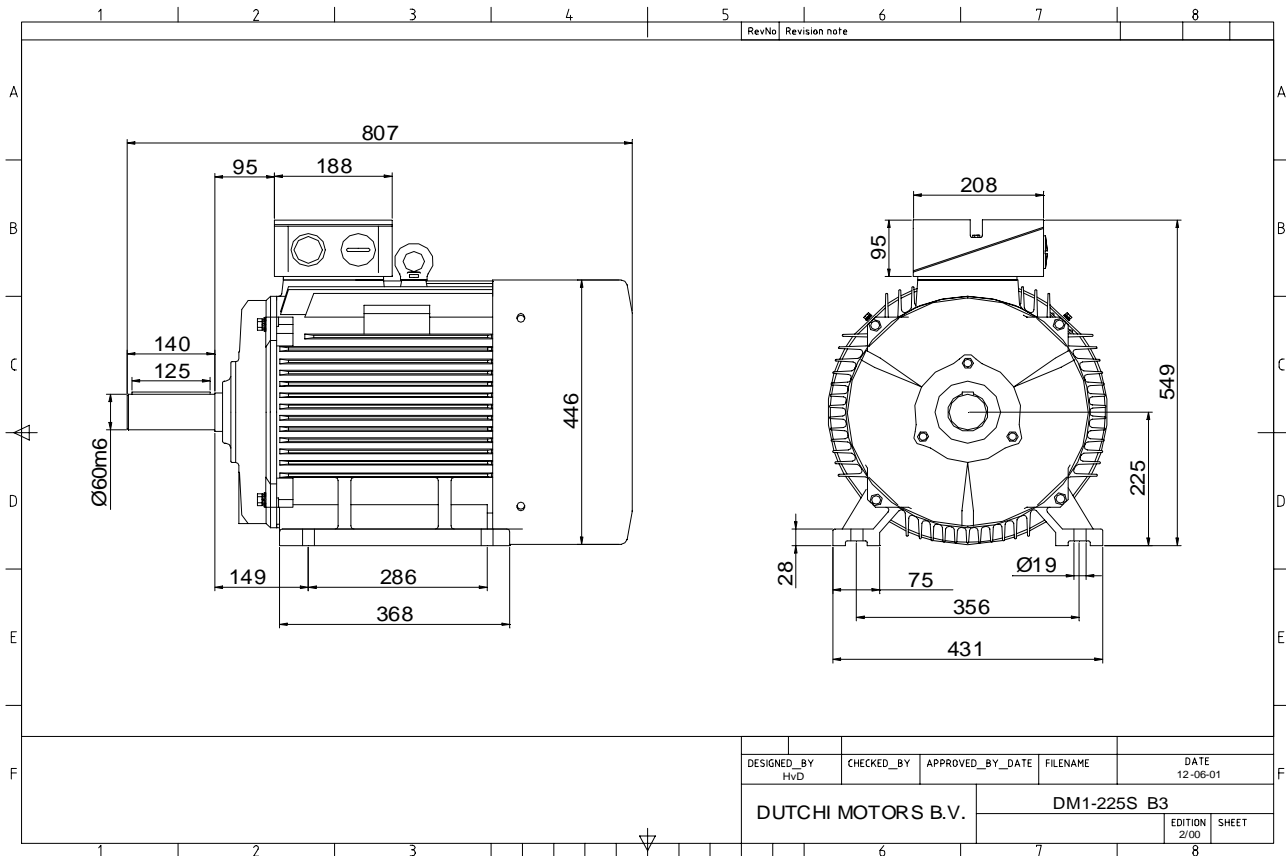


Power is our commodity, the world is our market !



Specification **IEC 60034-1**
 Manufacturer **Dutchi Motors B.V.**
 Motor type **DM1- 225 S4**
 Rated power **37,00 kW S1** duty
 Speed **1475** r.p.m
 Voltage **400 / 690** V
 Frequency **50** Hz
 Connection **Δ / Y**
 Amps full load **67,1 / 38,7** A
 Amps no-load(400V) **23,3** A
 Enclosure **IP 55**
 Insulation Class **F (temp. rise B (80 K))**

Max. coolant temp. **40°C**
 Max. altitude **1.000** mtr, above sea level
 Comment **3 x PTC 150°C**
 Cable entries **2 x M50x1,5 + 1 x M20x1,5 (ptc)**

Feature **Cast-iron motor**
 Weight **287** kg
 Catalog no. **11134A37D**
 Warranty **12~18 months**

Efficiency class **EFF 2**
 Load data 100% 75% 50% 25%
 Efficiency **92,5 92,8 92,2 88,3** %
 Power factor **0,86 0,83 0,75 0,53**

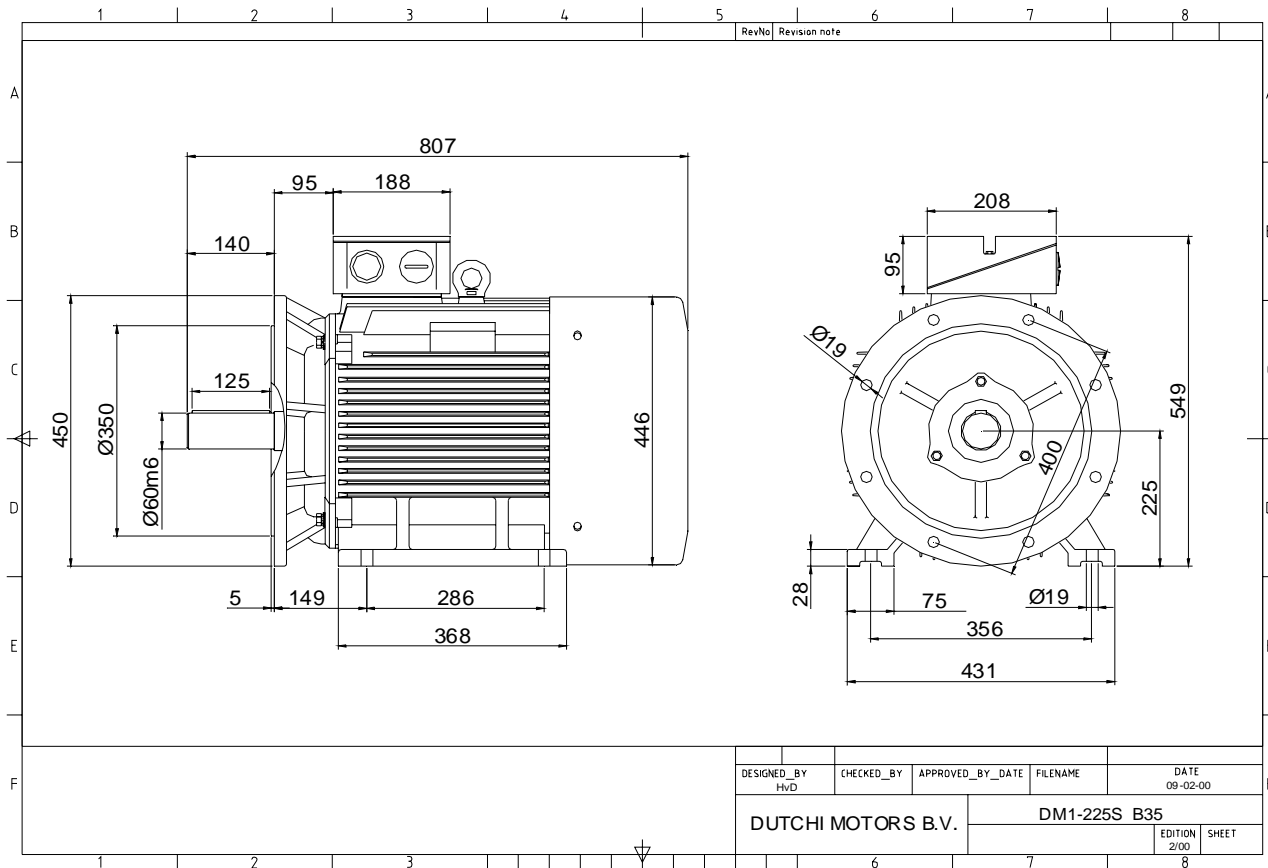
Sound pressure level (1m) **67,1** dB(A)
 Resistance R20 (open) **0,218** Ω
 Resistance R20 **Δ 0,146** Ω

Full load torque **240** Nm
 DOL Starting torque vs FL torque **2,10**
 DOL Pull up torque vs FL torque **1,53**
 DOL Pull out torque vs FL torque **3,01**
 Star-Delta Starting torque vs FL torque **0,66**
 Star-Delta Pull up torque vs FL torque **0,48**
 Star-Delta Pull out torque vs FL torque **0,94**
 DOL Starting current vs FL current **6,43**
 Star Delta Starting current vs FL current **2,01**
 Rotor Inertia **0,3900** kgm²

Bearing DE **6313 - ZZ C3**
 Bearing NDE **6313 - ZZ C3**

WI	Change	date	sign.
Dutchi Motors B.V.		Description	date
P.O. Box 5390		Drawing made by :	27-04-04
NL-6802 EJ ARNHEM			
Tel : +31-(0)26 - 3541 600		dutchi.motors@dutchi.nl	
Fax : +31-(0)26 - 3541 650		www.dutchi.com	

Power is our commodity, the world is our market !



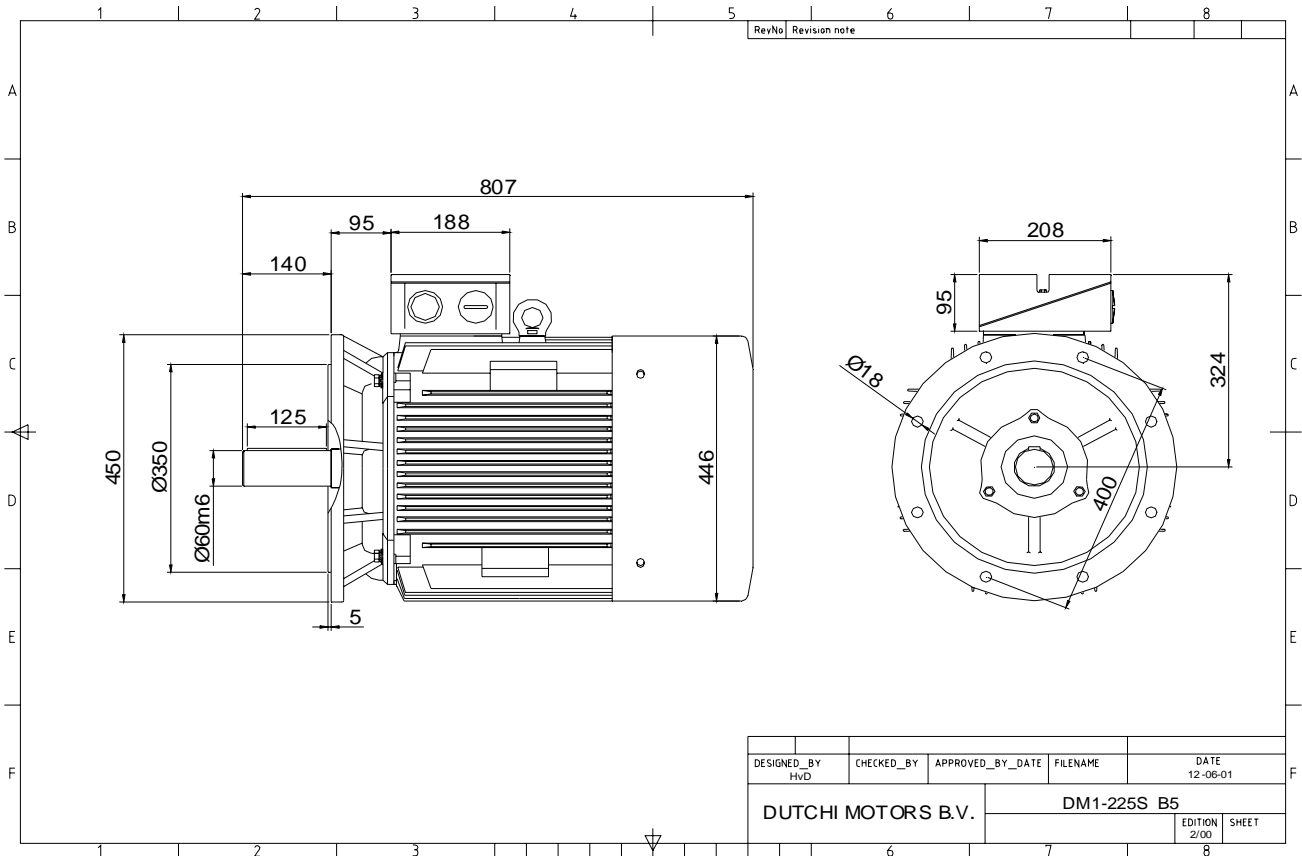
DESIGNED BY HvD	CHECKED BY	APPROVED BY DATE	FILENAME	DATE 09-02-00
DUTCHI MOTORS B.V.			DM1-225S B35	EDITION 2/00
				SHEET

Specification	IEC 60034-1
Manufacturer	Dutchi Motors B.V.
Motor type	DM1- 225 S4
Rated power	37,00 kW S1 duty
Speed	1475 r.p.m
Voltage	400 / 690 V
Frequency	50 Hz
Connection	Δ / Y
Amps full load	67,1 / 38,7 A
Amps no-load(400V)	23,3 A
Enclosure	IP 55
Insulation Class	F (temp. rise B (80 K))
Max. coolant temp.	40°C
Max. altitude	1.000 mtr, above sea level
Comment	3 x PTC 150°C
Cable entries	2 x M50x1,5 + 1 x M20x1,5 (ptc)
Feature	Cast-iron motor
Weight	287 kg
Catalog no.	11534A37D
Warranty	12~18 months

Efficiency class	EFF 2			
Load data	100%	75%	50%	25%
Efficiency	92,5	92,8	92,2	88,3 %
Power factor	0,86	0,83	0,75	0,53
Sound pressure level (1m)				67,1 dB(A)
Resistance R20 (open)				0,218 Ω
Resistance R20	Δ			0,146 Ω
Full load torque				240 Nm
DOL Starting torque vs FL torque				2,10
DOL Pull up torque vs FL torque				1,53
DOL Pull out torque vs FL torque				3,01
Star-Delta Starting torque vs FL torque				0,66
Star-Delta Pull up torque vs FL torque				0,48
Star-Delta Pull out torque vs FL torque				0,94
DOL Starting current vs FL current				6,43
Star Delta Starting current vs FL current				2,01
Rotor Inertia				0,3900 kgm ²
Bearing DE				6313 - ZZ C3
Bearing NDE				6313 - ZZ C3

WI	Change	date	sign.
Dutchi Motors B.V. P.O. Box 5390 NL-6802 EJ ARNHEM Tel : +31-(0)26 - 3541 600 Fax : +31-(0)26 - 3541 650		Discription Drawing made by :	date 27-04-04 sign. HvD
dutchi.motors@dutchi.nl www.dutchi.com			

Power is our commodity, the world is our market !



DESIGNED_BY HvD	CHECKED_BY	APPROVED_BY_DATE	FILENAME	DATE 12-06-01
DUTCHI MOTORS B.V.			DM1-225S B5	
			EDITION 2/00	SHEET

Specification **IEC 60034-1**
 Manufacturer **Dutchi Motors B.V.**
 Motor type **DM1- 225 S4**
 Rated power **37,00 kW S1** duty
 Speed **1475** r.p.m
 Voltage **400 / 690** V
 Frequency **50** Hz
 Connection **Δ / Y**
 Amps full load **67,1 / 38,7** A
 Amps no-load(400V) **23,3** A
 Enclosure **IP 55**
 Insulation Class **F (temp. rise B (80 K))**

Max. coolant temp. **40°C**
 Max. altitude **1.000** mtr, above sea level
 Comment **3 x PTC 150°C**
 Cable entries **2 x M50x1,5 + 1 x M20x1,5 (ptc)**

Feature **Cast-iron motor**
 Weight **287** kg
 Catalog no. **11234A37D**
 Warranty **12~18 months**

Efficiency class **EFF 2**
 Load data 100% 75% 50% 25%
 Efficiency **92,5 92,8 92,2 88,3** %
 Power factor **0,86 0,83 0,75 0,53**

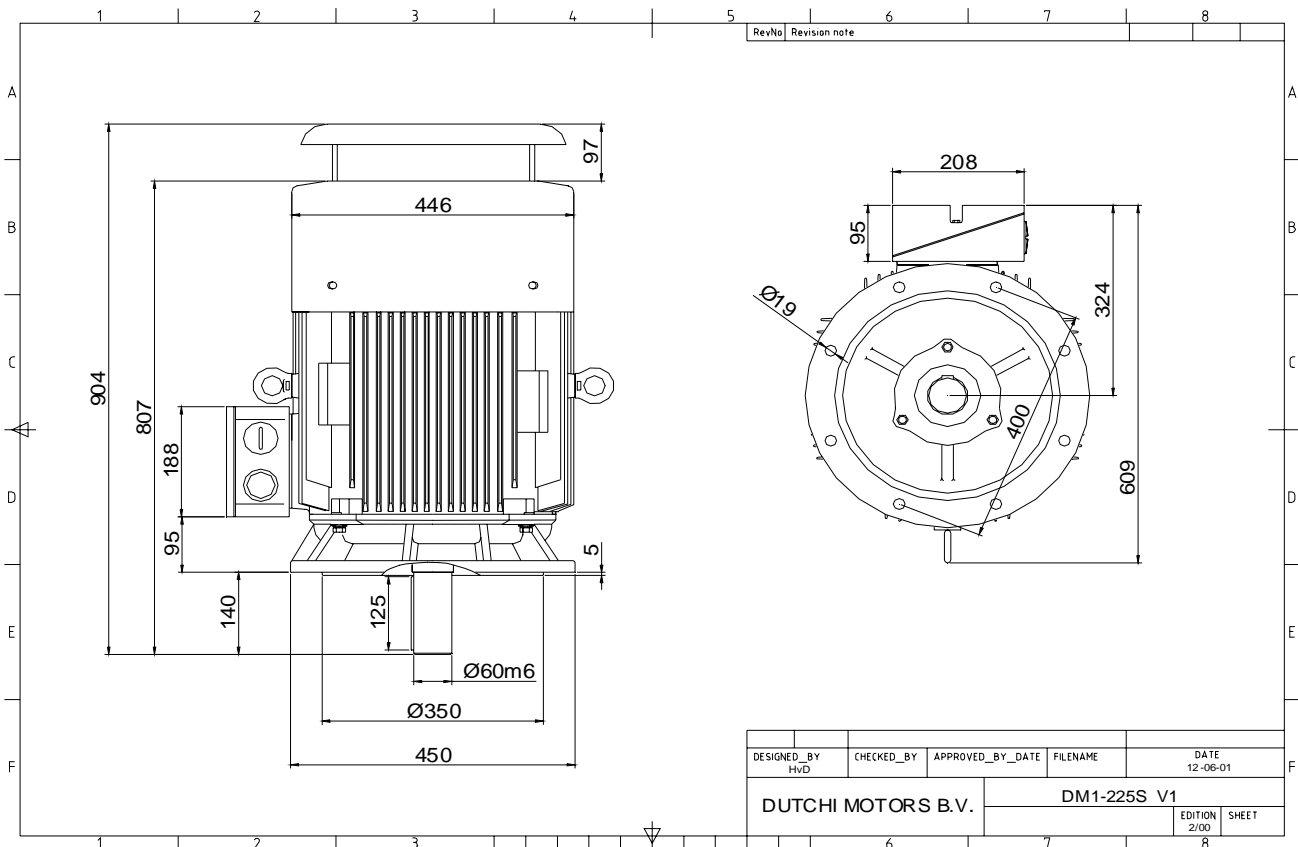
Sound pressure level (1m) **67,1** dB(A)
 Resistance R20 (open) **0,218** Ω
 Resistance R20 **Δ 0,146** Ω

Full load torque **240** Nm
 DOL Starting torque vs FL torque **2,10**
 DOL Pull up torque vs FL torque **1,53**
 DOL Pull out torque vs FL torque **3,01**
 Star-Delta Starting torque vs FL torque **0,66**
 Star-Delta Pull up torque vs FL torque **0,48**
 Star-Delta Pull out torque vs FL torque **0,94**
 DOL Starting current vs FL current **6,43**
 Star Delta Starting current vs FL current **2,01**
 Rotor Inertia **0,3900** kgm2

Bearing DE **6313 - ZZ C3**
 Bearing NDE **6313 - ZZ C3**

WI	Change	date	sign.
Dutchi Motors B.V.		Description	date
P.O. Box 5390		Drawing made by :	27-04-04
NL-6802 EJ ARNHEM			
Tel : +31-(0)26 - 3541 600		dutchi.motors@dutchi.nl	
Fax : +31-(0)26 - 3541 650		www.dutchi.com	

Power is our commodity, the world is our market !



Specification **IEC 60034-1**
 Manufacturer **Dutchi Motors B.V.**
 Motor type **DM1- 225 S4**
 Rated power **37,00 kW S1** duty
 Speed **1475** r.p.m
 Voltage **400 / 690** V
 Frequency **50** Hz
 Connection **Δ / Y**
 Amps full load **67,1 / 38,7** A
 Amps no-load(400V) **23,3** A
 Enclosure **IP 55**
 Insulation Class **F (temp. rise B (80 K))**

Max. coolant temp. **40°C**
 Max. altitude **1.000** mtr, above sea level
 Comment **3 x PTC 150°C**
 Cable entries **2 x M50x1,5 + 1 x M20x1,5 (ptc)**

Feature **Cast-iron motor**
 Weight **287** kg
 Catalog no. **11034A37D**
 Warranty **12~18 months**

Efficiency class **EFF 2**

Load data	100%	75%	50%	25%	
Efficiency	92,5	92,8	92,2	88,3	%
Power factor	0,86	0,83	0,75	0,53	

Sound pressure level (1m) **67,1** dB(A)
 Resistance R20 (open) **0,218** Ω
 Resistance R20 **Δ 0,146** Ω

Full load torque **240** Nm
 DOL Starting torque vs FL torque **2,10**
 DOL Pull up torque vs FL torque **1,53**
 DOL Pull out torque vs FL torque **3,01**
 Star-Delta Starting torque vs FL torque **0,66**
 Star-Delta Pull up torque vs FL torque **0,48**
 Star-Delta Pull out torque vs FL torque **0,94**
 DOL Starting current vs FL current **6,43**
 Star Delta Starting current vs FL current **2,01**
 Rotor Inertia **0,3900** kgm²

Bearing DE **6313 - ZZ C3**
 Bearing NDE **6313 - ZZ C3**

WI	Change	date	sign.
Dutchi Motors B.V. P.O. Box 5390 NL-6802 EJ ARNHEM Tel : +31-(0)26 - 3541 600 Fax : +31-(0)26 - 3541 650		Discription Drawing made by :	date 27-04-04 sign. HVD
dutchi.motors@dutchi.nl www.dutchi.com			