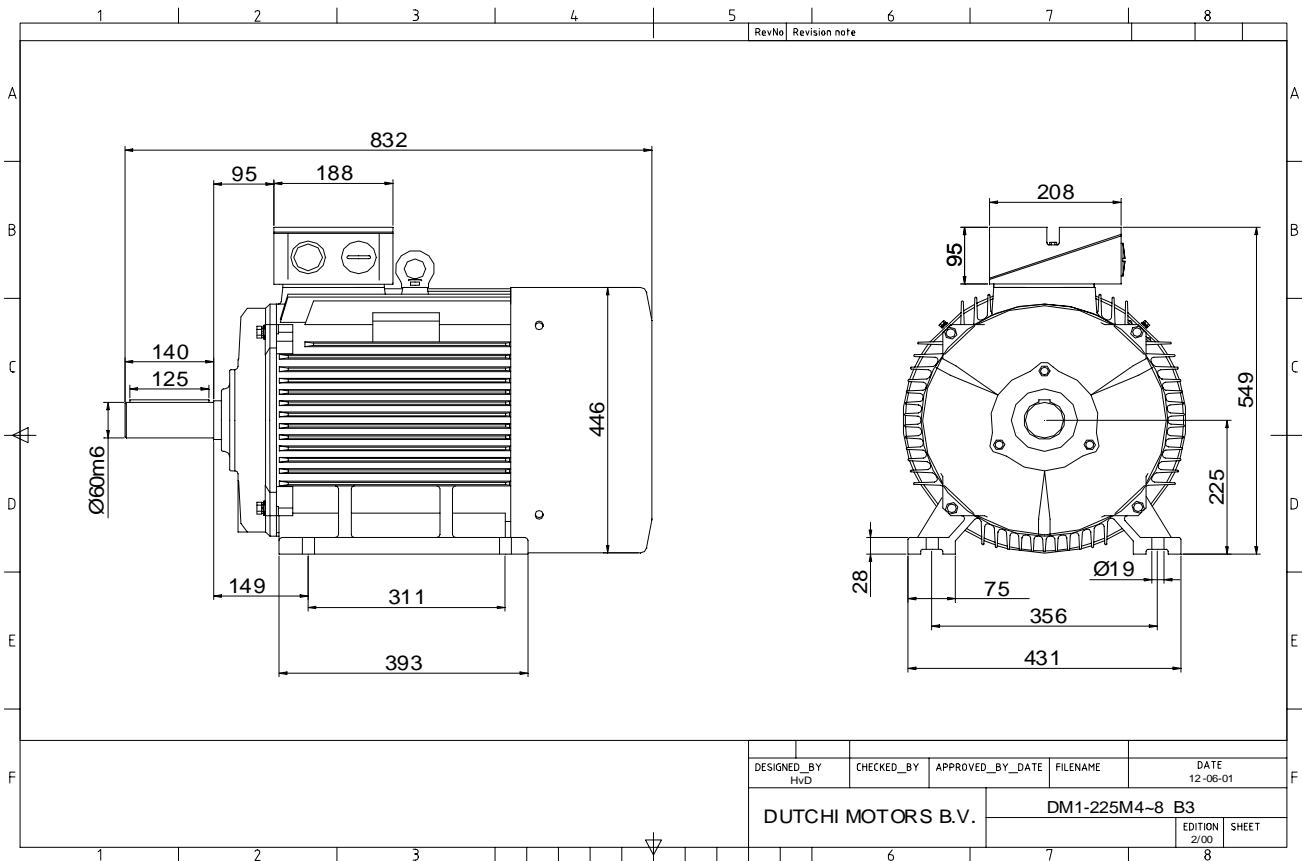


Power is our commodity, the world is our market !



Specification **IEC 60034-1**
 Manufacturer **Dutchi Motors B.V.**
 Motor type **DM1- 225 M4**
 Rated power **45,00 kW S1** duty
 Speed **1475** r.p.m
 Voltage **400 / 690** V
 Frequency **50** Hz
 Connection **Δ / Y**
 Amps full load **80,5 / 46,5** A
 Amps no-load(400V) **26,13** A
 Enclosure **IP 55**
 Insulation Class **F (temp. rise B (80 K))**

Max. coolant temp. **40°C**
 Max. altitude **1.000** mtr, above sea level
 Comment **3 x PTC 150°C**
 Cable entries **2 x M50x1,5 + 1 x M20x1,5 (ptc)**

Feature **Cast-iron motor**
 Weight **232** kg
 Catalog no. **11134A45D**
 Warranty **12~18 months**

Efficiency class **EFF 2**
 Load data 100% 75% 50% 25%
 Efficiency **92,8 93,0 92,2 88,0** %
 Power factor **0,87 0,85 0,78 0,57**

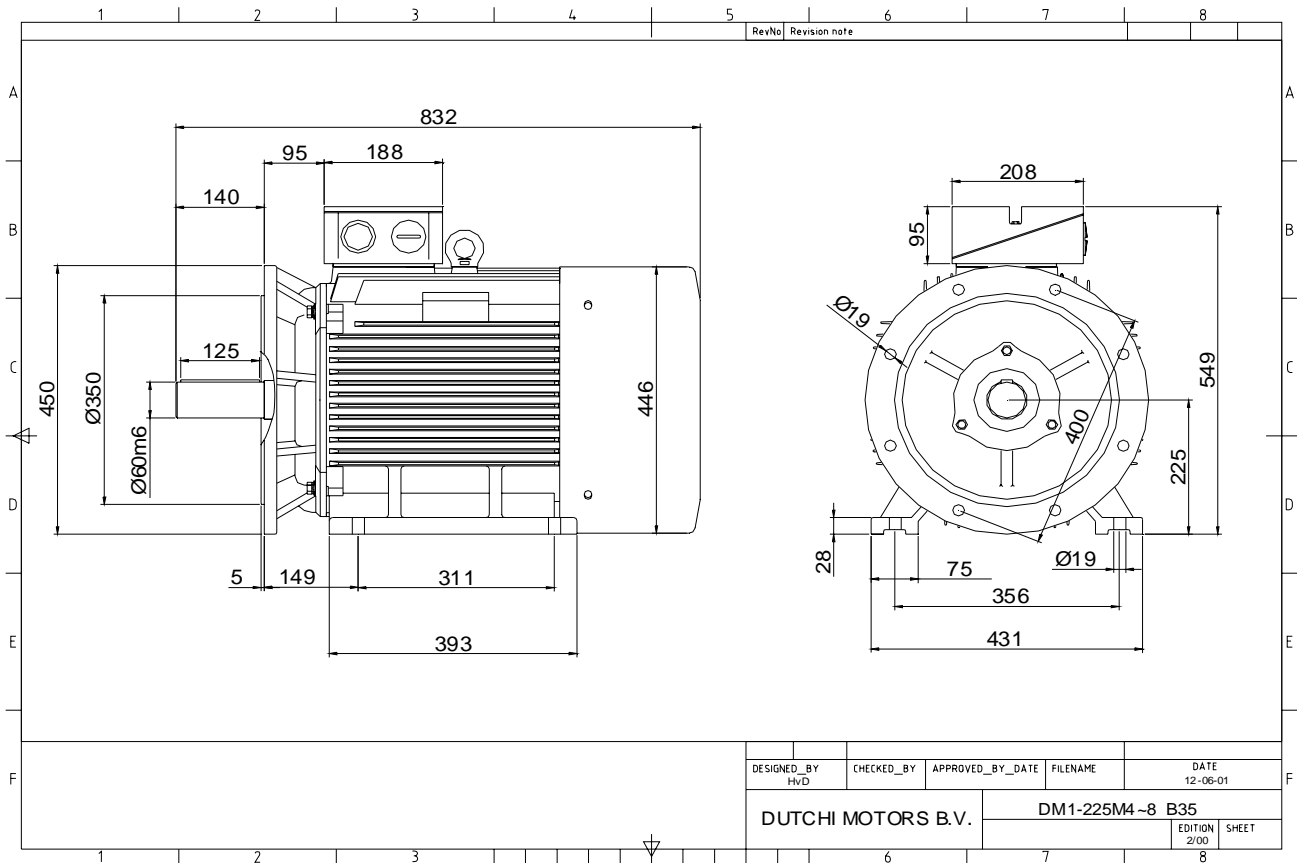
Sound pressure level (1m) **77,5** dB(A)
 Resistance R20 (open) **0,157** Ω
 Resistance R20 **Δ 0,105** Ω

Full load torque **291,36** Nm
 DOL Starting torque vs FL torque **2,29**
 DOL Pull up torque vs FL torque **1,66**
 DOL Pull out torque vs FL torque **3,20**
 Star-Delta Starting torque vs FL torque **0,71**
 Star-Delta Pull up torque vs FL torque **0,52**
 Star-Delta Pull out torque vs FL torque **1,00**
 DOL Starting current vs FL current **7,11**
 Star Delta Starting current vs FL current **2,22**
 Rotor Inertia **0,2450** kgm²

Bearing DE **6313 - ZZ C3**
 Bearing NDE **6313 - ZZ C3**

WI	Change	date	sign.
Dutchi Motors B.V. P.O. Box 5390 NL-6802 EJ ARNHEM Tel : +31-(0)26 - 3541 600 Fax : +31-(0)26 - 3541 650	Description	date	sign.
	Drawing made by :	27-04-04	HvD
	dutchi.motors@dutchi.nl www.dutchi.com		

Power is our commodity, the world is our market !



Specification **IEC 60034-1**
 Manufacturer **Dutchi Motors B.V.**
 Motor type **DM1- 225 M4**
 Rated power **45,00 kW S1** duty
 Speed **1475** r.p.m
 Voltage **400 / 690** V
 Frequency **50** Hz
 Connection **Δ / Y**
 Amps full load **80,5 / 46,5** A
 Amps no-load(400V) **26,13** A
 Enclosure **IP 55**
 Insulation Class **F (temp. rise B (80 K))**

Max. coolant temp. **40°C**
 Max. altitude **1.000** mtr, above sea level
 Comment **3 x PTC 150°C**
 Cable entries **2 x M50x1,5 + 1 x M20x1,5 (ptc)**

Feature **Cast-iron motor**
 Weight **232** kg
 Catalog no. **11234A45D**
 Warranty **12~18 months**

Efficiency class **EFF 2**
 Load data 100% 75% 50% 25%
 Efficiency **92,8 93,0 92,2 88,0** %
 Power factor **0,87 0,85 0,78 0,57**

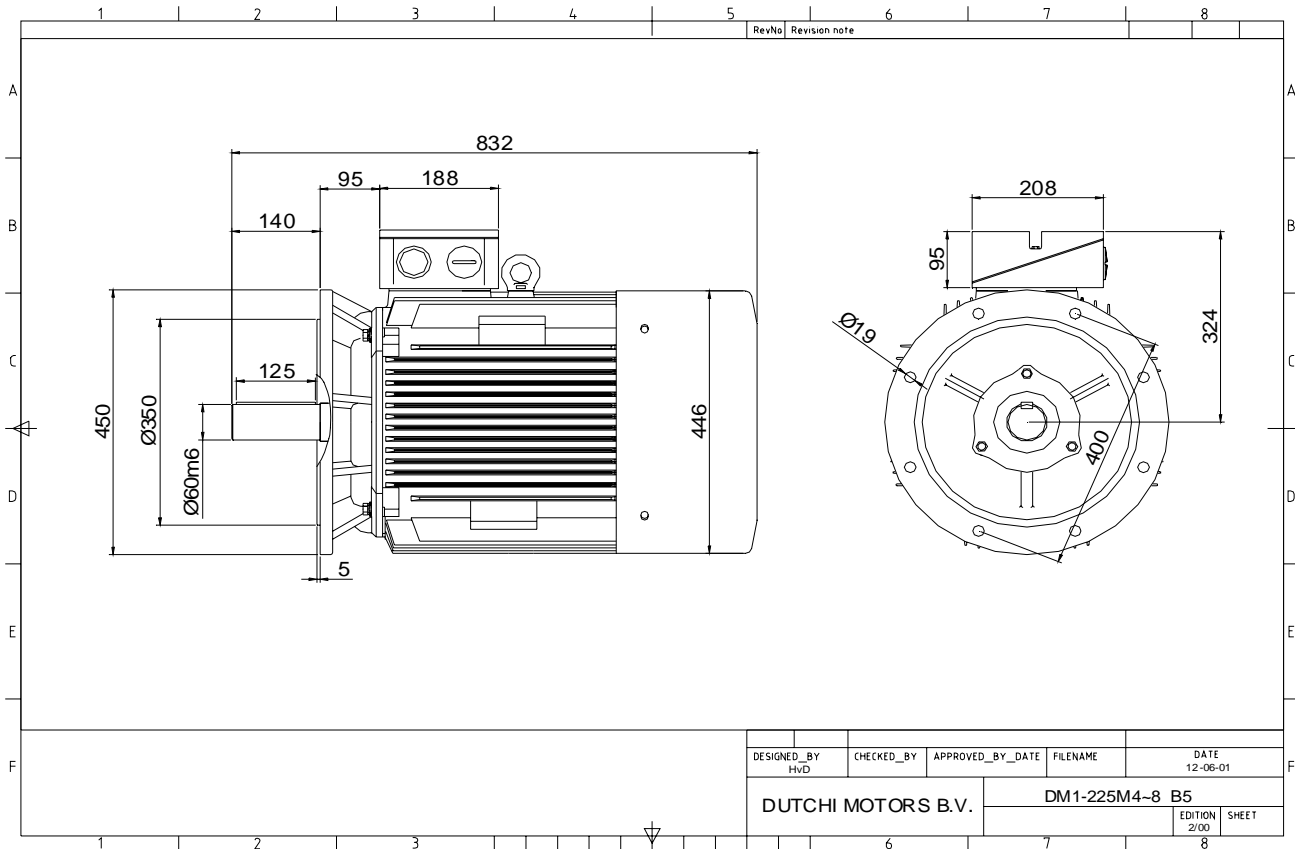
Sound pressure level (1m) **77,5** dB(A)
 Resistance R20 (open) **0,157** Ω
 Resistance R20 **Δ 0,105** Ω

Full load torque **291,36** Nm
 DOL Starting torque vs FL torque **2,29**
 DOL Pull up torque vs FL torque **1,66**
 DOL Pull out torque vs FL torque **3,20**
 Star-Delta Starting torque vs FL torque **0,71**
 Star-Delta Pull up torque vs FL torque **0,52**
 Star-Delta Pull out torque vs FL torque **1,00**
 DOL Starting current vs FL current **7,11**
 Star Delta Starting current vs FL current **2,22**
 Rotor Inertia **0,2450** kgm²

Bearing DE **6313 - ZZ C3**
 Bearing NDE **6313 - ZZ C3**

WI	Change	date	sign.
Dutchi Motors B.V.		Description	date
P.O. Box 5390		Drawing made by :	27-04-04
NL-6802 EJ ARNHEM			
Tel : +31-(0)26 - 3541 600		dutchi.motors@dutchi.nl	
Fax : +31-(0)26 - 3541 650		www.dutchi.com	

Power is our commodity, the world is our market !



Specification **IEC 60034-1**
 Manufacturer **Dutchi Motors B.V.**
 Motor type **DM1- 225 M4**
 Rated power **45,00 kW S1** duty
 Speed **1475** r.p.m
 Voltage **400 / 690** V
 Frequency **50** Hz
 Connection **Δ / Y**
 Amps full load **80,5 / 46,5** A
 Amps no-load(400V) **26,13** A
 Enclosure **IP 55**
 Insulation Class **F (temp. rise B (80 K))**

Max. coolant temp. **40°C**
 Max. altitude **1.000** mtr, above sea level
 Comment **3 x PTC 150°C**
 Cable entries **2 x M50x1,5 + 1 x M20x1,5 (ptc)**

Feature **Cast-iron motor**
 Weight **232** kg
 Catalog no. **11534A45D**
 Warranty **12~18 months**

Efficiency class **EFF 2**
 Load data 100% 75% 50% 25%
 Efficiency **92,8 93,0 92,2 88,0** %
 Power factor **0,87 0,85 0,78 0,57**

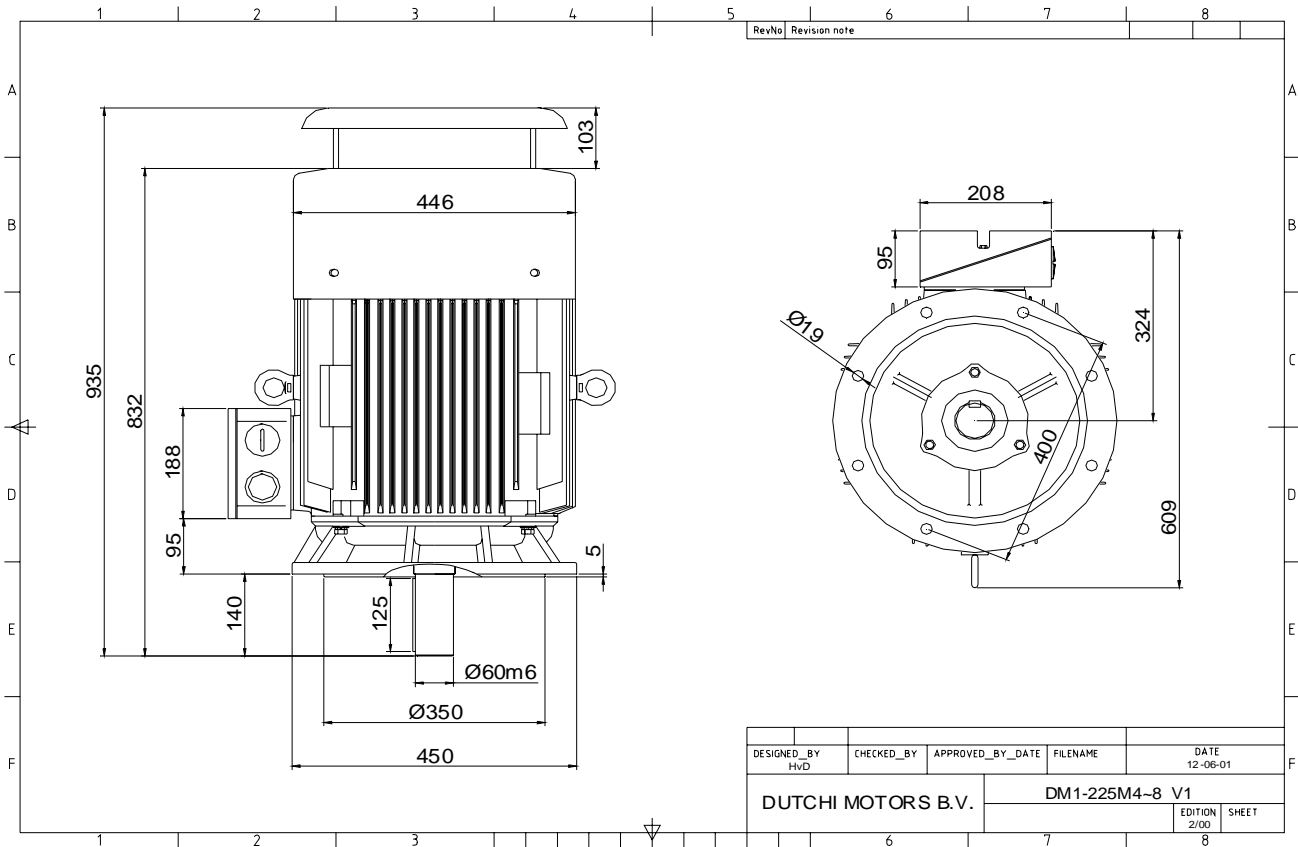
Sound pressure level (1m) **77,5** dB(A)
 Resistance R20 (open) **0,157** Ω
 Resistance R20 **Δ 0,105** Ω

Full load torque **291,36** Nm
 DOL Starting torque vs FL torque **2,29**
 DOL Pull up torque vs FL torque **1,66**
 DOL Pull out torque vs FL torque **3,20**
 Star-Delta Starting torque vs FL torque **0,71**
 Star-Delta Pull up torque vs FL torque **0,52**
 Star-Delta Pull out torque vs FL torque **1,00**
 DOL Starting current vs FL current **7,11**
 Star Delta Starting current vs FL current **2,22**
 Rotor Inertia **0,2450** kgm²

Bearing DE **6313 - ZZ C3**
 Bearing NDE **6313 - ZZ C3**

WI	Change	date	sign.
Dutchi Motors B.V. P.O. Box 5390 NL-6802 EJ ARNHEM Tel : +31-(0)26 - 3541 600 Fax : +31-(0)26 - 3541 650		Discription Drawing made by : 27-04-04	date sign. HvD
dutchi.motors@dutchi.nl www.dutchi.com			

Power is our commodity, the world is our market !



Specification **IEC 60034-1**
 Manufacturer **Dutchi Motors B.V.**
 Motor type **DM1- 225 M4**
 Rated power **45,00 kW S1** duty
 Speed **1475** r.p.m
 Voltage **400 / 690** V
 Frequency **50** Hz
 Connection **Δ / Y**
 Amps full load **80,5 / 46,5** A
 Amps no-load(400V) **26,13** A
 Enclosure **IP 55**
 Insulation Class **F (temp. rise B (80 K))**

Max. coolant temp. **40°C**
 Max. altitude **1.000** mtr, above sea level
 Comment **3 x PTC 150°C**
 Cable entries **2 x M50x1,5 + 1 x M20x1,5 (ptc)**

Feature **Cast-iron motor**
 Weight **232** kg
 Catalog no. **11034A45D**
 Warranty **12~18 months**

Efficiency class **EFF 2**
 Load data 100% 75% 50% 25%
 Efficiency **92,8 93,0 92,2 88,0** %
 Power factor **0,87 0,85 0,78 0,57**

Sound pressure level (1m) **77,5** dB(A)
 Resistance R20 (open) **0,157** Ω
 Resistance R20 **Δ 0,105** Ω

Full load torque **291,36** Nm
 DOL Starting torque vs FL torque **2,29**
 DOL Pull up torque vs FL torque **1,66**
 DOL Pull out torque vs FL torque **3,20**
 Star-Delta Starting torque vs FL torque **0,71**
 Star-Delta Pull up torque vs FL torque **0,52**
 Star-Delta Pull out torque vs FL torque **1,00**
 DOL Starting current vs FL current **7,11**
 Star Delta Starting current vs FL current **2,22**
 Rotor Inertia **0,2450** kgm²

Bearing DE **6313 - ZZ C3**
 Bearing NDE **6313 - ZZ C3**

WI	Change	date	sign.
Dutchi Motors B.V. P.O. Box 5390 NL-6802 EJ ARNHEM Tel : +31-(0)26 - 3541 600 Fax : +31-(0)26 - 3541 650		Discription Drawing made by : 27-04-04	date sign. HVD
dutchi.motors@dutchi.nl www.dutchi.com			