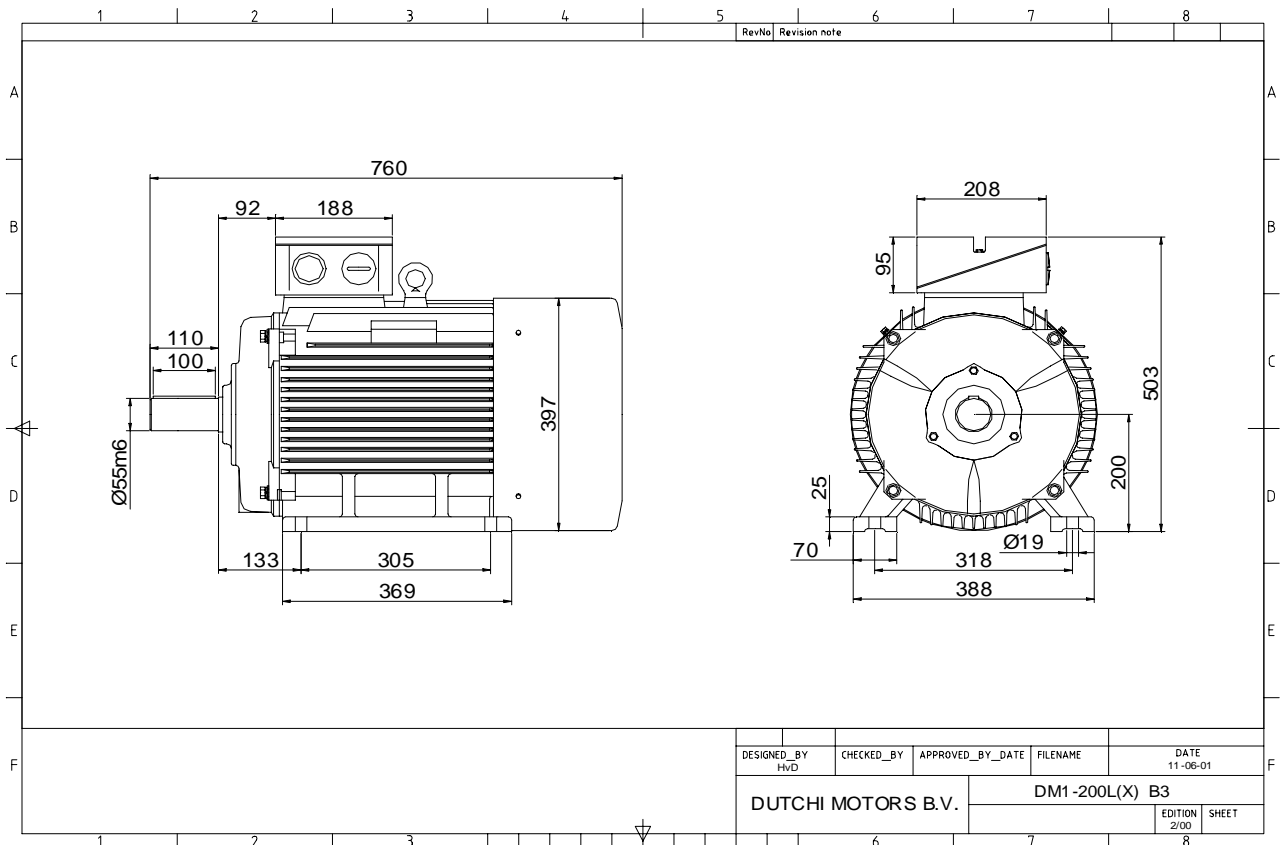


Power is our commodity, the world is our market !



Specification **IEC 60034-1**  
 Manufacturer **Dutchi Motors B.V.**  
 Motor type **DM1- 200 L4**  
 Rated power **30** kW **S1** duty  
 Speed **1465** r.p.m  
 Voltage **400** / **690** V  
 Frequency **50** Hz  
 Connection **Δ** / **Y**  
 Amps full load **53,9** / **31,1** A  
 Amps no-load(400V) **19,81** A  
 Enclosure **IP 55**  
 Insulation Class **F (temp. rise B (80 K))**

Max. coolant temp. **40°C**  
 Max. altitude **1.000** mtr, above sea level  
 Comment **3 x PTC 150°C**  
 Cable entries **2 x M50x1,5 + 1 x M20x1,5 (ptc)**

Feature **Cast-iron motor**  
 Weight **232** kg  
 Catalog no. **11134A30D**  
 Warranty **12~18 months**

Efficiency class **EFF 2**  
 Load data 100% 75% 50% 25%  
 Efficiency **92,0 92,3 91,4 86,8** %  
 Power factor **0,87 0,84 0,75 0,52**

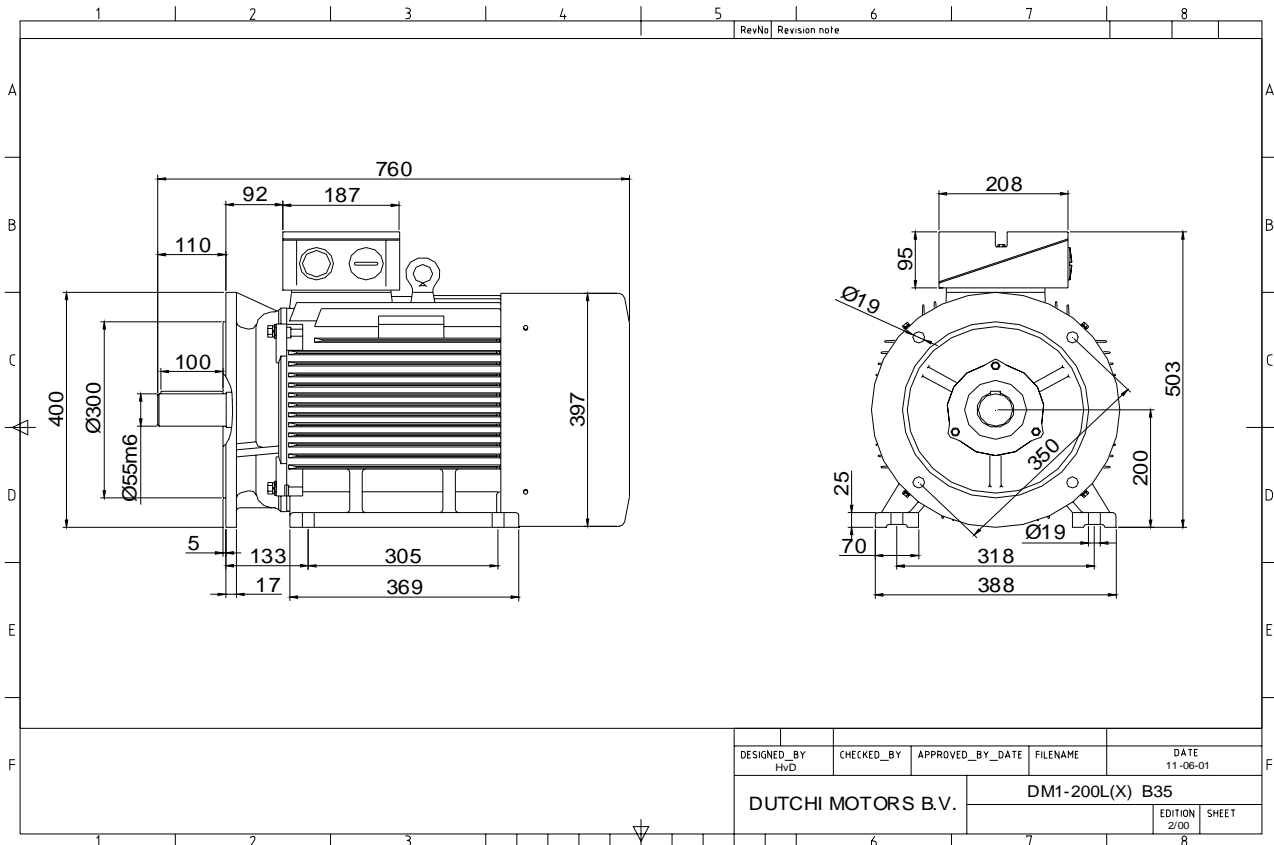
Sound pressure level (1m) **67,2** dB(A)  
 Resistance R20 (open) **0,258** Ω  
 Resistance R20 **Δ 0,172** Ω

Full load torque **195,56** Nm  
 DOL Starting torque vs FL torque **2,38**  
 DOL Pull up torque vs FL torque **1,72**  
 DOL Pull out torque vs FL torque **3,29**  
 Star-Delta Starting torque vs FL torque **0,74**  
 Star-Delta Pull up torque vs FL torque **0,54**  
 Star-Delta Pull out torque vs FL torque **1,03**  
 DOL Starting current vs FL current **7,22**  
 Star Delta Starting current vs FL current **2,25**  
 Rotor Inertia **0,2450** kgm<sup>2</sup>

Bearing DE **6312 - ZZ C3**  
 Bearing NDE **6312 - ZZ C3**


WI	Change	date	sign.
<b>Dutchi Motors B.V.</b> P.O. Box 5390 NL-6802 EJ ARNHEM Tel : +31-(0)26 - 3541 600 Fax : +31-(0)26 - 3541 650		Description	date
		Drawing made by :	27-04-04
		<b>dutchi.motors@dutchi.nl</b> <b>www.dutchi.com</b>	

Power is our commodity, the world is our market !



Specification **IEC 60034-1**  
 Manufacturer **Dutchi Motors B.V.**  
 Motor type **DM1- 200 L4**  
 Rated power **30** kW **S1** duty  
 Speed **1465** r.p.m  
 Voltage **400 / 690** V  
 Frequency **50** Hz  
 Connection **Δ / Y**  
 Amps full load **53,9 / 31,1** A  
 Amps no-load(400V) **19,81** A  
 Enclosure **IP 55**  
 Insulation Class **F (temp. rise B (80 K))**

Max. coolant temp. **40°C**  
 Max. altitude **1.000** mtr, above sea level  
 Comment **3 x PTC 150°C**  
 Cable entries **2 x M50x1,5 + 1 x M20x1,5 (ptc)**

Feature **Cast-iron motor**  
 Weight **232** kg  
 Catalog no. **11534A30D**  
 Warranty **12~18 months**

Efficiency class **EFF 2**  
 Load data 100% 75% 50% 25%  
 Efficiency **92,0 92,3 91,4 86,8** %  
 Power factor **0,87 0,84 0,75 0,52**

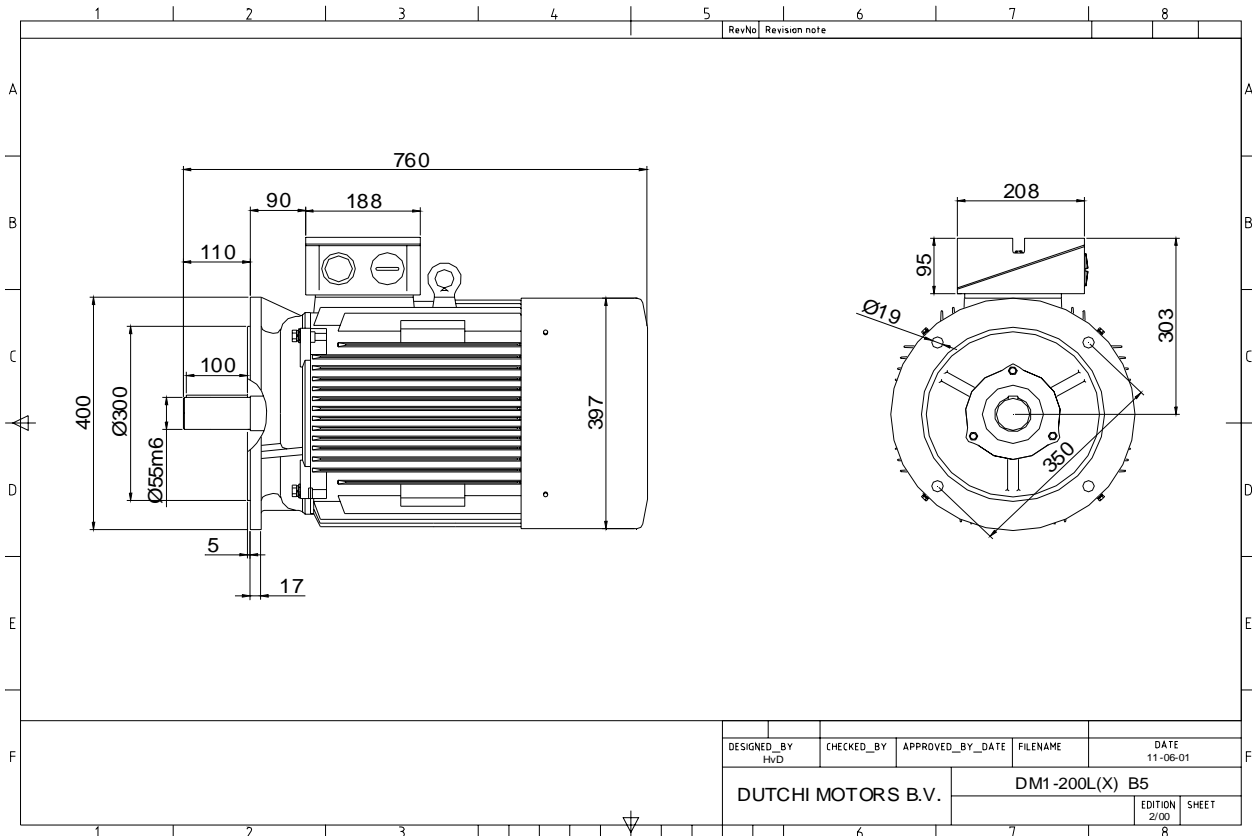
Sound pressure level (1m) **67,2** dB(A)  
 Resistance R20 (open) **0,258** Ω  
 Resistance R20 **Δ 0,172** Ω

Full load torque **195,56** Nm  
 DOL Starting torque vs FL torque **2,38**  
 DOL Pull up torque vs FL torque **1,72**  
 DOL Pull out torque vs FL torque **3,29**  
 Star-Delta Starting torque vs FL torque **0,74**  
 Star-Delta Pull up torque vs FL torque **0,54**  
 Star-Delta Pull out torque vs FL torque **1,03**  
 DOL Starting current vs FL current **7,22**  
 Star Delta Starting current vs FL current **2,25**  
 Rotor Inertia **0,2450** kgm<sup>2</sup>

Bearing DE **6312 - ZZ C3**  
 Bearing NDE **6312 - ZZ C3**


WI	Change	date	sign.
<b>Dutchi Motors B.V.</b> P.O. Box 5390 NL-6802 EJ ARNHEM Tel : +31-(0)26 - 3541 600 Fax : +31-(0)26 - 3541 650		Discription Drawing made by :	date 27-04-04 sign. HVD
		<b>dutchi.motors@dutchi.nl</b> <b>www.dutchi.com</b>	

Power is our commodity, the world is our market !



Specification **IEC 60034-1**  
 Manufacturer **Dutchi Motors B.V.**  
 Motor type **DM1- 200 L4**  
 Rated power **30** kW **S1** duty  
 Speed **1465** r.p.m  
 Voltage **400 / 690** V  
 Frequency **50** Hz  
 Connection **Δ / Y**  
 Amps full load **53,9 / 31,1** A  
 Amps no-load(400V) **19,81** A  
 Enclosure **IP 55**  
 Insulation Class **F (temp. rise B (80 K))**

Max. coolant temp. **40°C**  
 Max. altitude **1.000** mtr, above sea level  
 Comment **3 x PTC 150°C**  
 Cable entries **2 x M50x1,5 + 1 x M20x1,5 (ptc)**

Feature **Cast-iron motor**  
 Weight **232** kg  
 Catalog no. **11234A30D**  
 Warranty **12~18 months**

Efficiency class **EFF 2**  
 Load data 100% 75% 50% 25%  
 Efficiency **92,0 92,3 91,4 86,8** %  
 Power factor **0,87 0,84 0,75 0,52**

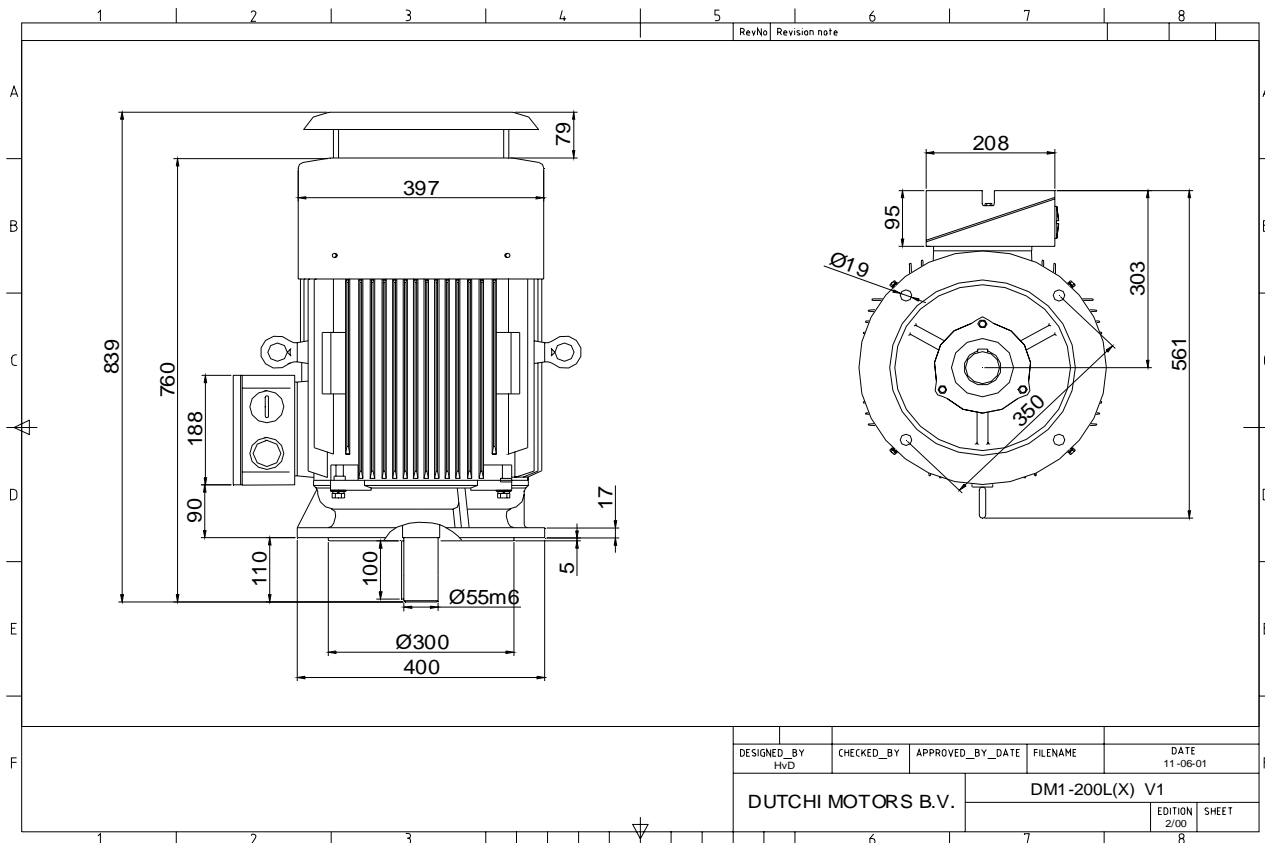
Sound pressure level (1m) **67,2** dB(A)  
 Resistance R20 (open) **0,258** Ω  
 Resistance R20 **Δ 0,172** Ω

Full load torque **195,56** Nm  
 DOL Starting torque vs FL torque **2,38**  
 DOL Pull up torque vs FL torque **1,72**  
 DOL Pull out torque vs FL torque **3,29**  
 Star-Delta Starting torque vs FL torque **0,74**  
 Star-Delta Pull up torque vs FL torque **0,54**  
 Star-Delta Pull out torque vs FL torque **1,03**  
 DOL Starting current vs FL current **7,22**  
 Star Delta Starting current vs FL current **2,25**  
 Rotor Inertia **0,2450** kgm<sup>2</sup>

Bearing DE **6312 - ZZ C3**  
 Bearing NDE **6312 - ZZ C3**


WI	Change	date	sign.
<b>Dutchi Motors B.V.</b> P.O. Box 5390 NL-6802 EJ ARNHEM Tel : +31-(0)26 - 3541 600 Fax : +31-(0)26 - 3541 650		Discription Drawing made by : 27-04-04	date sign. HvD
dutchi.motors@dutchi.nl www.dutchi.com			

Power is our commodity, the world is our market !



Specification **IEC 60034-1**  
 Manufacturer **Dutchi Motors B.V.**  
 Motor type **DM1- 200 L4**  
 Rated power **30** kW **S1** duty  
 Speed **1465** r.p.m  
 Voltage **400 / 690** V  
 Frequency **50** Hz  
 Connection **Δ / Y**  
 Amps full load **53,9 / 31,1** A  
 Amps no-load(400V) **19,81** A  
 Enclosure **IP 55**  
 Insulation Class **F (temp. rise B (80 K))**

Max. coolant temp. **40°C**  
 Max. altitude **1.000** mtr, above sea level  
 Comment **3 x PTC 150°C**  
 Cable entries **2 x M50x1,5 + 1 x M20x1,5 (ptc)**

Feature **Cast-iron motor**  
 Weight **232** kg  
 Catalog no. **11034A30D**  
 Warranty **12~18 months**

Efficiency class **EFF 2**  
 Load data 100% 75% 50% 25%  
 Efficiency **92,0 92,3 91,4 86,8** %  
 Power factor **0,87 0,84 0,75 0,52**

Sound pressure level (1m) **67,2** dB(A)  
 Resistance R20 (open) **0,258** Ω  
 Resistance R20 **Δ 0,172** Ω

Full load torque **195,56** Nm  
 DOL Starting torque vs FL torque **2,38**  
 DOL Pull up torque vs FL torque **1,72**  
 DOL Pull out torque vs FL torque **3,29**  
 Star-Delta Starting torque vs FL torque **0,74**  
 Star-Delta Pull up torque vs FL torque **0,54**  
 Star-Delta Pull out torque vs FL torque **1,03**  
 DOL Starting current vs FL current **7,22**  
 Star Delta Starting current vs FL current **2,25**  
 Rotor Inertia **0,2450** kgm<sup>2</sup>

Bearing DE **6312 - ZZ C3**  
 Bearing NDE **6312 - ZZ C3**


WI	Change	date	sign.
Dutchi Motors B.V.		Description	date
P.O. Box 5390		Drawing made by :	27-04-04
NL-6802 EJ ARNHEM			
Tel : +31-(0)26 - 3541 600		<b>dutchi.motors@dutchi.nl</b>	
Fax : +31-(0)26 - 3541 650		<b>www.dutchi.com</b>	