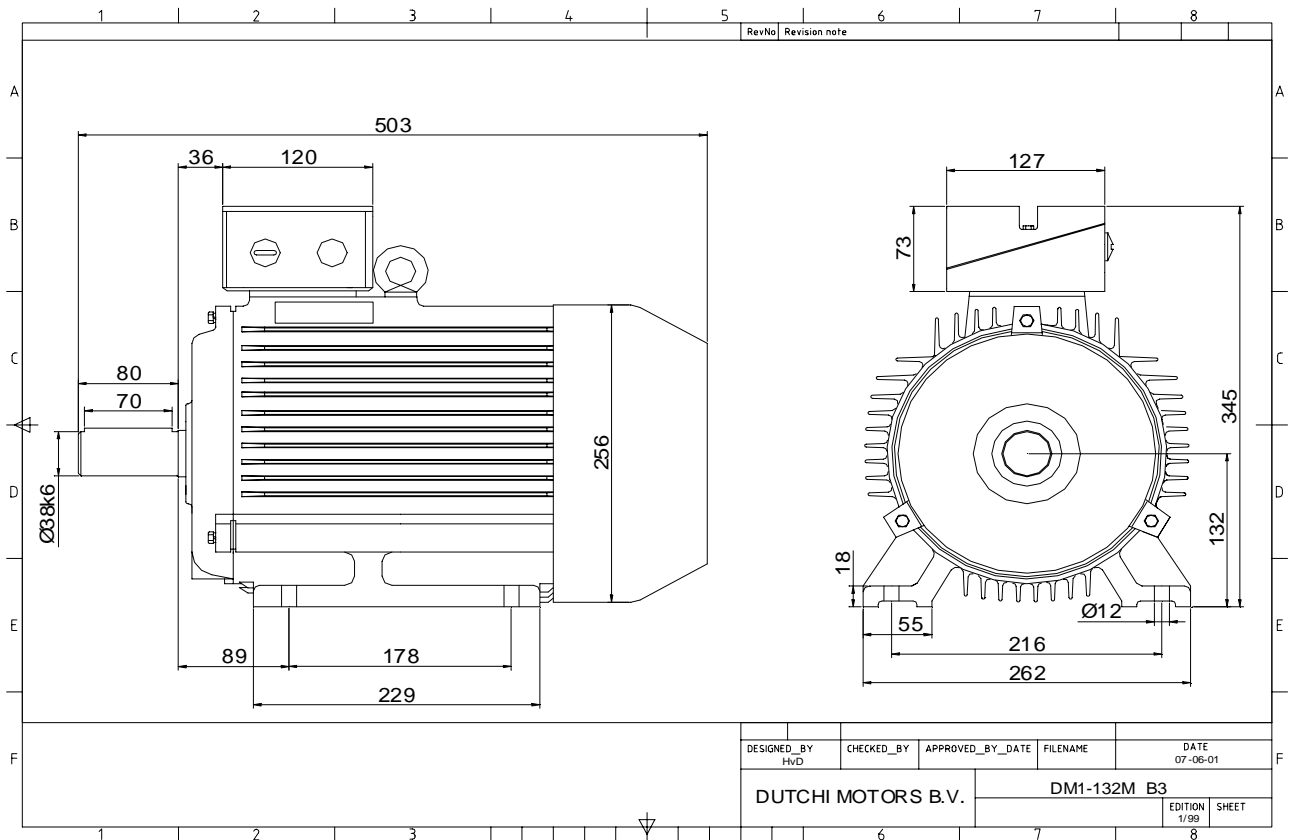


Power is our commodity, the world is our market !



Specification **IEC 60034-1**
 Manufacturer **Dutchi Motors B.V.**
 Motor type **DM1- 132 MY4**
 Rated power **11** kW **S1** duty
 Speed **1435** r.p.m
 Voltage **400** / **690** V
 Frequency **50** Hz
 Connection **Δ** / **Y**
 Amps full load **22,10** / **12,76** A
 Amps no-load(400V) **10,20** A
 Enclosure **IP 55**
 Insulation Class **F (temp. rise F)**

Max. coolant temp. **40°C**
 Max. altitude **1.000** mtr, above sea level
 Comment **3 x PTC 150°C**
 Cable entries **2 x M32x1,5 + 1 x M20x1,5 (ptc)**

Feature **Cast-iron motor**
 Weight **85,0** kg
 Catalog no.
 Warranty **12~18 months**

Efficiency class **N/A**
 Load data 100% 75% 50% 25%
 Efficiency **85,7 86,4 85,6 79,5** %
 Power factor **0,84 0,78 0,68 0,47**

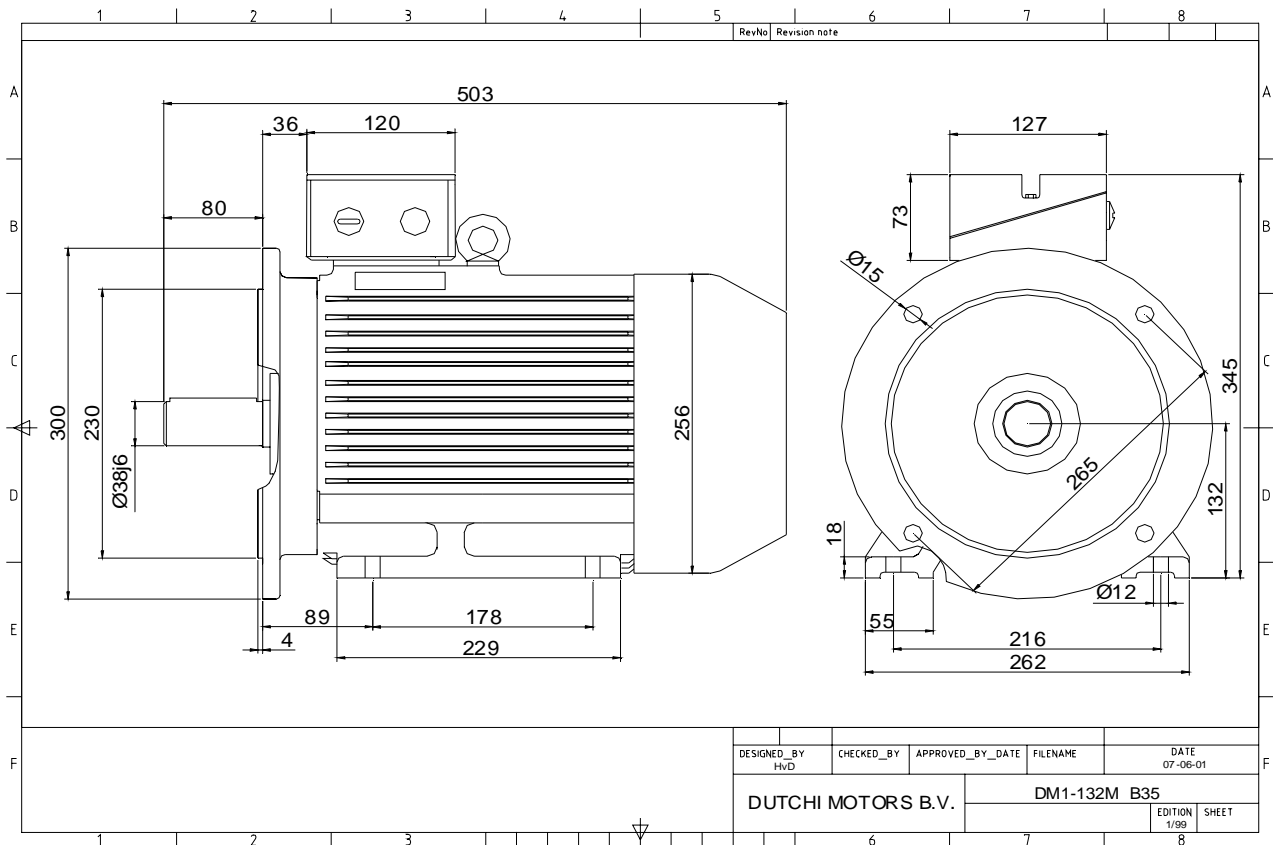
Sound pressure level (1m) **60,9** dB(A)
 Resistance R20 (open) **1,15** Ω
 Resistance R20 **Δ 0,77** Ω

Full load torque **73,21** Nm
 DOL Starting torque vs FL torque **2,57**
 DOL Pull up torque vs FL torque **1,79**
 DOL Pull out torque vs FL torque **3,21**
 Star-Delta Starting torque vs FL torque **0,80**
 Star-Delta Pull up torque vs FL torque **0,56**
 Star-Delta Pull out torque vs FL torque **1,00**
 DOL Starting current vs FL current **7,33**
 Star Delta Starting current vs FL current **2,29**
 Rotor Inertia **0,0299** kgm²

Bearing DE **6308 - ZZ C3**
 Bearing NDE **6308 - ZZ C3**

WI	Change	date	sign.
Dutchi Motors B.V.		Description	date
P.O. Box 5390		Drawing made by :	19-04-04
NL-6802 EJ ARNHEM			
Tel : +31-(0)26 - 3541 600		dutchi.motors@dutchi.nl	
Fax : +31-(0)26 - 3541 650		www.dutchi.com	

Power is our commodity, the world is our market !



Specification **IEC 60034-1**
 Manufacturer **Dutchi Motors B.V.**
 Motor type **DM1- 132 MY4**
 Rated power **11** kW **S1** duty
 Speed **1435** r.p.m
 Voltage **400** / **690** V
 Frequency **50** Hz
 Connection **Δ** / **Y**
 Amps full load **22,10** / **12,76** A
 Amps no-load(400V) **10,20** A
 Enclosure **IP 55**
 Insulation Class **F (temp. rise F)**

Max. coolant temp. **40°C**
 Max. altitude **1.000** mtr, above sea level
 Comment **3 x PTC 150°C**
 Cable entries **2 x M32x1,5 + 1 x M20x1,5 (ptc)**

Feature **Cast-iron motor**
 Weight **85,0** kg
 Catalog no.
 Warranty **12~18 months**

Efficiency class **N/A**
 Load data 100% 75% 50% 25%
 Efficiency **85,7 86,4 85,6 79,5** %
 Power factor **0,84 0,78 0,68 0,47**

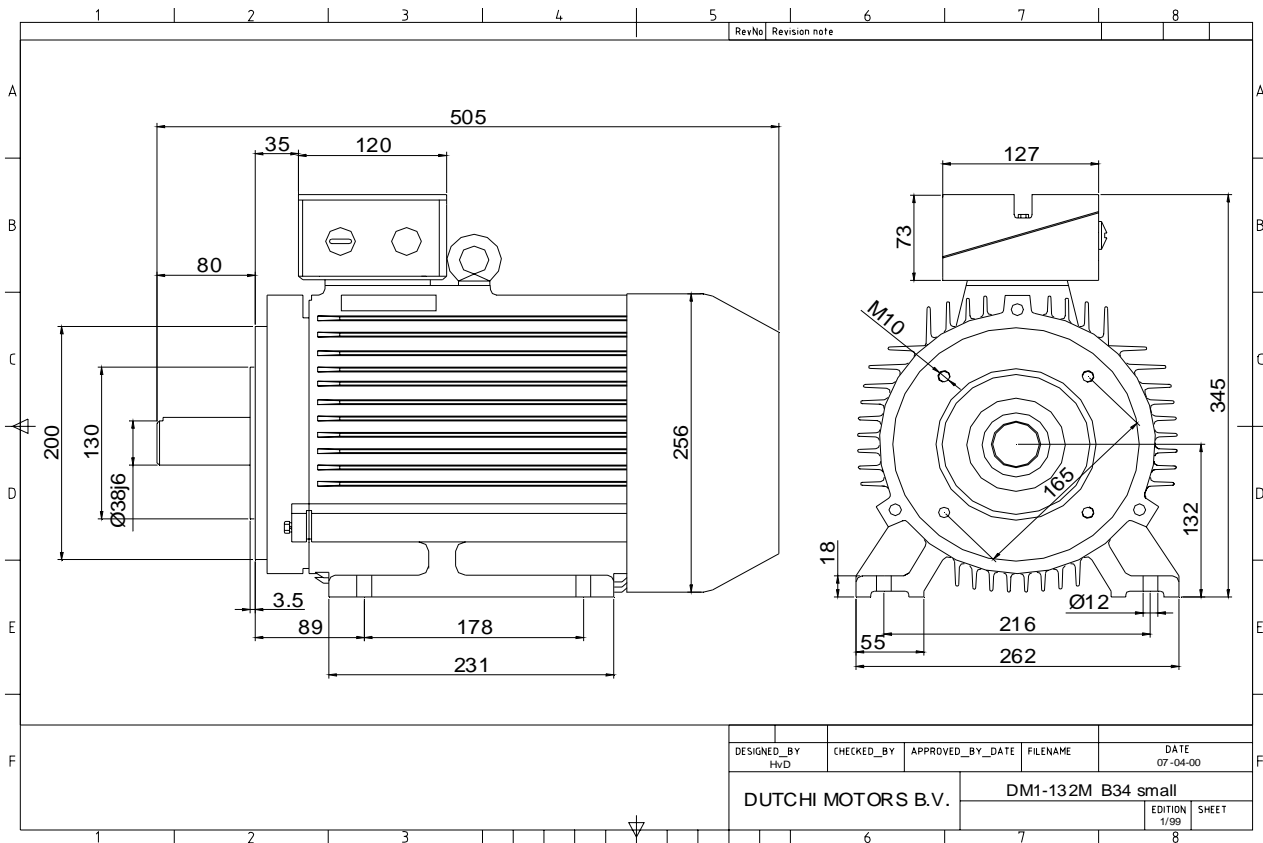
Sound pressure level (1m) **60,9** dB(A)
 Resistance R20 (open) **1,15** Ω
 Resistance R20 **Δ 0,77** Ω

Full load torque **73,21** Nm
 DOL Starting torque vs FL torque **2,57**
 DOL Pull up torque vs FL torque **1,79**
 DOL Pull out torque vs FL torque **3,21**
 Star-Delta Starting torque vs FL torque **0,80**
 Star-Delta Pull up torque vs FL torque **0,56**
 Star-Delta Pull out torque vs FL torque **1,00**
 DOL Starting current vs FL current **7,33**
 Star Delta Starting current vs FL current **2,29**
 Rotor Inertia **0,0299** kgm²

Bearing DE **6308 - ZZ C3**
 Bearing NDE **6308 - ZZ C3**

WI	Change	date	sign.
Dutchi Motors B.V. P.O. Box 5390 NL-6802 EJ ARNHEM Tel : +31-(0)26 - 3541 600 Fax : +31-(0)26 - 3541 650		Description Drawing made by : 19-04-04	date 19-04-04 sign. HvD
		dutchi.motors@dutchi.nl www.dutchi.com	

Power is our commodity, the world is our market !



Specification **IEC 60034-1**
 Manufacturer **Dutchi Motors B.V.**
 Motor type **DM1- 132 MY4**
 Rated power **11** kW **S1** duty
 Speed **1435** r.p.m
 Voltage **400** / **690** V
 Frequency **50** Hz
 Connection **Δ** / **Y**
 Amps full load **22,10** / **12,76** A
 Amps no-load(400V) **10,20** A
 Enclosure **IP 55**
 Insulation Class **F (temp. rise F)**

Max. coolant temp. **40°C**
 Max. altitude **1.000** mtr, above sea level
 Comment **3 x PTC 150°C**
 Cable entries **2 x M32x1,5 + 1 x M20x1,5 (ptc)**

Feature **Cast-iron motor**
 Weight **85,0** kg
 Catalog no.
 Warranty **12-18 months**

Efficiency class **N/A**
 Load data 100% 75% 50% 25%
 Efficiency **85,7 86,4 85,6 79,5** %
 Power factor **0,84 0,78 0,68 0,47**

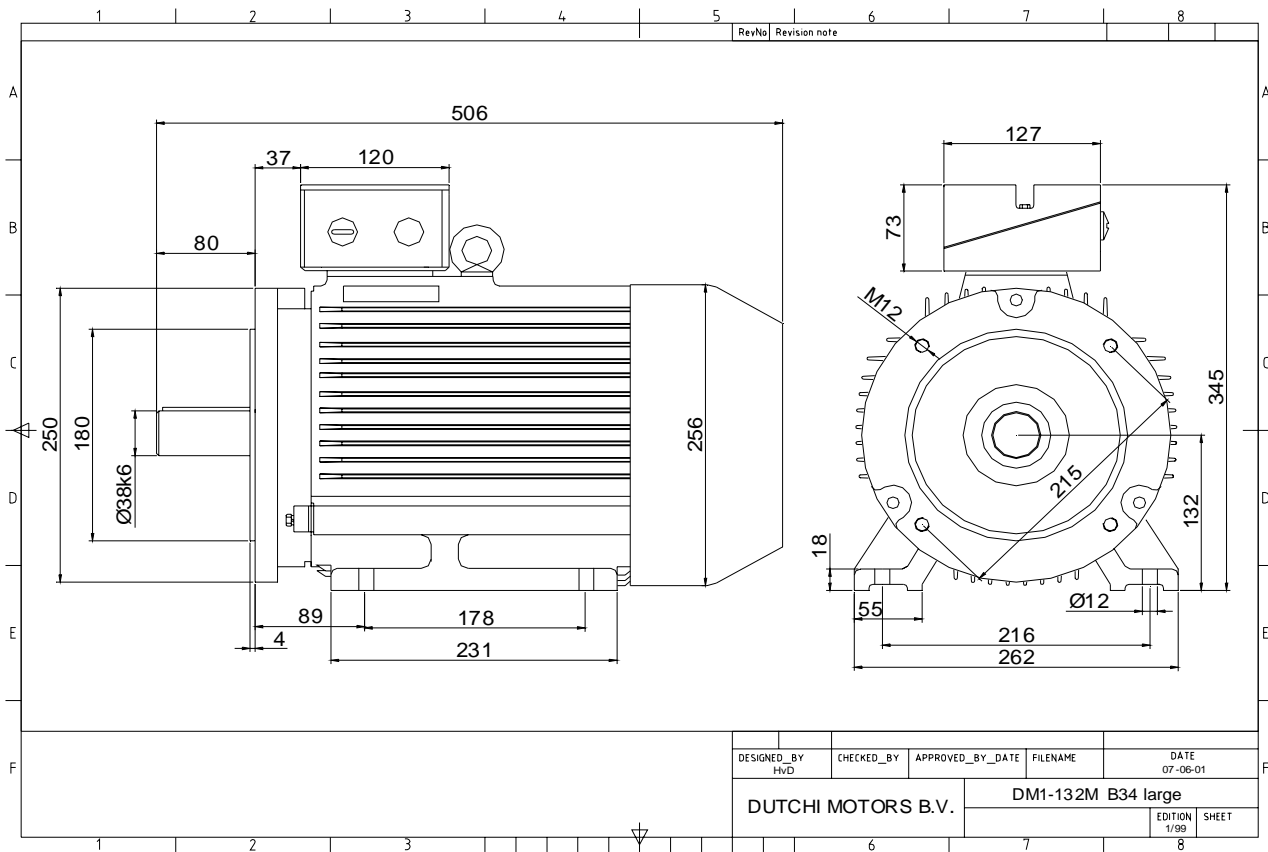
Sound pressure level (1m) **60,9** dB(A)
 Resistance R20 (open) **1,15** Ω
 Resistance R20 **Δ 0,77** Ω

Full load torque **73,21** Nm
 DOL Starting torque vs FL torque **2,57**
 DOL Pull up torque vs FL torque **1,79**
 DOL Pull out torque vs FL torque **3,21**
 Star-Delta Starting torque vs FL torque **0,80**
 Star-Delta Pull up torque vs FL torque **0,56**
 Star-Delta Pull out torque vs FL torque **1,00**
 DOL Starting current vs FL current **7,33**
 Star Delta Starting current vs FL current **2,29**
 Rotor Inertia **0,0299** kgm2

Bearing DE **6308 - ZZ C3**
 Bearing NDE **6308 - ZZ C3**

WI	Change	date	sign.
Dutchi Motors B.V.		Description	sign.
P.O. Box 5390		date	HvD
NL-6802 EJ ARNHEM		Drawing made by :	19-04-04
Tel : +31-(0)26 - 3541 600		dutchi.motors@dutchi.nl	
Fax : +31-(0)26 - 3541 650		www.dutchi.com	

Power is our commodity, the world is our market !



Specification **IEC 60034-1**
 Manufacturer **Dutchi Motors B.V.**
 Motor type **DM1- 132 MY4**
 Rated power **11** kW **S1** duty
 Speed **1435** r.p.m
 Voltage **400 / 690** V
 Frequency **50** Hz
 Connection **Δ / Y**
 Amps full load **22,10 / 12,76** A
 Amps no-load(400V) **10,20** A
 Enclosure **IP 55**
 Insulation Class **F (temp. rise F)**

Max. coolant temp. **40°C**
 Max. altitude **1.000** mtr, above sea level
 Comment **3 x PTC 150°C**
 Cable entries **2 x M32x1,5 + 1 x M20x1,5 (ptc)**

Feature **Cast-iron motor**
 Weight **85,0** kg
 Catalog no.
 Warranty **12~18 months**

Efficiency class **N/A**
 Load data 100% 75% 50% 25%
 Efficiency **85,7 86,4 85,6 79,5** %
 Power factor **0,84 0,78 0,68 0,47**

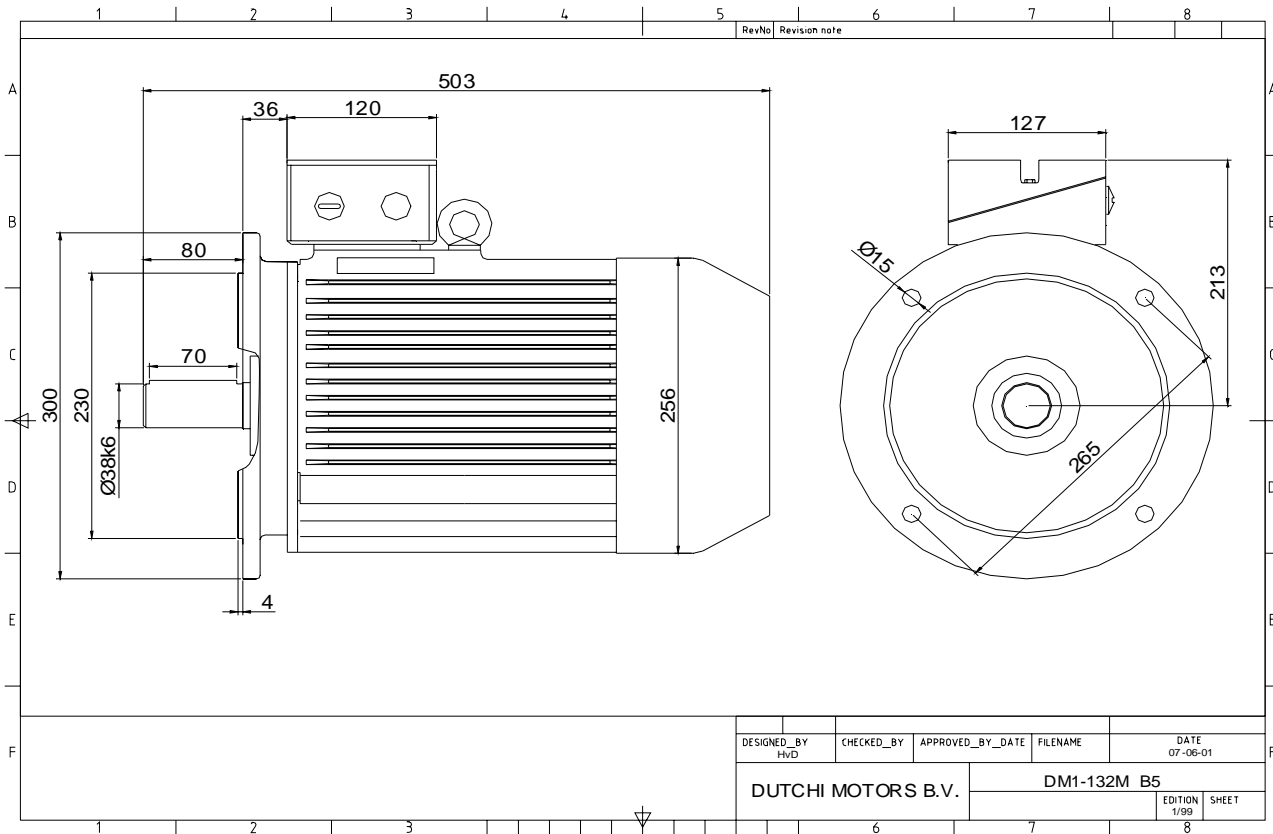
Sound pressure level (1m) **60,9** dB(A)
 Resistance R20 (open) **1,15** Ω
 Resistance R20 **Δ 0,77** Ω

Full load torque **73,21** Nm
 DOL Starting torque vs FL torque **2,57**
 DOL Pull up torque vs FL torque **1,79**
 DOL Pull out torque vs FL torque **3,21**
 Star-Delta Starting torque vs FL torque **0,80**
 Star-Delta Pull up torque vs FL torque **0,56**
 Star-Delta Pull out torque vs FL torque **1,00**
 DOL Starting current vs FL current **7,33**
 Star Delta Starting current vs FL current **2,29**
 Rotor Inertia **0,0299** kgm2

Bearing DE **6308 - ZZ C3**
 Bearing NDE **6308 - ZZ C3**

WI	Change	date	sign.
Dutchi Motors B.V.		Description	date
P.O. Box 5390		Drawing made by :	19-04-04
NL-6802 EJ ARNHEM			
Tel : +31-(0)26 - 3541 600		dutchi.motors@dutchi.nl	
Fax : +31-(0)26 - 3541 650		www.dutchi.com	

Power is our commodity, the world is our market !

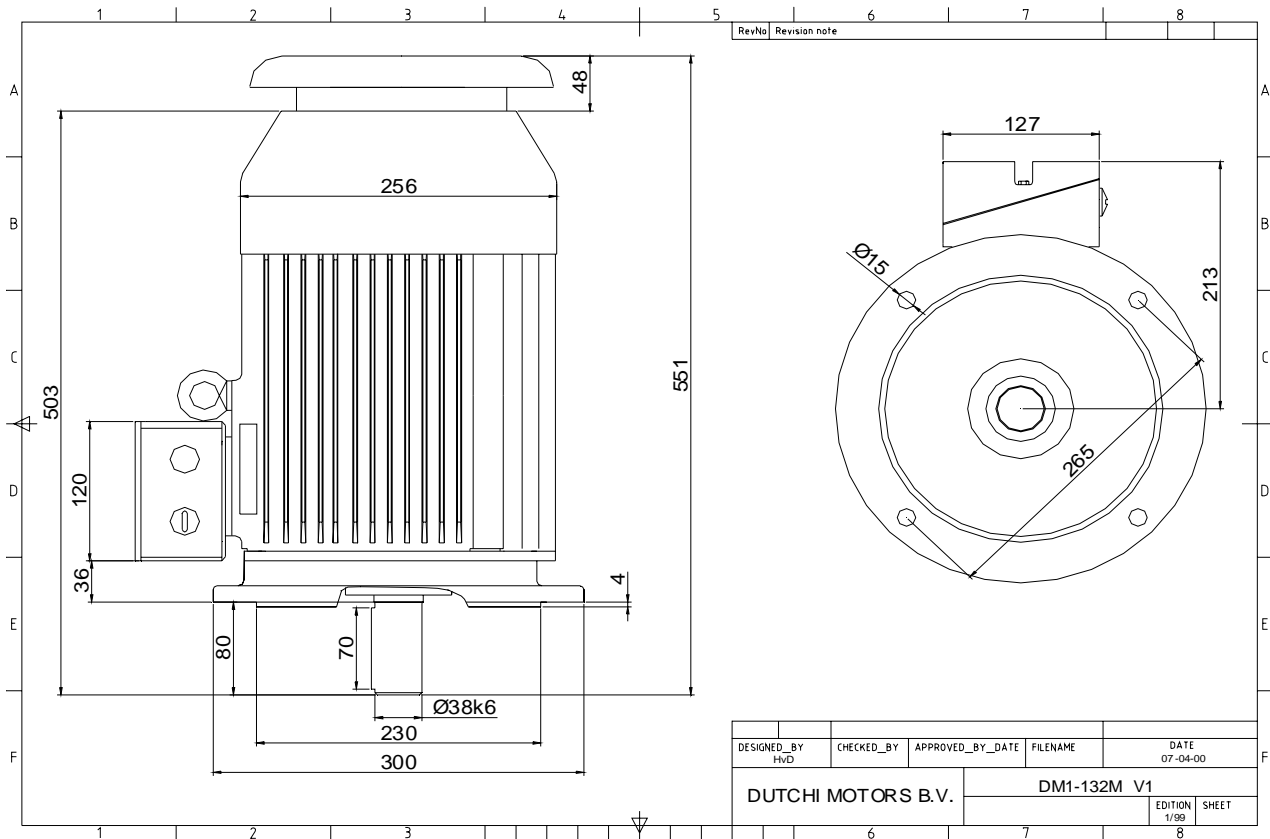


Specification	IEC 60034-1
Manufacturer	Dutchi Motors B.V.
Motor type	DM1- 132 MY4
Rated power	11 kW S1 duty
Speed	1435 r.p.m
Voltage	400 / 690 V
Frequency	50 Hz
Connection	Δ / Y
Amps full load	22,10 / 12,76 A
Amps no-load(400V)	10,20 A
Enclosure	IP 55
Insulation Class	F (temp. rise F)
Max. coolant temp.	40°C
Max. altitude	1.000 mtr, above sea level
Comment	3 x PTC 150°C
Cable entries	2 x M32x1,5 + 1 x M20x1,5 (ptc)
Feature	Cast-iron motor
Weight	85,0 kg
Catalog no.	
Warranty	12~18 months

Efficiency class	N/A			
Load data	100%	75%	50%	25%
Efficiency	85,7	86,4	85,6	79,5 %
Power factor	0,84	0,78	0,68	0,47
Sound pressure level (1m)				60,9 dB(A)
Resistance R20 (open)				1,15 Ω
Resistance R20	Δ			0,77 Ω
Full load torque				73,21 Nm
DOL Starting torque vs FL torque				2,57
DOL Pull up torque vs FL torque				1,79
DOL Pull out torque vs FL torque				3,21
Star-Delta Starting torque vs FL torque				0,80
Star-Delta Pull up torque vs FL torque				0,56
Star-Delta Pull out torque vs FL torque				1,00
DOL Starting current vs FL current				7,33
Star Delta Starting current vs FL current				2,29
Rotor Inertia				0,0299 kgm ²
Bearing DE				6308 - ZZ C3
Bearing NDE				6308 - ZZ C3

WI	Change	date	sign.
Dutchi Motors B.V. P.O. Box 5390 NL-6802 EJ ARNHEM Tel : +31-(0)26 - 3541 600 Fax : +31-(0)26 - 3541 650		Description	date
		Drawing made by :	19-04-04
		dutchi.motors@dutchi.nl www.dutchi.com	

Power is our commodity, the world is our market !



Specification **IEC 60034-1**
 Manufacturer **Dutchi Motors B.V.**
 Motor type **DM1- 132 MY4**
 Rated power **11** kW **S1** duty
 Speed **1435** r.p.m
 Voltage **400** / **690** V
 Frequency **50** Hz
 Connection **Δ** / **Y**
 Amps full load **22,10** / **12,76** A
 Amps no-load(400V) **10,20** A
 Enclosure **IP 55**
 Insulation Class **F (temp. rise F)**

Max. coolant temp. **40°C**
 Max. altitude **1.000** mtr, above sea level
 Comment **3 x PTC 150°C**
 Cable entries **2 x M32x1,5 + 1 x M20x1,5 (ptc)**

Feature **Cast-iron motor**
 Weight **85,0** kg
 Catalog no.
 Warranty **12~18 months**

Efficiency class **N/A**
 Load data 100% 75% 50% 25%
 Efficiency **85,7 86,4 85,6 79,5** %
 Power factor **0,84 0,78 0,68 0,47**

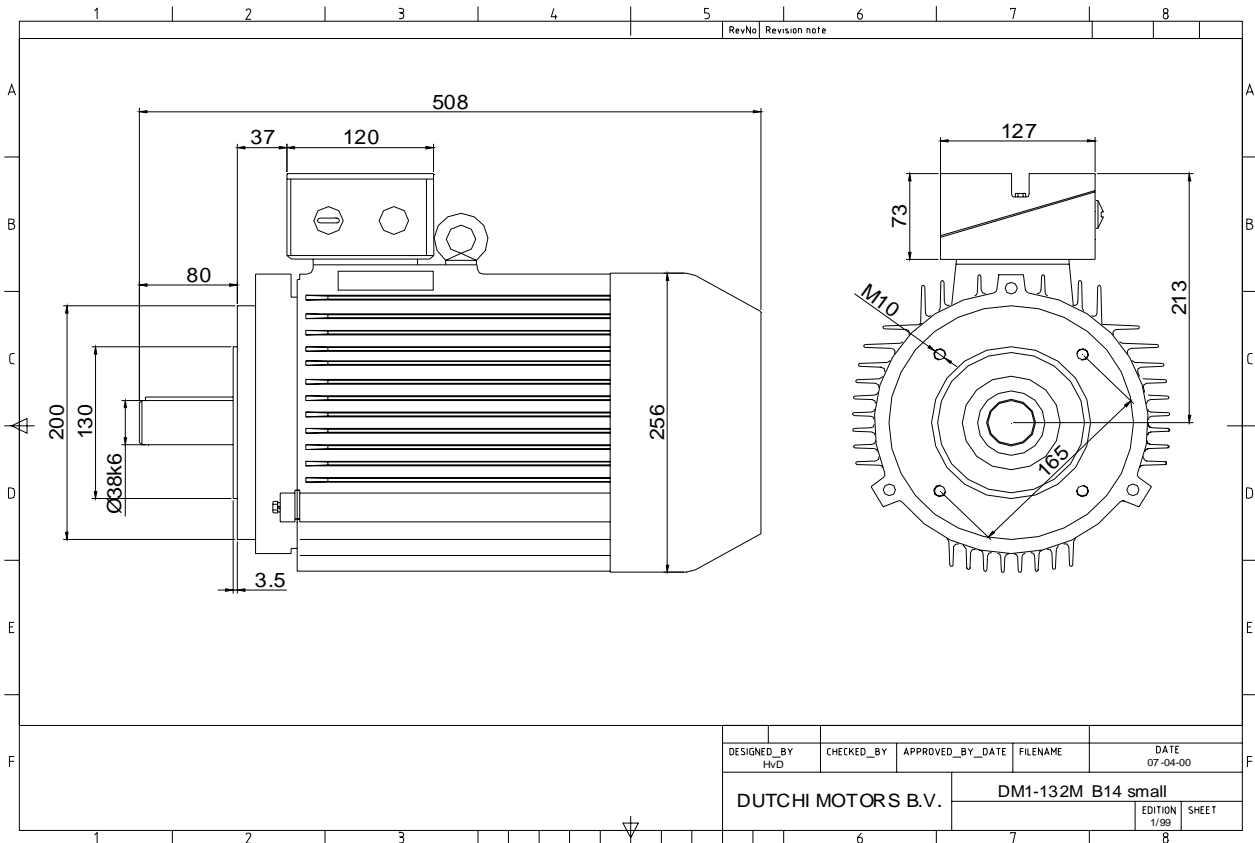
Sound pressure level (1m) **60,9** dB(A)
 Resistance R20 (open) **1,15** Ω
 Resistance R20 **Δ 0,77** Ω

Full load torque **73,21** Nm
 DOL Starting torque vs FL torque **2,57**
 DOL Pull up torque vs FL torque **1,79**
 DOL Pull out torque vs FL torque **3,21**
 Star-Delta Starting torque vs FL torque **0,80**
 Star-Delta Pull up torque vs FL torque **0,56**
 Star-Delta Pull out torque vs FL torque **1,00**
 DOL Starting current vs FL current **7,33**
 Star Delta Starting current vs FL current **2,29**
 Rotor Inertia **0,0299** kgm²

Bearing DE **6308 - ZZ C3**
 Bearing NDE **6308 - ZZ C3**

WI	Change	date	sign.
Dutchi Motors B.V. P.O. Box 5390 NL-6802 EJ ARNHEM Tel : +31-(0)26 - 3541 600 Fax : +31-(0)26 - 3541 650		Discription Drawing made by :	date 19-04-04 sign. HvD
dutchi.motors@dutchi.nl www.dutchi.com			

Power is our commodity, the world is our market !



Specification **IEC 60034-1**
 Manufacturer **Dutchi Motors B.V.**
 Motor type **DM1- 132 MY4**
 Rated power **11** kW **S1** duty
 Speed **1435** r.p.m
 Voltage **400** / **690** V
 Frequency **50** Hz
 Connection **Δ** / **Y**
 Amps full load **22,10** / **12,76** A
 Amps no-load(400V) **10,20** A
 Enclosure **IP 55**
 Insulation Class **F (temp. rise F)**

Max. coolant temp. **40°C**
 Max. altitude **1.000** mtr, above sea level
 Comment **3 x PTC 150°C**
 Cable entries **2 x M32x1,5 + 1 x M20x1,5 (ptc)**

Feature **Cast-iron motor**
 Weight **85,0** kg
 Catalog no.
 Warranty **12~18 months**

Efficiency class **N/A**
 Load data 100% 75% 50% 25%
 Efficiency **85,7 86,4 85,6 79,5** %
 Power factor **0,84 0,78 0,68 0,47**

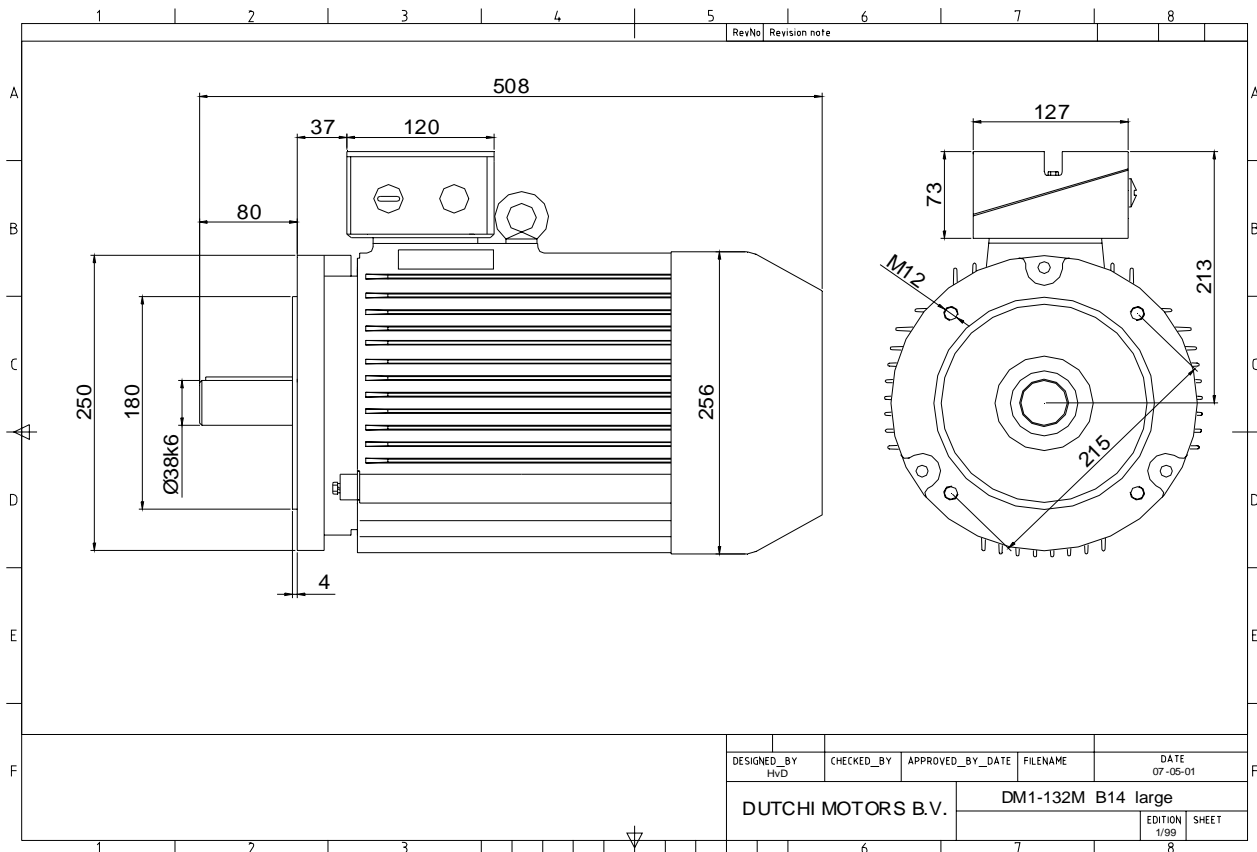
Sound pressure level (1m) **60,9** dB(A)
 Resistance R20 (open) **1,15** Ω
 Resistance R20 **Δ 0,77** Ω

Full load torque **73,21** Nm
 DOL Starting torque vs FL torque **2,57**
 DOL Pull up torque vs FL torque **1,79**
 DOL Pull out torque vs FL torque **3,21**
 Star-Delta Starting torque vs FL torque **0,80**
 Star-Delta Pull up torque vs FL torque **0,56**
 Star-Delta Pull out torque vs FL torque **1,00**
 DOL Starting current vs FL current **7,33**
 Star Delta Starting current vs FL current **2,29**
 Rotor Inertia **0,0299** kgm²

Bearing DE **6308 - ZZ C3**
 Bearing NDE **6308 - ZZ C3**

WI	Change	date	sign.
Dutchi Motors B.V. P.O. Box 5390 NL-6802 EJ ARNHEM Tel : +31-(0)26 - 3541 600 Fax : +31-(0)26 - 3541 650		Description	date
		Drawing made by :	19-04-04
		dutchi.motors@dutchi.nl www.dutchi.com	

Power is our commodity, the world is our market !



DESIGNED_BY HvD	CHECKED_BY	APPROVED_BY_DATE	FILENAME	DATE 07-05-01
DUTCHI MOTORS B.V.			DM1-132M B14 large	EDITION 1/99
				SHEET

Specification	IEC 60034-1
Manufacturer	Dutchi Motors B.V.
Motor type	DM1- 132 MY4
Rated power	11 kW S1 duty
Speed	1435 r.p.m
Voltage	400 / 690 V
Frequency	50 Hz
Connection	Δ / Y
Amps full load	22,10 / 12,76 A
Amps no-load(400V)	10,20 A
Enclosure	IP 55
Insulation Class	F (temp. rise F)
Max. coolant temp.	40°C
Max. altitude	1.000 mtr, above sea level
Comment	3 x PTC 150°C
Cable entries	2 x M32x1,5 + 1 x M20x1,5 (ptc)
Feature	Cast-iron motor
Weight	85,0 kg
Catalog no.	
Warranty	12~18 months

Efficiency class	N/A			
Load data	100%	75%	50%	25%
Efficiency	85,7	86,4	85,6	79,5 %
Power factor	0,84	0,78	0,68	0,47
Sound pressure level (1m)				60,9 dB(A)
Resistance R20 (open)				1,15 Ω
Resistance R20	Δ			0,77 Ω
Full load torque				73,21 Nm
DOL Starting torque vs FL torque				2,57
DOL Pull up torque vs FL torque				1,79
DOL Pull out torque vs FL torque				3,21
Star-Delta Starting torque vs FL torque				0,80
Star-Delta Pull up torque vs FL torque				0,56
Star-Delta Pull out torque vs FL torque				1,00
DOL Starting current vs FL current				7,33
Star Delta Starting current vs FL current				2,29
Rotor Inertia				0,0299 kgm ²
Bearing DE				6308 - ZZ C3
Bearing NDE				6308 - ZZ C3

WI	Change	date	sign.
Dutchi Motors B.V. P.O. Box 5390 NL-6802 EJ ARNHEM Tel : +31-(0)26 - 3541 600 Fax : +31-(0)26 - 3541 650		Discription Drawing made by :	date 19-04-04 sign. HvD
		dutchi.motors@dutchi.nl www.dutchi.com	