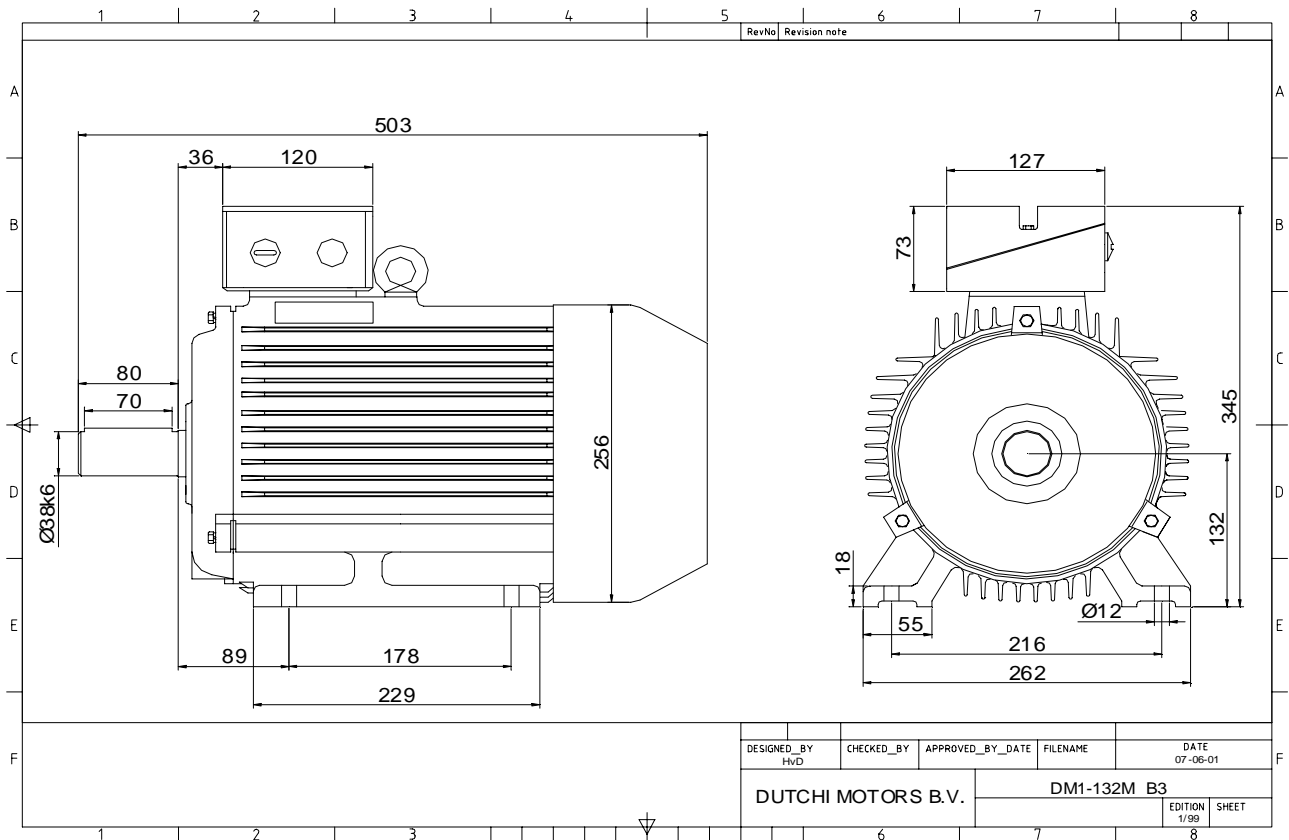


Power is our commodity, the world is our market !

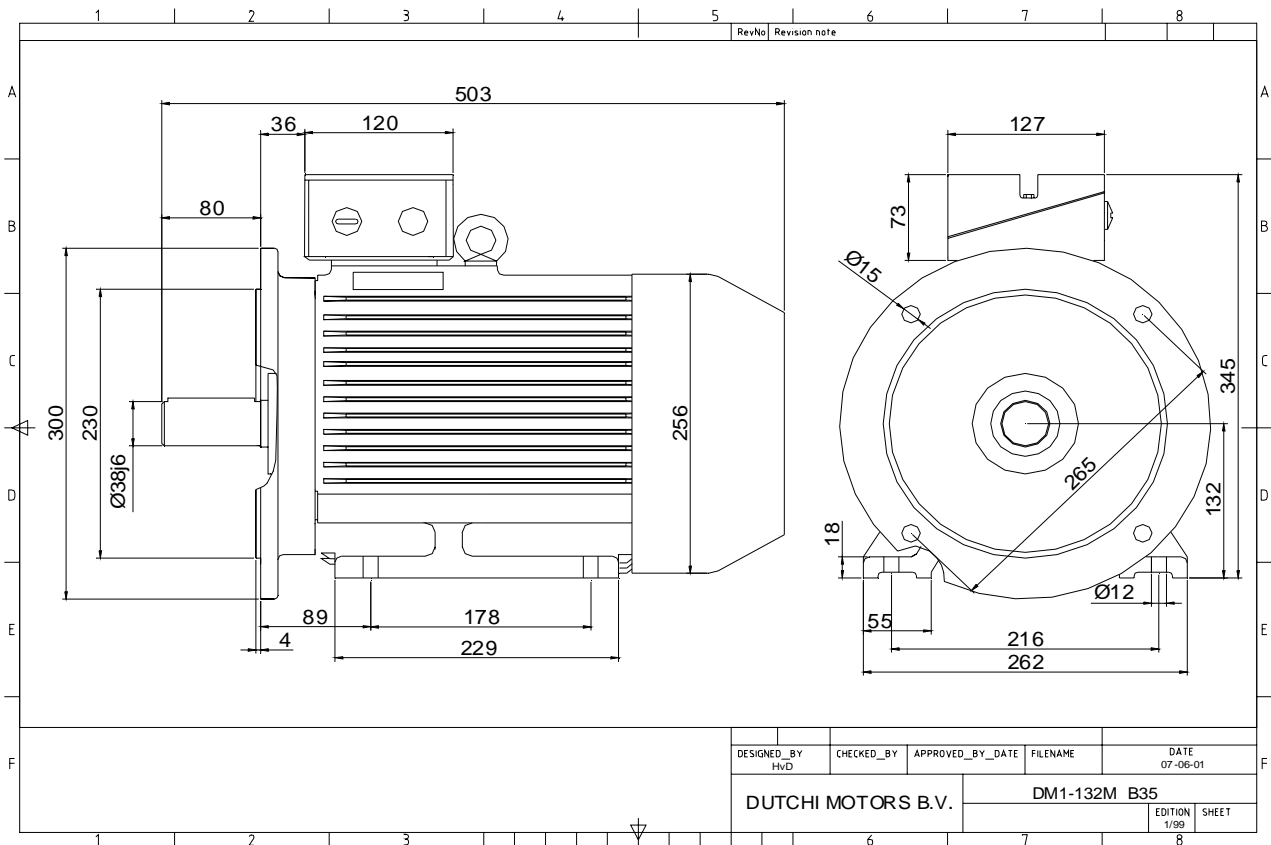


Specification	<b>IEC 60034-1</b>
Manufacturer	<b>Dutchi Motors B.V.</b>
Motor type	<b>DM1- 132 MX4</b>
Rated power	<b>9</b> kW <b>S1</b> duty
Speed	<b>1435</b> r.p.m
Voltage	<b>400</b> / <b>690</b> V
Frequency	<b>50</b> Hz
Connection	<b>Δ</b> / <b>Y</b>
Amps full load	<b>17,87</b> / <b>10,32</b> A
Amps no-load(400V)	<b>8,25</b> A
Enclosure	<b>IP 55</b>
Insulation Class	<b>F (temp. rise B (80 K))</b>
Max. coolant temp.	<b>40°C</b>
Max. altitude	<b>1.000</b> mtr, above sea level
Comment	<b>3 x PTC 150°C</b>
Cable entries	<b>2 x M32x1,5 + 1 x M20x1,5 (ptc)</b>
Feature	<b>Cast-iron motor</b>
Weight	<b>85,0</b> kg
Catalog no.	
Warranty	<b>12~18 months</b>

Efficiency class	<b>N/A</b>			
Load data	100%	75%	50%	25%
Efficiency	<b>86,8</b>	<b>87,5</b>	<b>86,3</b>	<b>79,8</b> %
Power factor	<b>0,84</b>	<b>0,79</b>	<b>0,68</b>	<b>0,45</b>
Sound pressure level (1m)				<b>58,1</b> dB(A)
Resistance R20 (open)				<b>1,41</b> Ω
Resistance R20	<b>Δ</b>			<b>0,94</b> Ω
Full load torque				<b>59,90</b> Nm
DOL Starting torque vs FL torque				<b>2,56</b>
DOL Pull up torque vs FL torque				<b>1,83</b>
DOL Pull out torque vs FL torque				<b>3,43</b>
Star-Delta Starting torque vs FL torque				<b>0,80</b>
Star-Delta Pull up torque vs FL torque				<b>0,57</b>
Star-Delta Pull out torque vs FL torque				<b>1,07</b>
DOL Starting current vs FL current				<b>7,95</b>
Star Delta Starting current vs FL current				<b>2,48</b>
Rotor Inertia				<b>0,0299</b> kgm <sup>2</sup>
Bearing DE				<b>6308 - ZZ C3</b>
Bearing NDE				<b>6308 - ZZ C3</b>


WI	Change	date	sign.
<b>Dutchi Motors B.V.</b> P.O. Box 5390 NL-6802 EJ ARNHEM Tel : +31-(0)26 - 3541 600 Fax : +31-(0)26 - 3541 650		Discription Drawing made by :	date sign. HvD
dutchi.motors@dutchi.nl www.dutchi.com		19-04-04	

Power is our commodity, the world is our market !



Specification **IEC 60034-1**  
 Manufacturer **Dutchi Motors B.V.**  
 Motor type **DM1- 132 MX4**  
 Rated power **9** kW **S1** duty  
 Speed **1435** r.p.m  
 Voltage **400** / **690** V  
 Frequency **50** Hz  
 Connection **Δ** / **Y**  
 Amps full load **17,87** / **10,32** A  
 Amps no-load(400V) **8,25** A  
 Enclosure **IP 55**  
 Insulation Class **F (temp. rise B (80 K))**

Max. coolant temp. **40°C**  
 Max. altitude **1.000** mtr, above sea level  
 Comment **3 x PTC 150°C**  
 Cable entries **2 x M32x1,5 + 1 x M20x1,5 (ptc)**

Feature **Cast-iron motor**  
 Weight **85,0** kg  
 Catalog no.  
 Warranty **12~18 months**

Efficiency class **N/A**  
 Load data 100% 75% 50% 25%  
 Efficiency **86,8 87,5 86,3 79,8** %  
 Power factor **0,84 0,79 0,68 0,45**

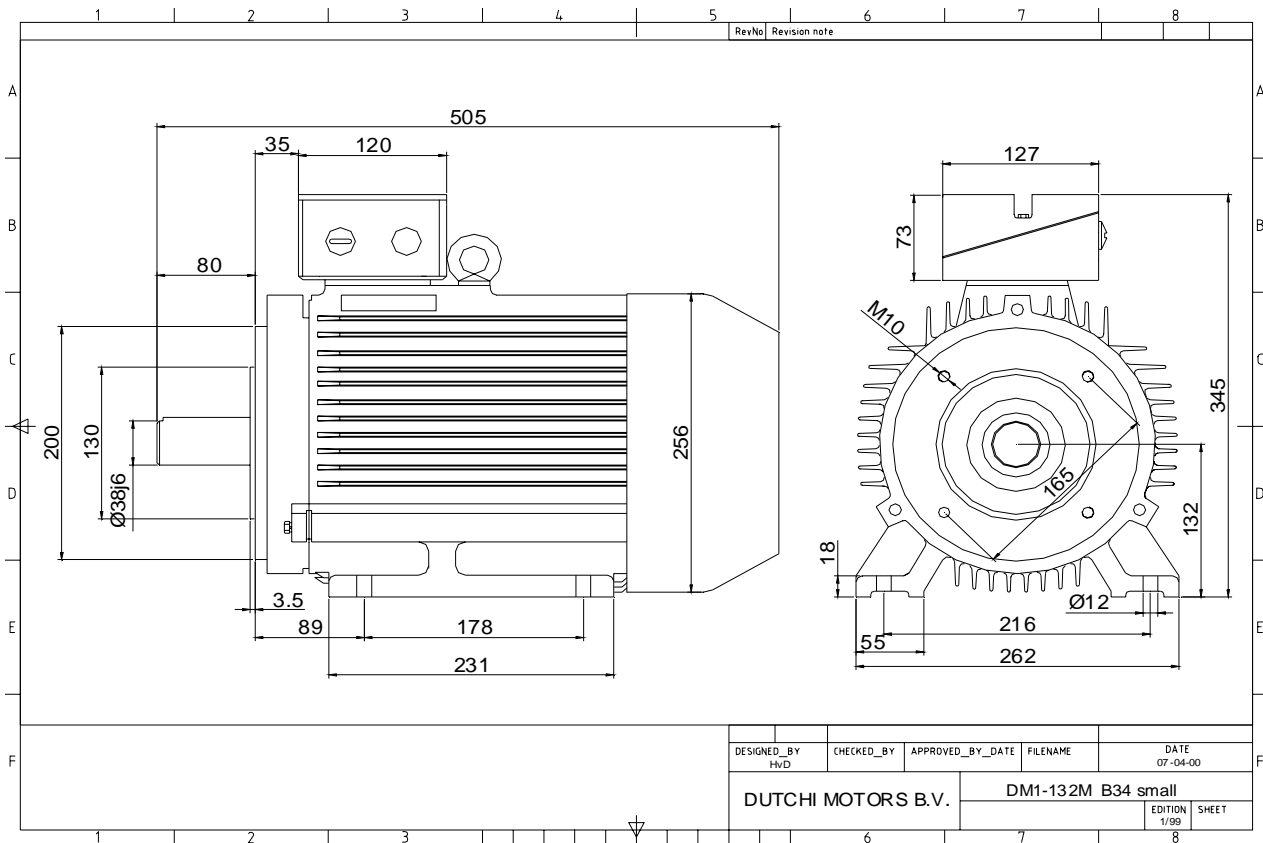
Sound pressure level (1m) **58,1** dB(A)  
 Resistance R20 (open) **1,41** Ω  
 Resistance R20 **Δ 0,94** Ω

Full load torque **59,90** Nm  
 DOL Starting torque vs FL torque **2,56**  
 DOL Pull up torque vs FL torque **1,83**  
 DOL Pull out torque vs FL torque **3,43**  
 Star-Delta Starting torque vs FL torque **0,80**  
 Star-Delta Pull up torque vs FL torque **0,57**  
 Star-Delta Pull out torque vs FL torque **1,07**  
 DOL Starting current vs FL current **7,95**  
 Star Delta Starting current vs FL current **2,48**  
 Rotor Inertia **0,0299** kgm<sup>2</sup>

Bearing DE **6308 - ZZ C3**  
 Bearing NDE **6308 - ZZ C3**


WI	Change	date	sign.
Dutchi Motors B.V.		Description	sign.
P.O. Box 5390		date	HvD
NL-6802 EJ ARNHEM		Drawing made by :	19-04-04
Tel : +31-(0)26 - 3541 600		dutchi.motors@dutchi.nl	
Fax : +31-(0)26 - 3541 650		www.dutchi.com	

Power is our commodity, the world is our market !



Specification **IEC 60034-1**  
 Manufacturer **Dutchi Motors B.V.**  
 Motor type **DM1- 132 MX4**  
 Rated power **9** kW **S1** duty  
 Speed **1435** r.p.m  
 Voltage **400** / **690** V  
 Frequency **50** Hz  
 Connection **Δ** / **Y**  
 Amps full load **17,87** / **10,32** A  
 Amps no-load(400V) **8,25** A  
 Enclosure **IP 55**  
 Insulation Class **F (temp. rise B (80 K))**

Max. coolant temp. **40°C**  
 Max. altitude **1.000** mtr, above sea level  
 Comment **3 x PTC 150°C**  
 Cable entries **2 x M32x1,5 + 1 x M20x1,5 (ptc)**

Feature **Cast-iron motor**  
 Weight **85,0** kg  
 Catalog no.  
 Warranty **12-18 months**

Efficiency class **N/A**  
 Load data 100% 75% 50% 25%  
 Efficiency **86,8 87,5 86,3 79,8** %  
 Power factor **0,84 0,79 0,68 0,45**

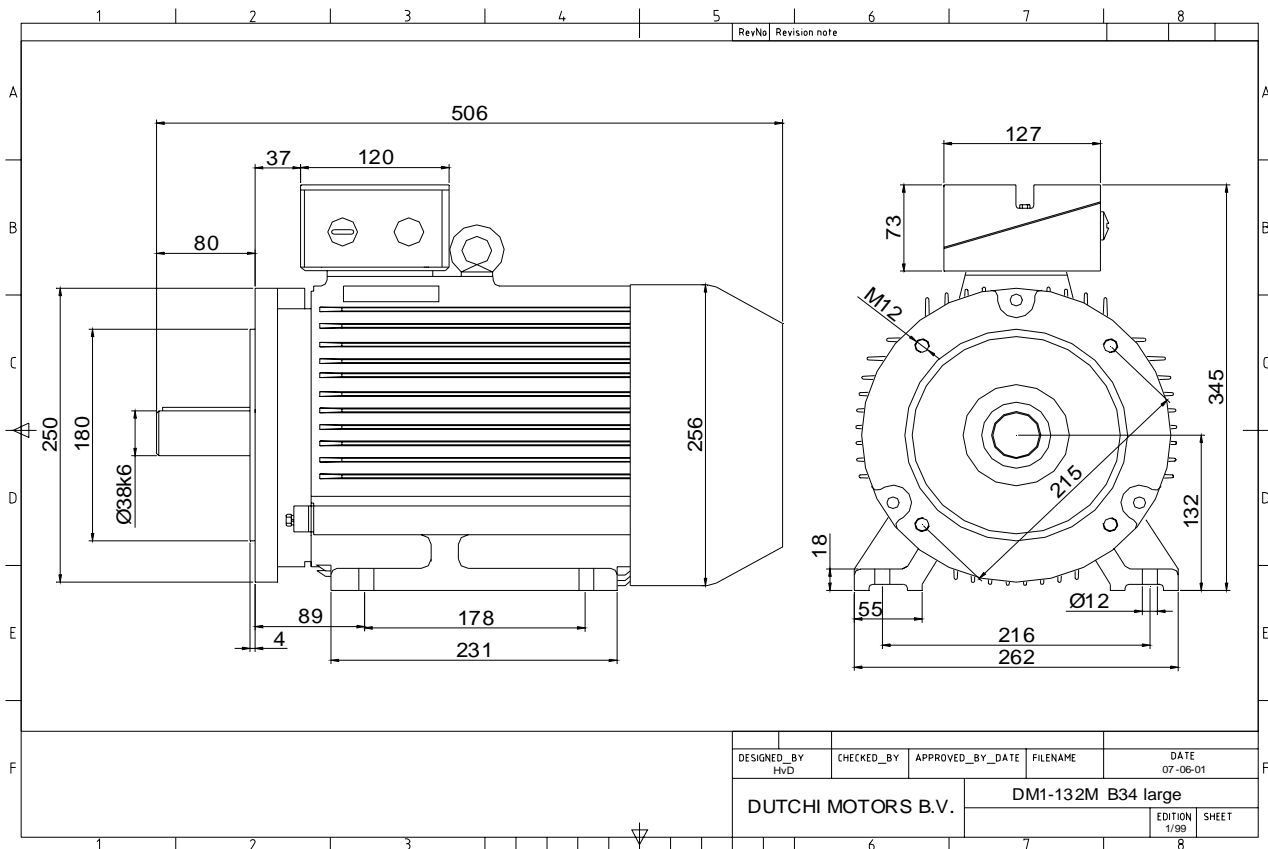
Sound pressure level (1m) **58,1** dB(A)  
 Resistance R20 (open) **1,41** Ω  
 Resistance R20 **Δ 0,94** Ω

Full load torque **59,90** Nm  
 DOL Starting torque vs FL torque **2,56**  
 DOL Pull up torque vs FL torque **1,83**  
 DOL Pull out torque vs FL torque **3,43**  
 Star-Delta Starting torque vs FL torque **0,80**  
 Star-Delta Pull up torque vs FL torque **0,57**  
 Star-Delta Pull out torque vs FL torque **1,07**  
 DOL Starting current vs FL current **7,95**  
 Star Delta Starting current vs FL current **2,48**  
 Rotor Inertia **0,0299** kgm2

Bearing DE **6308 - ZZ C3**  
 Bearing NDE **6308 - ZZ C3**


WI	Change	date	sign.
Dutchi Motors B.V.		Description	date
P.O. Box 5390		Drawing made by :	19-04-04
NL-6802 EJ ARNHEM			
Tel : +31-(0)26 - 3541 600		dutchi.motors@dutchi.nl	
Fax : +31-(0)26 - 3541 650		www.dutchi.com	

Power is our commodity, the world is our market !



Specification **IEC 60034-1**  
 Manufacturer **Dutchi Motors B.V.**  
 Motor type **DM1- 132 MX4**  
 Rated power **9** kW **S1** duty  
 Speed **1435** r.p.m  
 Voltage **400** / **690** V  
 Frequency **50** Hz  
 Connection **Δ** / **Y**  
 Amps full load **17,87** / **10,32** A  
 Amps no-load(400V) **8,25** A  
 Enclosure **IP 55**  
 Insulation Class **F (temp. rise B (80 K))**

Max. coolant temp. **40°C**  
 Max. altitude **1.000** mtr, above sea level  
 Comment **3 x PTC 150°C**  
 Cable entries **2 x M32x1,5 + 1 x M20x1,5 (ptc)**

Feature **Cast-iron motor**  
 Weight **85,0** kg  
 Catalog no.  
 Warranty **12~18 months**

Efficiency class **N/A**  
 Load data 100% 75% 50% 25%  
 Efficiency **86,8 87,5 86,3 79,8** %  
 Power factor **0,84 0,79 0,68 0,45**

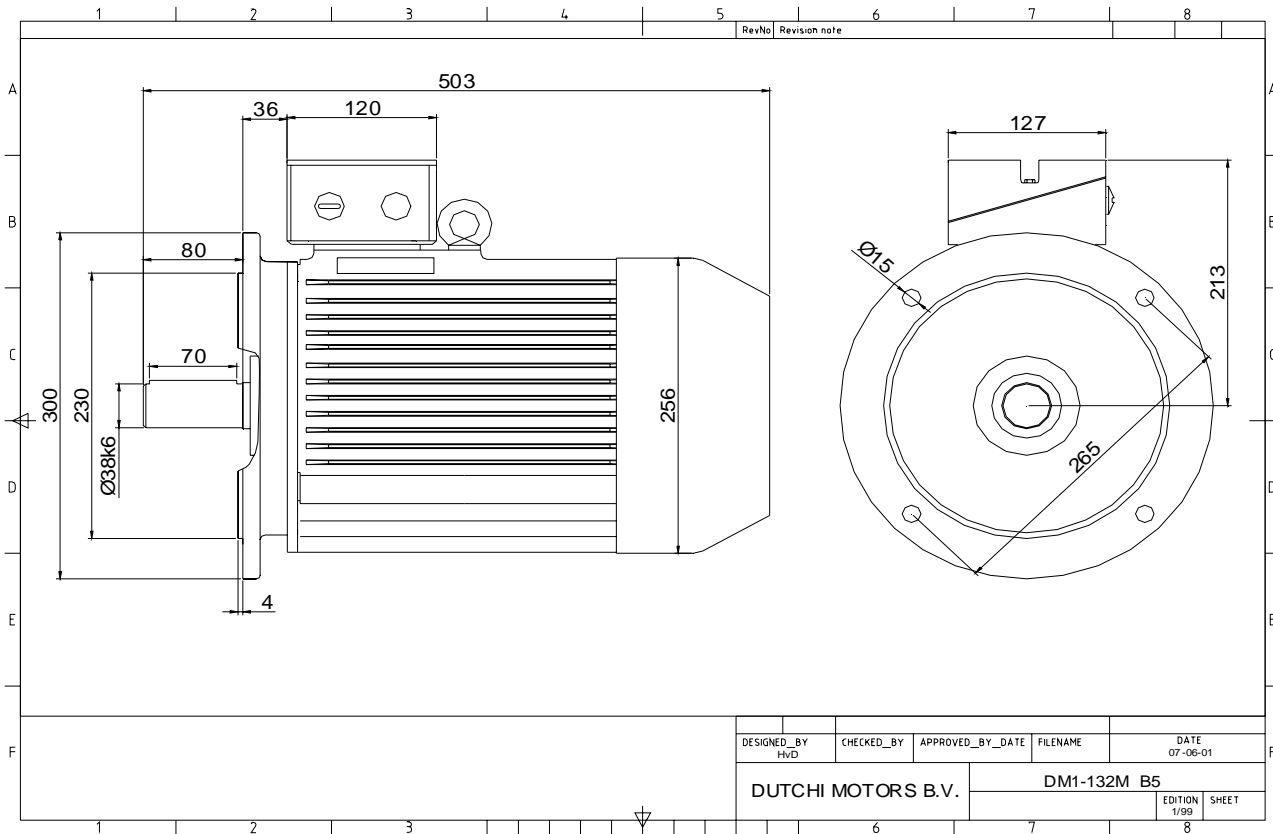
Sound pressure level (1m) **58,1** dB(A)  
 Resistance R20 (open) **1,41** Ω  
 Resistance R20 **Δ 0,94** Ω

Full load torque **59,90** Nm  
 DOL Starting torque vs FL torque **2,56**  
 DOL Pull up torque vs FL torque **1,83**  
 DOL Pull out torque vs FL torque **3,43**  
 Star-Delta Starting torque vs FL torque **0,80**  
 Star-Delta Pull up torque vs FL torque **0,57**  
 Star-Delta Pull out torque vs FL torque **1,07**  
 DOL Starting current vs FL current **7,95**  
 Star Delta Starting current vs FL current **2,48**  
 Rotor Inertia **0,0299** kgm<sup>2</sup>

Bearing DE **6308 - ZZ C3**  
 Bearing NDE **6308 - ZZ C3**


WI	Change	date	sign.
<b>Dutchi Motors B.V.</b> P.O. Box 5390 NL-6802 EJ ARNHEM Tel : +31-(0)26 - 3541 600 Fax : +31-(0)26 - 3541 650		Discription Drawing made by : 19-04-04	sign. HVD
		<b>dutchi.motors@dutchi.nl</b> <b>www.dutchi.com</b>	

Power is our commodity, the world is our market !

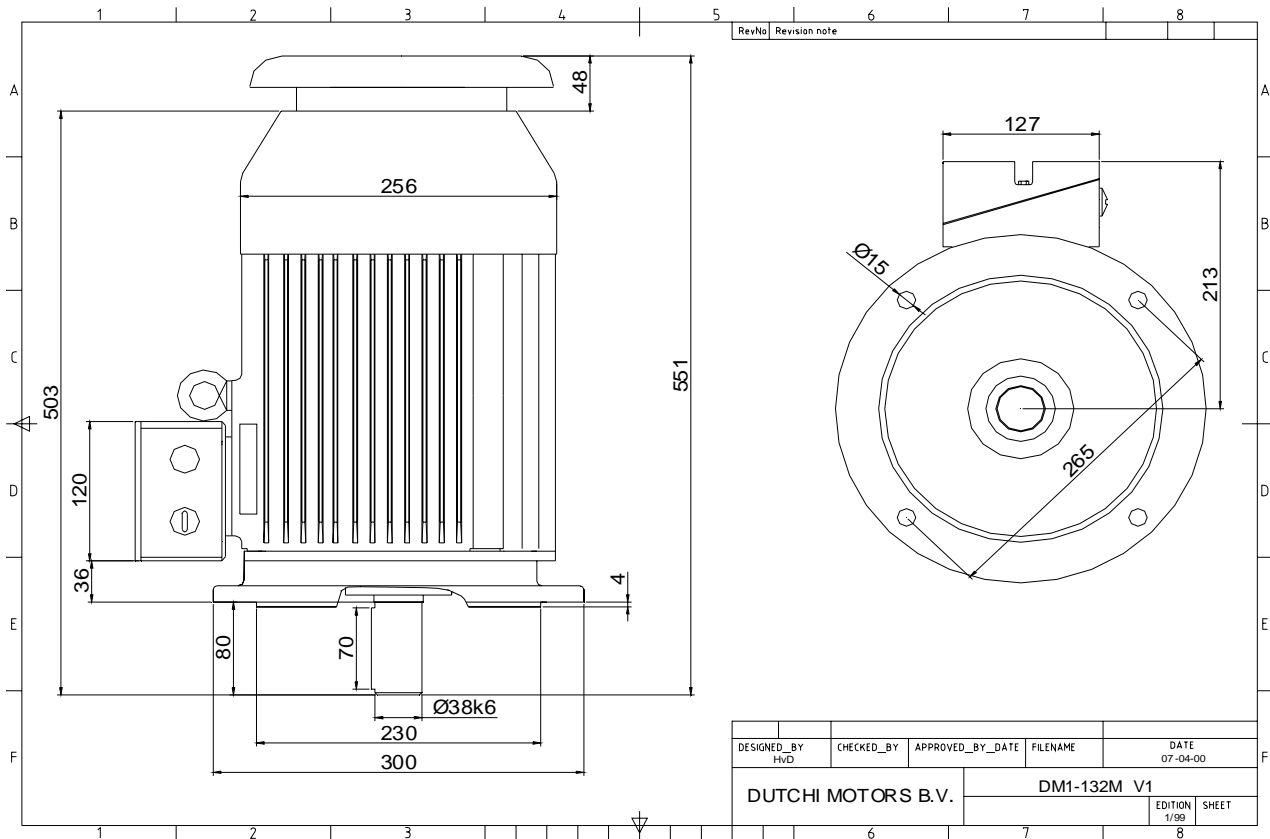


Specification	<b>IEC 60034-1</b>
Manufacturer	<b>Dutchi Motors B.V.</b>
Motor type	<b>DM1- 132 MX4</b>
Rated power	<b>9</b> kW <b>S1</b> duty
Speed	<b>1435</b> r.p.m
Voltage	<b>400</b> / <b>690</b> V
Frequency	<b>50</b> Hz
Connection	<b>Δ</b> / <b>Y</b>
Amps full load	<b>17,87</b> / <b>10,32</b> A
Amps no-load(400V)	<b>8,25</b> A
Enclosure	<b>IP 55</b>
Insulation Class	<b>F (temp. rise B (80 K))</b>
Max. coolant temp.	<b>40°C</b>
Max. altitude	<b>1.000</b> mtr, above sea level
Comment	<b>3 x PTC 150°C</b>
Cable entries	<b>2 x M32x1,5 + 1 x M20x1,5 (ptc)</b>
Feature	<b>Cast-iron motor</b>
Weight	<b>85,0</b> kg
Catalog no.	
Warranty	<b>12~18 months</b>

Efficiency class	<b>N/A</b>			
Load data	100%	75%	50%	25%
Efficiency	<b>86,8</b>	<b>87,5</b>	<b>86,3</b>	<b>79,8</b> %
Power factor	<b>0,84</b>	<b>0,79</b>	<b>0,68</b>	<b>0,45</b>
Sound pressure level (1m)				<b>58,1</b> dB(A)
Resistance R20 (open)				<b>1,41</b> Ω
Resistance R20	<b>Δ</b>			<b>0,94</b> Ω
Full load torque				<b>59,90</b> Nm
DOL Starting torque vs FL torque				<b>2,56</b>
DOL Pull up torque vs FL torque				<b>1,83</b>
DOL Pull out torque vs FL torque				<b>3,43</b>
Star-Delta Starting torque vs FL torque				<b>0,80</b>
Star-Delta Pull up torque vs FL torque				<b>0,57</b>
Star-Delta Pull out torque vs FL torque				<b>1,07</b>
DOL Starting current vs FL current				<b>7,95</b>
Star Delta Starting current vs FL current				<b>2,48</b>
Rotor Inertia				<b>0,0299</b> kgm <sup>2</sup>
Bearing DE				<b>6308 - ZZ C3</b>
Bearing NDE				<b>6308 - ZZ C3</b>


WI	Change	date	sign.
<b>Dutchi Motors B.V.</b> P.O. Box 5390 NL-6802 EJ ARNHEM Tel : +31-(0)26 - 3541 600 Fax : +31-(0)26 - 3541 650		Discription Drawing made by :	date sign. HvD
dutchi.motors@dutchi.nl www.dutchi.com		19-04-04	

Power is our commodity, the world is our market !



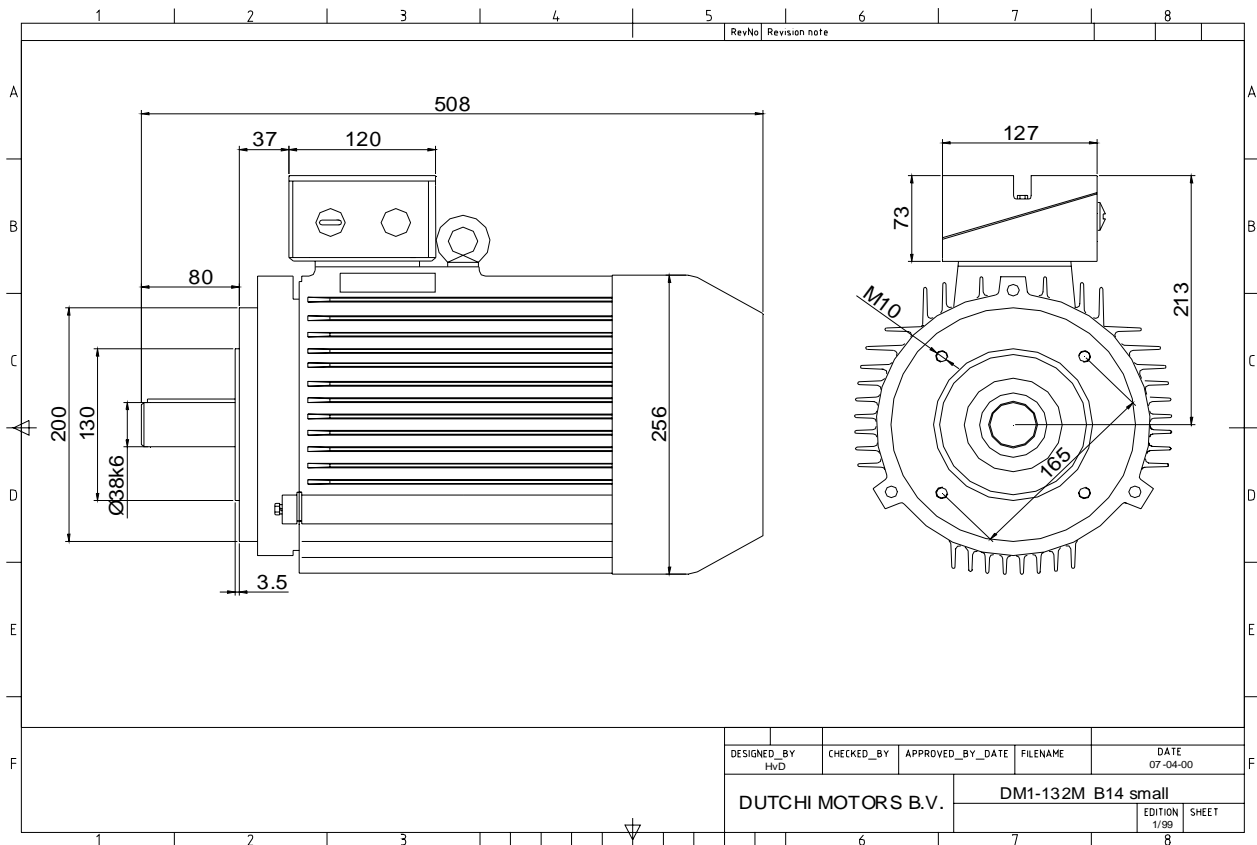
DESIGNED_BY HvD	CHECKED_BY	APPROVED_BY_DATE	FILENAME	DATE 07-04-00
DUTCHI MOTORS B.V.			DM1-132M V1	EDITION 1/99
				SHEET

Specification	<b>IEC 60034-1</b>
Manufacturer	<b>Dutchi Motors B.V.</b>
Motor type	<b>DM1- 132 MX4</b>
Rated power	<b>9</b> kW <b>S1</b> duty
Speed	<b>1435</b> r.p.m
Voltage	<b>400</b> / <b>690</b> V
Frequency	<b>50</b> Hz
Connection	<b>Δ</b> / <b>Y</b>
Amps full load	<b>17,87</b> / <b>10,32</b> A
Amps no-load(400V)	<b>8,25</b> A
Enclosure	<b>IP 55</b>
Insulation Class	<b>F (temp. rise B (80 K))</b>
Max. coolant temp.	<b>40°C</b>
Max. altitude	<b>1.000</b> mtr, above sea level
Comment	<b>3 x PTC 150°C</b>
Cable entries	<b>2 x M32x1,5 + 1 x M20x1,5 (ptc)</b>
Feature	<b>Cast-iron motor</b>
Weight	<b>85,0</b> kg
Catalog no.	
Warranty	<b>12~18 months</b>

Efficiency class	<b>N/A</b>				
Load data	<b>100%</b>	<b>75%</b>	<b>50%</b>	<b>25%</b>	
Efficiency	<b>86,8</b>	<b>87,5</b>	<b>86,3</b>	<b>79,8</b>	%
Power factor	<b>0,84</b>	<b>0,79</b>	<b>0,68</b>	<b>0,45</b>	
Sound pressure level (1m)	<b>58,1</b>				dB(A)
Resistance R20 (open)	<b>1,41</b>				Ω
Resistance R20	<b>Δ 0,94</b>				Ω
Full load torque	<b>59,90</b>				Nm
DOL Starting torque vs FL torque	<b>2,56</b>				
DOL Pull up torque vs FL torque	<b>1,83</b>				
DOL Pull out torque vs FL torque	<b>3,43</b>				
Star-Delta Starting torque vs FL torque	<b>0,80</b>				
Star-Delta Pull up torque vs FL torque	<b>0,57</b>				
Star-Delta Pull out torque vs FL torque	<b>1,07</b>				
DOL Starting current vs FL current	<b>7,95</b>				
Star Delta Starting current vs FL current	<b>2,48</b>				
Rotor Inertia	<b>0,0299</b>				kgm <sup>2</sup>
Bearing DE	<b>6308 - ZZ C3</b>				
Bearing NDE	<b>6308 - ZZ C3</b>				


WI	Change	date	sign.
<b>Dutchi Motors B.V.</b> P.O. Box 5390 NL-6802 EJ ARNHEM Tel : +31-(0)26 - 3541 600 Fax : +31-(0)26 - 3541 650		Discription Drawing made by :	date sign. HvD
		<b>dutchi.motors@dutchi.nl</b> <b>www.dutchi.com</b>	

Power is our commodity, the world is our market !



Specification **IEC 60034-1**  
 Manufacturer **Dutchi Motors B.V.**  
 Motor type **DM1- 132 MX4**  
 Rated power **9** kW **S1** duty  
 Speed **1435** r.p.m  
 Voltage **400 / 690** V  
 Frequency **50** Hz  
 Connection **Δ / Y**  
 Amps full load **17,87 / 10,32** A  
 Amps no-load(400V) **8,25** A  
 Enclosure **IP 55**  
 Insulation Class **F (temp. rise B (80 K))**

Max. coolant temp. **40°C**  
 Max. altitude **1.000** mtr, above sea level  
 Comment **3 x PTC 150°C**  
 Cable entries **2 x M32x1,5 + 1 x M20x1,5 (ptc)**

Feature **Cast-iron motor**  
 Weight **85,0** kg  
 Catalog no.  
 Warranty **12~18 months**

Efficiency class **N/A**  
 Load data 100% 75% 50% 25%  
 Efficiency **86,8 87,5 86,3 79,8** %  
 Power factor **0,84 0,79 0,68 0,45**

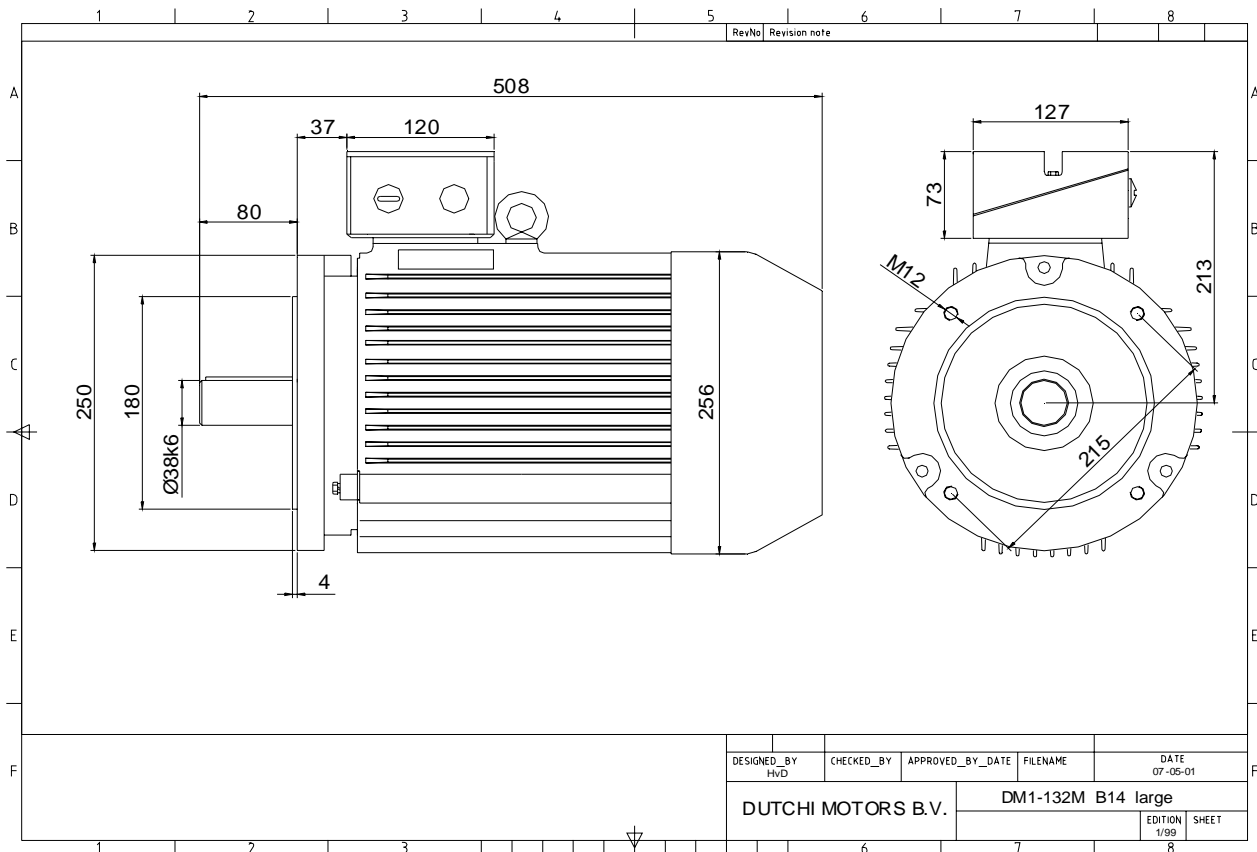
Sound pressure level (1m) **58,1** dB(A)  
 Resistance R20 (open) **1,41** Ω  
 Resistance R20 **Δ 0,94** Ω

Full load torque **59,90** Nm  
 DOL Starting torque vs FL torque **2,56**  
 DOL Pull up torque vs FL torque **1,83**  
 DOL Pull out torque vs FL torque **3,43**  
 Star-Delta Starting torque vs FL torque **0,80**  
 Star-Delta Pull up torque vs FL torque **0,57**  
 Star-Delta Pull out torque vs FL torque **1,07**  
 DOL Starting current vs FL current **7,95**  
 Star Delta Starting current vs FL current **2,48**  
 Rotor Inertia **0,0299** kgm<sup>2</sup>

Bearing DE **6308 - ZZ C3**  
 Bearing NDE **6308 - ZZ C3**


WI	Change	date	sign.
<b>Dutchi Motors B.V.</b> P.O. Box 5390 NL-6802 EJ ARNHEM Tel : +31-(0)26 - 3541 600 Fax : +31-(0)26 - 3541 650		Description	date
		Drawing made by :	19-04-04
		<b>dutchi.motors@dutchi.nl</b> <b>www.dutchi.com</b>	

Power is our commodity, the world is our market !



Specification **IEC 60034-1**  
 Manufacturer **Dutchi Motors B.V.**  
 Motor type **DM1- 132 MX4**  
 Rated power **9** kW **S1** duty  
 Speed **1435** r.p.m  
 Voltage **400** / **690** V  
 Frequency **50** Hz  
 Connection **Δ** / **Y**  
 Amps full load **17,87** / **10,32** A  
 Amps no-load(400V) **8,25** A  
 Enclosure **IP 55**  
 Insulation Class **F (temp. rise B (80 K))**

Max. coolant temp. **40°C**  
 Max. altitude **1.000** mtr, above sea level  
 Comment **3 x PTC 150°C**  
 Cable entries **2 x M32x1,5 + 1 x M20x1,5 (ptc)**

Feature **Cast-iron motor**  
 Weight **85,0** kg  
 Catalog no.  
 Warranty **12~18 months**

Efficiency class **N/A**  
 Load data 100% 75% 50% 25%  
 Efficiency **86,8 87,5 86,3 79,8** %  
 Power factor **0,84 0,79 0,68 0,45**

Sound pressure level (1m) **58,1** dB(A)  
 Resistance R20 (open) **1,41** Ω  
 Resistance R20 **Δ 0,94** Ω

Full load torque **59,90** Nm  
 DOL Starting torque vs FL torque **2,56**  
 DOL Pull up torque vs FL torque **1,83**  
 DOL Pull out torque vs FL torque **3,43**  
 Star-Delta Starting torque vs FL torque **0,80**  
 Star-Delta Pull up torque vs FL torque **0,57**  
 Star-Delta Pull out torque vs FL torque **1,07**  
 DOL Starting current vs FL current **7,95**  
 Star Delta Starting current vs FL current **2,48**  
 Rotor Inertia **0,0299** kgm<sup>2</sup>

Bearing DE **6308 - ZZ C3**  
 Bearing NDE **6308 - ZZ C3**


WI	Change	date	sign.
Dutchi Motors B.V.		Description	date
P.O. Box 5390		Drawing made by :	19-04-04
NL-6802 EJ ARNHEM			
Tel : +31-(0)26 - 3541 600		dutchi.motors@dutchi.nl	
Fax : +31-(0)26 - 3541 650		www.dutchi.com	