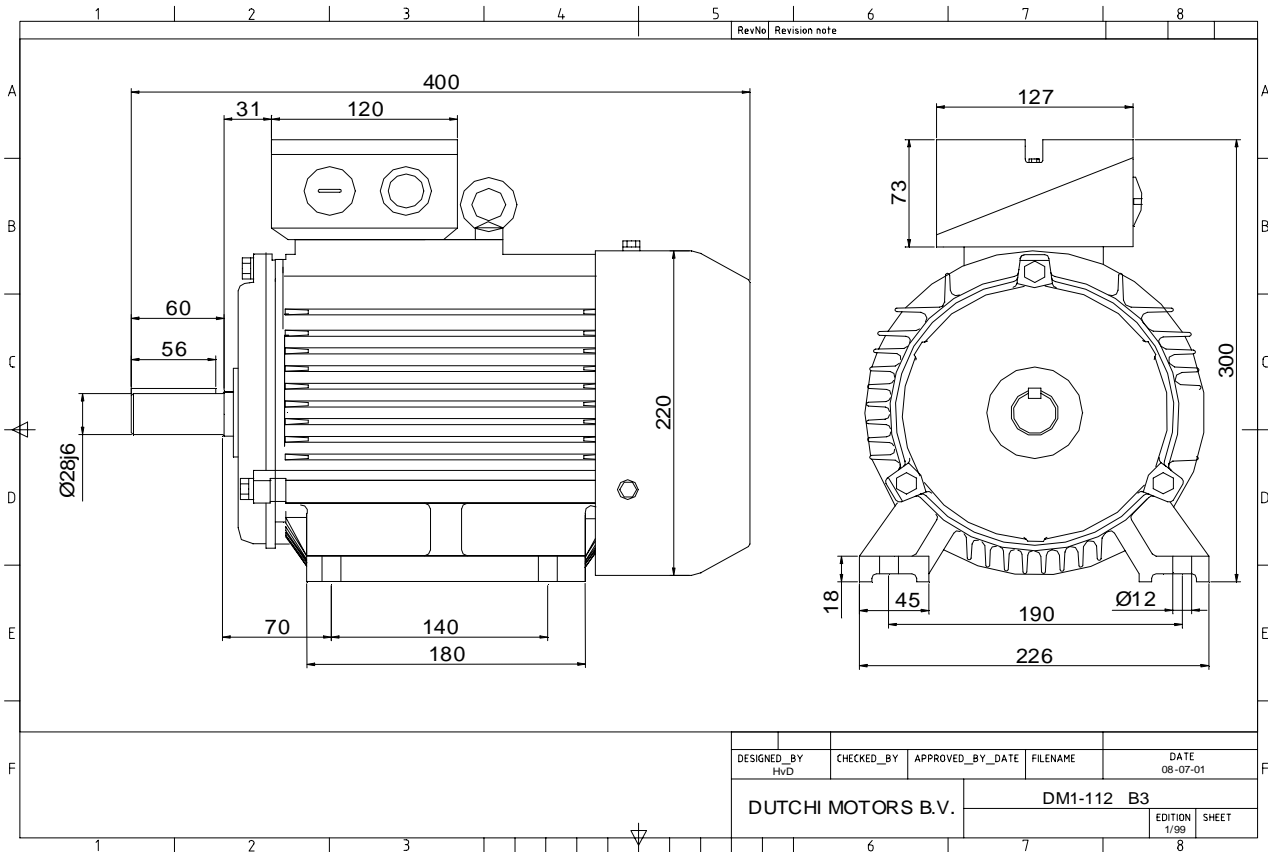


Power is our commodity, the world is our market !



Specification **IEC 60034-1**
 Manufacturer **Dutchi Motors B.V.**
 Motor type **DM1-HE 112M4**
 Rated power **4,00** kW **S1** duty
 Speed **1440** r.p.m
 Voltage **400** / **690** V
 Frequency **50** Hz
 Connection **Δ** / **Y**
 Amps full load **7,81** / **4,51** A
 Amps no-load(400V) **3,76** A
 Enclosure **IP 55**
 Insulation Class **F (temp. rise B (80 K))**

Max. coolant temp. **40°C**
 Max. altitude **1.000** mtr, above sea level
 Comment **3 x PTC 150°C**
 Cable entries **2 x M32x1,5 + 1 x M20x1,5 (ptc)**

Feature **Cast-iron motor**
 Weight **kg**
 Catalog no. **11134400DH**
 Warranty **12~18 months**

Efficiency class **EFF 1**
 Load data 100% 75% 50% 25%
 Efficiency **88,4 87,9 85,8 78,2** %
 Power factor **0,84 0,77 0,64 0,43**

Sound pressure level (1m) **51,9** dB(A)
 Resistance R20 (open) **2,53** Ω
 Resistance R20 **Δ 1,68** Ω

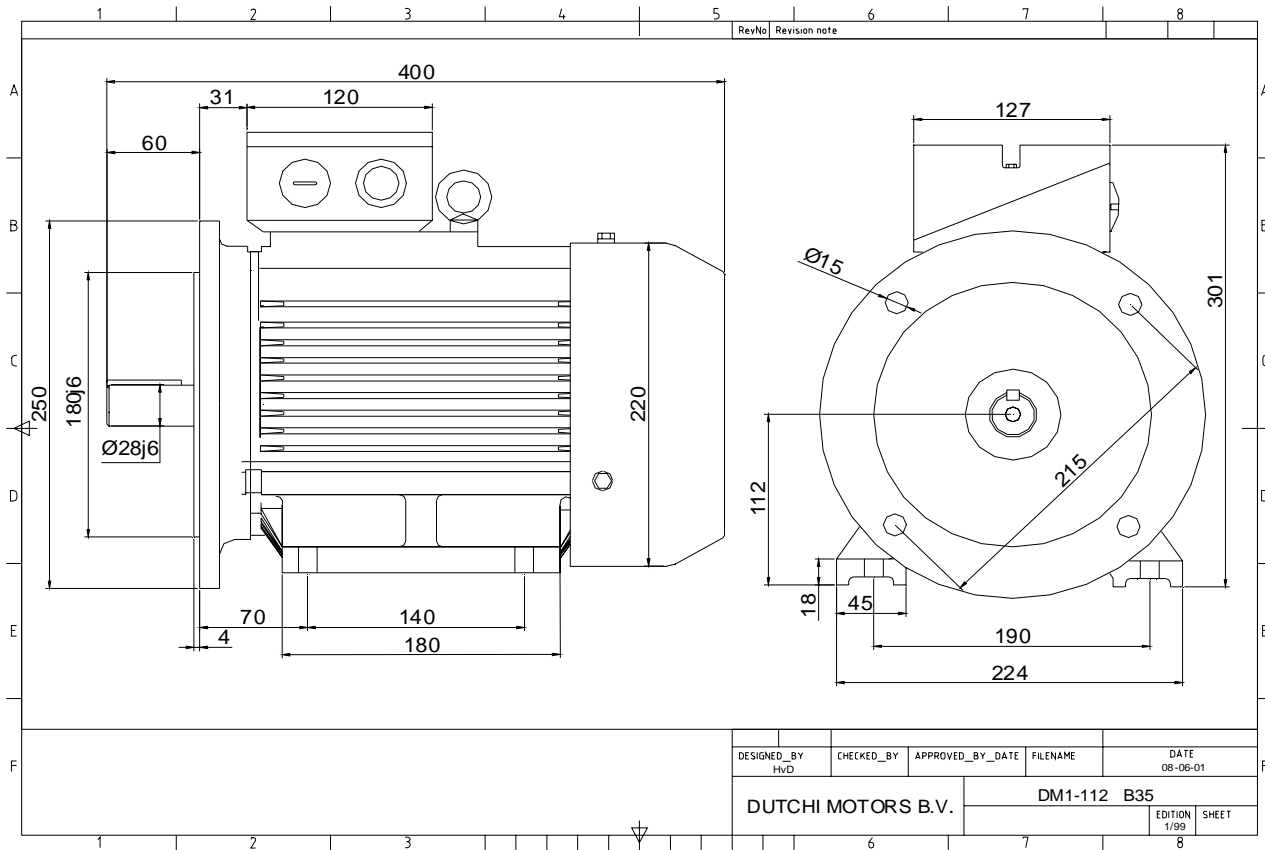
Full load torque **26,53** Nm
 DOL Starting torque vs FL torque **2,48**
 DOL Pull up torque vs FL torque **1,78**
 DOL Pull out torque vs FL torque **3,46**
 Star-Delta Starting torque vs FL torque **0,77**
 Star-Delta Pull up torque vs FL torque **0,56**
 Star-Delta Pull out torque vs FL torque **1,08**
 DOL Starting current vs FL current **7,02**
 Star Delta Starting current vs FL current **2,19**

Rotor Inertia **kgm2**

Bearing DE **6306 - ZZ C3**
 Bearing NDE **6306 - ZZ C3**

WI	Change	date	sign.
Dutchi Motors B.V. P.O. Box 5390 NL-6802 EJ ARNHEM Tel : +31-(0)26 - 3541 600 Fax : +31-(0)26 - 3541 650		Discription Drawing made by :	date sign. HvD
dutchi.motors@dutchi.nl www.dutchi.com		19-04-04	

Power is our commodity, the world is our market !



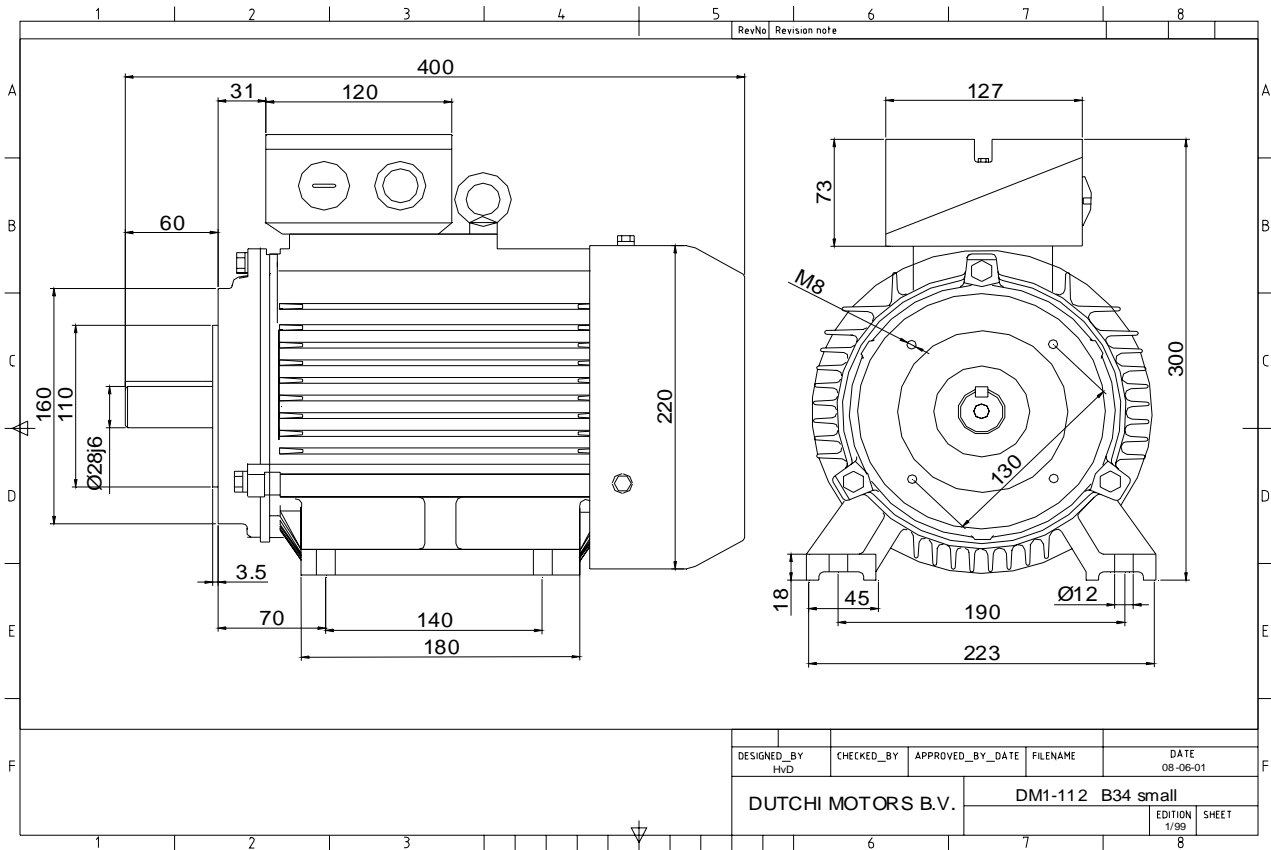
DESIGNED_BY HVD	CHECKED_BY	APPROVED_BY_DATE	FILENAME	DATE 08-06-01
DUTCHI MOTORS B.V.			DM1-112 B35	EDITION 1/99
				SHEET

Specification	IEC 60034-1
Manufacturer	Dutchi Motors B.V.
Motor type	DM1-HE 112M4
Rated power	4,00 kW S1 duty
Speed	1440 r.p.m
Voltage	400 / 690 V
Frequency	50 Hz
Connection	Δ / Y
Amps full load	7,81 / 4,51 A
Amps no-load(400V)	3,76 A
Enclosure	IP 55
Insulation Class	F (temp. rise B (80 K))
Max. coolant temp.	40°C
Max. altitude	1.000 mtr, above sea level
Comment	3 x PTC 150°C
Cable entries	2 x M32x1,5 + 1 x M20x1,5 (ptc)
Feature	Cast-iron motor
Weight	kg
Catalog no.	11534400DH
Warranty	12~18 months

Efficiency class	EFF 1
Load data	100% 75% 50% 25%
Efficiency	88,4 87,9 85,8 78,2 %
Power factor	0,84 0,77 0,64 0,43
Sound pressure level (1m)	51,9 dB(A)
Resistance R20 (open)	2,53 Ω
Resistance R20	Δ 1,68 Ω
Full load torque	26,53 Nm
DOL Starting torque vs FL torque	2,48
DOL Pull up torque vs FL torque	1,78
DOL Pull out torque vs FL torque	3,46
Star-Delta Starting torque vs FL torque	0,77
Star-Delta Pull up torque vs FL torque	0,56
Star-Delta Pull out torque vs FL torque	1,08
DOL Starting current vs FL current	7,02
Star Delta Starting current vs FL current	2,19
Rotor Inertia	kgm ²
Bearing DE	6306 - ZZ C3
Bearing NDE	6306 - ZZ C3

WI	Change	date	sign.
Dutchi Motors B.V. P.O. Box 5390 NL-6802 EJ ARNHEM Tel : +31-(0)26 - 3541 600 Fax : +31-(0)26 - 3541 650		Discription Drawing made by :	date sign. HVD
dutchi.motors@dutchi.nl www.dutchi.com		19-04-04	

Power is our commodity, the world is our market !



Specification **IEC 60034-1**
 Manufacturer **Dutchi Motors B.V.**
 Motor type **DM1-HE 112M4**
 Rated power **4,00** kW **S1** duty
 Speed **1440** r.p.m
 Voltage **400** / **690** V
 Frequency **50** Hz
 Connection **Δ** / **Y**
 Amps full load **7,81** / **4,51** A
 Amps no-load(400V) **3,76** A
 Enclosure **IP 55**
 Insulation Class **F (temp. rise B (80 K))**

Max. coolant temp. **40°C**
 Max. altitude **1.000** mtr, above sea level
 Comment **3 x PTC 150°C**
 Cable entries **2 x M32x1,5 + 1 x M20x1,5 (ptc)**

Feature **Cast-iron motor**
 Weight kg
 Catalog no. **11634400DH**
 Warranty **12~18 months**

Efficiency class **EFF 1**
 Load data 100% 75% 50% 25%
 Efficiency **88,4 87,9 85,8 78,2** %
 Power factor **0,84 0,77 0,64 0,43**

Sound pressure level (1m) **51,9** dB(A)
 Resistance R20 (open) **2,53** Ω
 Resistance R20 **Δ 1,68** Ω

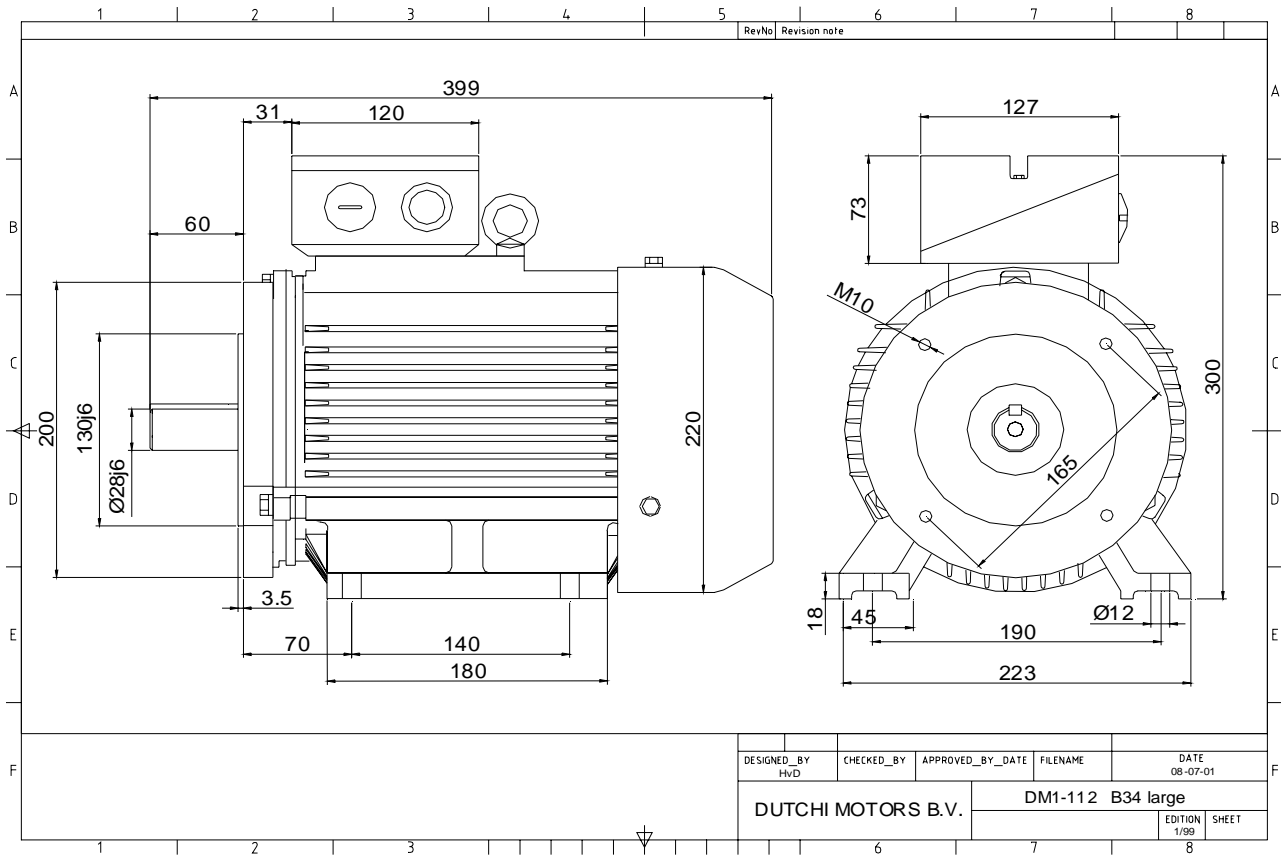
Full load torque **26,53** Nm
 DOL Starting torque vs FL torque **2,48**
 DOL Pull up torque vs FL torque **1,78**
 DOL Pull out torque vs FL torque **3,46**
 Star-Delta Starting torque vs FL torque **0,77**
 Star-Delta Pull up torque vs FL torque **0,56**
 Star-Delta Pull out torque vs FL torque **1,08**
 DOL Starting current vs FL current **7,02**
 Star Delta Starting current vs FL current **2,19**

Rotor Inertia kgm2

Bearing DE **6306 - ZZ C3**
 Bearing NDE **6306 - ZZ C3**

WI	Change	date	sign.
Dutchi Motors B.V.		Description	date
P.O. Box 5390		Drawing made by :	19-04-04
NL-6802 EJ ARNHEM			
Tel : +31-(0)26 - 3541 600		dutchi.motors@dutchi.nl	
Fax : +31-(0)26 - 3541 650		www.dutchi.com	

Power is our commodity, the world is our market !



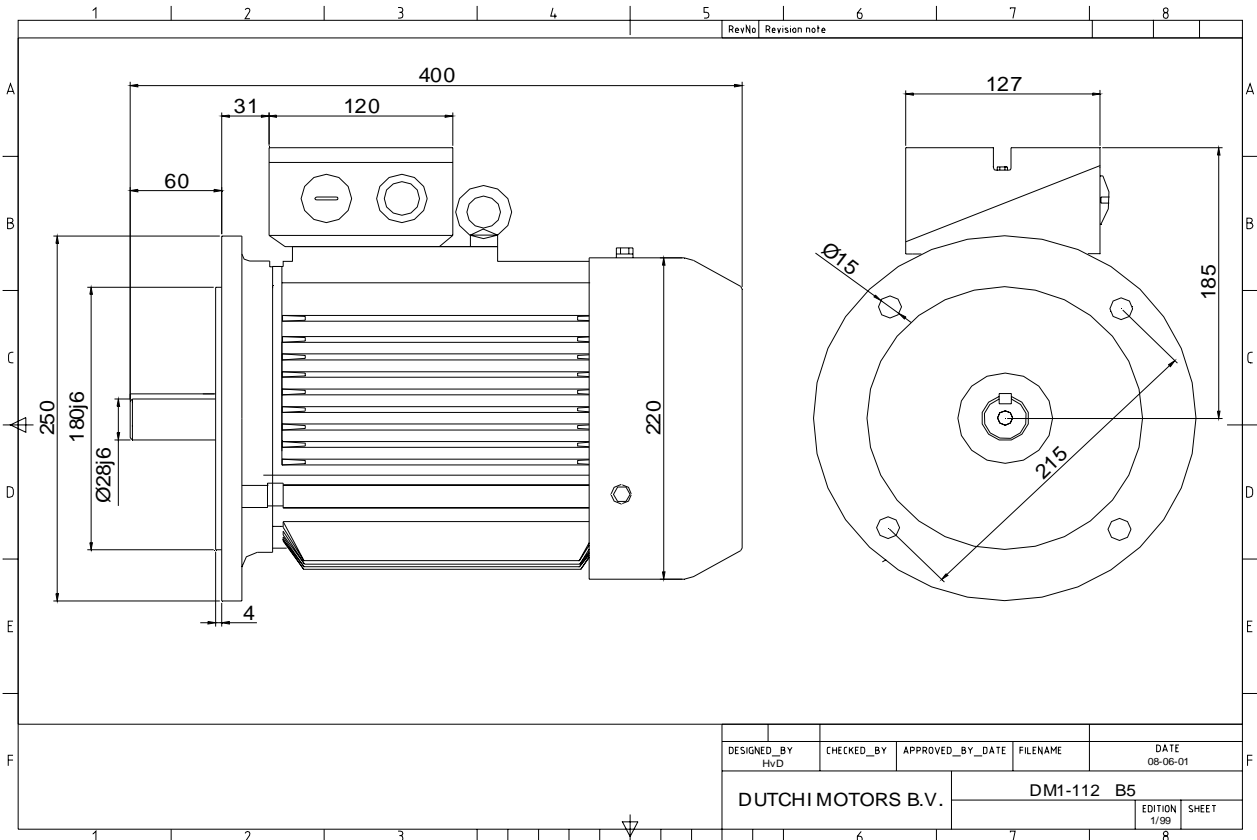
DESIGNED_BY HVD	CHECKED_BY	APPROVED_BY_DATE	FILENAME	DATE 08-07-01
DUTCHI MOTORS B.V.			DM1-112 B34 large	
		EDITION 1/99	SHEET	

Specification	IEC 60034-1
Manufacturer	Dutchi Motors B.V.
Motor type	DM1-HE 112M4
Rated power	4,00 kW S1 duty
Speed	1440 r.p.m
Voltage	400 / 690 V
Frequency	50 Hz
Connection	Δ / Y
Amps full load	7,81 / 4,51 A
Amps no-load(400V)	3,76 A
Enclosure	IP 55
Insulation Class	F (temp. rise B (80 K))
Max. coolant temp.	40°C
Max. altitude	1.000 mtr, above sea level
Comment	3 x PTC 150°C
Cable entries	2 x M32x1,5 + 1 x M20x1,5 (ptc)
Feature	Cast-iron motor
Weight	kg
Catalog no.	11734400DH
Warranty	12~18 months

Efficiency class	EFF 1			
Load data	100%	75%	50%	25%
Efficiency	88,4	87,9	85,8	78,2 %
Power factor	0,84	0,77	0,64	0,43
Sound pressure level (1m)				51,9 dB(A)
Resistance R20 (open)				2,53 Ω
Resistance R20	Δ			1,68 Ω
Full load torque				26,53 Nm
DOL Starting torque vs FL torque				2,48
DOL Pull up torque vs FL torque				1,78
DOL Pull out torque vs FL torque				3,46
Star-Delta Starting torque vs FL torque				0,77
Star-Delta Pull up torque vs FL torque				0,56
Star-Delta Pull out torque vs FL torque				1,08
DOL Starting current vs FL current				7,02
Star Delta Starting current vs FL current				2,19
Rotor Inertia				kgm ²
Bearing DE				6306 - ZZ C3
Bearing NDE				6306 - ZZ C3

WI	Change	date	sign.
Dutchi Motors B.V. P.O. Box 5390 NL-6802 EJ ARNHEM Tel : +31-(0)26 - 3541 600 Fax : +31-(0)26 - 3541 650		Discription Drawing made by :	date 19-04-04 sign. HVD
		dutchi.motors@dutchi.nl www.dutchi.com	

Power is our commodity, the world is our market !



Specification **IEC 60034-1**
 Manufacturer **Dutchi Motors B.V.**
 Motor type **DM1-HE 112M4**
 Rated power **4,00** kW **S1** duty
 Speed **1440** r.p.m
 Voltage **400** / **690** V
 Frequency **50** Hz
 Connection **Δ** / **Y**
 Amps full load **7,81** / **4,51** A
 Amps no-load(400V) **3,76** A
 Enclosure **IP 55**
 Insulation Class **F (temp. rise B (80 K))**

Max. coolant temp. **40°C**
 Max. altitude **1.000** mtr, above sea level
 Comment **3 x PTC 150°C**
 Cable entries **2 x M32x1,5 + 1 x M20x1,5 (ptc)**

Feature **Cast-iron motor**
 Weight **kg**
 Catalog no. **11234400DH**
 Warranty **12~18 months**

Efficiency class **EFF 1**
 Load data 100% 75% 50% 25%
 Efficiency **88,4 87,9 85,8 78,2** %
 Power factor **0,84 0,77 0,64 0,43**

Sound pressure level (1m) **51,9** dB(A)
 Resistance R20 (open) **2,53** Ω
 Resistance R20 **Δ 1,68** Ω

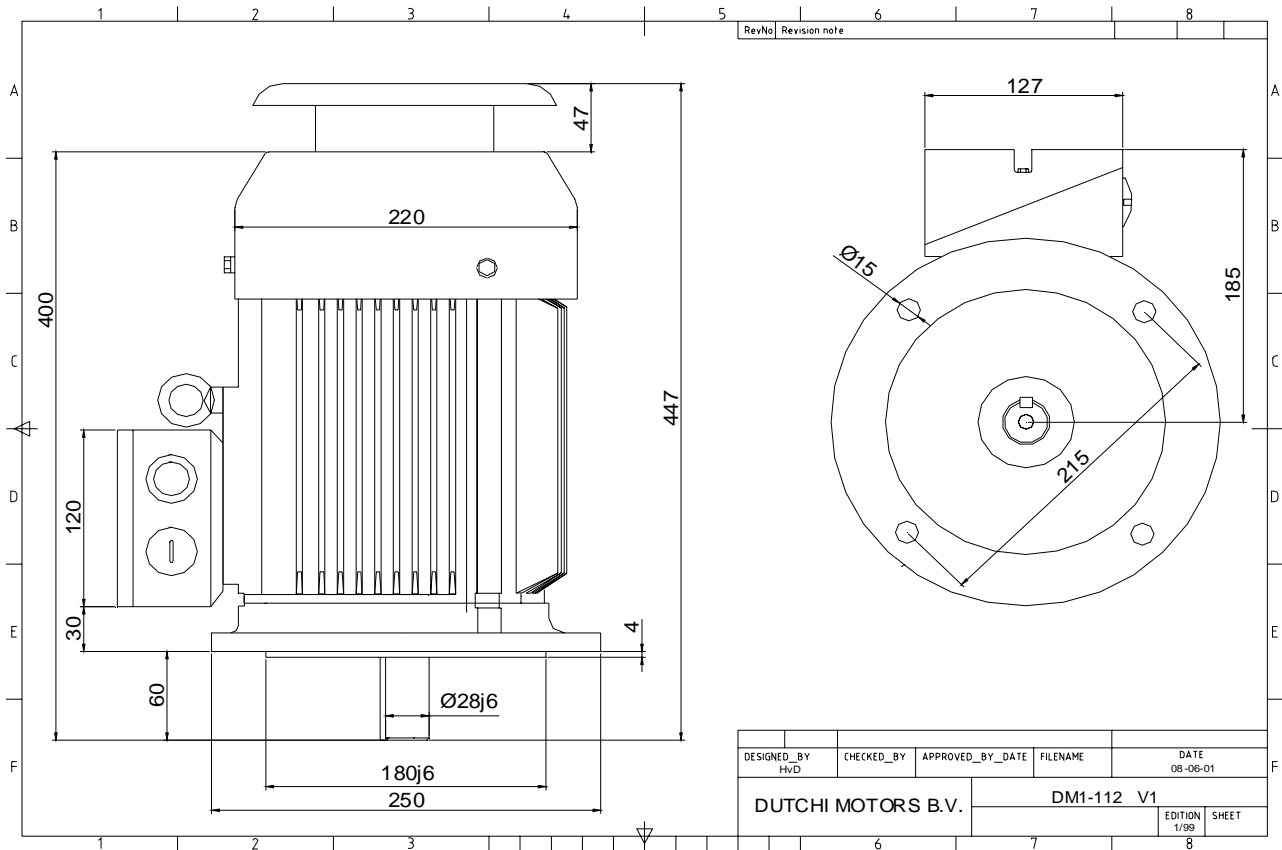
Full load torque **26,53** Nm
 DOL Starting torque vs FL torque **2,48**
 DOL Pull up torque vs FL torque **1,78**
 DOL Pull out torque vs FL torque **3,46**
 Star-Delta Starting torque vs FL torque **0,77**
 Star-Delta Pull up torque vs FL torque **0,56**
 Star-Delta Pull out torque vs FL torque **1,08**
 DOL Starting current vs FL current **7,02**
 Star Delta Starting current vs FL current **2,19**

Rotor Inertia **kgm2**

Bearing DE **6306 - ZZ C3**
 Bearing NDE **6306 - ZZ C3**

WI	Change	date	sign.
Dutchi Motors B.V.		Description	date
P.O. Box 5390		Drawing made by :	19-04-04
NL-6802 EJ ARNHEM			
Tel : +31-(0)26 - 3541 600		dutchi.motors@dutchi.nl	
Fax : +31-(0)26 - 3541 650		www.dutchi.com	

Power is our commodity, the world is our market !



Specification **IEC 60034-1**
 Manufacturer **Dutchi Motors B.V.**
 Motor type **DM1-HE 112M4**
 Rated power **4,00** kW **S1** duty
 Speed **1440** r.p.m
 Voltage **400** / **690** V
 Frequency **50** Hz
 Connection **Δ** / **Y**
 Amps full load **7,81** / **4,51** A
 Amps no-load(400V) **3,76** A
 Enclosure **IP 55**
 Insulation Class **F (temp. rise B (80 K))**

Max. coolant temp. **40°C**
 Max. altitude **1.000** mtr, above sea level
 Comment **3 x PTC 150°C**
 Cable entries **2 x M32x1,5 + 1 x M20x1,5 (ptc)**

Feature **Cast-iron motor**
 Weight **kg**
 Catalog no. **11034400DH**
 Warranty **12~18 months**

Efficiency class **EFF 1**
 Load data 100% 75% 50% 25%
 Efficiency **88,4 87,9 85,8 78,2** %
 Power factor **0,84 0,77 0,64 0,43**

Sound pressure level (1m) **51,9** dB(A)
 Resistance R20 (open) **2,53** Ω
 Resistance R20 **Δ 1,68** Ω

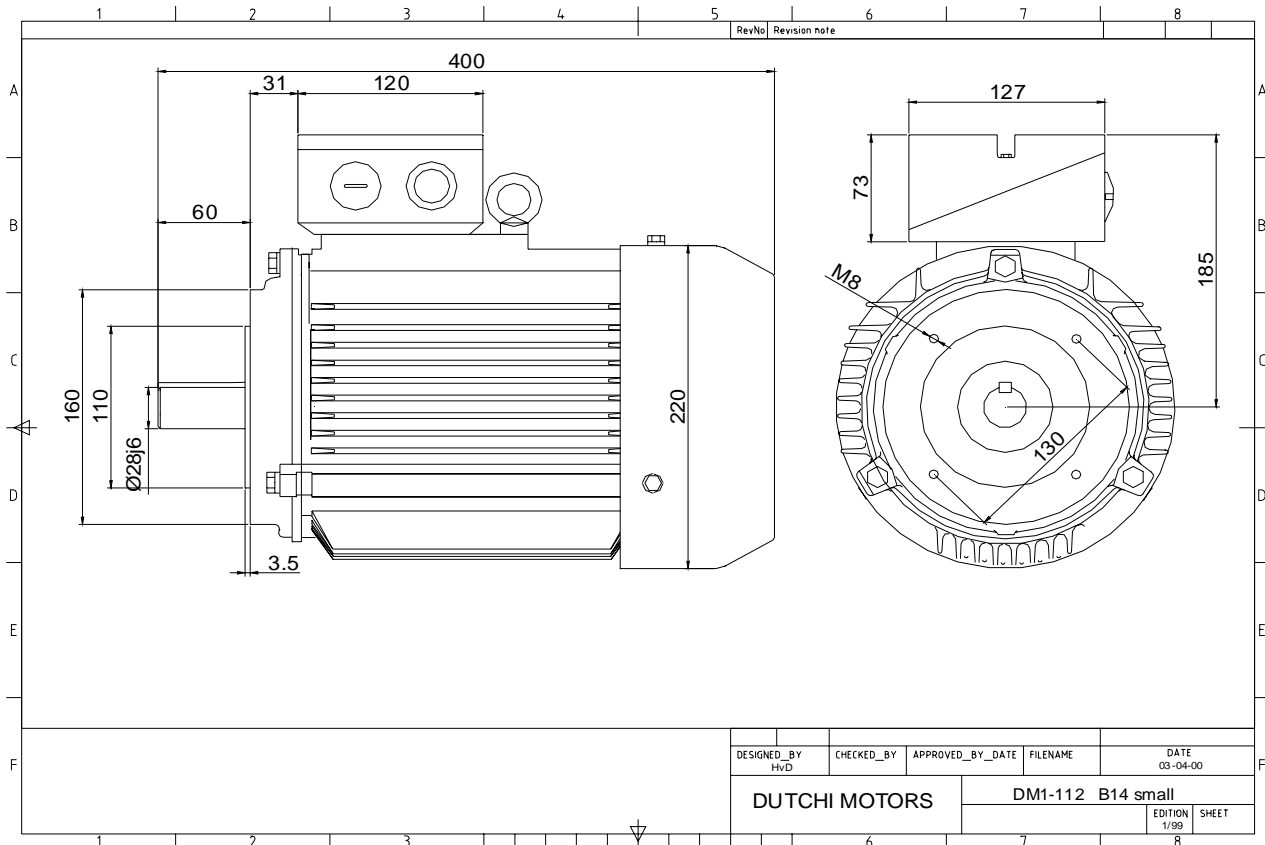
Full load torque **26,53** Nm
 DOL Starting torque vs FL torque **2,48**
 DOL Pull up torque vs FL torque **1,78**
 DOL Pull out torque vs FL torque **3,46**
 Star-Delta Starting torque vs FL torque **0,77**
 Star-Delta Pull up torque vs FL torque **0,56**
 Star-Delta Pull out torque vs FL torque **1,08**
 DOL Starting current vs FL current **7,02**
 Star Delta Starting current vs FL current **2,19**

Rotor Inertia **kgm2**

Bearing DE **6306 - ZZ C3**
 Bearing NDE **6306 - ZZ C3**

WI	Change	date	sign.
Dutchi Motors B.V.		Description	date
P.O. Box 5390		Drawing made by :	19-04-04
NL-6802 EJ ARNHEM			
Tel : +31-(0)26 - 3541 600		dutchi.motors@dutchi.nl	
Fax : +31-(0)26 - 3541 650		www.dutchi.com	

Power is our commodity, the world is our market !



Specification **IEC 60034-1**
 Manufacturer **Dutchi Motors B.V.**
 Motor type **DM1-HE 112M4**
 Rated power **4,00** kW **S1** duty
 Speed **1440** r.p.m
 Voltage **400** / **690** V
 Frequency **50** Hz
 Connection **Δ** / **Y**
 Amps full load **7,81** / **4,51** A
 Amps no-load(400V) **3,76** A
 Enclosure **IP 55**
 Insulation Class **F (temp. rise B (80 K))**

Max. coolant temp. **40°C**
 Max. altitude **1.000** mtr, above sea level
 Comment **3 x PTC 150°C**
 Cable entries **2 x M32x1,5 + 1 x M20x1,5 (ptc)**

Feature **Cast-iron motor**
 Weight **kg**
 Catalog no. **11334400DH**
 Warranty **12~18 months**

Efficiency class **EFF 1**
 Load data 100% 75% 50% 25%
 Efficiency **88,4 87,9 85,8 78,2** %
 Power factor **0,84 0,77 0,64 0,43**

Sound pressure level (1m) **51,9** dB(A)
 Resistance R20 (open) **2,53** Ω
 Resistance R20 **Δ 1,68** Ω

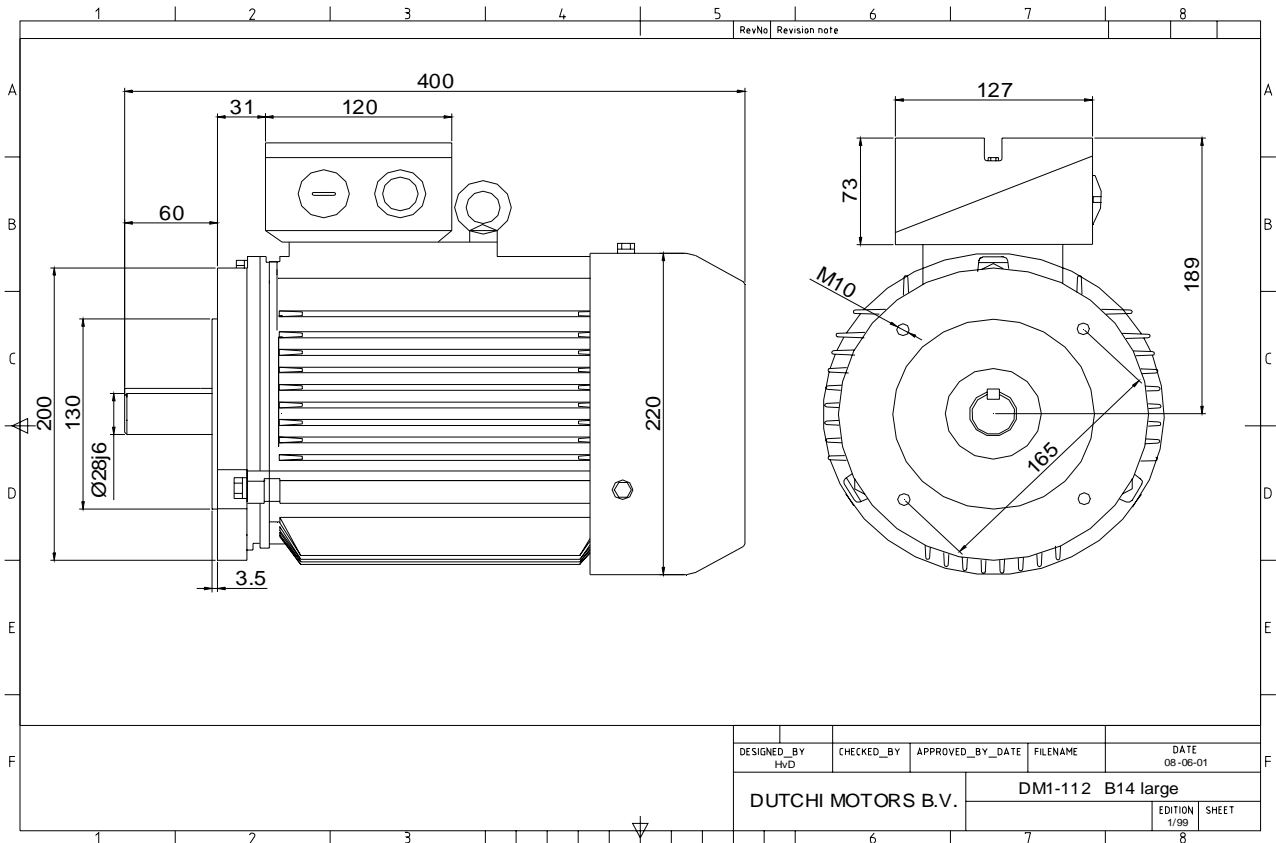
Full load torque **26,53** Nm
 DOL Starting torque vs FL torque **2,48**
 DOL Pull up torque vs FL torque **1,78**
 DOL Pull out torque vs FL torque **3,46**
 Star-Delta Starting torque vs FL torque **0,77**
 Star-Delta Pull up torque vs FL torque **0,56**
 Star-Delta Pull out torque vs FL torque **1,08**
 DOL Starting current vs FL current **7,02**
 Star Delta Starting current vs FL current **2,19**

Rotor Inertia **kgm2**

Bearing DE **6306 - ZZ C3**
 Bearing NDE **6306 - ZZ C3**

WI	Change	date	sign.
Dutchi Motors B.V. P.O. Box 5390 NL-6802 EJ ARNHEM Tel : +31-(0)26 - 3541 600 Fax : +31-(0)26 - 3541 650		Discription	date
		Drawing made by :	19-04-04
dutchi.motors@dutchi.nl www.dutchi.com		sign.	HvD

Power is our commodity, the world is our market !



Specification **IEC 60034-1**
 Manufacturer **Dutchi Motors B.V.**
 Motor type **DM1-HE 112M4**
 Rated power **4,00** kW **S1** duty
 Speed **1440** r.p.m
 Voltage **400** / **690** V
 Frequency **50** Hz
 Connection **Δ** / **Y**
 Amps full load **7,81** / **4,51** A
 Amps no-load(400V) **3,76** A
 Enclosure **IP 55**
 Insulation Class **F (temp. rise B (80 K))**

Max. coolant temp. **40°C**
 Max. altitude **1.000** mtr, above sea level
 Comment **3 x PTC 150°C**
 Cable entries **2 x M32x1,5 + 1 x M20x1,5 (ptc)**

Feature **Cast-iron motor**
 Weight **kg**
 Catalog no. **11434400DH**
 Warranty **12~18 months**

Efficiency class **EFF 1**
 Load data 100% 75% 50% 25%
 Efficiency **88,4 87,9 85,8 78,2** %
 Power factor **0,84 0,77 0,64 0,43**

Sound pressure level (1m) **51,9** dB(A)
 Resistance R20 (open) **2,53** Ω
 Resistance R20 **Δ 1,68** Ω

Full load torque **26,53** Nm
 DOL Starting torque vs FL torque **2,48**
 DOL Pull up torque vs FL torque **1,78**
 DOL Pull out torque vs FL torque **3,46**
 Star-Delta Starting torque vs FL torque **0,77**
 Star-Delta Pull up torque vs FL torque **0,56**
 Star-Delta Pull out torque vs FL torque **1,08**
 DOL Starting current vs FL current **7,02**
 Star Delta Starting current vs FL current **2,19**

Rotor Inertia **kgm2**

Bearing DE **6306 - ZZ C3**
 Bearing NDE **6306 - ZZ C3**

WI	Change	date	sign.
Dutchi Motors B.V. P.O. Box 5390 NL-6802 EJ ARNHEM Tel : +31-(0)26 - 3541 600 Fax : +31-(0)26 - 3541 650		Discription Drawing made by : 19-04-04	date sign. HvD
dutchi.motors@dutchi.nl www.dutchi.com			