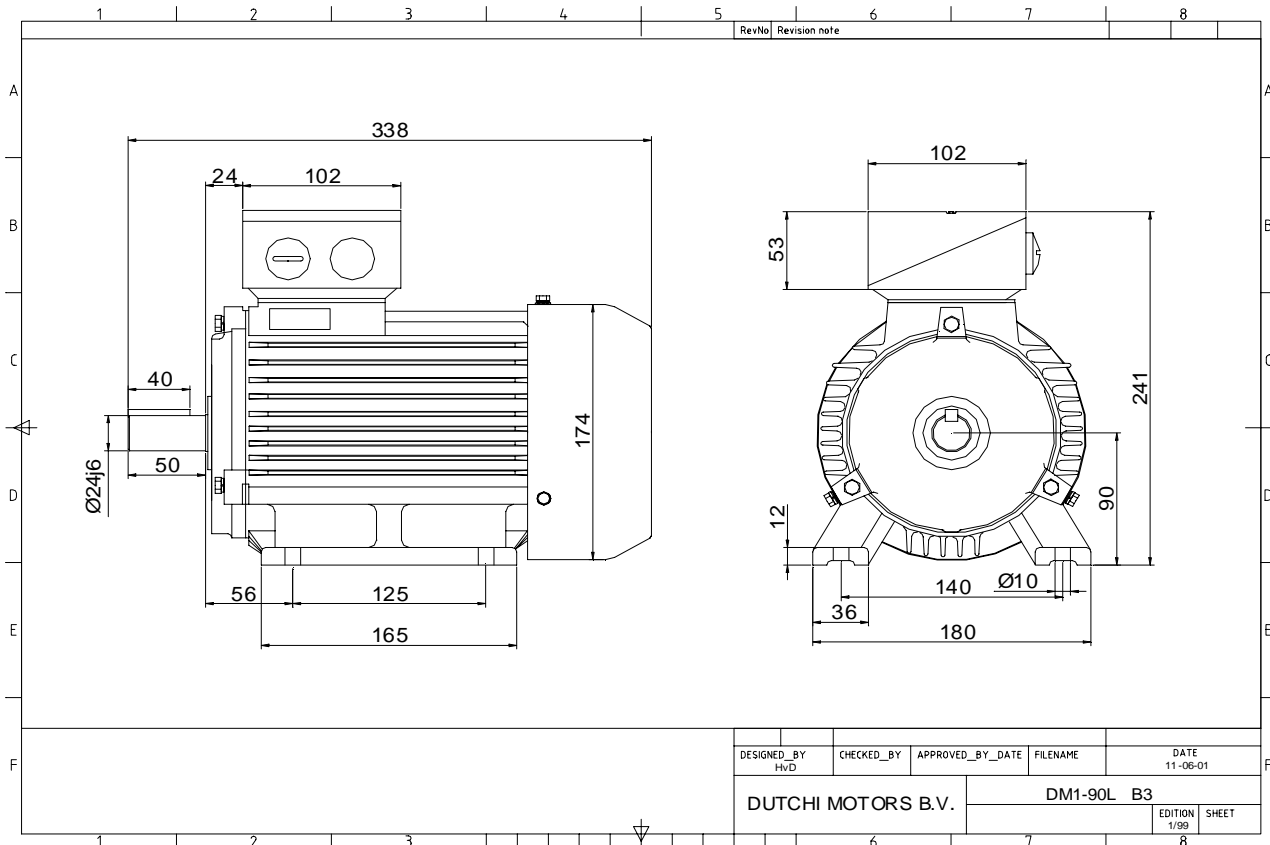


Power is our commodity, the world is our market !



Specification **IEC 60034-1**
 Manufacturer **Dutchi Motors B.V.**
 Motor type **DM1- 90 L6**
 Rated power **1,1** kW **S1** duty
 Speed **910** r.p.m
 Voltage **230 / 400** V
 Frequency **50** Hz
 Connection **Δ / Y**
 Amps full load **5,17 / 2,98** A
 Amps no-load(400V) **2,10** A
 Enclosure **IP 55**
 Insulation Class **F (temp. rise B (80 K))**

Max. coolant temp. **40°C**
 Max. altitude **1.000** mtr, above sea level
 Comment **3 x PTC 150°C**
 Cable entries **2 x M25x1,5 + 1 x M20x1,5 (ptc)**

Feature **Cast-iron motor**
 Weight **25,0** kg
 Catalog no. **11126110D**
 Warranty **12~18 months**

Efficiency class **N/A**
 Load data 100% 75% 50% 25%
 Efficiency **74,1 73,8 70,4 56,3** %
 Power factor **0,72 0,62 0,49 0,31**

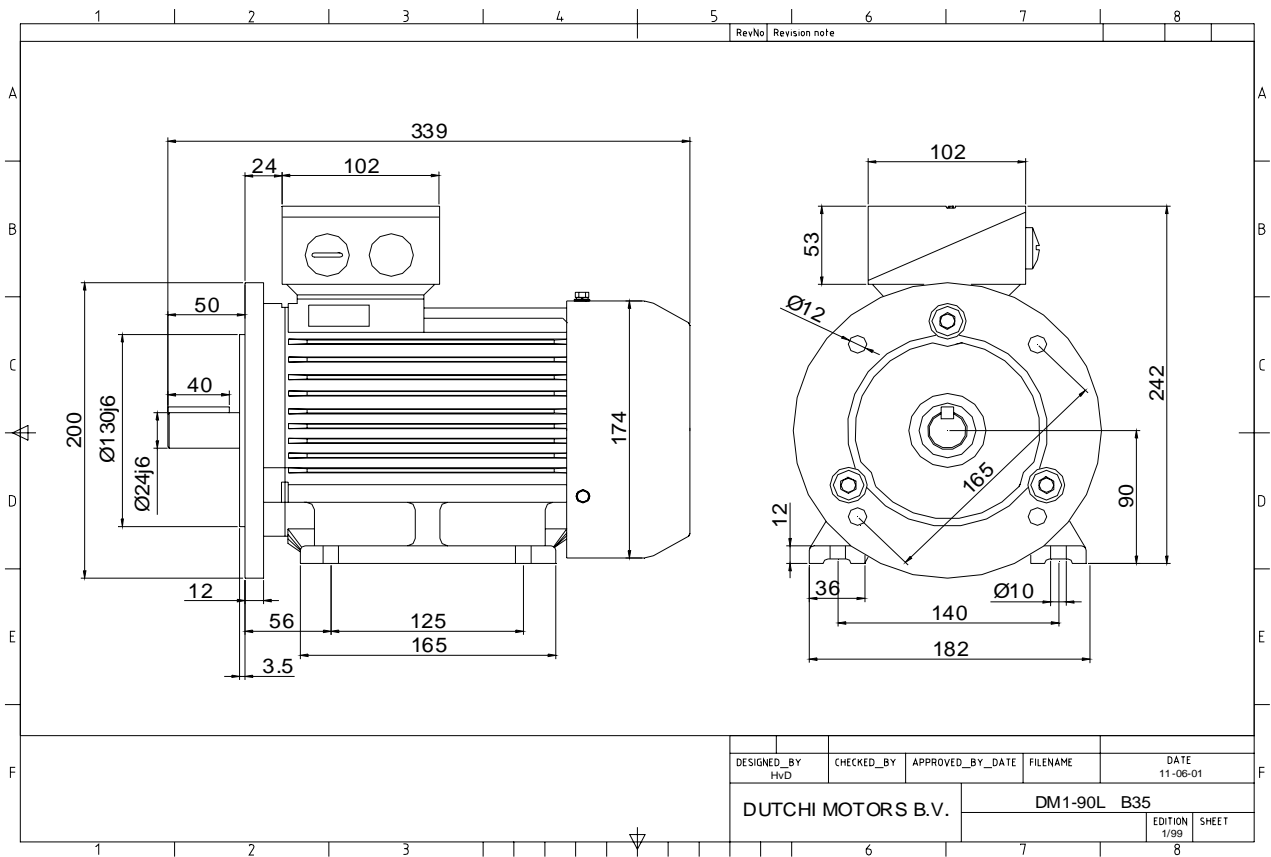
Sound pressure level (1m) **44,1** dB(A)
 Resistance R20 (open) **5,83** Ω
 Resistance R20 **Y 11,66** Ω

Full load torque **11,54** Nm
 DOL Starting torque vs FL torque **2,20**
 DOL Pull up torque vs FL torque **1,53**
 DOL Pull out torque vs FL torque **2,83**
 Star-Delta Starting torque vs FL torque **Y - motor**
 Star-Delta Pull up torque vs FL torque **Y - motor**
 Star-Delta Pull out torque vs FL torque **Y - motor**
 DOL Starting current vs FL current **4,53**
 Star Delta Starting current vs FL current **Y - motor**
 Rotor Inertia **0,0035** kgm2

Bearing DE **6205 - ZZ**
 Bearing NDE **6205 - ZZ**

WI	Change	date	sign.
Dutchi Motors B.V.		Description	date
P.O. Box 5390		Drawing made by :	19-04-04
NL-6802 EJ ARNHEM			
Tel : +31-(0)26 - 3541 600		dutchi.motors@dutchi.nl	
Fax : +31-(0)26 - 3541 650		www.dutchi.com	

Power is our commodity, the world is our market !



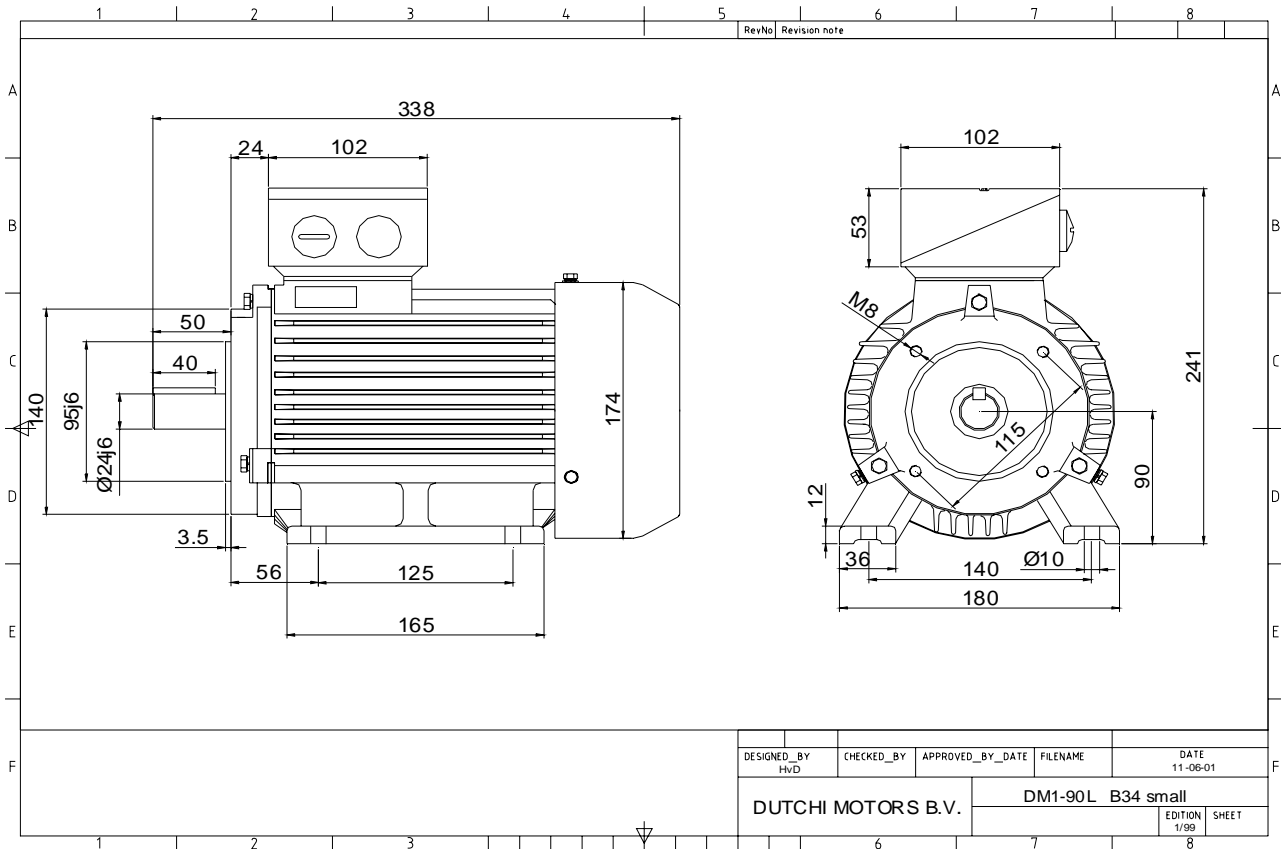
DESIGNED_BY HvD	CHECKED_BY	APPROVED_BY_DATE	FILENAME	DATE 11-06-01
DUTCHI MOTORS B.V.			DM1-90L B35	EDITION 1/99
				SHEET

Specification	IEC 60034-1
Manufacturer	Dutchi Motors B.V.
Motor type	DM1- 90 L6
Rated power	1,1 kW S1 duty
Speed	910 r.p.m
Voltage	230 / 400 V
Frequency	50 Hz
Connection	Δ / Y
Amps full load	5,17 / 2,98 A
Amps no-load(400V)	2,10 A
Enclosure	IP 55
Insulation Class	F (temp. rise B (80 K))
Max. coolant temp.	40°C
Max. altitude	1.000 mtr, above sea level
Comment	3 x PTC 150°C
Cable entries	2 x M25x1,5 + 1 x M20x1,5 (ptc)
Feature	Cast-iron motor
Weight	25,0 kg
Catalog no.	11526110D
Warranty	12~18 months

Efficiency class	N/A			
Load data	100%	75%	50%	25%
Efficiency	74,1	73,8	70,4	56,3 %
Power factor	0,72	0,62	0,49	0,31
Sound pressure level (1m)				44,1 dB(A)
Resistance R20 (open)				5,83 Ω
Resistance R20	Y		11,66 Ω	
Full load torque				11,54 Nm
DOL Starting torque vs FL torque				2,20
DOL Pull up torque vs FL torque				1,53
DOL Pull out torque vs FL torque				2,83
Star-Delta Starting torque vs FL torque				Y - motor
Star-Delta Pull up torque vs FL torque				Y - motor
Star-Delta Pull out torque vs FL torque				Y - motor
DOL Starting current vs FL current				4,53
Star Delta Starting current vs FL current				Y - motor
Rotor Inertia				0,0035 kgm2
Bearing DE				6205 - ZZ
Bearing NDE				6205 - ZZ

WI	Change	date	sign.
Dutchi Motors B.V. P.O. Box 5390 NL-6802 EJ ARNHEM Tel : +31-(0)26 - 3541 600 Fax : +31-(0)26 - 3541 650		Discription Drawing made by :	date 19-04-04 sign. HvD
		dutchi.motors@dutchi.nl www.dutchi.com	

Power is our commodity, the world is our market !

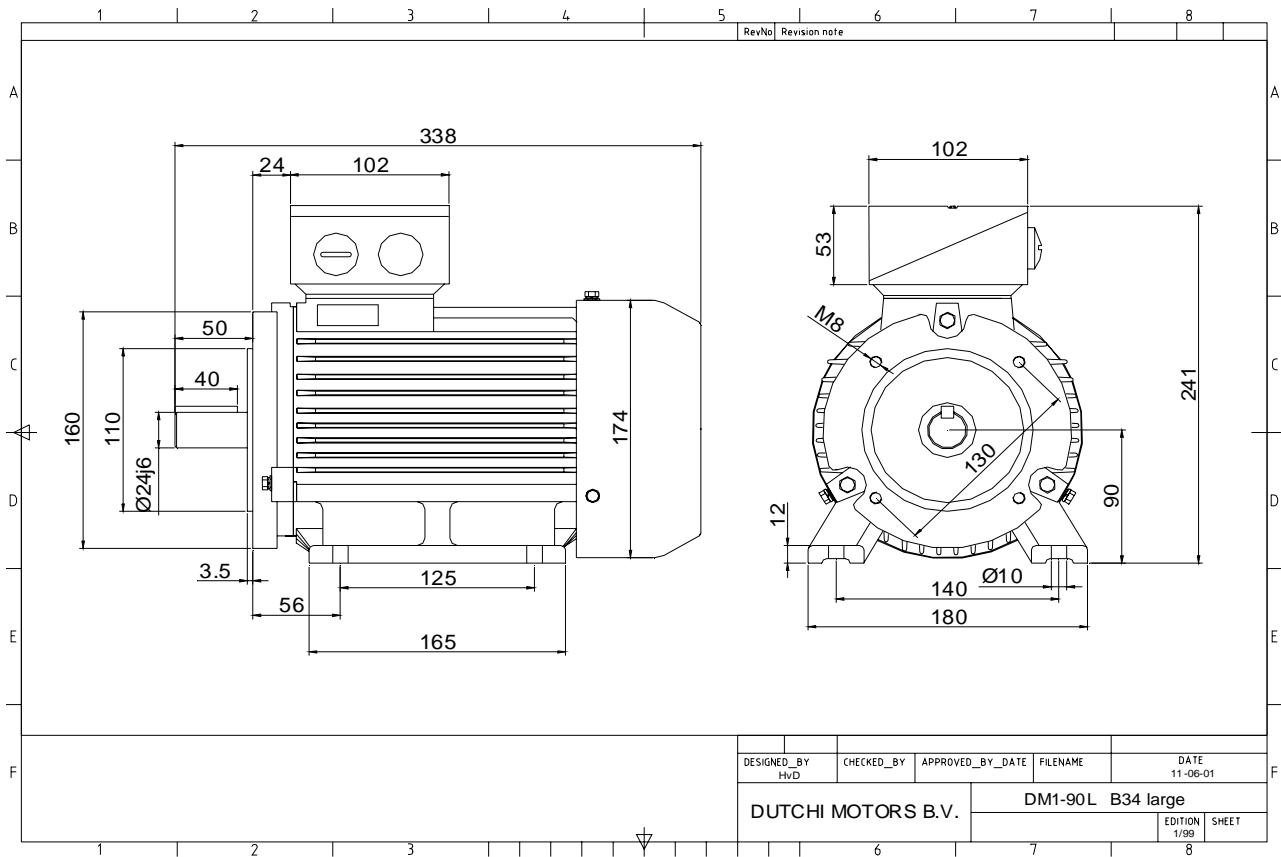


Specification	IEC 60034-1
Manufacturer	Dutchi Motors B.V.
Motor type	DM1- 90 L6
Rated power	1,1 kW S1 duty
Speed	910 r.p.m
Voltage	230 / 400 V
Frequency	50 Hz
Connection	Δ / Y
Amps full load	5,17 / 2,98 A
Amps no-load(400V)	2,10 A
Enclosure	IP 55
Insulation Class	F (temp. rise B (80 K))
Max. coolant temp.	40°C
Max. altitude	1.000 mtr, above sea level
Comment	3 x PTC 150°C
Cable entries	2 x M25x1,5 + 1 x M20x1,5 (ptc)
Feature	Cast-iron motor
Weight	25,0 kg
Catalog no.	11626110D
Warranty	12~18 months

Efficiency class	N/A			
Load data	100%	75%	50%	25%
Efficiency	74,1	73,8	70,4	56,3 %
Power factor	0,72	0,62	0,49	0,31
Sound pressure level (1m)				44,1 dB(A)
Resistance R20 (open)				5,83 Ω
Resistance R20	Y		11,66 Ω	
Full load torque				11,54 Nm
DOL Starting torque vs FL torque				2,20
DOL Pull up torque vs FL torque				1,53
DOL Pull out torque vs FL torque				2,83
Star-Delta Starting torque vs FL torque				Y - motor
Star-Delta Pull up torque vs FL torque				Y - motor
Star-Delta Pull out torque vs FL torque				Y - motor
DOL Starting current vs FL current				4,53
Star Delta Starting current vs FL current				Y - motor
Rotor Inertia				0,0035 kgm ²
Bearing DE				6205 - ZZ
Bearing NDE				6205 - ZZ

WI	Change	date	sign.
Dutchi Motors B.V. P.O. Box 5390 NL-6802 EJ ARNHEM Tel : +31-(0)26 - 3541 600 Fax : +31-(0)26 - 3541 650		Description	date
		Drawing made by :	19-04-04
		dutchi.motors@dutchi.nl www.dutchi.com	

Power is our commodity, the world is our market !



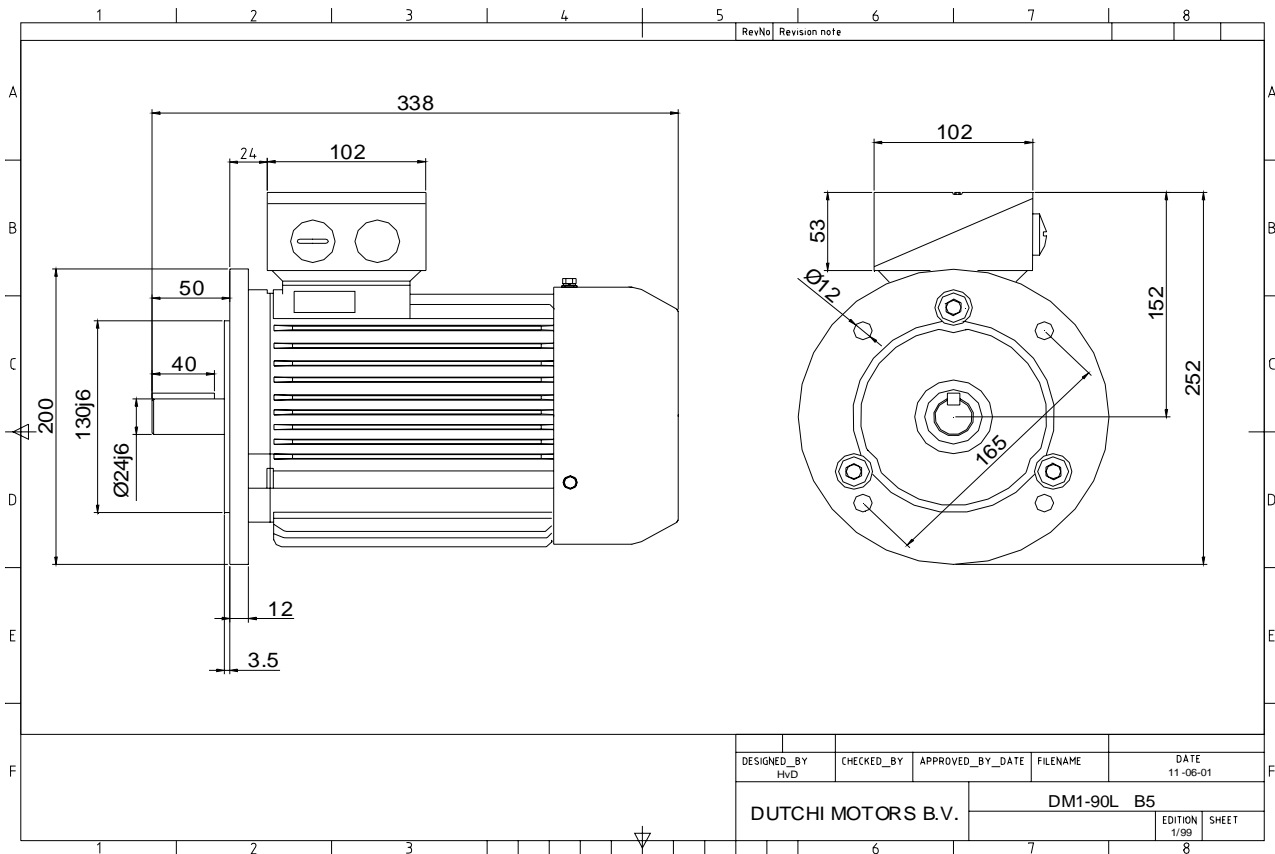
DESIGNED_BY HvD	CHECKED_BY	APPROVED_BY_DATE	FILENAME	DATE 11-06-01
DUTCHI MOTORS B.V.			DM1-90L B34 large	
		EDITION 1/99	SHEET	

Specification	IEC 60034-1
Manufacturer	Dutchi Motors B.V.
Motor type	DM1- 90 L6
Rated power	1,1 kW S1 duty
Speed	910 r.p.m
Voltage	230 / 400 V
Frequency	50 Hz
Connection	Δ / Y
Amps full load	5,17 / 2,98 A
Amps no-load(400V)	2,10 A
Enclosure	IP 55
Insulation Class	F (temp. rise B (80 K))
Max. coolant temp.	40°C
Max. altitude	1.000 mtr, above sea level
Comment	3 x PTC 150°C
Cable entries	2 x M25x1,5 + 1 x M20x1,5 (ptc)
Feature	Cast-iron motor
Weight	25,0 kg
Catalog no.	11726110D
Warranty	12~18 months

Efficiency class	N/A			
Load data	100%	75%	50%	25%
Efficiency	74,1	73,8	70,4	56,3 %
Power factor	0,72	0,62	0,49	0,31
Sound pressure level (1m)				44,1 dB(A)
Resistance R20 (open)				5,83 Ω
Resistance R20	Y		11,66 Ω	
Full load torque				11,54 Nm
DOL Starting torque vs FL torque				2,20
DOL Pull up torque vs FL torque				1,53
DOL Pull out torque vs FL torque				2,83
Star-Delta Starting torque vs FL torque				Y - motor
Star-Delta Pull up torque vs FL torque				Y - motor
Star-Delta Pull out torque vs FL torque				Y - motor
DOL Starting current vs FL current				4,53
Star Delta Starting current vs FL current				Y - motor
Rotor Inertia				0,0035 kgm ²
Bearing DE				6205 - ZZ
Bearing NDE				6205 - ZZ

WI	Change	date	sign.
Dutchi Motors B.V. P.O. Box 5390 NL-6802 EJ ARNHEM Tel : +31-(0)26 - 3541 600 Fax : +31-(0)26 - 3541 650		Discription Drawing made by :	date 19-04-04 sign. HvD
		dutchi.motors@dutchi.nl www.dutchi.com	

Power is our commodity, the world is our market !



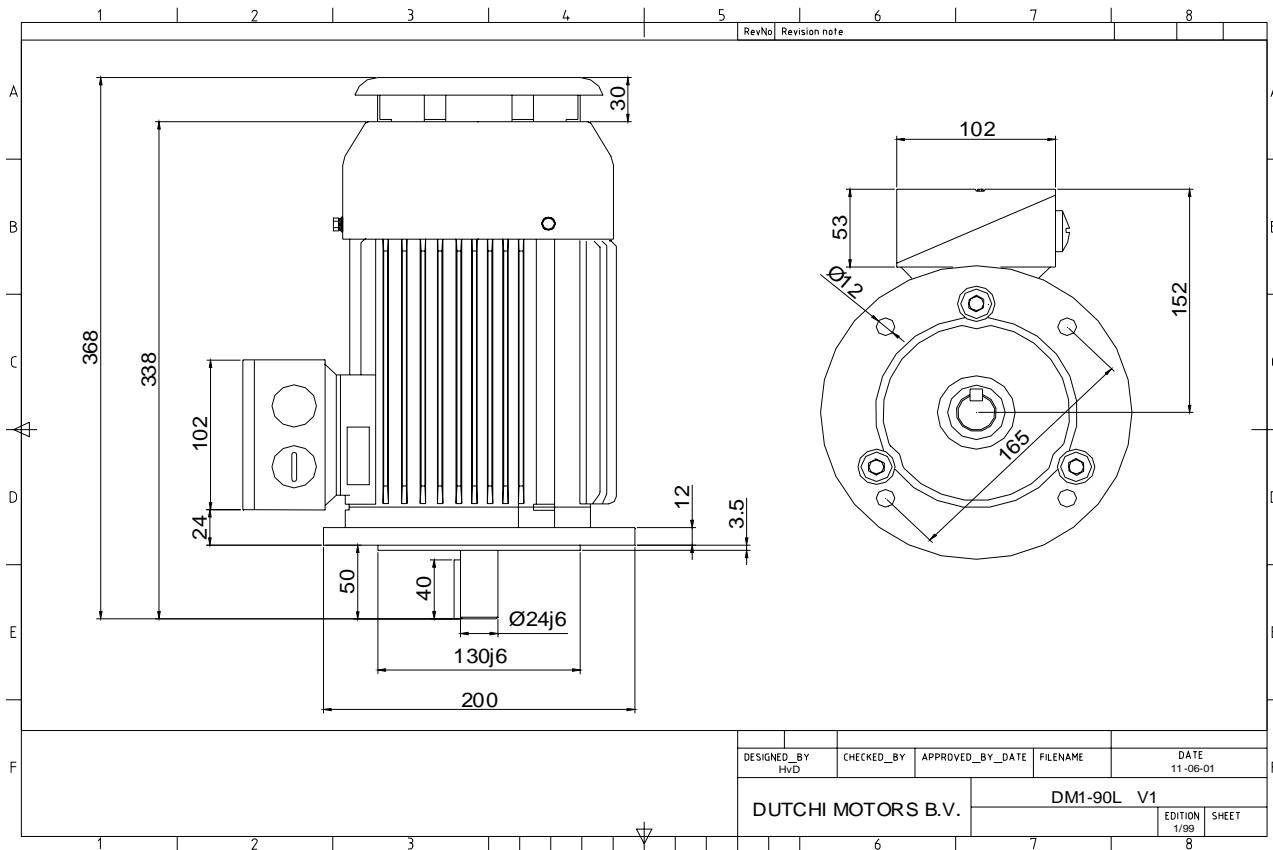
DESIGNED_BY HvD	CHECKED_BY	APPROVED_BY_DATE	FILENAME	DATE 11-06-01
DUTCHI MOTORS B.V.			DM1-90L B5	EDITION 1/99
				SHEET

Specification	IEC 60034-1
Manufacturer	Dutchi Motors B.V.
Motor type	DM1- 90 L6
Rated power	1,1 kW S1 duty
Speed	910 r.p.m
Voltage	230 / 400 V
Frequency	50 Hz
Connection	Δ / Y
Amps full load	5,17 / 2,98 A
Amps no-load(400V)	2,10 A
Enclosure	IP 55
Insulation Class	F (temp. rise B (80 K))
Max. coolant temp.	40°C
Max. altitude	1.000 mtr, above sea level
Comment	3 x PTC 150°C
Cable entries	2 x M25x1,5 + 1 x M20x1,5 (ptc)
Feature	Cast-iron motor
Weight	25,0 kg
Catalog no.	11226110D
Warranty	12~18 months

Efficiency class	N/A			
Load data	100%	75%	50%	25%
Efficiency	74,1	73,8	70,4	56,3 %
Power factor	0,72	0,62	0,49	0,31
Sound pressure level (1m)				44,1 dB(A)
Resistance R20 (open)				5,83 Ω
Resistance R20	Y		11,66 Ω	
Full load torque				11,54 Nm
DOL Starting torque vs FL torque				2,20
DOL Pull up torque vs FL torque				1,53
DOL Pull out torque vs FL torque				2,83
Star-Delta Starting torque vs FL torque				Y - motor
Star-Delta Pull up torque vs FL torque				Y - motor
Star-Delta Pull out torque vs FL torque				Y - motor
DOL Starting current vs FL current				4,53
Star Delta Starting current vs FL current				Y - motor
Rotor Inertia				0,0035 kgm ²
Bearing DE				6205 - ZZ
Bearing NDE				6205 - ZZ

WI	Change	date	sign.
Dutchi Motors B.V. P.O. Box 5390 NL-6802 EJ ARNHEM Tel : +31-(0)26 - 3541 600 Fax : +31-(0)26 - 3541 650		Discription Drawing made by :	date 19-04-04
dutchi.motors@dutchi.nl www.dutchi.com		sign. HvD	

Power is our commodity, the world is our market !

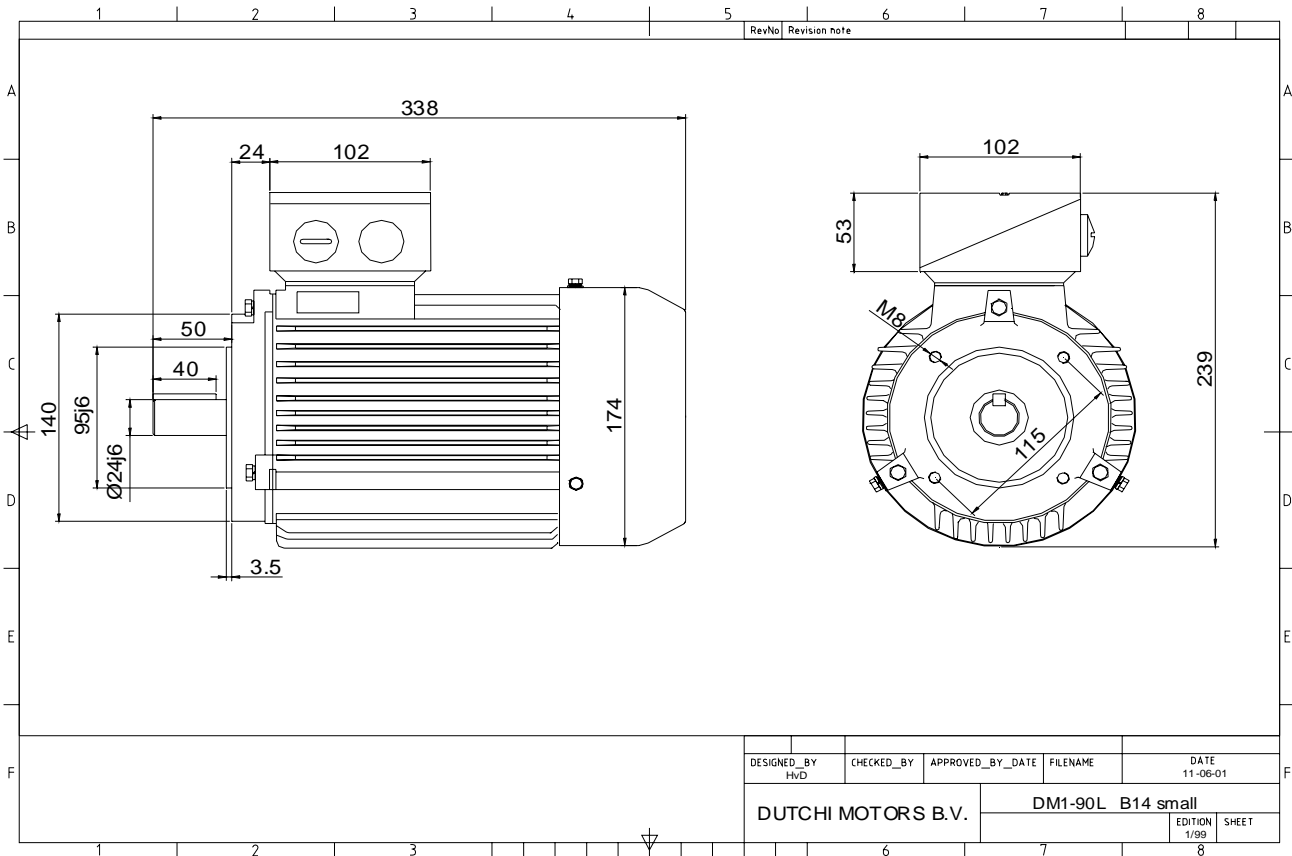


Specification	IEC 60034-1
Manufacturer	Dutchi Motors B.V.
Motor type	DM1- 90 L6
Rated power	1,1 kW S1 duty
Speed	910 r.p.m
Voltage	230 / 400 V
Frequency	50 Hz
Connection	Δ / Y
Amps full load	5,17 / 2,98 A
Amps no-load(400V)	2,10 A
Enclosure	IP 55
Insulation Class	F (temp. rise B (80 K))
Max. coolant temp.	40°C
Max. altitude	1.000 mtr, above sea level
Comment	3 x PTC 150°C
Cable entries	2 x M25x1,5 + 1 x M20x1,5 (ptc)
Feature	Cast-iron motor
Weight	25,0 kg
Catalog no.	11026110D
Warranty	12~18 months

Efficiency class	N/A			
Load data	100%	75%	50%	25%
Efficiency	74,1	73,8	70,4	56,3 %
Power factor	0,72	0,62	0,49	0,31
Sound pressure level (1m)				44,1 dB(A)
Resistance R20 (open)				5,83 Ω
Resistance R20	Y		11,66 Ω	
Full load torque				11,54 Nm
DOL Starting torque vs FL torque				2,20
DOL Pull up torque vs FL torque				1,53
DOL Pull out torque vs FL torque				2,83
Star-Delta Starting torque vs FL torque				Y - motor
Star-Delta Pull up torque vs FL torque				Y - motor
Star-Delta Pull out torque vs FL torque				Y - motor
DOL Starting current vs FL current				4,53
Star Delta Starting current vs FL current				Y - motor
Rotor Inertia				0,0035 kgm ²
Bearing DE				6205 - ZZ
Bearing NDE				6205 - ZZ

WI	Change	date	sign.
Dutchi Motors B.V. P.O. Box 5390 NL-6802 EJ ARNHEM Tel : +31-(0)26 - 3541 600 Fax : +31-(0)26 - 3541 650		Discription Drawing made by :	date sign. HvD
dutchi.motors@dutchi.nl www.dutchi.com		19-04-04	

Power is our commodity, the world is our market !



Specification **IEC 60034-1**
 Manufacturer **Dutchi Motors B.V.**
 Motor type **DM1- 90 L6**
 Rated power **1,1** kW **S1** duty
 Speed **910** r.p.m
 Voltage **230 / 400** V
 Frequency **50** Hz
 Connection **Δ / Y**
 Amps full load **5,17 / 2,98** A
 Amps no-load(400V) **2,10** A
 Enclosure **IP 55**
 Insulation Class **F (temp. rise B (80 K))**

Max. coolant temp. **40°C**
 Max. altitude **1.000** mtr, above sea level
 Comment **3 x PTC 150°C**
 Cable entries **2 x M25x1,5 + 1 x M20x1,5 (ptc)**

Feature **Cast-iron motor**
 Weight **25,0** kg
 Catalog no. **11326110D**
 Warranty **12~18 months**

Efficiency class **N/A**
 Load data 100% 75% 50% 25%
 Efficiency **74,1 73,8 70,4 56,3** %
 Power factor **0,72 0,62 0,49 0,31**

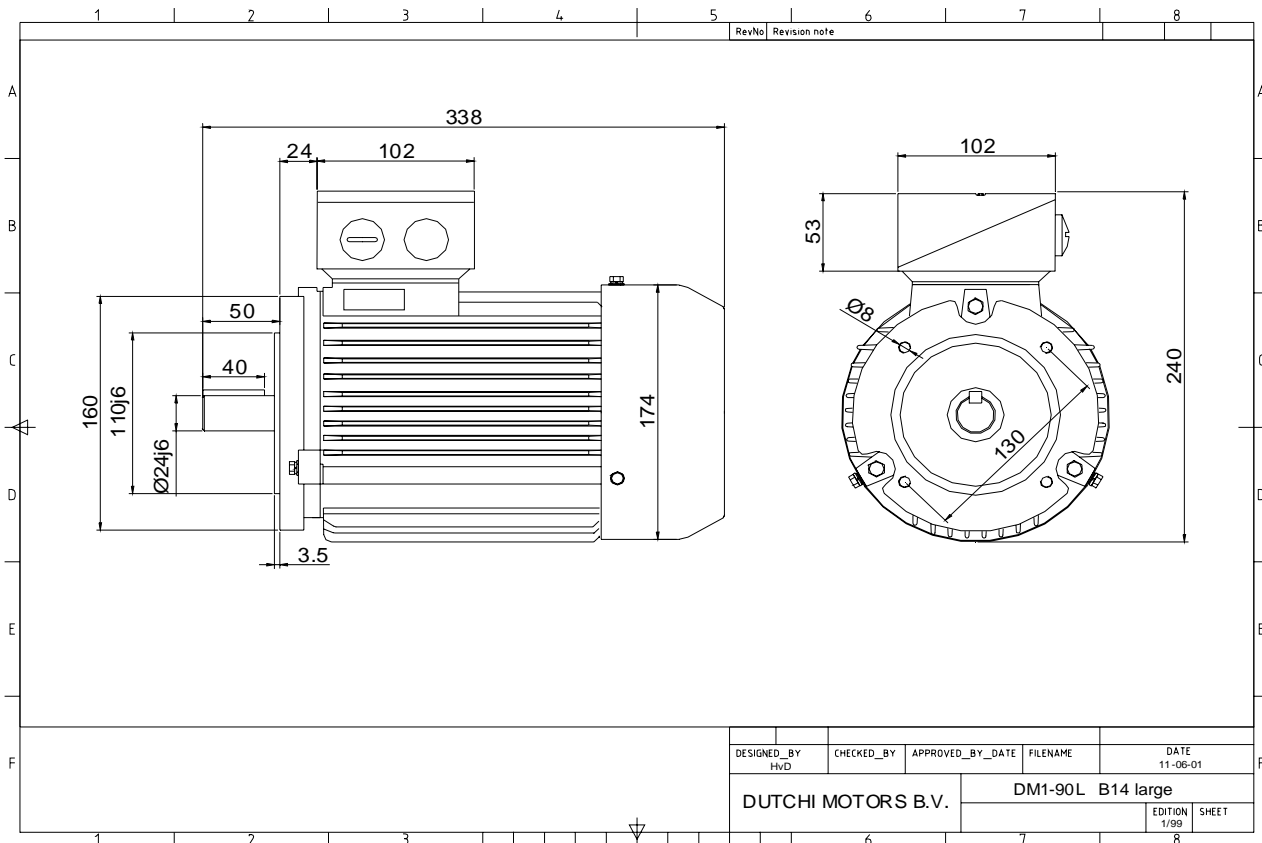
Sound pressure level (1m) **44,1** dB(A)
 Resistance R20 (open) **5,83** Ω
 Resistance R20 **Y 11,66** Ω

Full load torque **11,54** Nm
 DOL Starting torque vs FL torque **2,20**
 DOL Pull up torque vs FL torque **1,53**
 DOL Pull out torque vs FL torque **2,83**
 Star-Delta Starting torque vs FL torque **Y - motor**
 Star-Delta Pull up torque vs FL torque **Y - motor**
 Star-Delta Pull out torque vs FL torque **Y - motor**
 DOL Starting current vs FL current **4,53**
 Star Delta Starting current vs FL current **Y - motor**
 Rotor Inertia **0,0035** kgm²

Bearing DE **6205 - ZZ**
 Bearing NDE **6205 - ZZ**

WI	Change	date	sign.
Dutchi Motors B.V. P.O. Box 5390 NL-6802 EJ ARNHEM Tel : +31-(0)26 - 3541 600 Fax : +31-(0)26 - 3541 650	Description	date	sign.
	Drawing made by :	19-04-04	HvD
	dutchi.motors@dutchi.nl www.dutchi.com		

Power is our commodity, the world is our market !



Specification	IEC 60034-1
Manufacturer	Dutchi Motors B.V.
Motor type	DM1- 90 L6
Rated power	1,1 kW S1 duty
Speed	910 r.p.m
Voltage	230 / 400 V
Frequency	50 Hz
Connection	Δ / Y
Amps full load	5,17 / 2,98 A
Amps no-load(400V)	2,10 A
Enclosure	IP 55
Insulation Class	F (temp. rise B (80 K))
Max. coolant temp.	40°C
Max. altitude	1.000 mtr, above sea level
Comment	3 x PTC 150°C
Cable entries	2 x M25x1,5 + 1 x M20x1,5 (ptc)
Feature	Cast-iron motor
Weight	25,0 kg
Catalog no.	11426110D
Warranty	12~18 months

Efficiency class	N/A			
Load data	100%	75%	50%	25%
Efficiency	74,1	73,8	70,4	56,3 %
Power factor	0,72	0,62	0,49	0,31
Sound pressure level (1m)				44,1 dB(A)
Resistance R20 (open)				5,83 Ω
Resistance R20	Y		11,66	Ω
Full load torque				11,54 Nm
DOL Starting torque vs FL torque				2,20
DOL Pull up torque vs FL torque				1,53
DOL Pull out torque vs FL torque				2,83
Star-Delta Starting torque vs FL torque				Y - motor
Star-Delta Pull up torque vs FL torque				Y - motor
Star-Delta Pull out torque vs FL torque				Y - motor
DOL Starting current vs FL current				4,53
Star Delta Starting current vs FL current				Y - motor
Rotor Inertia				0,0035 kgm ²
Bearing DE				6205 - ZZ
Bearing NDE				6205 - ZZ

WI	Change	date	sign.
Dutchi Motors B.V. P.O. Box 5390 NL-6802 EJ ARNHEM Tel : +31-(0)26 - 3541 600 Fax : +31-(0)26 - 3541 650		Description	date
		Drawing made by :	19-04-04
		dutchi.motors@dutchi.nl www.dutchi.com	