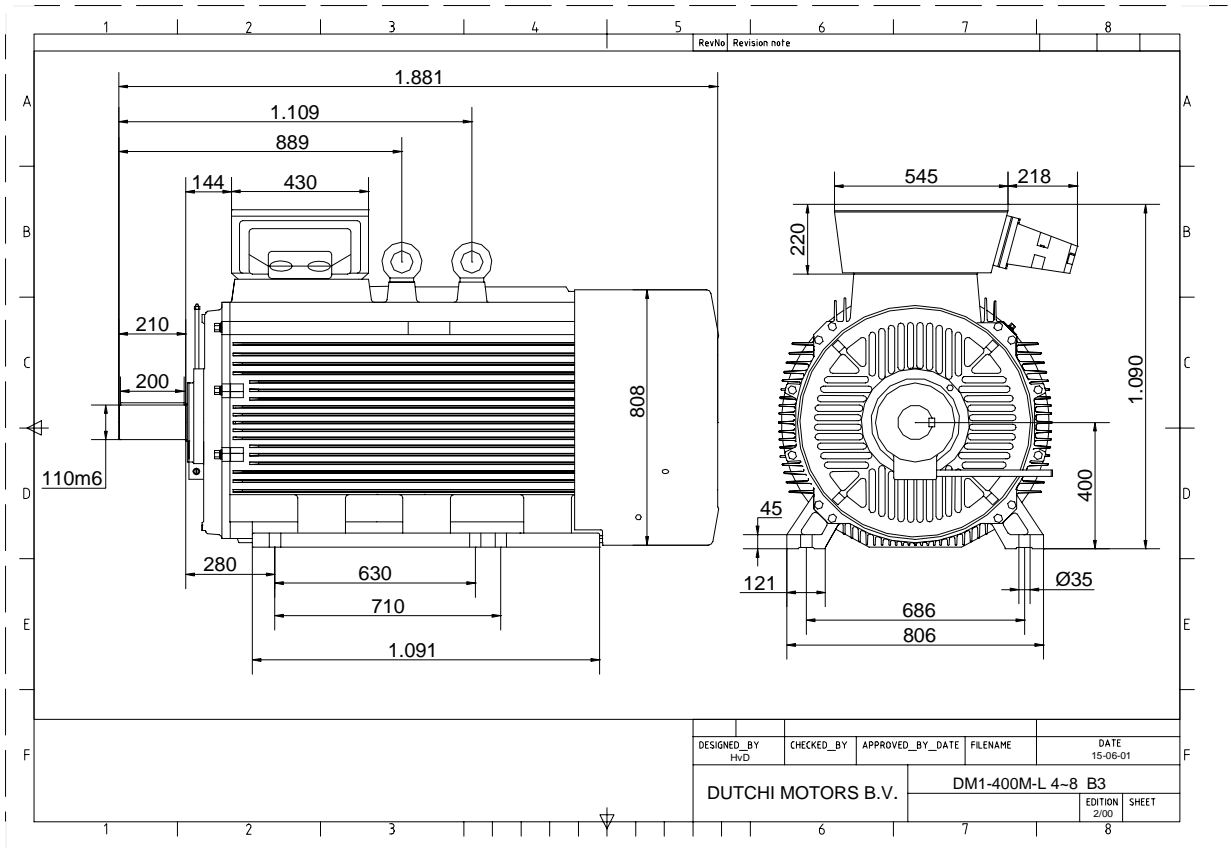


Power is our commodity, the world is our market !



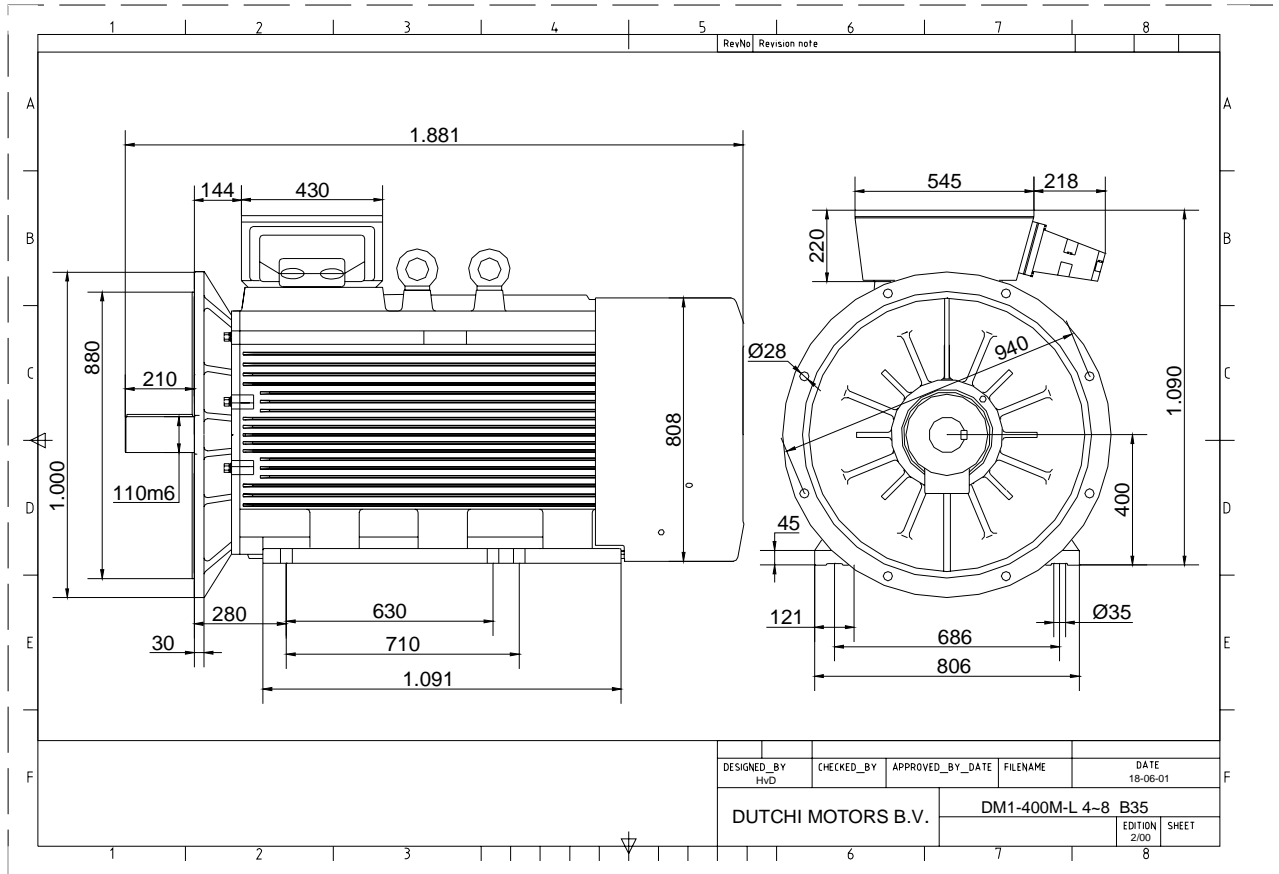
Specification	<b>IEC 60034-1</b>
Manufacturer	<b>Dutchi Motors B.V.</b>
Motor type	<b>DM1- 400 LZ6</b>
Rated power	<b>560</b> kW <b>S1</b> duty
Speed	<b>985</b> r.p.m
Voltage	<b>400 / 690</b> V
Frequency	<b>50</b> Hz
Connection	<b>Δ / Y</b>
Amps full load	<b>976 / 564</b> A
Amps no-load(400V)	<b>347</b> A
Enclosure	<b>IP 55</b>
Insulation Class	<b>F (temp. rise F)</b>
Max. coolant temp.	<b>40°C</b>
Max. altitude	<b>1.000</b> mtr, above sea level
Comment	<b>3 x PTC 150°C</b>
Cable entries	<b>2 x Ø 100 mm + 1 x M20x1,5 (ptc)</b>
Feature	<b>Cast-iron motor</b>
Weight	<b>4000</b> kg
Catalog no.	<b>11136F60D</b>
Warranty	<b>12~18 months</b>

Efficiency class	<b>N/A</b>			
Load data	100%	75%	50%	25%
Efficiency	<b>95,7</b>	<b>95,4</b>	<b>94,3</b>	<b>90,4</b> %
Power factor	<b>0,87</b>	<b>0,83</b>	<b>0,73</b>	<b>0,54</b>
Sound pressure level (1m)				<b>78,0</b> dB(A)
Resistance R20 (open)				<b>0,00296</b> Ω
Resistance R20	<b>Δ</b>			<b>0,00197</b> Ω
Full load torque				<b>5429</b> Nm
DOL Starting torque vs FL torque				<b>1,46</b>
DOL Pull up torque vs FL torque				<b>1,37</b>
DOL Pull out torque vs FL torque				<b>3,85</b>
Star-Delta Starting torque vs FL torque				<b>0,46</b>
Star-Delta Pull up torque vs FL torque				<b>0,43</b>
Star-Delta Pull out torque vs FL torque				<b>1,20</b>
DOL Starting current vs FL current				<b>7,18</b>
Star Delta Starting current vs FL current				<b>2,25</b>
Rotor Inertia				<b>24,00</b> kgm <sup>2</sup>
Bearing DE				<b>6326 - C3 or NU326</b>
Bearing NDE				<b>6326 - C3 (IM V1 7326B)</b>

<b>Extras / Options :</b>
<b>Terminal box with extra 7 x M63x1,5</b>

WI	Change	date	sign.
<b>Dutchi Motors B.V.</b>		Discription	date
P.O. Box 5390		Drawing made by :	19-04-04
NL-6802 EJ ARNHEM			
Tel : +31-(0)26 - 3541 600		<b>dutchi.motors@dutchi.nl</b>	
Fax : +31-(0)26 - 3541 650		<b>www.dutchi.com</b>	

Power is our commodity, the world is our market !



Specification	<b>IEC 60034-1</b>
Manufacturer	<b>Dutchi Motors B.V.</b>
Motor type	<b>DM1- 400 LZ6</b>
Rated power	<b>560</b> kW <b>S1</b> duty
Speed	<b>985</b> r.p.m
Voltage	<b>400</b> / <b>690</b> V
Frequency	<b>50</b> Hz
Connection	<b>Δ</b> / <b>Y</b>
Amps full load	<b>976</b> / <b>564</b> A
Amps no-load(400V)	<b>347</b> A
Enclosure	<b>IP 55</b>
Insulation Class	<b>F (temp. rise F)</b>

Max. coolant temp.	<b>40°C</b>
Max. altitude	<b>1.000</b> mtr, above sea level
Comment	<b>3 x PTC 150°C</b>
Cable entries	<b>2 x Ø 100 mm + 1 x M20x1,5 (ptc)</b>

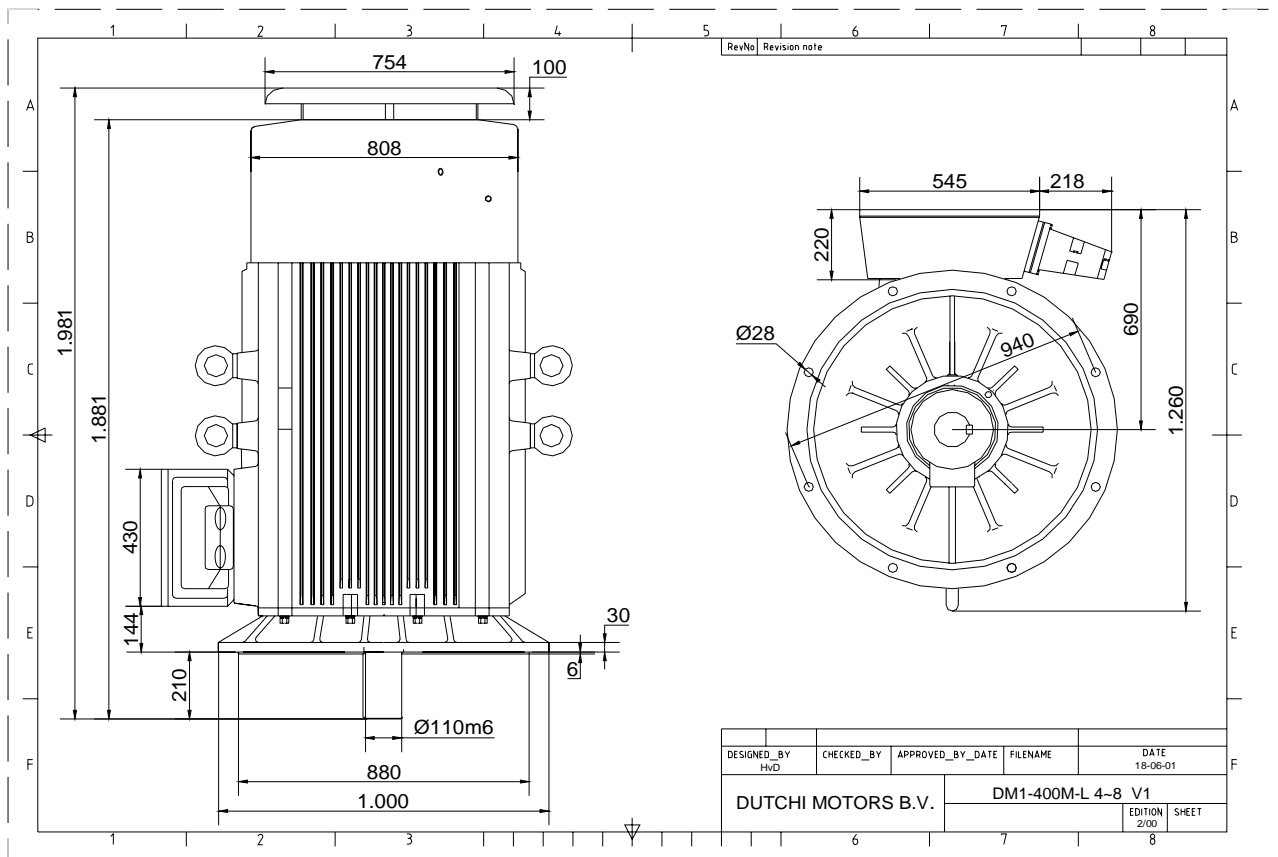
Feature	<b>Cast-iron motor</b>
Weight	<b>4000</b> kg
Catalog no.	<b>11536F60D</b>
Warranty	<b>12~18 months</b>

Efficiency class	<b>N/A</b>				
Load data	<b>100%</b>	<b>75%</b>	<b>50%</b>	<b>25%</b>	
Efficiency	<b>95,7</b>	<b>95,4</b>	<b>94,3</b>	<b>90,4</b>	%
Power factor	<b>0,87</b>	<b>0,83</b>	<b>0,73</b>	<b>0,54</b>	
Sound pressure level (1m)	<b>78,0</b>				dB(A)
Resistance R20 (open)	<b>0,00296</b>				Ω
Resistance R20	<b>0,00197</b>				Ω
Full load torque	<b>5429</b>				Nm
DOL Starting torque vs FL torque	<b>1,46</b>				
DOL Pull up torque vs FL torque	<b>1,37</b>				
DOL Pull out torque vs FL torque	<b>3,85</b>				
Star-Delta Starting torque vs FL torque	<b>0,46</b>				
Star-Delta Pull up torque vs FL torque	<b>0,43</b>				
Star-Delta Pull out torque vs FL torque	<b>1,20</b>				
DOL Starting current vs FL current	<b>7,18</b>				
Star Delta Starting current vs FL current	<b>2,25</b>				
Rotor Inertia	<b>24,00</b>				kgm <sup>2</sup>
Bearing DE	<b>6326 - C3 or NU326</b>				
Bearing NDE	<b>6326 - C3 (IM V1 7326B)</b>				

<b>Extras / Options :</b>
<b>Terminal box with extra 7 x M63x1,5</b>

WI	Change	date	sign.
<b>Dutchi Motors B.V.</b> P.O. Box 5390 NL-6802 EJ ARNHEM Tel : +31-(0)26 - 3541 600 Fax : +31-(0)26 - 3541 650		Discription Drawing made by :	date 19-04-04 sign. HvD
dutchi.motors@dutchi.nl www.dutchi.com			

Power is our commodity, the world is our market !



Specification	<b>IEC 60034-1</b>
Manufacturer	<b>Dutchi Motors B.V.</b>
Motor type	<b>DM1- 400 LZ6</b>
Rated power	<b>560</b> kW <b>S1</b> duty
Speed	<b>985</b> r.p.m
Voltage	<b>400 / 690</b> V
Frequency	<b>50</b> Hz
Connection	<b>Δ / Y</b>
Amps full load	<b>976 / 564</b> A
Amps no-load(400V)	<b>347</b> A
Enclosure	<b>IP 55</b>
Insulation Class	<b>F (temp. rise F)</b>
Max. coolant temp.	<b>40°C</b>
Max. altitude	<b>1.000</b> mtr, above sea level
Comment	<b>3 x PTC 150°C</b>
Cable entries	<b>2 x Ø 100 mm + 1 x M20x1,5 (ptc)</b>
Feature	<b>Cast-iron motor</b>
Weight	<b>4000</b> kg
Catalog no.	<b>11036F60D</b>
Warranty	<b>12~18 months</b>

Efficiency class	<b>N/A</b>			
Load data	100%	75%	50%	25%
Efficiency	<b>95,7</b>	<b>95,4</b>	<b>94,3</b>	<b>90,4</b> %
Power factor	<b>0,87</b>	<b>0,83</b>	<b>0,73</b>	<b>0,54</b>
Sound pressure level (1m)				<b>78,0</b> dB(A)
Resistance R20 (open)				<b>0,00296</b> Ω
Resistance R20	<b>Δ</b>			<b>0,00197</b> Ω
Full load torque				<b>5429</b> Nm
DOL Starting torque vs FL torque				<b>1,46</b>
DOL Pull up torque vs FL torque				<b>1,37</b>
DOL Pull out torque vs FL torque				<b>3,85</b>
Star-Delta Starting torque vs FL torque				<b>0,46</b>
Star-Delta Pull up torque vs FL torque				<b>0,43</b>
Star-Delta Pull out torque vs FL torque				<b>1,20</b>
DOL Starting current vs FL current				<b>7,18</b>
Star Delta Starting current vs FL current				<b>2,25</b>
Rotor Inertia				<b>24,00</b> kgm <sup>2</sup>
Bearing DE				<b>6326 - C3 or NU326</b>
Bearing NDE				<b>6326 - C3 (IM V1 7326B)</b>

<b>Extras / Options :</b>
<b>Terminal box with extra 7 x M63x1,5</b>

WI	Change	date	sign.
<b>Dutchi Motors B.V.</b>		Discription	date
P.O. Box 5390		Drawing made by :	19-04-04
NL-6802 EJ ARNHEM			
Tel : +31-(0)26 - 3541 600		<b>dutchi.motors@dutchi.nl</b>	
Fax : +31-(0)26 - 3541 650		<b>www.dutchi.com</b>	