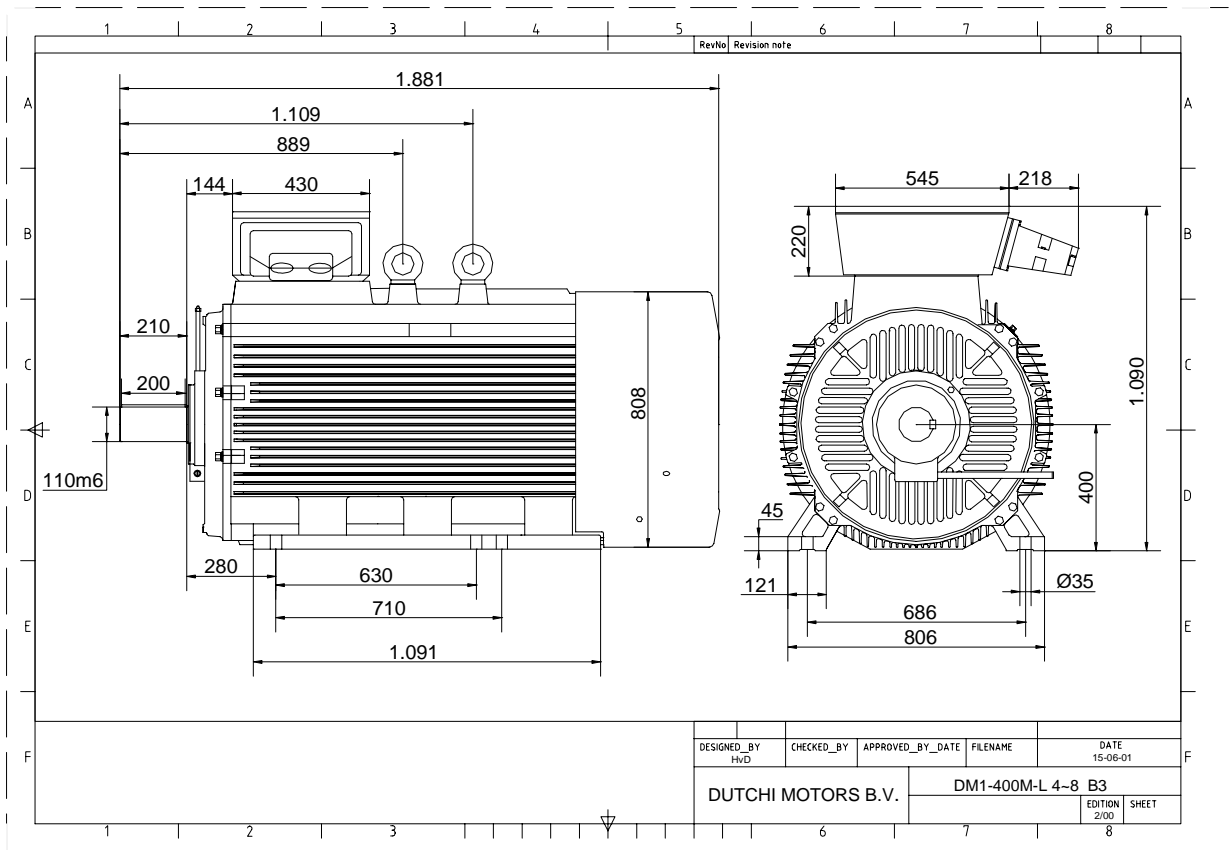


Power is our commodity, the world is our market !



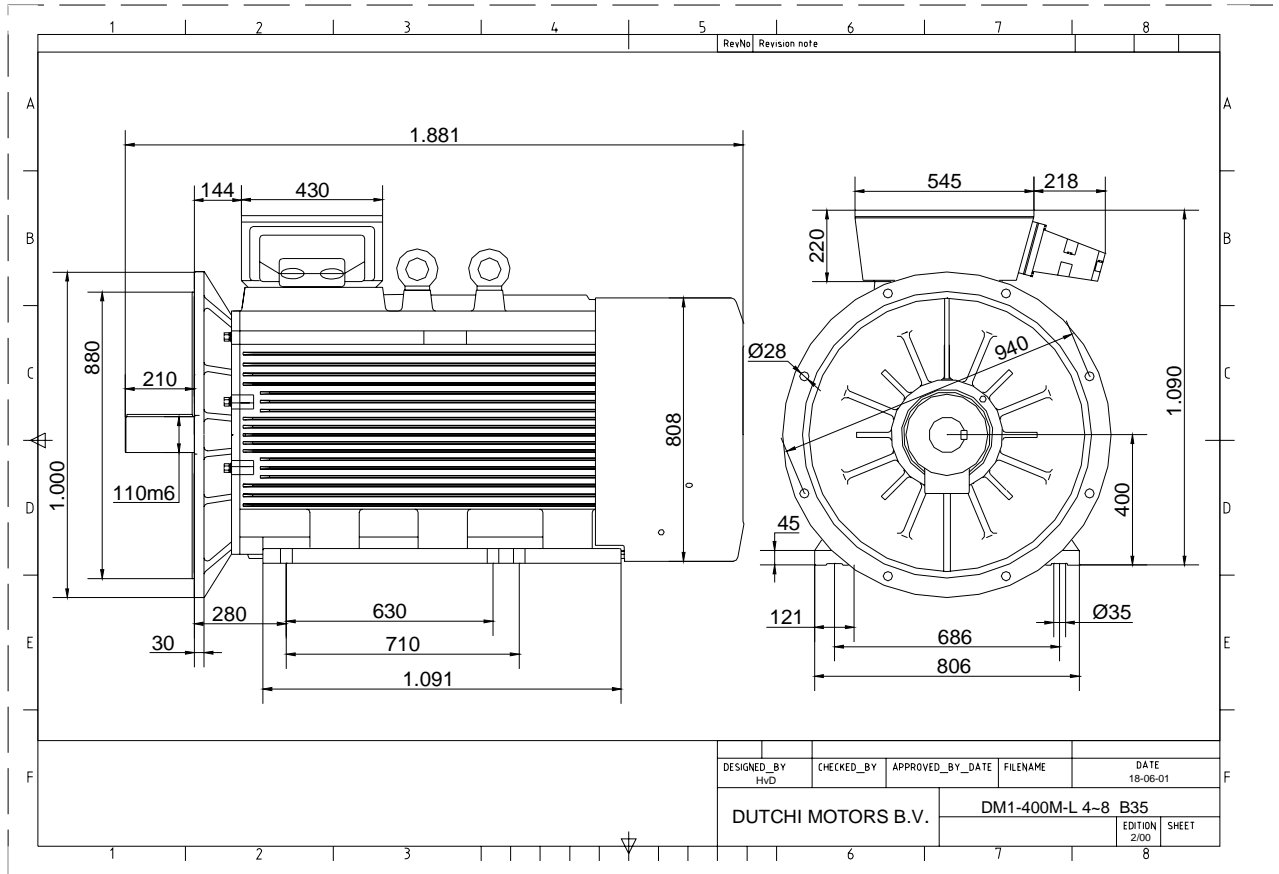
Specification	IEC 60034-1
Manufacturer	Dutchi Motors B.V.
Motor type	DM1- 400 L6
Rated power	400 kW S1 duty
Speed	990 r.p.m
Voltage	400 / 690 V
Frequency	50 Hz
Connection	Δ / Y
Amps full load	688 / 397 A
Amps no-load(400V)	247 A
Enclosure	IP 55
Insulation Class	F (temp. rise B (80 K))
Max. coolant temp.	40°C
Max. altitude	1.000 mtr, above sea level
Comment	3 x PTC 150°C
Cable entries	2 x Ø 100 mm + 1 x M20x1,5 (ptc)
Feature	Cast-iron motor
Weight	3800 kg
Catalog no.	11136E00D
Warranty	12~18 months

Efficiency class	N/A				
Load data	100%	75%	50%	25%	
Efficiency	95,5	95,2	94,3	90,4	%
Power factor	0,88	0,85	0,79	0,64	
Sound pressure level (1m)	95,2				dB(A)
Resistance R20 (open)	0,00443				Ω
Resistance R20	0,00295				Ω
Full load torque	3859				Nm
DOL Starting torque vs FL torque	1,48				
DOL Pull up torque vs FL torque	1,32				
DOL Pull out torque vs FL torque	3,55				
Star-Delta Starting torque vs FL torque	0,46				
Star-Delta Pull up torque vs FL torque	0,41				
Star-Delta Pull out torque vs FL torque	1,11				
DOL Starting current vs FL current	7,23				
Star Delta Starting current vs FL current	2,26				
Rotor Inertia	21,70				kgm ²
Bearing DE	6326 - C3 or NU326				
Bearing NDE	6326 - C3 (IM V1 7326B)				

Extras / Options :
Terminal box with extra 7 x M63x1,5

WI	Change	date	sign.
Dutchi Motors B.V.		Description	date
P.O. Box 5390		Drawing made by :	19-04-04
NL-6802 EJ ARNHEM			
Tel : +31-(0)26 - 3541 600		dutchi.motors@dutchi.nl	
Fax : +31-(0)26 - 3541 650		www.dutchi.com	

Power is our commodity, the world is our market !



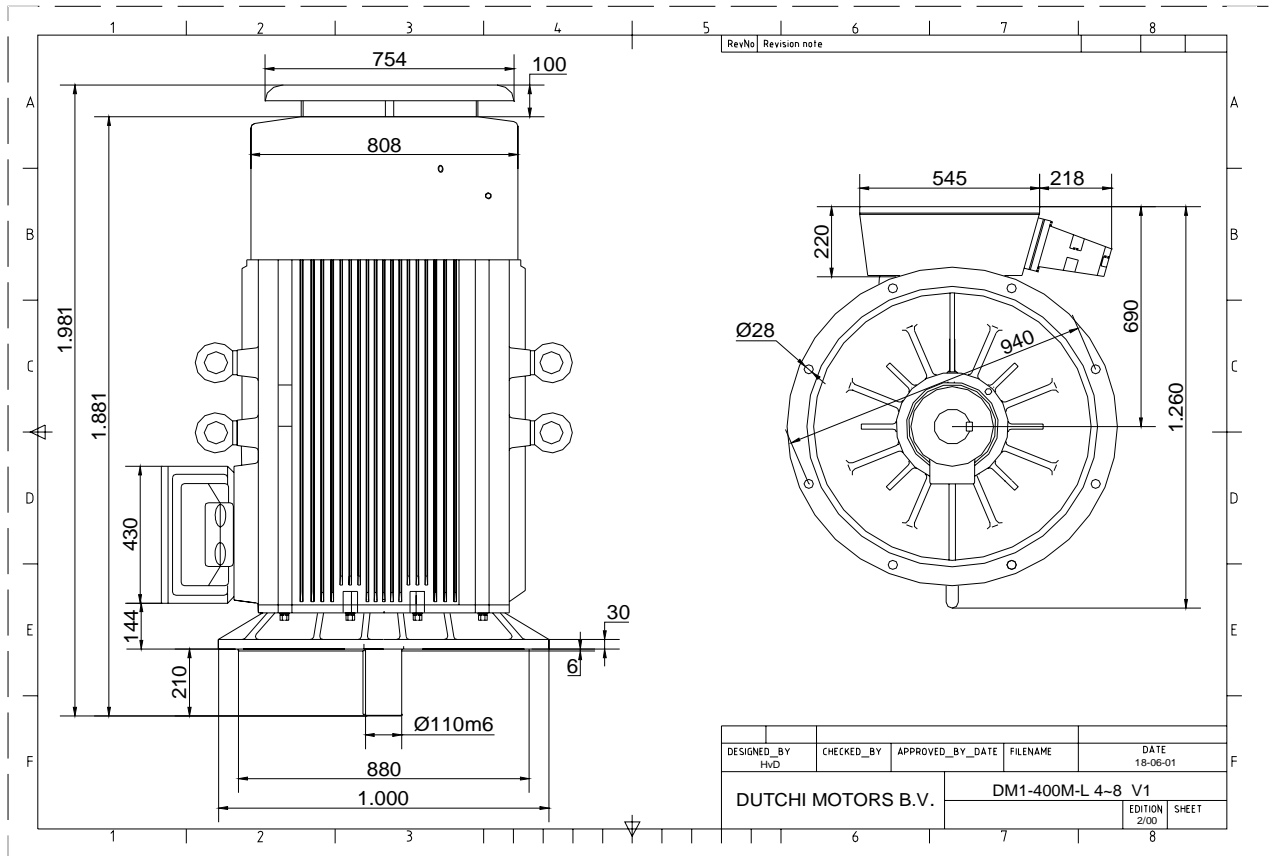
Specification	IEC 60034-1
Manufacturer	Dutchi Motors B.V.
Motor type	DM1- 400 L6
Rated power	400 kW S1 duty
Speed	990 r.p.m
Voltage	400 / 690 V
Frequency	50 Hz
Connection	Δ / Y
Amps full load	688 / 397 A
Amps no-load(400V)	247 A
Enclosure	IP 55
Insulation Class	F (temp. rise B (80 K))
Max. coolant temp.	40°C
Max. altitude	1.000 mtr, above sea level
Comment	3 x PTC 150°C
Cable entries	2 x Ø 100 mm + 1 x M20x1,5 (ptc)
Feature	Cast-iron motor
Weight	3800 kg
Catalog no.	11536E00D
Warranty	12~18 months

Efficiency class	N/A			
Load data	100%	75%	50%	25%
Efficiency	95,5	95,2	94,3	90,4 %
Power factor	0,88	0,85	0,79	0,64
Sound pressure level (1m)				95,2 dB(A)
Resistance R20 (open)				0,00443 Ω
Resistance R20	Δ			0,00295 Ω
Full load torque				3859 Nm
DOL Starting torque vs FL torque				1,48
DOL Pull up torque vs FL torque				1,32
DOL Pull out torque vs FL torque				3,55
Star-Delta Starting torque vs FL torque				0,46
Star-Delta Pull up torque vs FL torque				0,41
Star-Delta Pull out torque vs FL torque				1,11
DOL Starting current vs FL current				7,23
Star Delta Starting current vs FL current				2,26
Rotor Inertia				21,70 kgm ²
Bearing DE				6326 - C3 or NU326
Bearing NDE				6326 - C3 (IM V1 7326B)

Extras / Options :
Terminal box with extra 7 x M63x1,5

WI	Change	date	sign.
Dutchi Motors B.V.		Discription	date
P.O. Box 5390		Drawing made by :	19-04-04
NL-6802 EJ ARNHEM			
Tel : +31-(0)26 - 3541 600		dutchi.motors@dutchi.nl	
Fax : +31-(0)26 - 3541 650		www.dutchi.com	

Power is our commodity, the world is our market !



Specification	IEC 60034-1
Manufacturer	Dutchi Motors B.V.
Motor type	DM1- 400 L6
Rated power	400 kW S1 duty
Speed	990 r.p.m
Voltage	400 / 690 V
Frequency	50 Hz
Connection	Δ / Y
Amps full load	688 / 397 A
Amps no-load(400V)	247 A
Enclosure	IP 55
Insulation Class	F (temp. rise B (80 K))
Max. coolant temp.	40°C
Max. altitude	1.000 mtr, above sea level
Comment	3 x PTC 150°C
Cable entries	2 x Ø 100 mm + 1 x M20x1,5 (ptc)
Feature	Cast-iron motor
Weight	3800 kg
Catalog no.	11036E00D
Warranty	12~18 months

Efficiency class	N/A			
Load data	100%	75%	50%	25%
Efficiency	95,5	95,2	94,3	90,4 %
Power factor	0,88	0,85	0,79	0,64
Sound pressure level (1m)				95,2 dB(A)
Resistance R20 (open)				0,00443 Ω
Resistance R20	Δ			0,00295 Ω
Full load torque				3859 Nm
DOL Starting torque vs FL torque				1,48
DOL Pull up torque vs FL torque				1,32
DOL Pull out torque vs FL torque				3,55
Star-Delta Starting torque vs FL torque				0,46
Star-Delta Pull up torque vs FL torque				0,41
Star-Delta Pull out torque vs FL torque				1,11
DOL Starting current vs FL current				7,23
Star Delta Starting current vs FL current				2,26
Rotor Inertia				21,70 kgm ²
Bearing DE				6326 - C3 or NU326
Bearing NDE				6326 - C3 (IM V1 7326B)

Extras / Options :
Terminal box with extra 7 x M63x1,5

WI	Change	date	sign.
Dutchi Motors B.V.		Discription	date
P.O. Box 5390		Drawing made by :	19-04-04
NL-6802 EJ ARNHEM			
Tel : +31-(0)26 - 3541 600		dutchi.motors@dutchi.nl	
Fax : +31-(0)26 - 3541 650		www.dutchi.com	