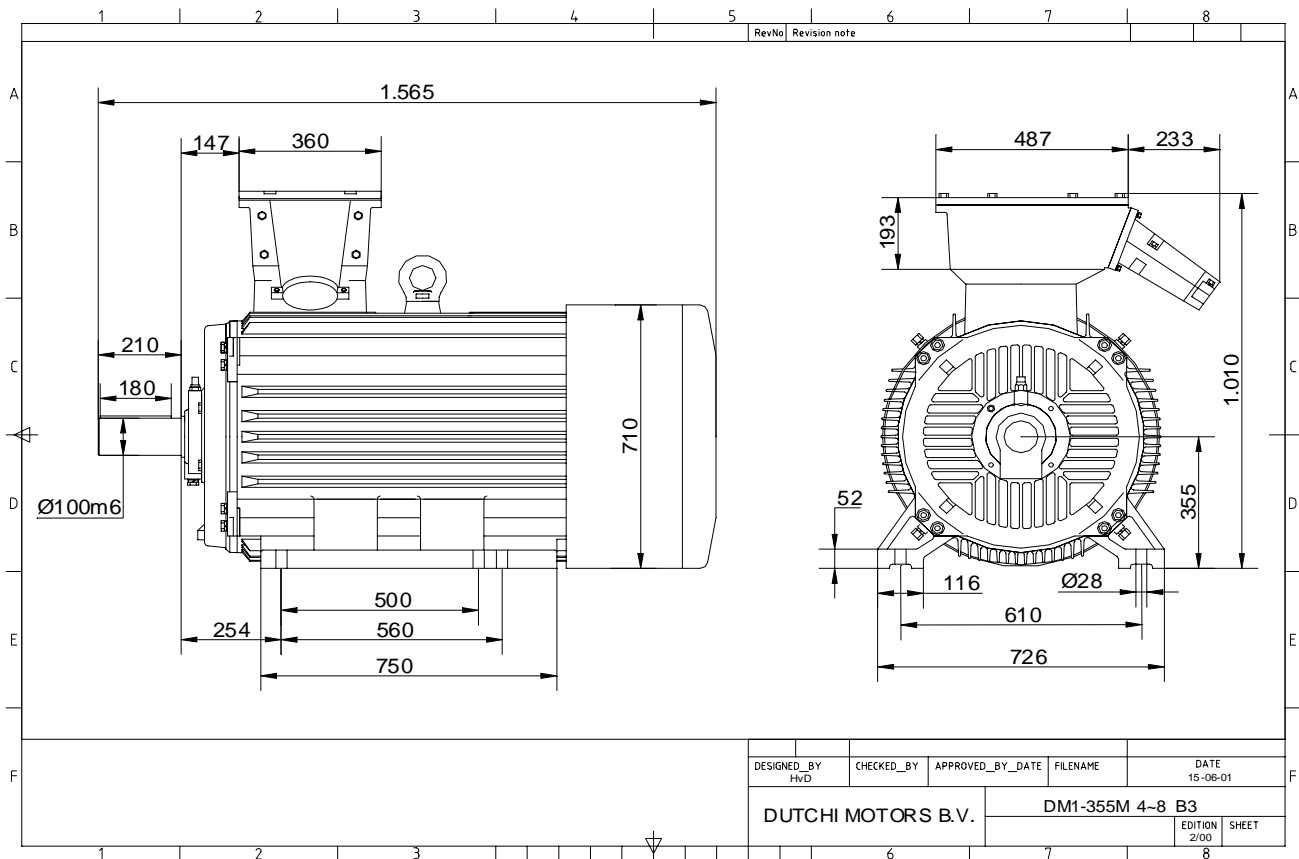


Power is our commodity, the world is our market !

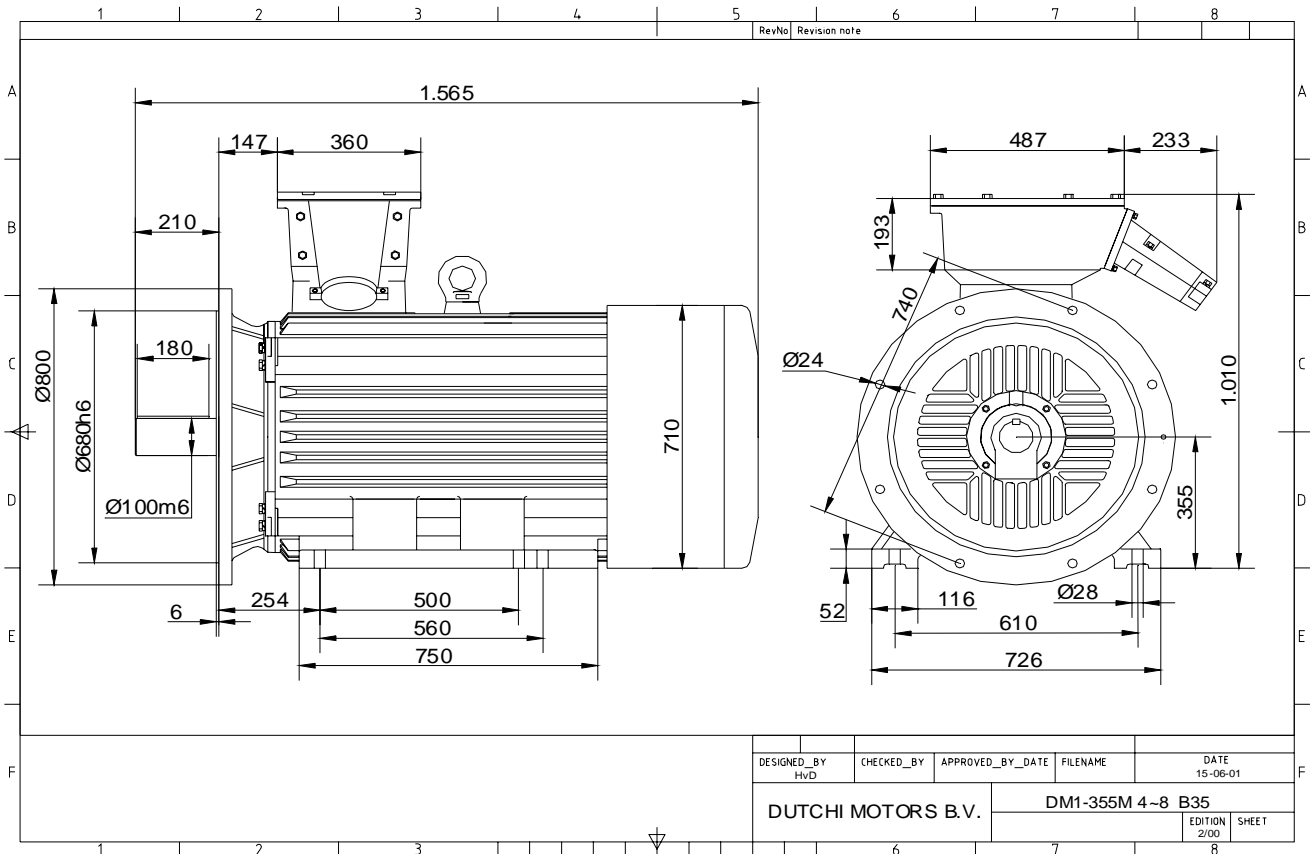


Specification	<b>IEC 60034-1</b>
Manufacturer	<b>Dutchi Motors B.V.</b>
Motor type	<b>DM1- 355 M6</b>
Rated power	<b>160</b> kW <b>S1</b> duty
Speed	<b>985</b> r.p.m
Voltage	<b>400</b> / <b>690</b> V
Frequency	<b>50</b> Hz
Connection	<b>Δ</b> / <b>Y</b>
Amps full load	<b>267</b> / <b>154</b> A
Amps no-load(400V)	<b>62,80</b> A
Enclosure	<b>IP 55</b>
Insulation Class	<b>F (temp. rise B (80 K))</b>
Max. coolant temp.	<b>40°C</b>
Max. altitude	<b>1.000</b> mtr, above sea level
Comment	<b>3 x PTC 150°C</b>
Cable entries	<b>2 x Ø 70 mm + 1 x M20x1,5 (ptc)</b>
Feature	<b>Cast-iron motor</b>
Weight	<b>1690</b> kg
Catalog no.	<b>11136B60D</b>
Warranty	<b>12~18 months</b>

Efficiency class	<b>N/A</b>			
Load data	100%	75%	50%	25%
Efficiency	<b>95,2</b>	<b>95,0</b>	<b>93,9</b>	<b>89,9</b> %
Power factor	<b>0,91</b>	<b>0,90</b>	<b>0,85</b>	<b>0,70</b>
Sound pressure level (1m)				<b>75,0</b> dB(A)
Resistance R20 (open)				<b>0,0190</b> Ω
Resistance R20	<b>Δ</b>			<b>0,0126</b> Ω
Full load torque				<b>1551,27</b> Nm
DOL Starting torque vs FL torque				<b>1,78</b>
DOL Pull up torque vs FL torque				<b>1,41</b>
DOL Pull out torque vs FL torque				<b>3,40</b>
Star-Delta Starting torque vs FL torque				<b>0,56</b>
Star-Delta Pull up torque vs FL torque				<b>0,44</b>
Star-Delta Pull out torque vs FL torque				<b>1,06</b>
DOL Starting current vs FL current				<b>7,25</b>
Star Delta Starting current vs FL current				<b>2,27</b>
Rotor Inertia				<b>9,266</b> kgm <sup>2</sup>
Bearing DE				<b>6322 - C3 or NU322</b>
Bearing NDE				<b>6320 - C3 (IM V1 7320B)</b>


WI	Change	date	sign.
<b>Dutchi Motors B.V.</b> P.O. Box 5390 NL-6802 EJ ARNHEM Tel : +31-(0)26 - 3541 600 Fax : +31-(0)26 - 3541 650		Discription Drawing made by :	date 27-04-04 sign. HVD
dutchi.motors@dutchi.nl www.dutchi.com			

Power is our commodity, the world is our market !



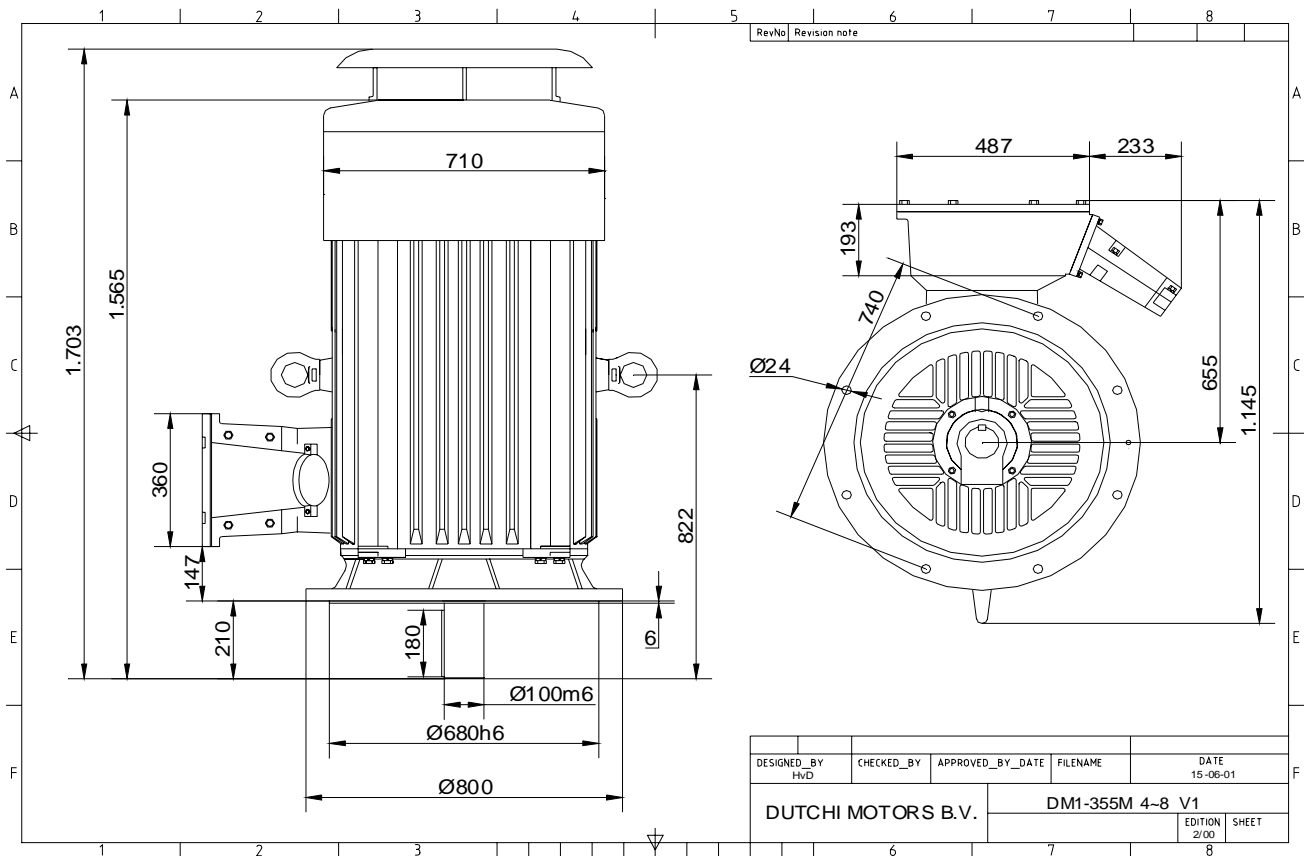
DESIGNED_BY HvD	CHECKED_BY	APPROVED_BY_DATE	FILENAME	DATE 15-06-01
DUTCHI MOTORS B.V.			DM1-355M 4~8 B35	
			EDITION 2/00	SHEET

Specification	<b>IEC 60034-1</b>
Manufacturer	<b>Dutchi Motors B.V.</b>
Motor type	<b>DM1- 355 M6</b>
Rated power	<b>160</b> kW <b>S1</b> duty
Speed	<b>985</b> r.p.m
Voltage	<b>400 / 690</b> V
Frequency	<b>50</b> Hz
Connection	<b>Δ / Y</b>
Amps full load	<b>267 / 154</b> A
Amps no-load(400V)	<b>62,80</b> A
Enclosure	<b>IP 55</b>
Insulation Class	<b>F (temp. rise B (80 K))</b>
Max. coolant temp.	<b>40°C</b>
Max. altitude	<b>1.000</b> mtr, above sea level
Comment	<b>3 x PTC 150°C</b>
Cable entries	<b>2 x Ø 70 mm + 1 x M20x1,5 (ptc)</b>
Feature	<b>Cast-iron motor</b>
Weight	<b>1690</b> kg
Catalog no.	<b>11536B60D</b>
Warranty	<b>12~18 months</b>

Efficiency class	<b>N/A</b>			
Load data	100%	75%	50%	25%
Efficiency	<b>95,2</b>	<b>95,0</b>	<b>93,9</b>	<b>89,9</b> %
Power factor	<b>0,91</b>	<b>0,90</b>	<b>0,85</b>	<b>0,70</b>
Sound pressure level (1m)	<b>75,0</b>			dB(A)
Resistance R20 (open)	<b>0,0190</b>			Ω
Resistance R20	<b>0,0126</b>			Ω
Full load torque	<b>1551,27</b>			Nm
DOL Starting torque vs FL torque	<b>1,78</b>			
DOL Pull up torque vs FL torque	<b>1,41</b>			
DOL Pull out torque vs FL torque	<b>3,40</b>			
Star-Delta Starting torque vs FL torque	<b>0,56</b>			
Star-Delta Pull up torque vs FL torque	<b>0,44</b>			
Star-Delta Pull out torque vs FL torque	<b>1,06</b>			
DOL Starting current vs FL current	<b>7,25</b>			
Star Delta Starting current vs FL current	<b>2,27</b>			
Rotor Inertia	<b>9,266</b>			kgm <sup>2</sup>
Bearing DE	<b>6322 - C3 or NU322</b>			
Bearing NDE	<b>6320 - C3 (IM V1 7320B)</b>			


WI	Change	date	sign.
Dutchi Motors B.V.		Description	date
P.O. Box 5390		Drawing made by :	27-04-04
NL-6802 EJ ARNHEM			
Tel : +31-(0)26 - 3541 600		dutchi.motors@dutchi.nl	
Fax : +31-(0)26 - 3541 650		www.dutchi.com	

Power is our commodity, the world is our market !



Specification **IEC 60034-1**  
 Manufacturer **Dutchi Motors B.V.**  
 Motor type **DM1- 355 M6**  
 Rated power **160** kW **S1** duty  
 Speed **985** r.p.m  
 Voltage **400 / 690** V  
 Frequency **50** Hz  
 Connection **Δ / Y**  
 Amps full load **267 / 154** A  
 Amps no-load(400V) **62,80** A  
 Enclosure **IP 55**  
 Insulation Class **F (temp. rise B (80 K))**

Max. coolant temp. **40°C**  
 Max. altitude **1.000** mtr, above sea level  
 Comment **3 x PTC 150°C**  
 Cable entries **2 x Ø 70 mm + 1 x M20x1,5 (ptc)**

Feature **Cast-iron motor**  
 Weight **1690** kg  
 Catalog no. **11036B60D**  
 Warranty **12~18 months**

Efficiency class **N/A**  
 Load data 100% 75% 50% 25%  
 Efficiency **95,2 95,0 93,9 89,9** %  
 Power factor **0,91 0,90 0,85 0,70**

Sound pressure level (1m) **75,0** dB(A)  
 Resistance R20 (open) **0,0190** Ω  
 Resistance R20 **Δ 0,0126** Ω

Full load torque **1551,27** Nm  
 DOL Starting torque vs FL torque **1,78**  
 DOL Pull up torque vs FL torque **1,41**  
 DOL Pull out torque vs FL torque **3,40**  
 Star-Delta Starting torque vs FL torque **0,56**  
 Star-Delta Pull up torque vs FL torque **0,44**  
 Star-Delta Pull out torque vs FL torque **1,06**  
 DOL Starting current vs FL current **7,25**  
 Star Delta Starting current vs FL current **2,27**  
 Rotor Inertia **9,266** kgm<sup>2</sup>

Bearing DE **6322 - C3 or NU322**  
 Bearing NDE **6320 - C3 (IM V1 7320B)**


WI	Change	date	sign.
Dutchi Motors B.V.		Description	date
P.O. Box 5390		Drawing made by :	27-04-04
NL-6802 EJ ARNHEM			
Tel : +31-(0)26 - 3541 600		dutchi.motors@dutchi.nl	
Fax : +31-(0)26 - 3541 650		www.dutchi.com	