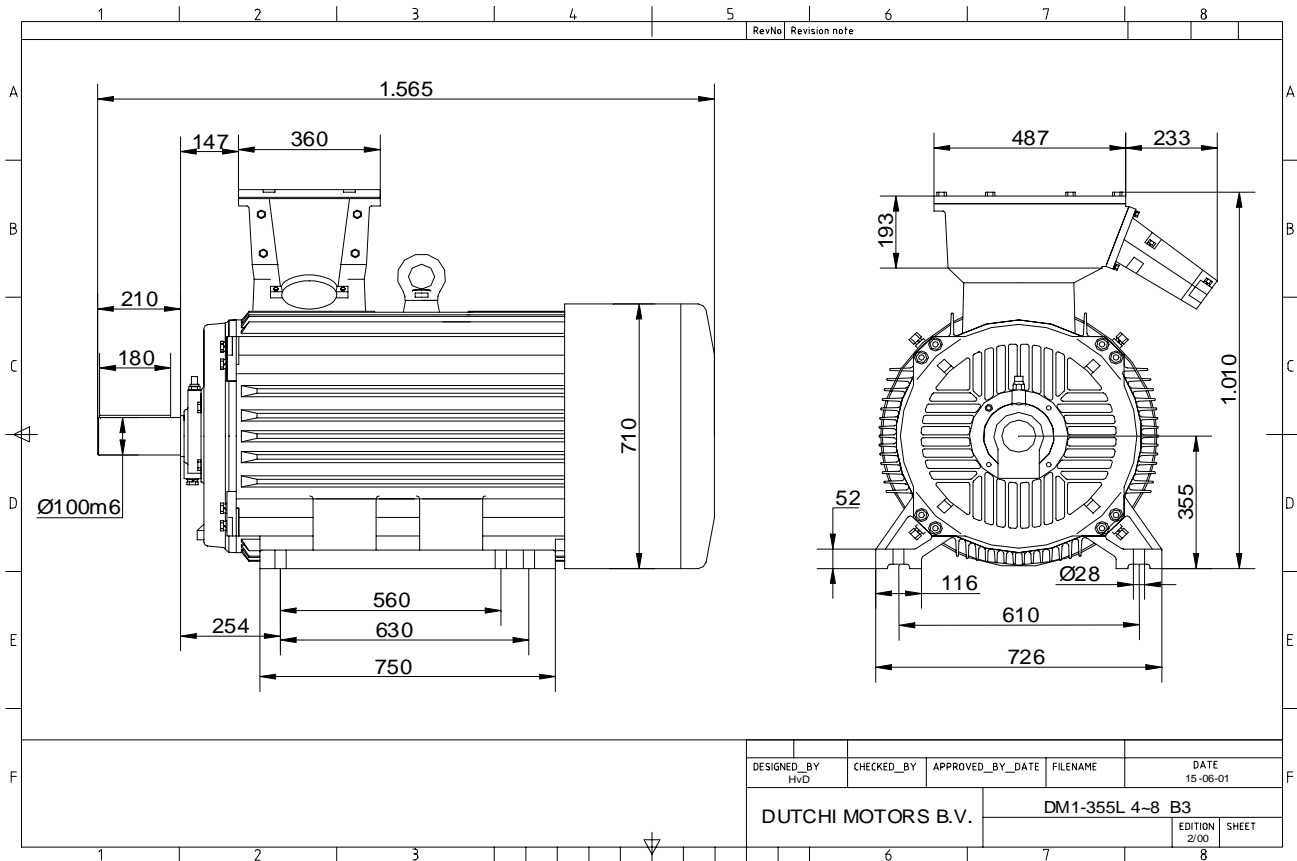


Power is our commodity, the world is our market !

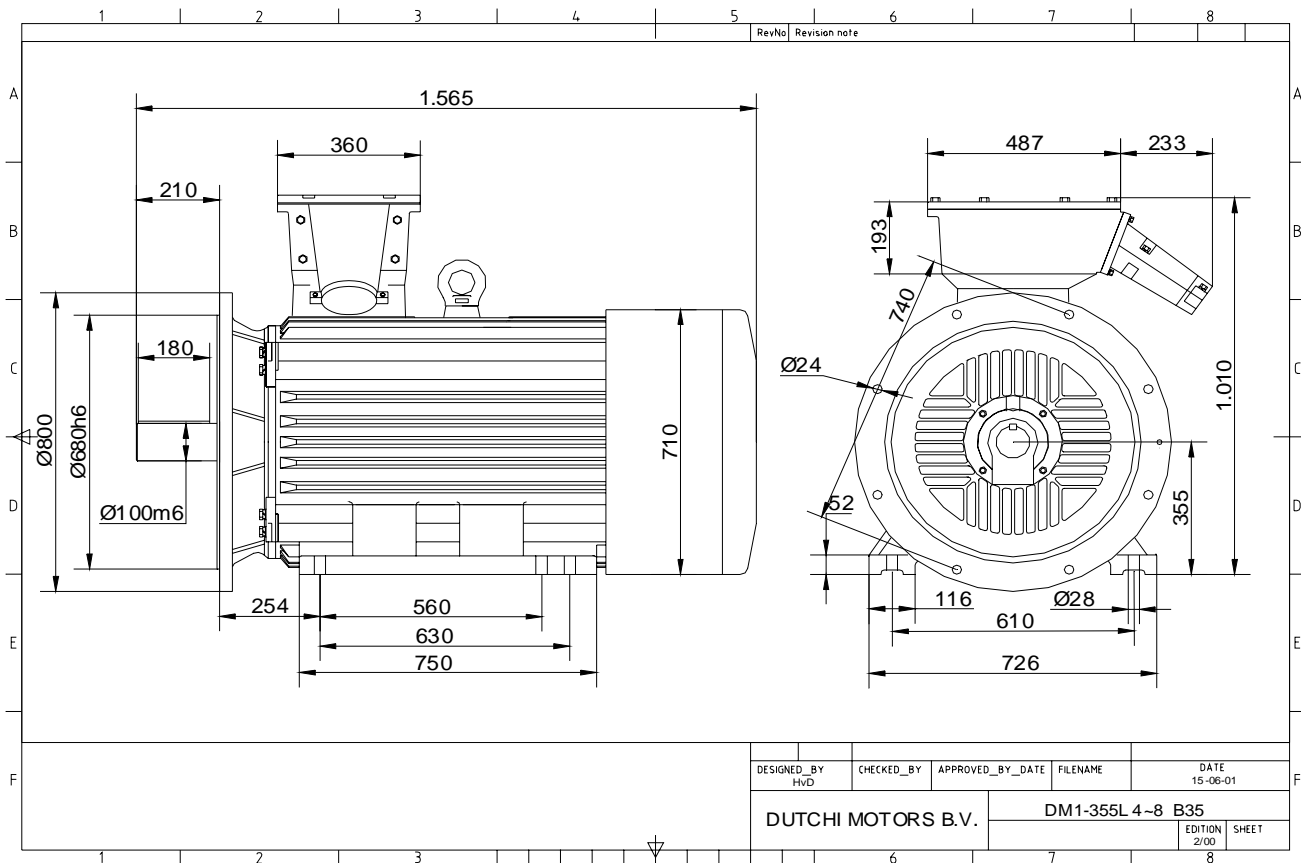


Specification	IEC 60034-1
Manufacturer	Dutchi Motors B.V.
Motor type	DM1- 355 L6
Rated power	225 kW S1 duty
Speed	990 r.p.m
Voltage	400 / 690 V
Frequency	50 Hz
Connection	Δ / Y
Amps full load	376 / 217 A
Amps no-load(400V)	89 A
Enclosure	IP 55
Insulation Class	F (temp. rise B (80 K))
Max. coolant temp.	40°C
Max. altitude	1.000 mtr, above sea level
Comment	3 x PTC 150°C
Cable entries	2 x Ø 70 mm + 1 x M20x1,5 (ptc)
Feature	Cast-iron motor
Weight	1900 kg
Catalog no.	11136C25D
Warranty	12~18 months

Efficiency class	N/A			
Load data	100%	75%	50%	25%
Efficiency	95,6	95,5	94,8	91,6 %
Power factor	0,90	0,90	0,85	0,69
Sound pressure level (1m)				71,2 dB(A)
Resistance R20 (open)				0,01201 Ω
Resistance R20	Δ			0,00800 Ω
Full load torque				2170 Nm
DOL Starting torque vs FL torque				1,67
DOL Pull up torque vs FL torque				1,35
DOL Pull out torque vs FL torque				3,15
Star-Delta Starting torque vs FL torque				0,52
Star-Delta Pull up torque vs FL torque				0,42
Star-Delta Pull out torque vs FL torque				0,99
DOL Starting current vs FL current				6,93
Star Delta Starting current vs FL current				2,17
Rotor Inertia				10,83 kgm ²
Bearing DE				6322 - C3 or NU322
Bearing NDE				6322 - C3 (IM V1 7322B)

WI	Change	date	sign.
Dutchi Motors B.V. P.O. Box 5390 NL-6802 EJ ARNHEM Tel : +31-(0)26 - 3541 600 Fax : +31-(0)26 - 3541 650		Discription Drawing made by :	date sign. HvD
dutchi.motors@dutchi.nl www.dutchi.com		27-04-04	

Power is our commodity, the world is our market !



Specification **IEC 60034-1**
 Manufacturer **Dutchi Motors B.V.**
 Motor type **DM1- 355 L6**
 Rated power **225** kW **S1** duty
 Speed **990** r.p.m
 Voltage **400** / **690** V
 Frequency **50** Hz
 Connection **Δ** / **Y**
 Amps full load **376** / **217** A
 Amps no-load(400V) **89** A
 Enclosure **IP 55**
 Insulation Class **F (temp. rise B (80 K))**

Max. coolant temp. **40°C**
 Max. altitude **1.000** mtr, above sea level
 Comment **3 x PTC 150°C**
 Cable entries **2 x Ø 70 mm + 1 x M20x1,5 (ptc)**

Feature **Cast-iron motor**
 Weight **1900** kg
 Catalog no. **11536C25D**
 Warranty **12~18 months**

Efficiency class **N/A**
 Load data 100% 75% 50% 25%
 Efficiency **95,6 95,5 94,8 91,6** %
 Power factor **0,90 0,90 0,85 0,69**

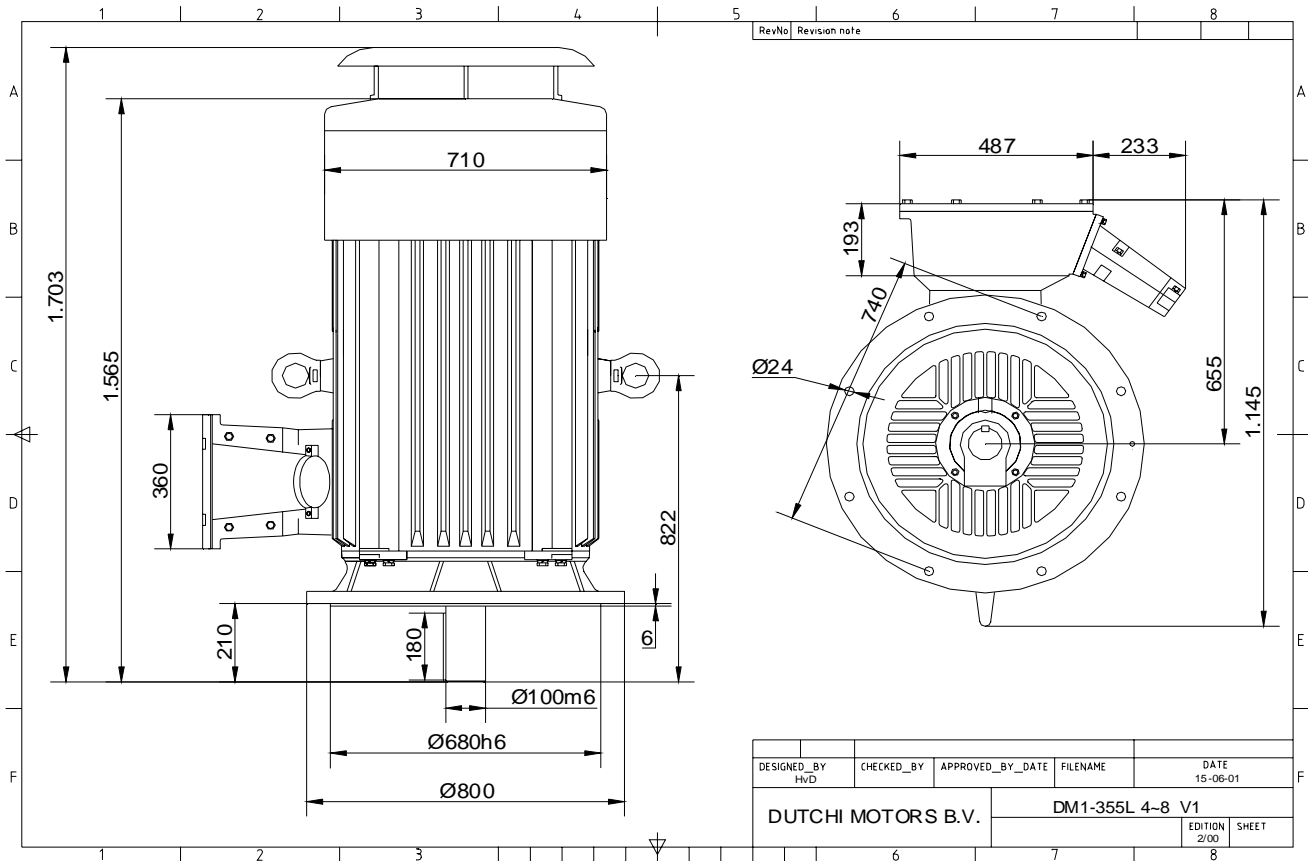
Sound pressure level (1m) **71,2** dB(A)
 Resistance R20 (open) **0,01201** Ω
 Resistance R20 **Δ 0,00800** Ω

Full load torque **2170** Nm
 DOL Starting torque vs FL torque **1,67**
 DOL Pull up torque vs FL torque **1,35**
 DOL Pull out torque vs FL torque **3,15**
 Star-Delta Starting torque vs FL torque **0,52**
 Star-Delta Pull up torque vs FL torque **0,42**
 Star-Delta Pull out torque vs FL torque **0,99**
 DOL Starting current vs FL current **6,93**
 Star Delta Starting current vs FL current **2,17**
 Rotor Inertia **10,83** kgm²

Bearing DE **6322 - C3 or NU322**
 Bearing NDE **6322 - C3 (IM V1 7322B)**

WI	Change	date	sign.
Dutchi Motors B.V.		Description	date
P.O. Box 5390		Drawing made by :	27-04-04
NL-6802 EJ ARNHEM			
Tel : +31-(0)26 - 3541 600		dutchi.motors@dutchi.nl	
Fax : +31-(0)26 - 3541 650		www.dutchi.com	

Power is our commodity, the world is our market !



Specification	IEC 60034-1
Manufacturer	Dutchi Motors B.V.
Motor type	DM1- 355 L6
Rated power	225 kW S1 duty
Speed	990 r.p.m
Voltage	400 / 690 V
Frequency	50 Hz
Connection	Δ / Y
Amps full load	376 / 217 A
Amps no-load(400V)	89 A
Enclosure	IP 55
Insulation Class	F (temp. rise B (80 K))
Max. coolant temp.	40°C
Max. altitude	1.000 mtr, above sea level
Comment	3 x PTC 150°C
Cable entries	2 x Ø 70 mm + 1 x M20x1,5 (ptc)
Feature	Cast-iron motor
Weight	1900 kg
Catalog no.	11036C25D
Warranty	12~18 months

Efficiency class	N/A			
Load data	100%	75%	50%	25%
Efficiency	95,6	95,5	94,8	91,6 %
Power factor	0,90	0,90	0,85	0,69
Sound pressure level (1m)				71,2 dB(A)
Resistance R20 (open)				0,01201 Ω
Resistance R20	Δ			0,00800 Ω
Full load torque				2170 Nm
DOL Starting torque vs FL torque				1,67
DOL Pull up torque vs FL torque				1,35
DOL Pull out torque vs FL torque				3,15
Star-Delta Starting torque vs FL torque				0,52
Star-Delta Pull up torque vs FL torque				0,42
Star-Delta Pull out torque vs FL torque				0,99
DOL Starting current vs FL current				6,93
Star Delta Starting current vs FL current				2,17
Rotor Inertia				10,83 kgm ²
Bearing DE				6322 - C3 or NU322
Bearing NDE				6322 - C3 (IM V1 7322B)

WI	Change	date	sign.
Dutchi Motors B.V.		Discription	date
P.O. Box 5390		Drawing made by :	27-04-04
NL-6802 EJ ARNHEM			
Tel : +31-(0)26 - 3541 600		dutchi.motors@dutchi.nl	
Fax : +31-(0)26 - 3541 650		www.dutchi.com	