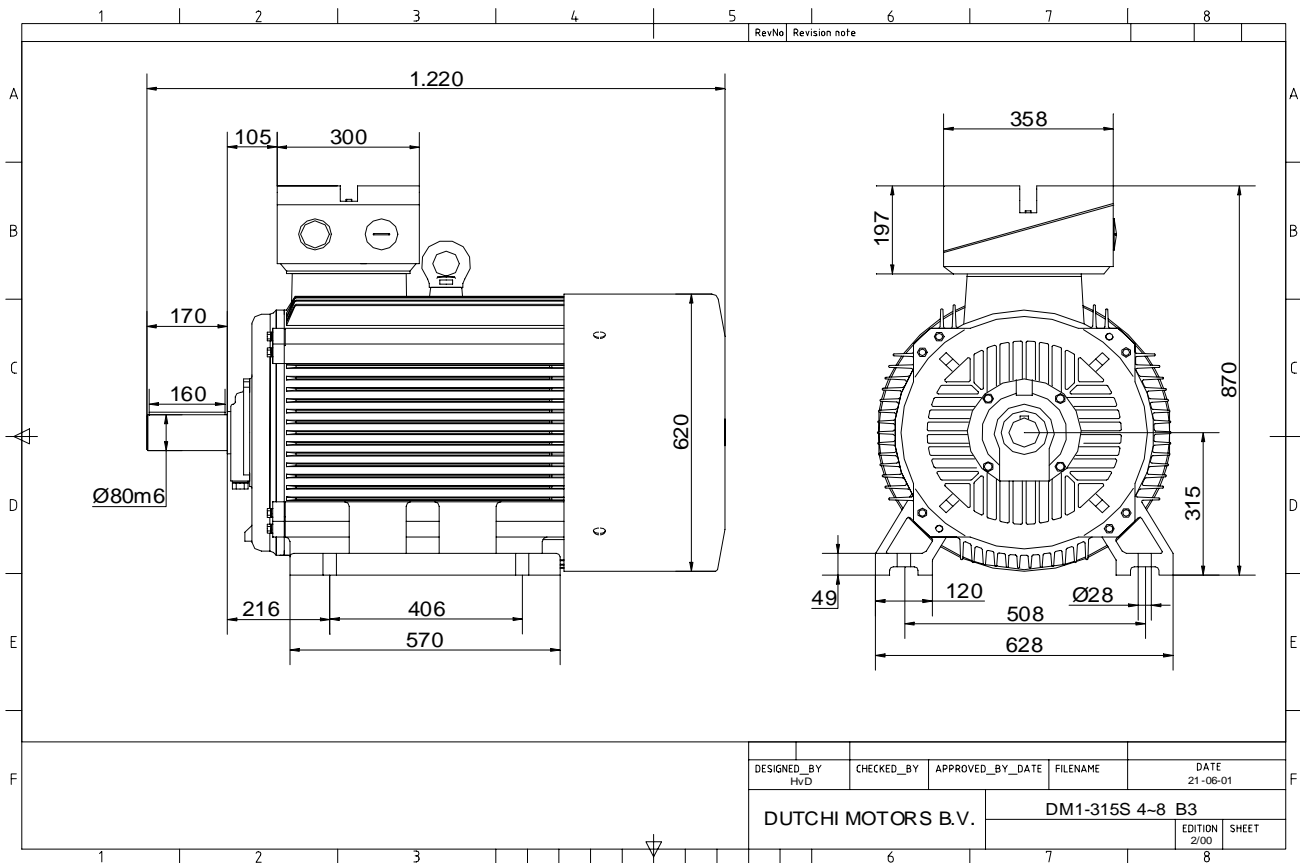


Power is our commodity, the world is our market !



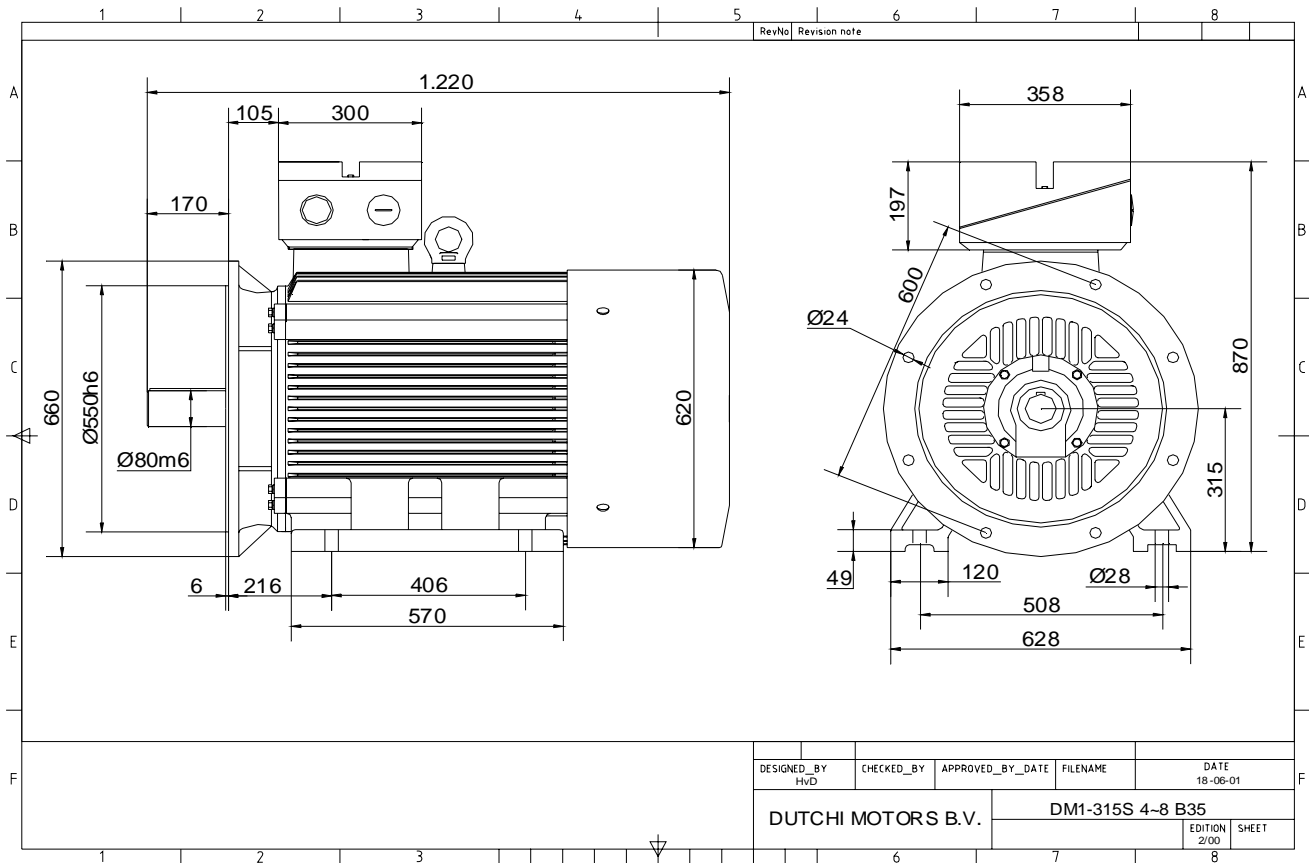
|                    |  |
|--------------------|--|
| Specification      | <b>IEC 60034-1</b>                     |
| Manufacturer       | <b>Dutchi Motors B.V.</b>              |
| Motor type         | <b>DM1- 315 S6</b>                     |
| Rated power        | <b>75</b> kW <b>S1</b> duty            |
| Speed              | <b>985</b> r.p.m                       |
| Voltage            | <b>400 / 690</b> V                     |
| Frequency          | <b>50</b> Hz                           |
| Connection         | <b>Δ / Y</b>                           |
| Amps full load     | <b>136 / 78</b> A                      |
| Amps no-load(400V) | <b>45,80</b> A                         |
| Enclosure          | <b>IP 55</b>                           |
| Insulation Class   | <b>F (temp. rise B (80 K))</b>         |
| Max. coolant temp. | <b>40°C</b>                            |
| Max. altitude      | <b>1.000</b> mtr, above sea level      |
| Comment            | <b>3 x PTC 150°C</b>                   |
| Cable entries      | <b>2 x M63x1,5 + 1 x M20x1,5 (ptc)</b> |
| Feature            | <b>Cast-iron motor</b>                 |
| Weight             | <b>861</b> kg                          |
| Catalog no.        | <b>11136A75D</b>                       |
| Warranty           | <b>12~18 months</b>                    |

|   |             |             |             |                                |
|---|-------------|-------------|-------------|--------------------------------|
| Efficiency class                          | <b>N/A</b>  |             |             |                                |
| Load data                                 | 100%        | 75%         | 50%         | 25%                            |
| Efficiency                                | <b>93,5</b> | <b>93,0</b> | <b>91,4</b> | <b>85,9</b> %                  |
| Power factor                              | <b>0,85</b> | <b>0,83</b> | <b>0,75</b> | <b>0,58</b>                    |
| Sound pressure level (1m)                 |             |             |             | <b>70,3</b> dB(A)              |
| Resistance R20 (open)                     |             |             |             | <b>0,0581</b> Ω                |
| Resistance R20                            | <b>Δ</b>    |             |             | <b>0,0387</b> Ω                |
| Full load torque                          |             |             |             | <b>727,16</b> Nm               |
| DOL Starting torque vs FL torque          |             |             |             | <b>1,80</b>                    |
| DOL Pull up torque vs FL torque           |             |             |             | <b>1,53</b>                    |
| DOL Pull out torque vs FL torque          |             |             |             | <b>2,92</b>                    |
| Star-Delta Starting torque vs FL torque   |             |             |             | <b>0,56</b>                    |
| Star-Delta Pull up torque vs FL torque    |             |             |             | <b>0,48</b>                    |
| Star-Delta Pull out torque vs FL torque   |             |             |             | <b>0,91</b>                    |
| DOL Starting current vs FL current        |             |             |             | <b>5,97</b>                    |
| Star Delta Starting current vs FL current |             |             |             | <b>1,87</b>                    |
| Rotor Inertia                             |             |             |             | <b>3,940</b> kgm <sup>2</sup>  |
| Bearing DE                                |             |             |             | <b>6319 - C3 or NU319</b>      |
| Bearing NDE                               |             |             |             | <b>6319 - C3 (IM V1 7319B)</b> |

|  |
|--|
|  |
|  |
|  |
|  |
|  |
|  |
|  |
|  |

|   |        |   |                      |
|---|--------|---|----------------------|
| WI  | Change | date                                      | sign.                |
|   |        |   |                      |
| <b>Dutchi Motors B.V.</b><br>P.O. Box 5390<br>NL-6802 EJ ARNHEM<br>Tel : +31-(0)26 - 3541 600<br>Fax : +31-(0)26 - 3541 650 |        | Discription<br>Drawing made by :          | date<br>sign.<br>HVD |
|   |        | 27-04-04                                  |                      |
|   |        | dutchi.motors@dutchi.nl<br>www.dutchi.com |                      |

Power is our commodity, the world is our market !



Specification **IEC 60034-1**  
 Manufacturer **Dutchi Motors B.V.**  
 Motor type **DM1- 315 S6**  
 Rated power **75** kW **S1** duty  
 Speed **985** r.p.m  
 Voltage **400 / 690** V  
 Frequency **50** Hz  
 Connection **Δ / Y**  
 Amps full load **136 / 78** A  
 Amps no-load(400V) **45,80** A  
 Enclosure **IP 55**  
 Insulation Class **F (temp. rise B (80 K))**

Max. coolant temp. **40°C**  
 Max. altitude **1.000** mtr, above sea level  
 Comment **3 x PTC 150°C**  
 Cable entries **2 x M63x1,5 + 1 x M20x1,5 (ptc)**

Feature **Cast-iron motor**  
 Weight **861** kg  
 Catalog no. **11536A75D**  
 Warranty **12~18 months**

Efficiency class **N/A**  
 Load data 100% 75% 50% 25%  
 Efficiency **93,5 93,0 91,4 85,9** %  
 Power factor **0,85 0,83 0,75 0,58**

Sound pressure level (1m) **70,3** dB(A)  
 Resistance R20 (open) **0,0581** Ω  
 Resistance R20 **Δ 0,0387** Ω

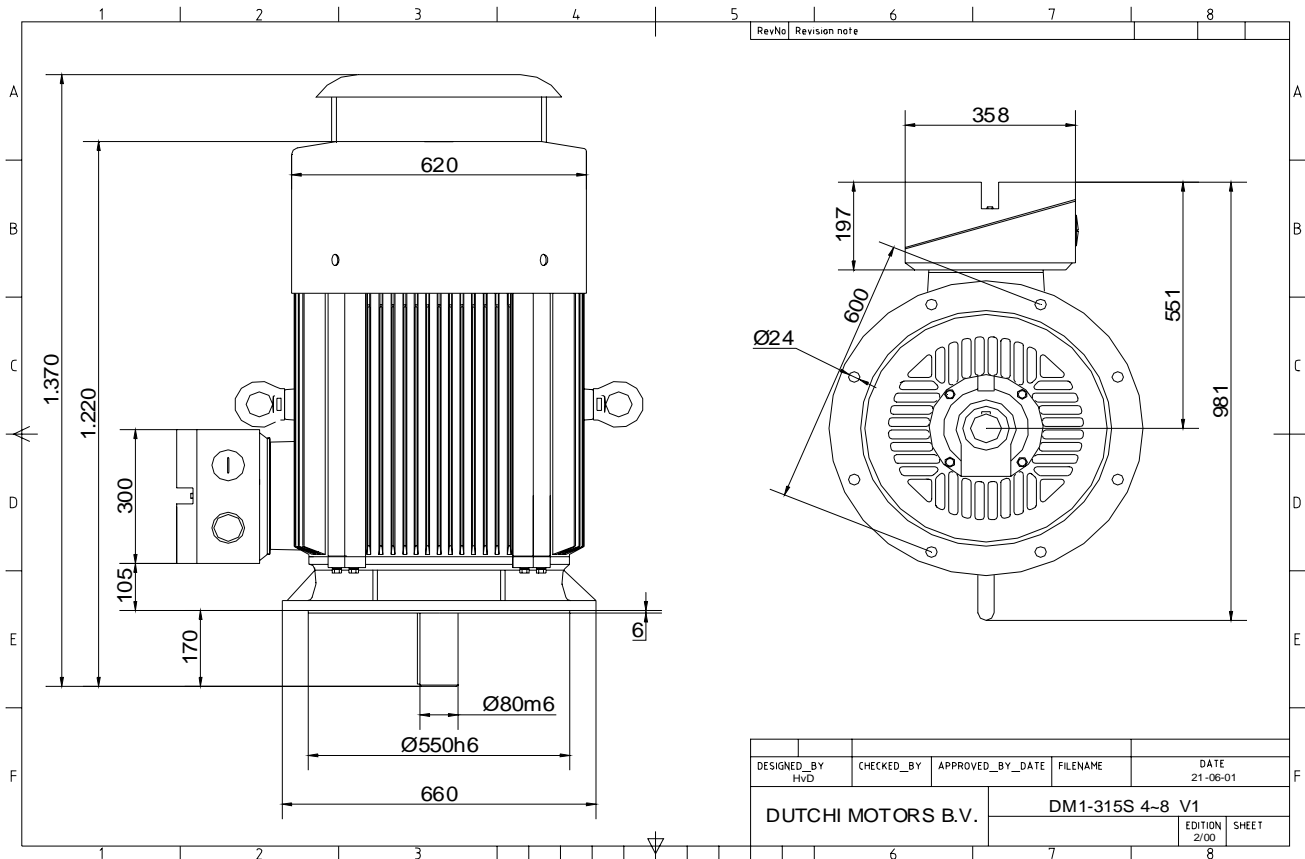
Full load torque **727,16** Nm  
 DOL Starting torque vs FL torque **1,80**  
 DOL Pull up torque vs FL torque **1,53**  
 DOL Pull out torque vs FL torque **2,92**  
 Star-Delta Starting torque vs FL torque **0,56**  
 Star-Delta Pull up torque vs FL torque **0,48**  
 Star-Delta Pull out torque vs FL torque **0,91**  
 DOL Starting current vs FL current **5,97**  
 Star Delta Starting current vs FL current **1,87**  
 Rotor Inertia **3,940** kgm<sup>2</sup>

Bearing DE **6319 - C3 or NU319**  
 Bearing NDE **6319 - C3 (IM V1 7319B)**

|  |
|--|
|  |
|  |
|  |
|  |
|  |
|  |
|  |
|  |

|  |        |   |                                  |
|--|--------|---|----------------------------------|
| WI   | Change | date                                      | sign.                            |
|  |        |   |                                  |
| Dutchi Motors B.V.<br>P.O. Box 5390<br>NL-6802 EJ ARNHEM<br>Tel : +31-(0)26 - 3541 600<br>Fax : +31-(0)26 - 3541 650 |        | Description<br>Drawing made by : 27-04-04 | date<br>27-04-04<br>sign.<br>HvD |
|  |        | dutchi.motors@dutchi.nl<br>www.dutchi.com |                                  |

Power is our commodity, the world is our market !



Specification **IEC 60034-1**  
 Manufacturer **Dutchi Motors B.V.**  
 Motor type **DM1- 315 S6**  
 Rated power **75** kW **S1** duty  
 Speed **985** r.p.m  
 Voltage **400 / 690** V  
 Frequency **50** Hz  
 Connection **Δ / Y**  
 Amps full load **136 / 78** A  
 Amps no-load(400V) **45,80** A  
 Enclosure **IP 55**  
 Insulation Class **F (temp. rise B (80 K))**

Max. coolant temp. **40°C**  
 Max. altitude **1.000** mtr, above sea level  
 Comment **3 x PTC 150°C**  
 Cable entries **2 x M63x1,5 + 1 x M20x1,5 (ptc)**

Feature **Cast-iron motor**  
 Weight **861** kg  
 Catalog no. **11036A75D**  
 Warranty **12~18 months**

Efficiency class **N/A**  
 Load data 100% 75% 50% 25%  
 Efficiency **93,5 93,0 91,4 85,9** %  
 Power factor **0,85 0,83 0,75 0,58**

Sound pressure level (1m) **70,3** dB(A)  
 Resistance R20 (open) **0,0581** Ω  
 Resistance R20 **Δ 0,0387** Ω

Full load torque **727,16** Nm  
 DOL Starting torque vs FL torque **1,80**  
 DOL Pull up torque vs FL torque **1,53**  
 DOL Pull out torque vs FL torque **2,92**  
 Star-Delta Starting torque vs FL torque **0,56**  
 Star-Delta Pull up torque vs FL torque **0,48**  
 Star-Delta Pull out torque vs FL torque **0,91**  
 DOL Starting current vs FL current **5,97**  
 Star Delta Starting current vs FL current **1,87**  
 Rotor Inertia **3,940** kgm<sup>2</sup>

Bearing DE **6319 - C3 or NU319**  
 Bearing NDE **6319 - C3 (IM V1 7319B)**

|  |
|--|
|  |
|  |
|  |
|  |
|  |
|  |
|  |
|  |

|   |        |   |                      |
|---|--------|---|----------------------|
| WI  | Change | date                                      | sign.                |
|   |        |   |                      |
| <b>Dutchi Motors B.V.</b><br>P.O. Box 5390<br>NL-6802 EJ ARNHEM<br>Tel : +31-(0)26 - 3541 600<br>Fax : +31-(0)26 - 3541 650 |        | Discription<br>Drawing made by : 27-04-04 | date<br>sign.<br>HVD |
| dutchi.motors@dutchi.nl<br>www.dutchi.com   |        |   |                      |