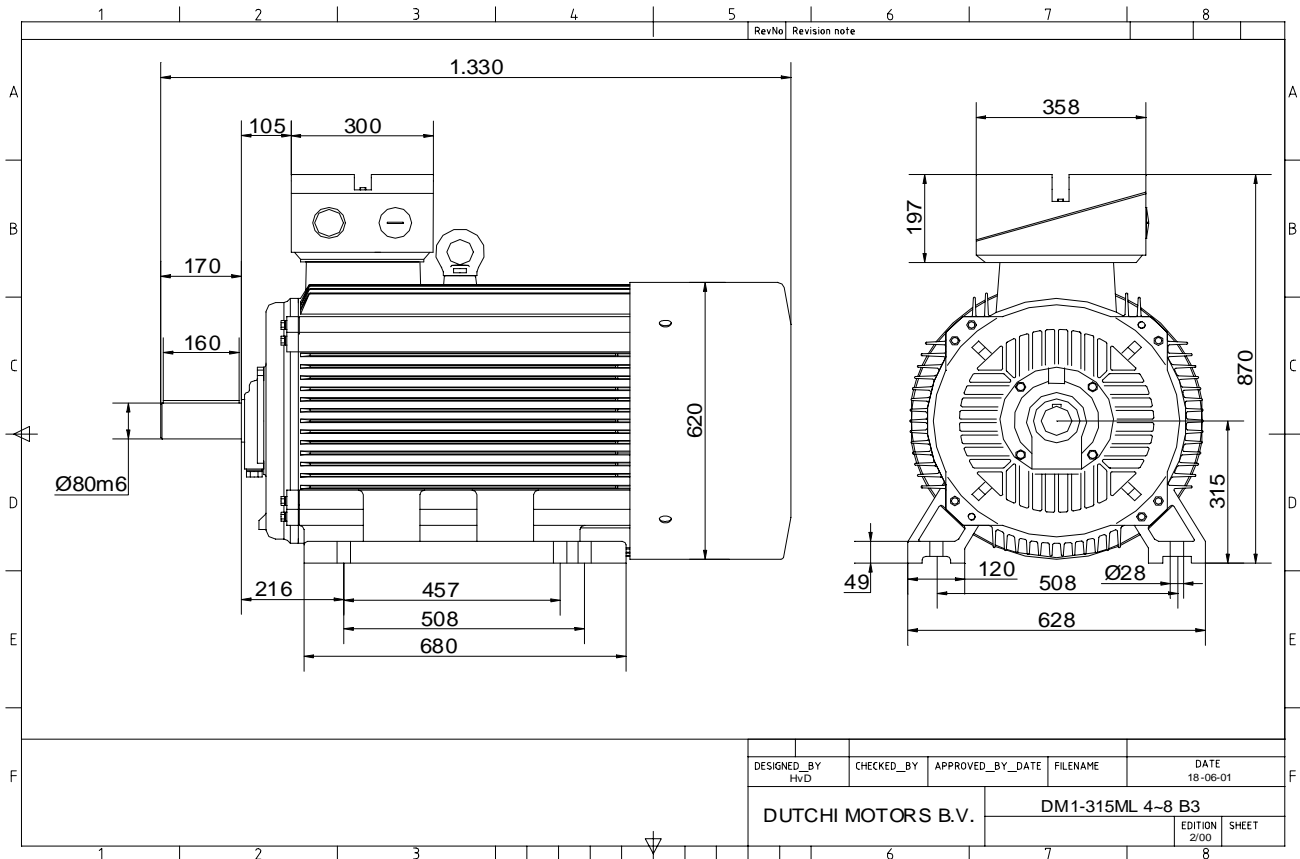


Power is our commodity, the world is our market !



Specification **IEC 60034-1**
 Manufacturer **Dutchi Motors B.V.**
 Motor type **DM1- 315 M6**
 Rated power **90** kW **S1** duty
 Speed **990** r.p.m
 Voltage **400 / 690** V
 Frequency **50** Hz
 Connection **Δ / Y**
 Amps full load **163 / 94** A
 Amps no-load(400V) **53,30** A
 Enclosure **IP 55**
 Insulation Class **F (temp. rise B (80 K))**

Max. coolant temp. **40°C**
 Max. altitude **1.000** mtr, above sea level
 Comment **3 x PTC 150°C**
 Cable entries **2 x M63x1,5 + 1 x M20x1,5 (ptc)**

Feature **Cast-iron motor**
 Weight **940** kg
 Catalog no. **11136A90D**
 Warranty **12~18 months**

Efficiency class **N/A**
 Load data 100% 75% 50% 25%
 Efficiency **93,9 93,6 92,4 87,8** %
 Power factor **0,85 0,83 0,77 0,58**

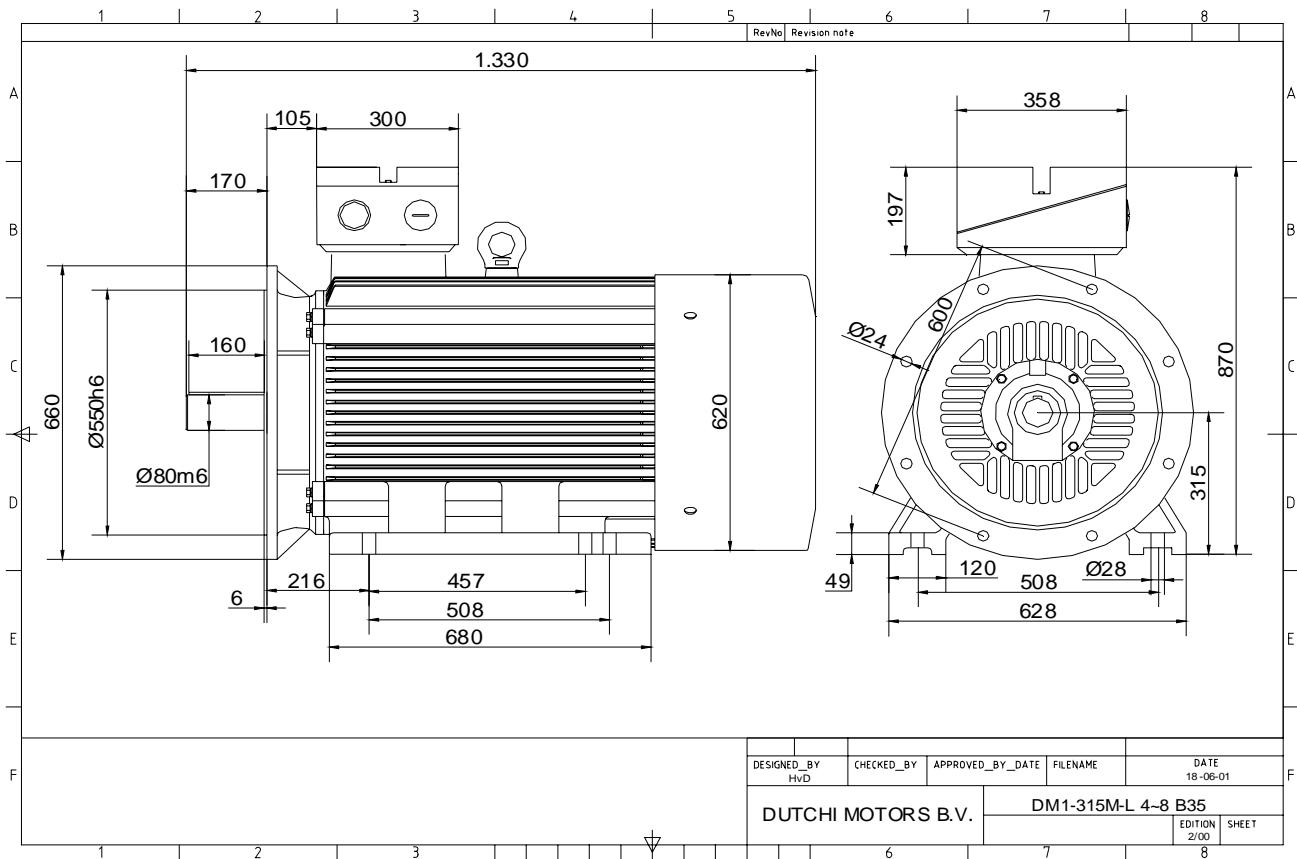
Sound pressure level (1m) **70,8** dB(A)
 Resistance R20 (open) **0,0440** Ω
 Resistance R20 **Δ 0,0293** Ω

Full load torque **868** Nm
 DOL Starting torque vs FL torque **1,99**
 DOL Pull up torque vs FL torque **1,45**
 DOL Pull out torque vs FL torque **2,79**
 Star-Delta Starting torque vs FL torque **0,62**
 Star-Delta Pull up torque vs FL torque **0,45**
 Star-Delta Pull out torque vs FL torque **0,87**
 DOL Starting current vs FL current **6,01**
 Star Delta Starting current vs FL current **1,88**
 Rotor Inertia **4,5800** kgm²

Bearing DE **6319 - C3 or NU319**
 Bearing NDE **6319 - C3 (IM V1 7319B)**

WI	Change	date	sign.
Dutchi Motors B.V.		Description	date
P.O. Box 5390		Drawing made by :	27-04-04
NL-6802 EJ ARNHEM			
Tel : +31-(0)26 - 3541 600		dutchi.motors@dutchi.nl	
Fax : +31-(0)26 - 3541 650		www.dutchi.com	

Power is our commodity, the world is our market !

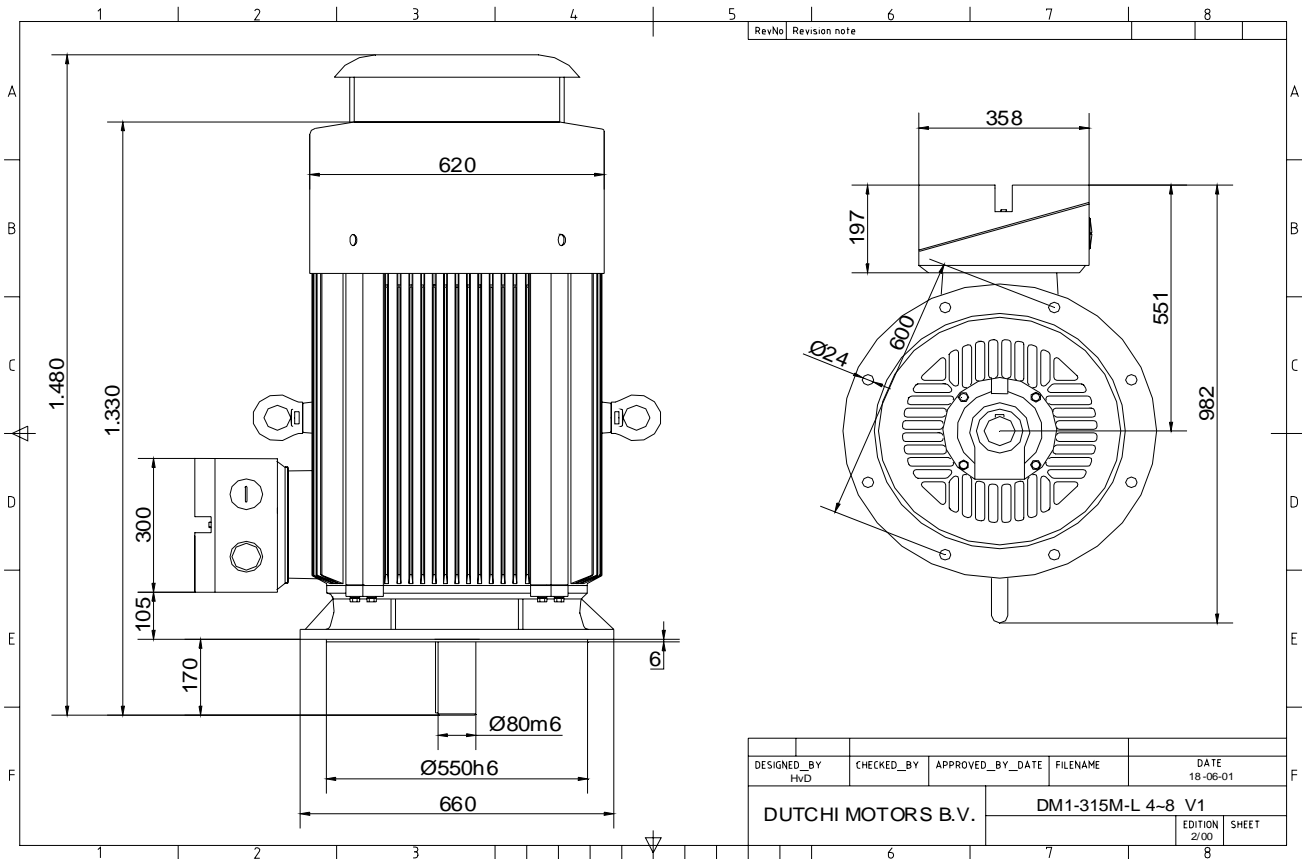


Specification	IEC 60034-1
Manufacturer	Dutchi Motors B.V.
Motor type	DM1- 315 M6
Rated power	90 kW S1 duty
Speed	990 r.p.m
Voltage	400 / 690 V
Frequency	50 Hz
Connection	Δ / Y
Amps full load	163 / 94 A
Amps no-load(400V)	53,30 A
Enclosure	IP 55
Insulation Class	F (temp. rise B (80 K))
Max. coolant temp.	40°C
Max. altitude	1.000 mtr, above sea level
Comment	3 x PTC 150°C
Cable entries	2 x M63x1,5 + 1 x M20x1,5 (ptc)
Feature	Cast-iron motor
Weight	940 kg
Catalog no.	11536A90D
Warranty	12~18 months

Efficiency class	N/A			
Load data	100%	75%	50%	25%
Efficiency	93,9	93,6	92,4	87,8 %
Power factor	0,85	0,83	0,77	0,58
Sound pressure level (1m)				70,8 dB(A)
Resistance R20 (open)				0,0440 Ω
Resistance R20	Δ			0,0293 Ω
Full load torque				868 Nm
DOL Starting torque vs FL torque				1,99
DOL Pull up torque vs FL torque				1,45
DOL Pull out torque vs FL torque				2,79
Star-Delta Starting torque vs FL torque				0,62
Star-Delta Pull up torque vs FL torque				0,45
Star-Delta Pull out torque vs FL torque				0,87
DOL Starting current vs FL current				6,01
Star Delta Starting current vs FL current				1,88
Rotor Inertia				4,5800 kgm ²
Bearing DE				6319 - C3 or NU319
Bearing NDE				6319 - C3 (IM V1 7319B)

WI	Change	date	sign.
Dutchi Motors B.V. P.O. Box 5390 NL-6802 EJ ARNHEM Tel : +31-(0)26 - 3541 600 Fax : +31-(0)26 - 3541 650		Description	date
		Drawing made by :	27-04-04
		dutchi.motors@dutchi.nl www.dutchi.com	

Power is our commodity, the world is our market !



Specification **IEC 60034-1**
 Manufacturer **Dutchi Motors B.V.**
 Motor type **DM1- 315 M6**
 Rated power **90** kW **S1** duty
 Speed **990** r.p.m
 Voltage **400** / **690** V
 Frequency **50** Hz
 Connection **Δ** / **Y**
 Amps full load **163** / **94** A
 Amps no-load(400V) **53,30** A
 Enclosure **IP 55**
 Insulation Class **F (temp. rise B (80 K))**

Max. coolant temp. **40°C**
 Max. altitude **1.000** mtr, above sea level
 Comment **3 x PTC 150°C**
 Cable entries **2 x M63x1,5 + 1 x M20x1,5 (ptc)**

Feature **Cast-iron motor**
 Weight **940** kg
 Catalog no. **11036A90D**
 Warranty **12~18 months**

Efficiency class **N/A**
 Load data 100% 75% 50% 25%
 Efficiency **93,9 93,6 92,4 87,8** %
 Power factor **0,85 0,83 0,77 0,58**

Sound pressure level (1m) **70,8** dB(A)
 Resistance R20 (open) **0,0440** Ω
 Resistance R20 **Δ 0,0293** Ω

Full load torque **868** Nm
 DOL Starting torque vs FL torque **1,99**
 DOL Pull up torque vs FL torque **1,45**
 DOL Pull out torque vs FL torque **2,79**
 Star-Delta Starting torque vs FL torque **0,62**
 Star-Delta Pull up torque vs FL torque **0,45**
 Star-Delta Pull out torque vs FL torque **0,87**
 DOL Starting current vs FL current **6,01**
 Star Delta Starting current vs FL current **1,88**
 Rotor Inertia **4,5800** kgm²

Bearing DE **6319 - C3 or NU319**
 Bearing NDE **6319 - C3 (IM V1 7319B)**

WI	Change	date	sign.
Dutchi Motors B.V. P.O. Box 5390 NL-6802 EJ ARNHEM Tel : +31-(0)26 - 3541 600 Fax : +31-(0)26 - 3541 650	Discription	date	sign.
	Drawing made by :	27-04-04	HvD
	dutchi.motors@dutchi.nl www.dutchi.com		