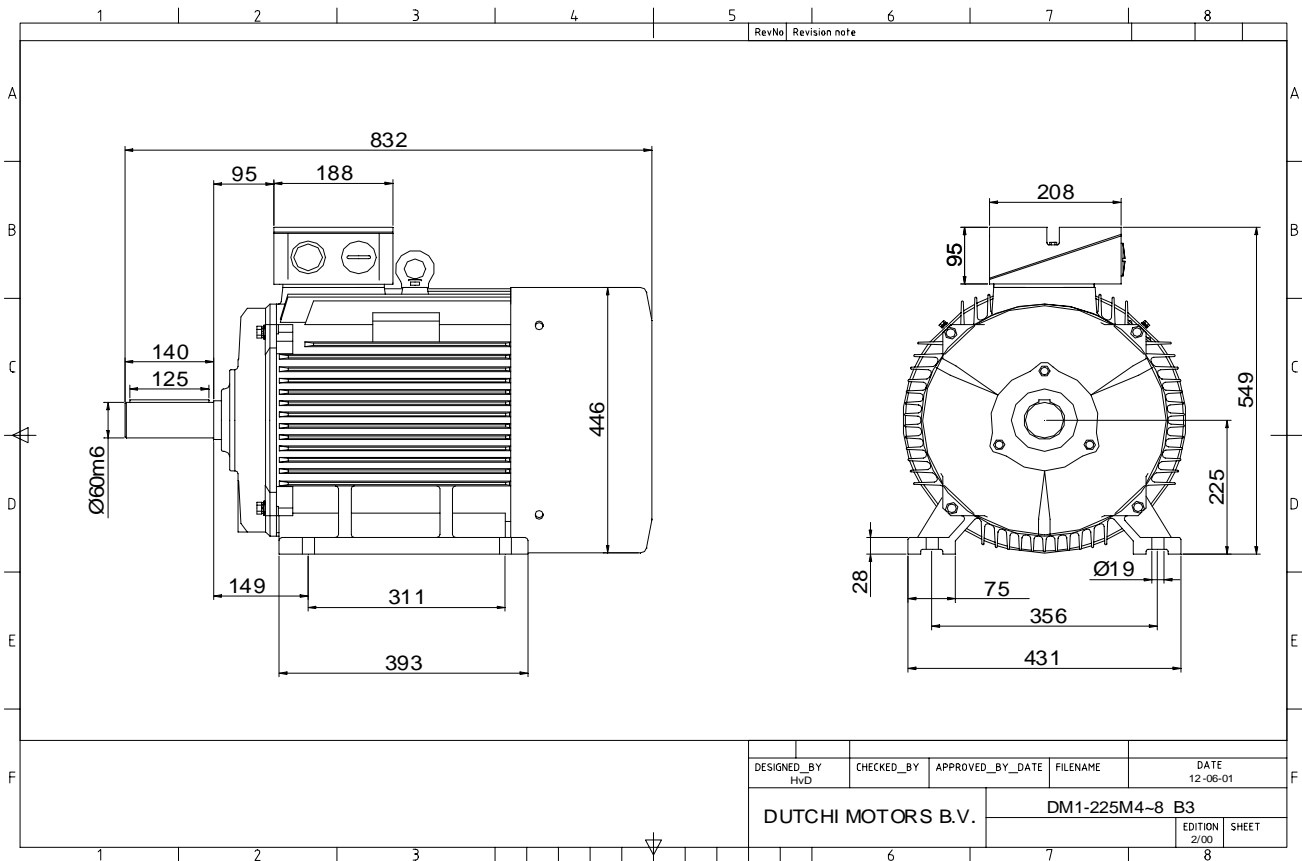


Power is our commodity, the world is our market !



Specification **IEC 60034-1**  
 Manufacturer **Dutchi Motors B.V.**  
 Motor type **DM1- 225 M6**  
 Rated power **30** kW **S1** duty  
 Speed **980** r.p.m  
 Voltage **400** / **690** V  
 Frequency **50** Hz  
 Connection **Δ** / **Y**  
 Amps full load **57,5** / **33,2** A  
 Amps no-load(400V) **22,40** A  
 Enclosure **IP 55**  
 Insulation Class **F (temp. rise B (80 K))**

Max. coolant temp. **40°C**  
 Max. altitude **1.000** mtr, above sea level  
 Comment **3 x PTC 150°C**  
 Cable entries **2 x M50x1,5 + 1 x M20x1,5 (ptc)**

Feature **Cast-iron motor**  
 Weight **292** kg  
 Catalog no. **11136A30D**  
 Warranty **12~18 months**

Efficiency class **N/A**  
 Load data 100% 75% 50% 25%  
 Efficiency **91,6 91,6 90,3 84,6** %  
 Power factor **0,82 0,80 0,72 0,50**

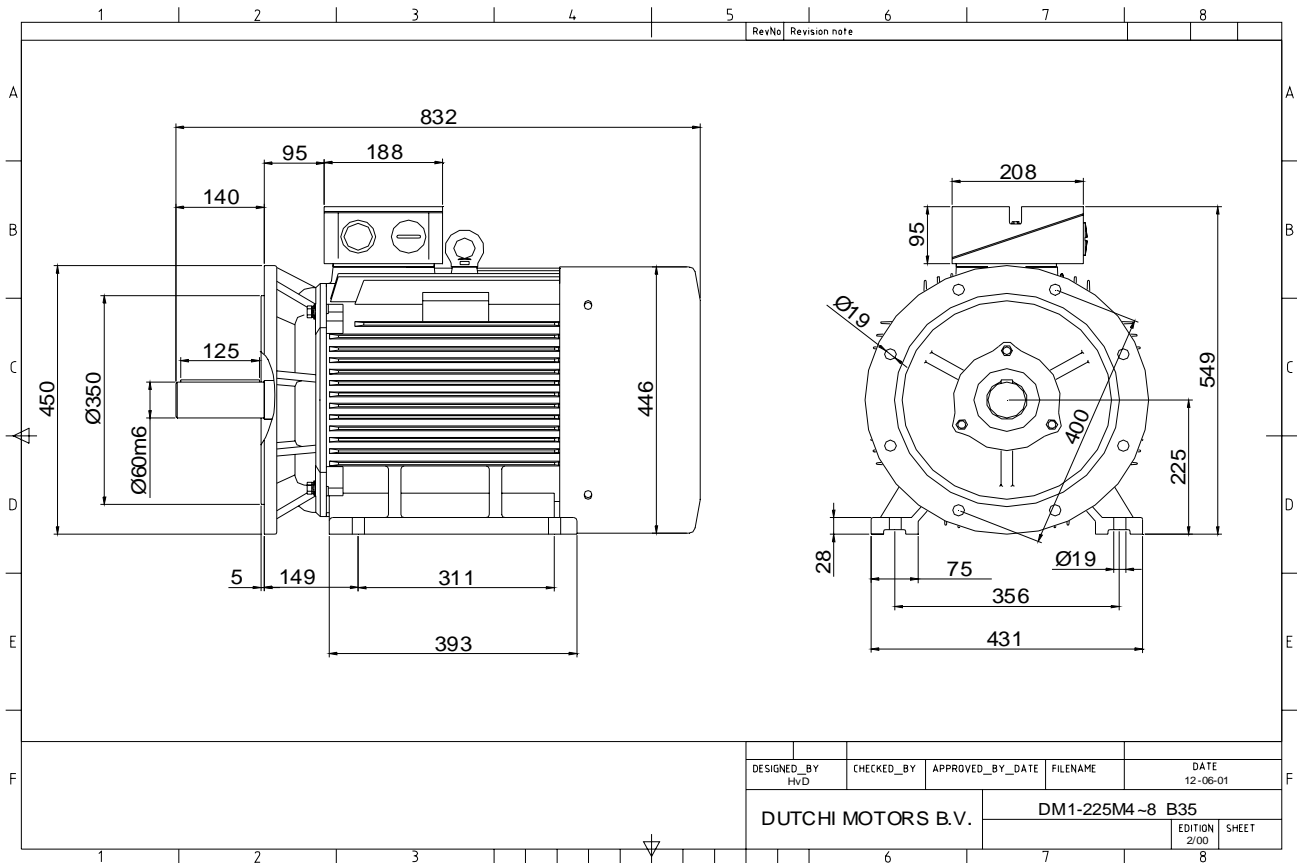
Sound pressure level (1m) **66,5** dB(A)  
 Resistance R20 (open) **0,234** Ω  
 Resistance R20 **Δ 0,156** Ω

Full load torque **292,35** Nm  
 DOL Starting torque vs FL torque **1,89**  
 DOL Pull up torque vs FL torque **1,39**  
 DOL Pull out torque vs FL torque **2,86**  
 Star-Delta Starting torque vs FL torque **0,59**  
 Star-Delta Pull up torque vs FL torque **0,44**  
 Star-Delta Pull out torque vs FL torque **0,89**  
 DOL Starting current vs FL current **6,23**  
 Star Delta Starting current vs FL current **1,95**  
 Rotor Inertia **0,5250** kgm<sup>2</sup>

Bearing DE **6313 - ZZ C3**  
 Bearing NDE **6313 - ZZ C3**


WI	Change	date	sign.
Dutchi Motors B.V.		Description	date
P.O. Box 5390		Drawing made by :	27-04-04
NL-6802 EJ ARNHEM			
Tel : +31-(0)26 - 3541 600		dutchi.motors@dutchi.nl	
Fax : +31-(0)26 - 3541 650		www.dutchi.com	

Power is our commodity, the world is our market !



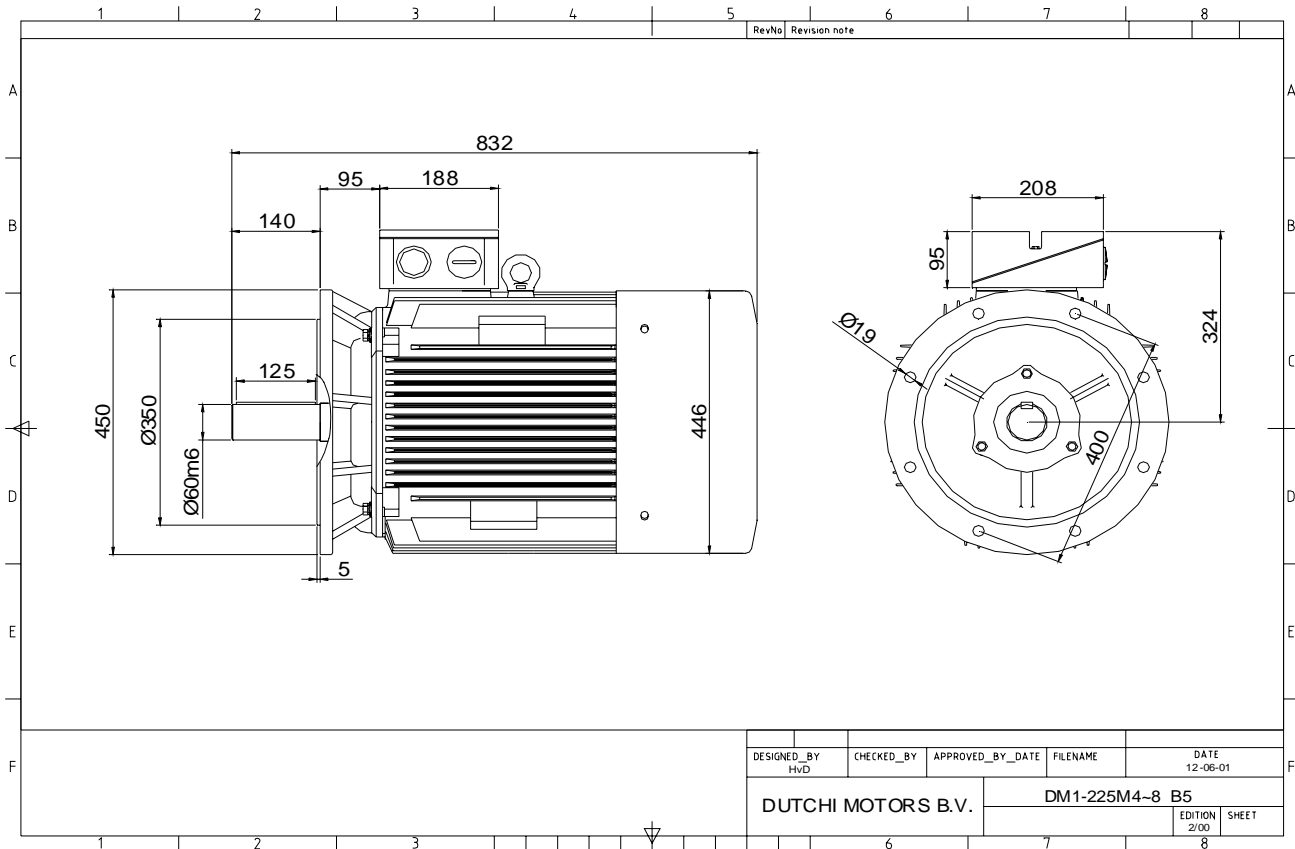
DESIGNED BY HVD	CHECKED BY	APPROVED BY DATE	FILENAME	DATE 12-06-01
DUTCHI MOTORS B.V.			DM1-225M4 ~8 B35	EDITION 2/00
				SHEET

Specification	<b>IEC 60034-1</b>
Manufacturer	<b>Dutchi Motors B.V.</b>
Motor type	<b>DM1- 225 M6</b>
Rated power	<b>30</b> kW <b>S1</b> duty
Speed	<b>980</b> r.p.m
Voltage	<b>400 / 690</b> V
Frequency	<b>50</b> Hz
Connection	<b>Δ / Y</b>
Amps full load	<b>57,5 / 33,2</b> A
Amps no-load(400V)	<b>22,40</b> A
Enclosure	<b>IP 55</b>
Insulation Class	<b>F (temp. rise B (80 K))</b>
Max. coolant temp.	<b>40°C</b>
Max. altitude	<b>1.000</b> mtr, above sea level
Comment	<b>3 x PTC 150°C</b>
Cable entries	<b>2 x M50x1,5 + 1 x M20x1,5 (ptc)</b>
Feature	<b>Cast-iron motor</b>
Weight	<b>292</b> kg
Catalog no.	<b>11236A30D</b>
Warranty	<b>12~18 months</b>

Efficiency class	<b>N/A</b>			
Load data	100%	75%	50%	25%
Efficiency	<b>91,6</b>	<b>91,6</b>	<b>90,3</b>	<b>84,6</b> %
Power factor	<b>0,82</b>	<b>0,80</b>	<b>0,72</b>	<b>0,50</b>
Sound pressure level (1m)				<b>66,5</b> dB(A)
Resistance R20 (open)				<b>0,234</b> Ω
Resistance R20	<b>Δ</b>			<b>0,156</b> Ω
Full load torque				<b>292,35</b> Nm
DOL Starting torque vs FL torque				<b>1,89</b>
DOL Pull up torque vs FL torque				<b>1,39</b>
DOL Pull out torque vs FL torque				<b>2,86</b>
Star-Delta Starting torque vs FL torque				<b>0,59</b>
Star-Delta Pull up torque vs FL torque				<b>0,44</b>
Star-Delta Pull out torque vs FL torque				<b>0,89</b>
DOL Starting current vs FL current				<b>6,23</b>
Star Delta Starting current vs FL current				<b>1,95</b>
Rotor Inertia				<b>0,5250</b> kgm <sup>2</sup>
Bearing DE				<b>6313 - ZZ C3</b>
Bearing NDE				<b>6313 - ZZ C3</b>


WI	Change	date	sign.
<b>Dutchi Motors B.V.</b> P.O. Box 5390 NL-6802 EJ ARNHEM Tel : +31-(0)26 - 3541 600 Fax : +31-(0)26 - 3541 650		Discription Drawing made by :	date 27-04-04
dutchi.motors@dutchi.nl www.dutchi.com		sign. Hvd	

Power is our commodity, the world is our market !

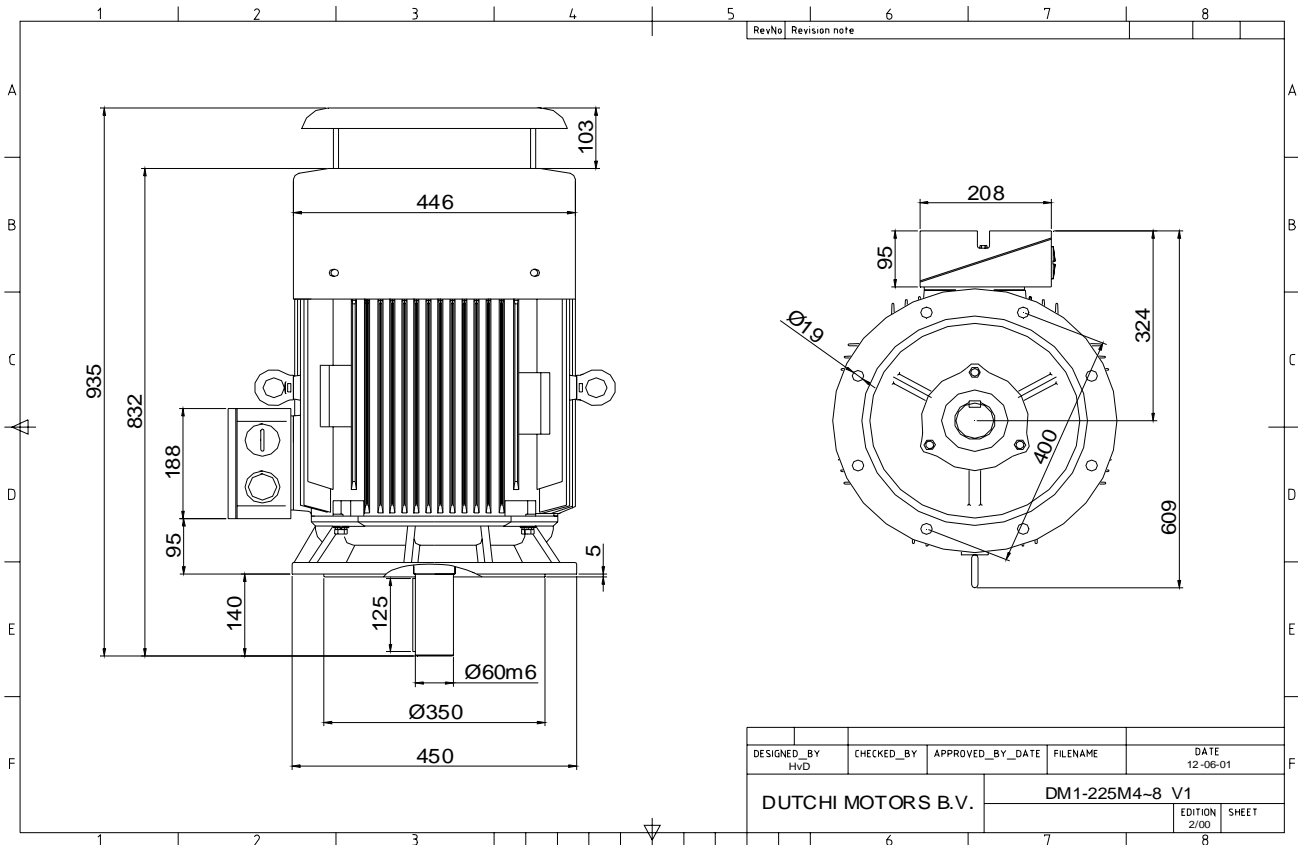


Specification	<b>IEC 60034-1</b>
Manufacturer	<b>Dutchi Motors B.V.</b>
Motor type	<b>DM1- 225 M6</b>
Rated power	<b>30</b> kW <b>S1</b> duty
Speed	<b>980</b> r.p.m
Voltage	<b>400 / 690</b> V
Frequency	<b>50</b> Hz
Connection	<b>Δ / Y</b>
Amps full load	<b>57,5 / 33,2</b> A
Amps no-load(400V)	<b>22,40</b> A
Enclosure	<b>IP 55</b>
Insulation Class	<b>F (temp. rise B (80 K))</b>
Max. coolant temp.	<b>40°C</b>
Max. altitude	<b>1.000</b> mtr, above sea level
Comment	<b>3 x PTC 150°C</b>
Cable entries	<b>2 x M50x1,5 + 1 x M20x1,5 (ptc)</b>
Feature	<b>Cast-iron motor</b>
Weight	<b>292</b> kg
Catalog no.	<b>11536A30D</b>
Warranty	<b>12~18 months</b>

Efficiency class	<b>N/A</b>			
Load data	100%	75%	50%	25%
Efficiency	<b>91,6</b>	<b>91,6</b>	<b>90,3</b>	<b>84,6</b> %
Power factor	<b>0,82</b>	<b>0,80</b>	<b>0,72</b>	<b>0,50</b>
Sound pressure level (1m)				<b>66,5</b> dB(A)
Resistance R20 (open)				<b>0,234</b> Ω
Resistance R20	<b>Δ</b>			<b>0,156</b> Ω
Full load torque				<b>292,35</b> Nm
DOL Starting torque vs FL torque				<b>1,89</b>
DOL Pull up torque vs FL torque				<b>1,39</b>
DOL Pull out torque vs FL torque				<b>2,86</b>
Star-Delta Starting torque vs FL torque				<b>0,59</b>
Star-Delta Pull up torque vs FL torque				<b>0,44</b>
Star-Delta Pull out torque vs FL torque				<b>0,89</b>
DOL Starting current vs FL current				<b>6,23</b>
Star Delta Starting current vs FL current				<b>1,95</b>
Rotor Inertia				<b>0,5250</b> kgm <sup>2</sup>
Bearing DE				<b>6313 - ZZ C3</b>
Bearing NDE				<b>6313 - ZZ C3</b>


WI	Change	date	sign.
<b>Dutchi Motors B.V.</b> P.O. Box 5390 NL-6802 EJ ARNHEM Tel : +31-(0)26 - 3541 600 Fax : +31-(0)26 - 3541 650		Discription Drawing made by :	date sign. HvD
dutchi.motors@dutchi.nl www.dutchi.com		27-04-04	

Power is our commodity, the world is our market !



Specification **IEC 60034-1**  
 Manufacturer **Dutchi Motors B.V.**  
 Motor type **DM1- 225 M6**  
 Rated power **30** kW **S1** duty  
 Speed **980** r.p.m  
 Voltage **400 / 690** V  
 Frequency **50** Hz  
 Connection **Δ / Y**  
 Amps full load **57,5 / 33,2** A  
 Amps no-load(400V) **22,40** A  
 Enclosure **IP 55**  
 Insulation Class **F (temp. rise B (80 K))**

Max. coolant temp. **40°C**  
 Max. altitude **1.000** mtr, above sea level  
 Comment **3 x PTC 150°C**  
 Cable entries **2 x M50x1,5 + 1 x M20x1,5 (ptc)**

Feature **Cast-iron motor**  
 Weight **292** kg  
 Catalog no. **11036A30D**  
 Warranty **12~18 months**

Efficiency class **N/A**  
 Load data 100% 75% 50% 25%  
 Efficiency **91,6 91,6 90,3 84,6** %  
 Power factor **0,82 0,80 0,72 0,50**

Sound pressure level (1m) **66,5** dB(A)  
 Resistance R20 (open) **0,234** Ω  
 Resistance R20 **Δ 0,156** Ω

Full load torque **292,35** Nm  
 DOL Starting torque vs FL torque **1,89**  
 DOL Pull up torque vs FL torque **1,39**  
 DOL Pull out torque vs FL torque **2,86**  
 Star-Delta Starting torque vs FL torque **0,59**  
 Star-Delta Pull up torque vs FL torque **0,44**  
 Star-Delta Pull out torque vs FL torque **0,89**  
 DOL Starting current vs FL current **6,23**  
 Star Delta Starting current vs FL current **1,95**  
 Rotor Inertia **0,5250** kgm<sup>2</sup>

Bearing DE **6313 - ZZ C3**  
 Bearing NDE **6313 - ZZ C3**


WI	Change	date	sign.
<b>Dutchi Motors B.V.</b> P.O. Box 5390 NL-6802 EJ ARNHEM Tel : +31-(0)26 - 3541 600 Fax : +31-(0)26 - 3541 650		Discription Drawing made by : 27-04-04	date sign. HVD
dutchi.motors@dutchi.nl www.dutchi.com			